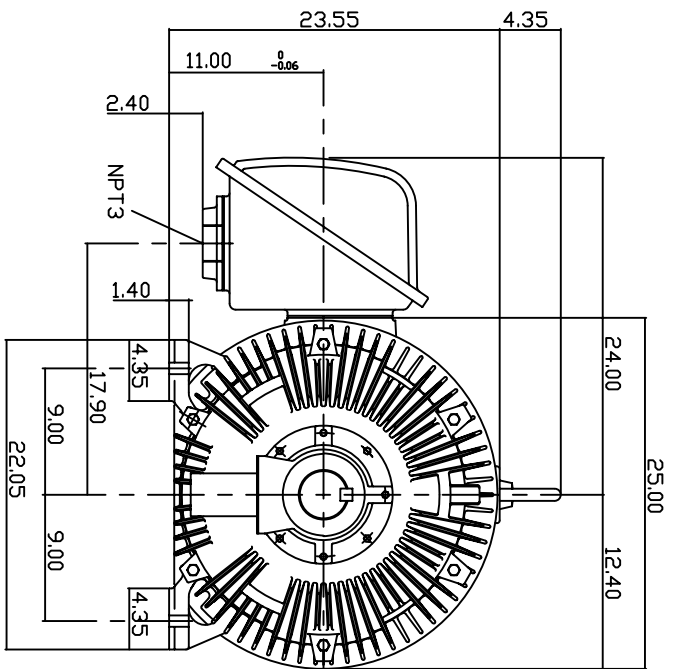
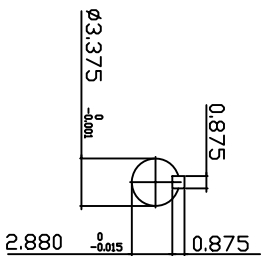
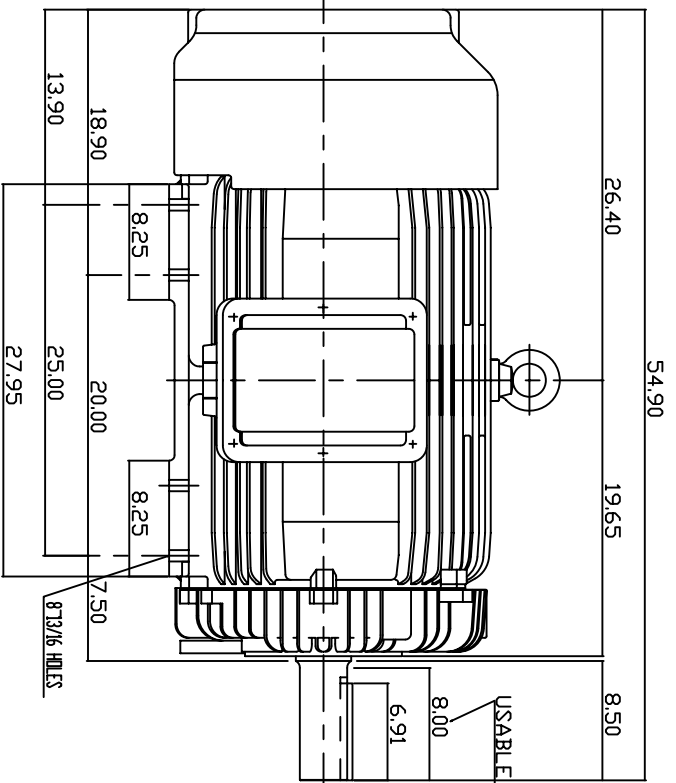


TYPE	OUTPUT		POLE	TIME RATING	VOLTAGE	Hz	SYN SPEED R.P.M
	HP.	KW.					
AEH8N	250	186.5	6		460	60	1200

TOTALLY ENCLOSED FAN-COOLED TYPE, SQUIRREL-CAGE ROTOR



NOTE:

1. DIMENSIONS IN INCH
2. FRAME NO. 449T
3. F CLASS INSULATION, S.F.115
4. FOR BELTED SERVICE
5. ENCLOSURE: IP54
6. BEARING SIZE: DRIVE END: NU320  
NON-DRIVE END: 6316
7. APPROX. WEIGHT: 3450 LBS

TW-56C

DWN.	J. WANG	JAN -28 -2005
CHKD.	H. HUANG	JAN -28 -2005
APPD.	C. WANG	JAN -28 -2005

DATE 20050616  
CATALOG # EP2506R

OUTLINE DIMENSIONS  
3-PHASE INDUCTION MOTOR



DWG NO. 3A040Y647  
REV. 00

# TECO Westinghouse

ISSUED <b>12/5/2014</b>	<b>PERFORMANCE DATA</b> <b>3-PHASE INDUCTION MOTOR</b>	ENCLOSURE <b>TEFC</b>
TYPE <b>AEHH8N</b>		CATALOG# <b>EP2504R</b>

### NAMEPLATE INFORMATION

OUTPUT		POLE	FRAME SIZE	VOLTAGE	HZ	RATED AMBIENT	INS. CLASS	NEMA DESIGN	TIME RATING	SERVICE FACTOR
HP	KW									
<b>250</b>	<b>186.5</b>	<b>4</b>	<b>449T</b>	<b>460</b>	<b>60</b>	<b>40°C</b>	<b>F</b>	<b>B</b>	<b>CONT.</b>	<b>1.15</b>

### VARIABLE FREQUENCY DRIVE SERVICE

VARIABLE TORQUE				OHMS/PHASE EQUIVALENT WYE CIRCUIT (AT RATED OPERATING TEMPERATURE 25°C)				
HZ	HP	RPM	TORQUE (lb-ft)	R1	R2	X1	X2	X <sub>m</sub>
<b>3~60</b>	<b>0.0313~250</b>	<b>90~1800</b>	<b>1.826~734</b>	<b>0.0179</b>	<b>0.018</b>	<b>0.76</b>	<b>0.3753</b>	<b>9.6</b>

CONSTANT TORQUE				CONSTANT HORSEPOWER			
HZ	HP	RPM	TORQUE (lb-ft)	HZ	HP	RPM	TORQUE (lb-ft)
<b>6~60</b>	<b>25~250</b>	<b>180~1800</b>	<b>734</b>	<b>60~90</b>	<b>250</b>	<b>1800~2700</b>	<b>734~489.33</b>

### TYPICAL PERFORMANCE

FULL LOAD RPM	EFFICIENCY				POWER FACTOR			SOUND PRESSURE LEVEL @ 3 FT Db(A)
	FULL LOAD		3/4 LOAD %	1/2 LOAD %	FULL LOAD %	3/4 LOAD %	1/2 LOAD %	
	MIN.%	NOM.%						
<b>1787</b>	<b>95.4</b>	<b>96.2</b>	<b>95.8</b>	<b>95</b>	<b>88</b>	<b>84.5</b>	<b>80</b>	<b>81</b>

CURRENTS			NEMA KVA CODE LETTER	SAFE STALL TIME IN SECONDS		
NO LOAD	FULL LOAD			LOCKED ROTOR	COLD	HOT
AT 460 VOLT	AT 460 VOLT	AT 460 VOLT				
<b>53.8</b>	<b>277.00</b>		<b>G</b>	<b>19</b>	<b>13</b>	

TORQUE				INERTIA			ACCEL TIME (DOL)		ALLOWABLE STARTS PER HOUR	
FULL LOAD (lb-ft)	LOCKED ROTOR %FLT	PULL UP %FLT	BREAK DOWN %FLT	ROTOR WR <sup>2</sup> (lb-ft <sup>2</sup> )	NEMA LOAD WK <sup>2</sup> (lb-ft <sup>2</sup> )	MAX ALLOWABLE WK <sup>2</sup> (lb-ft <sup>2</sup> )	NEMA LOAD WK <sup>2</sup> Sec	MAX ALLOWABLE WK <sup>2</sup> Sec	COLD	HOT
<b>734.00</b>	<b>110</b>	<b>90</b>	<b>210</b>	<b>83</b>	<b>1017</b>	<b>2034</b>	<b>5.49</b>	<b>10.57</b>	<b>2</b>	<b>1</b>

APPROVED:	<b>M. PRATER</b>	DRAWING NO.	<b>31057EP2504R</b>	REVISION:	<b>1</b>
-----------	------------------	-------------	---------------------	-----------	----------

DATE:  
December 2, 2005

# CONNECTION DIAGRAM

CATALOG NO.:  
EP2506R



**SCHEMATIC - Δ / Y CONNECTION**

## ACROSS THE LINE CONNECTION



**460 VOLT CONNECTION**

## WYE START-DELTA RUN CONNECTION



**LINE  
460 VOLT START**



**LINE  
460 VOLT RUN**