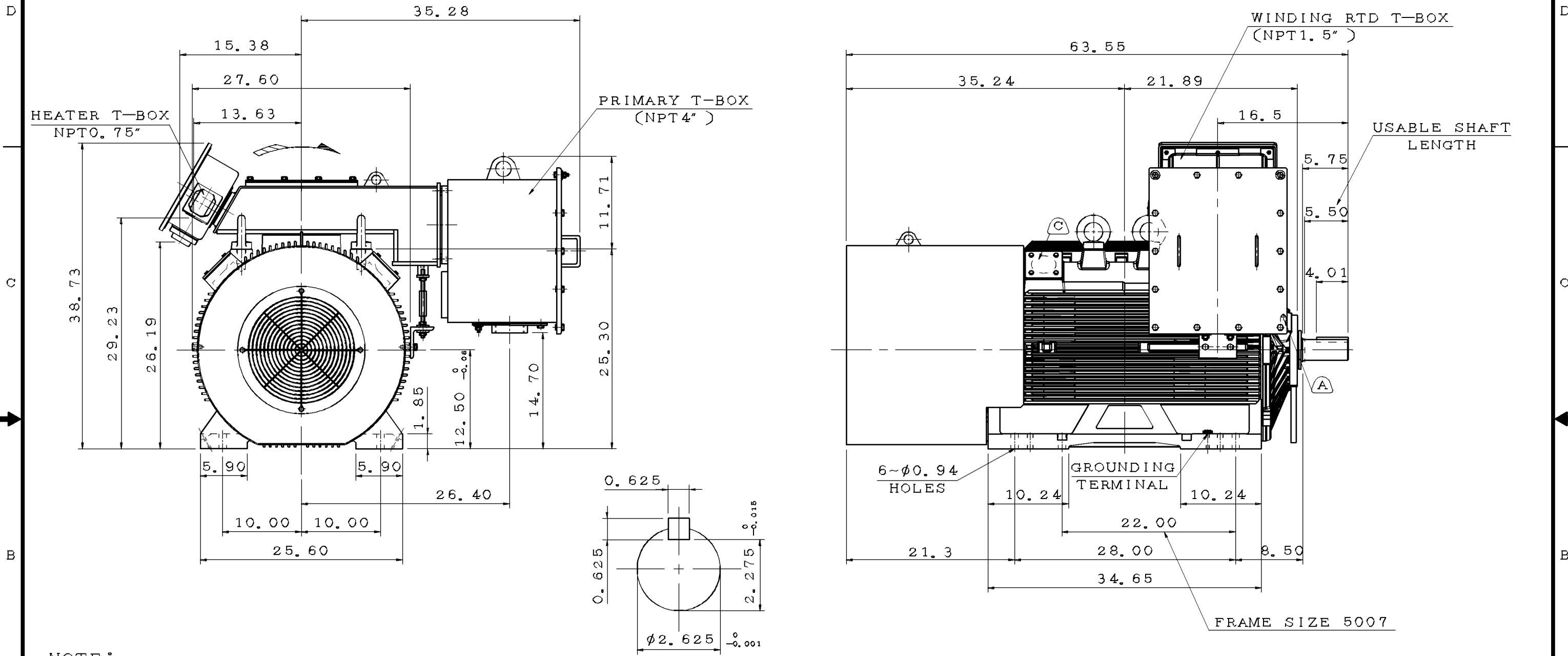


| TYPE | OUTPUT | | POLE | TIME RATING | VOLTAGE V | Hz | SYN. SPEED R. P. M |
|------|--------|-----|------|-------------|-----------|----|--------------------|
| | HP. | kW. | | | | | |
| AFHH | | | 2 | CONT. | | | |

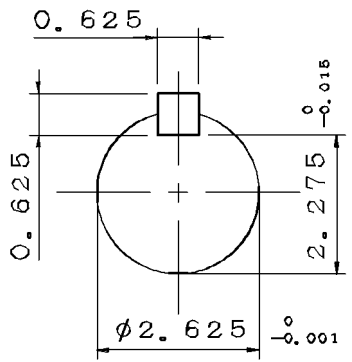
TOTALLY ENCLOSED FAN-COOLED TYPE. SQUIRREL-CAGE ROTOR



NOTE:

1. DIMENSIONS IN inch
2. FRAME NO. 5009A
3. F CLASS INSULATION
4. FOR DIRECT FLEXIBLE COUPLING
5. ENCLOSURE: IP55
6. BEARING SIZE: DRIVE-END 6315C3
OPP. DRIVE-END 6315C3
7. WITH SPACE HEATER & WINDING RTD
8. MOTOR APPROX. WEIGHT: 3900 lb

- (B) FOR BEARING RTD, END BRACKETS SHALL BE PRE-DRILLED AND PLUGGED.
- (C) FOR AUXILIARY, FRAME SHALL BE PRE-DRILLED AND COVERD WITH STEEL PLATE.



SHAFT END
(ENLARGED VIEW)

| | | |
|------|-------------------------|--|
| DATE | OUTLINE DIMENSIONS | |
| | 3-PHASE INDUCTION MOTOR | |

| | | |
|-------|----------|---------------|
| DWN. | L. JHENG | APR. 22. 2019 |
| CHKD. | H. WANG | APR. 23. 2019 |
| APPD. | C. WANG | APR. 23. 2019 |

TECO Westinghouse

DWG NO. 5A040C159 REV:01

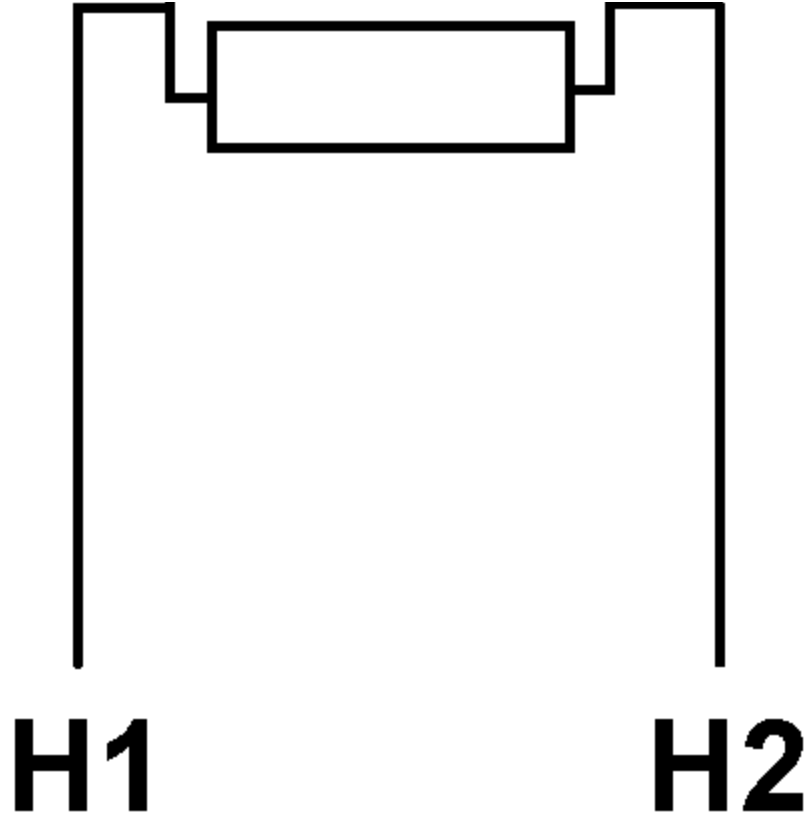
| | | |
|--------------------------|--|----------------------|
| ISSUED DEC. 20. 2018 | PERFORMANCE DATA 3-PHASE HIGH EFFICIENCY INDUCTION MOTORS LOW VOLTAGE SQUIRREL CAGE | MODEL AFHH |
| REVISED NOV. 22. 2019 | | 460V 60Hz |

| | |
|---------------------|--------------------|
| NEMA Premium | TEFC, 2P 460V 60HZ |
|---------------------|--------------------|

| OUTPUT HP | FULL LOAD RPM | FRAME NO. (EG) | EFFICIENCY | | | POWER FACTOR | | | CURRENT | | | TORQUE | | Safe Stall Time(s) | | ROTOR WR ² LB-FT ² | Max. Load WR ² LB-FT ² | APPROX. WEIGHT LBS |
|--------------|---------------------|----------------------|-------------------|------------------|------------------|-------------------|------------------|------------------|------------|---------------|---------------|---------------|-----------|-----------------------|-------------|--|--|--------------------------|
| | | | FULL LOAD % | 3/4 LOAD % | 1/2 LOAD % | FULL LOAD % | 3/4 LOAD % | 1/2 LOAD % | Rated A | Starting % | Starting A | Starting % | Max. % | HOT SEC | COLD SEC | | | |
| | | | | | | | | | | | | | | | | | | |
| 350 | 3578 | 5009A | 95.8 | 95.5 | 94.6 | 89.3 | 88.7 | 85.2 | 383 | 666 | 2550 | 120 | 220 | 23 | 31 | 53 | 284 | 3600 |
| 400 | 3579 | 5009A | 96.9 | 95.6 | 94.8 | 89.7 | 89.1 | 85.7 | 431 | 673 | 2900 | 120 | 220 | 21 | 28 | 59 | 308 | 3700 |
| 450 | 3578 | 5009A | 96.0 | 95.7 | 95.0 | 90.0 | 89.8 | 86.8 | 487 | 667 | 3250 | 120 | 220 | 21 | 27 | 65 | 355 | 3900 |
| 500 | 3577 | 5011A | 96.1 | 95.7 | 95.1 | 90.4 | 90.3 | 87.6 | 539 | 672 | 3625 | 120 | 220 | 20 | 27 | 72 | 379 | 4300 |
| 600 | 3578 | 5011A | 96.1 | 95.7 | 95.5 | 90.9 | 90.7 | 88.1 | 643 | 736 | 4730 | 120 | 220 | 18 | 24 | 88 | 450 | 4600 |
| 700 | 3580 | 5011A※ | 96.1 | 95.8 | 95.3 | 90.1 | 91.1 | 90.1 | 757 | 726 | 5500 | 120 | 220 | 15 | 23 | 92 | 497 | 4900 |
| 800 | 3585 | 5810A※ | 96.4 | 96.4 | 96.0 | 91.5 | 90.5 | 86.0 | 849 | 742 | 6300 | 120 | 230 | 19 | 25 | 187 | 568 | 6300 |

NOTE: 1 ACCORDING TO NEMA MG-1
 2P: RATINGS 500HP AND BELOW ARE PREMIUM EFFICIENCY.
 2 WITH "※" : COPPER ROTOR
 3 WITHOUT "※" : ALUMINUM ROTOR
 4 MULTIPLE MOUNTING DIMENSIONS FOR EACH FRAME NO.
 FRAME 5009: MOUNTING HOLE WITH 5009 & 5007
 FRAME 5011: MOUNTING HOLE WITH 5011, 5010 & 5009

| | | | | |
|-------|----------|---------------|--|------------|
| APPD. | B.LIN | NOV. 22. 2019 | TECO Electric & Machinery Co., Ltd. | DWG NO. |
| CHKD. | H.Y.WANG | NOV. 22. 2019 | | 3A057M286E |
| DWN. | H.F.KUO | NOV. 22. 2019 | | REV.03 1/4 |

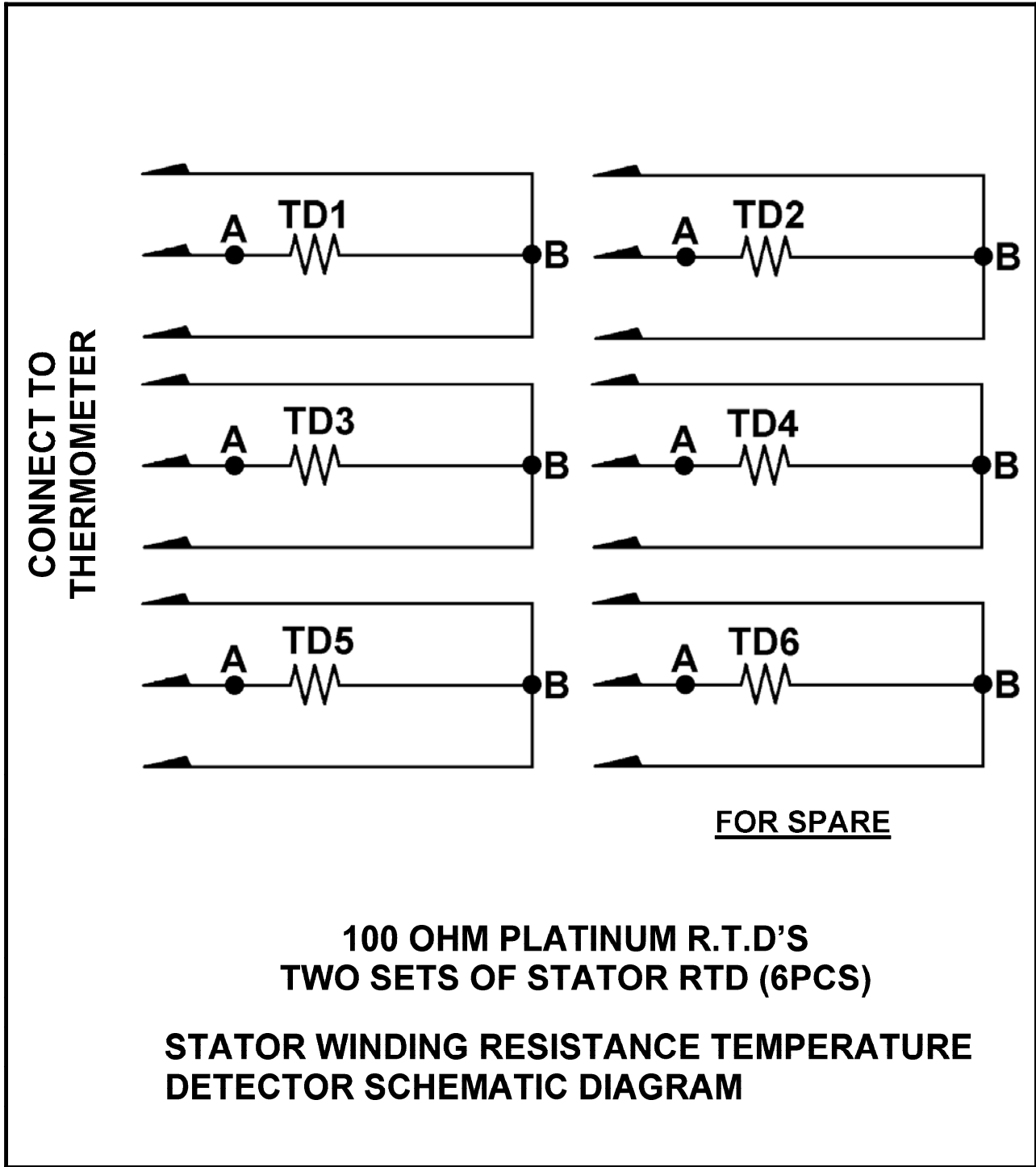


**120 VOLT SINGLE PHASE POWER SOURCE
SHOULD BE DE-ENERGIZED WHEN MOTOR IS IN OPERATION**

Parallel

SPACE HEATER SCHEMATIC DIAGRAM

| | | |
|-------|---------------------------|--------|
| DATE: | CONNECTION DIAGRAM | MODEL: |
| | | |

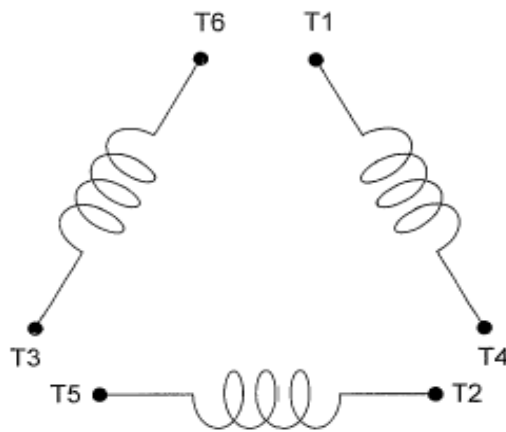


| | | | |
|-------|----------|---------------------------------|------------------|
| DWN. | 98-09-08 | TECO Westinghouse | DWG NO. REV:00 |
| CHKD. | 98-09-08 | | 3A040D098 |
| APPD. | 98-09-08 | | |

DATE:
April 8, 2020

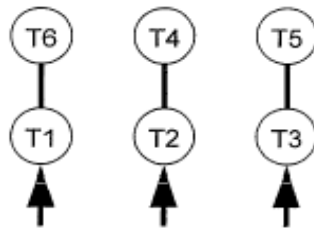
CONNECTION DIAGRAM

SERIES:
AFHH



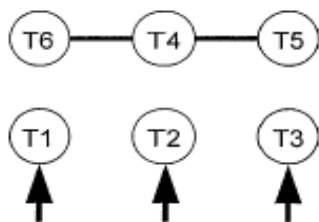
SCHEMATIC - Δ CONNECTION

ACROSS THE LINE CONNECTION

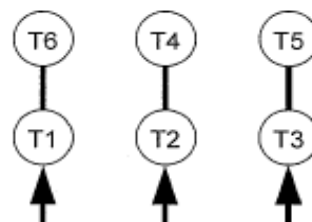


460 VOLT CONNECTION

WYE START-DELTA RUN CONNECTION



**LINE
460 VOLT START**



**LINE
460 VOLT RUN**