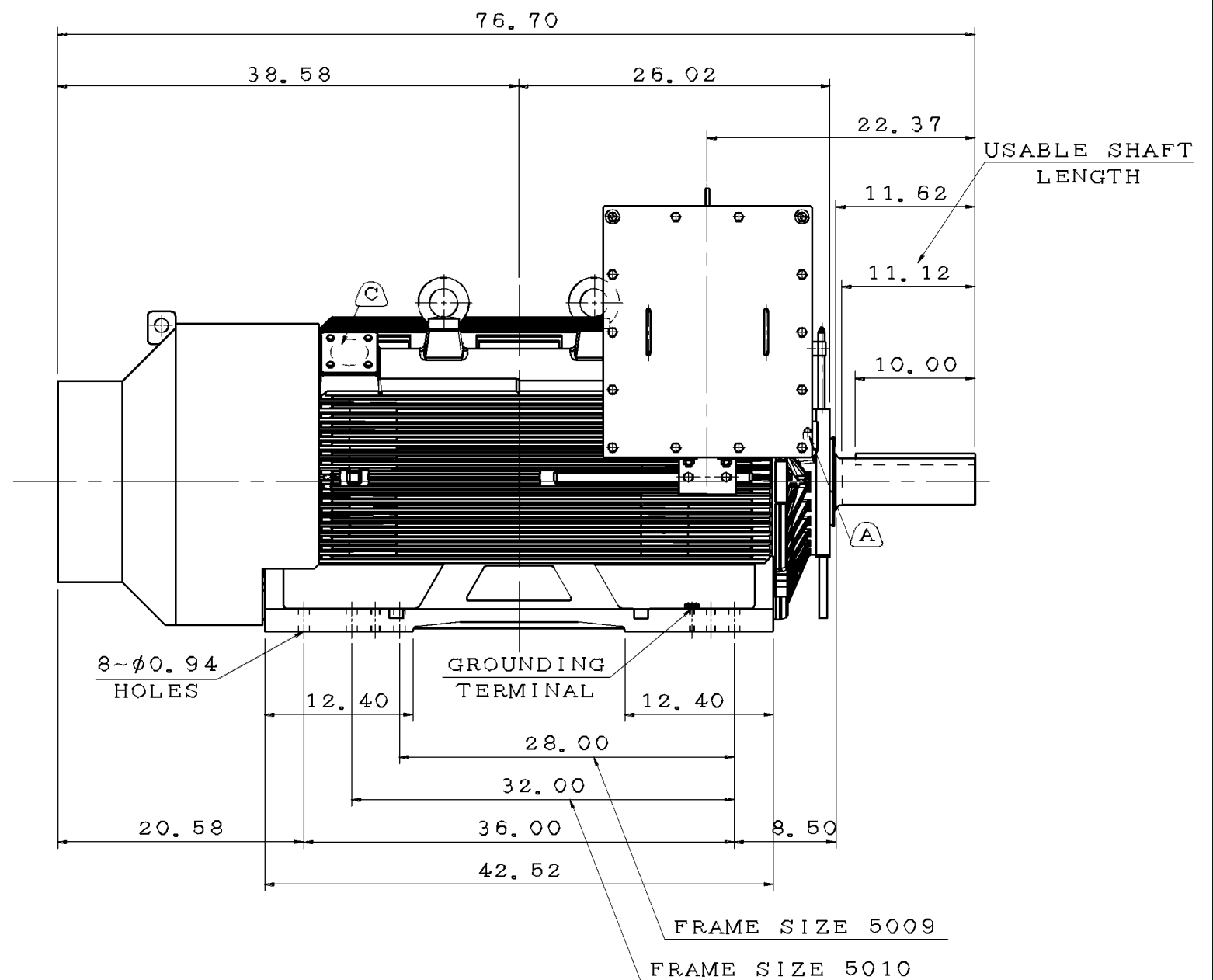
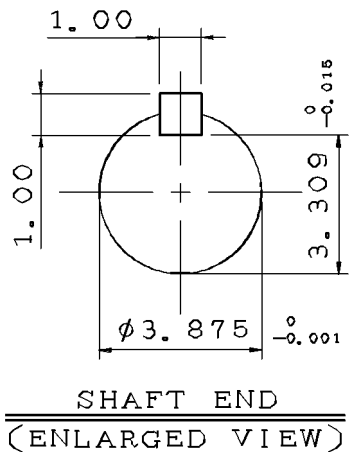
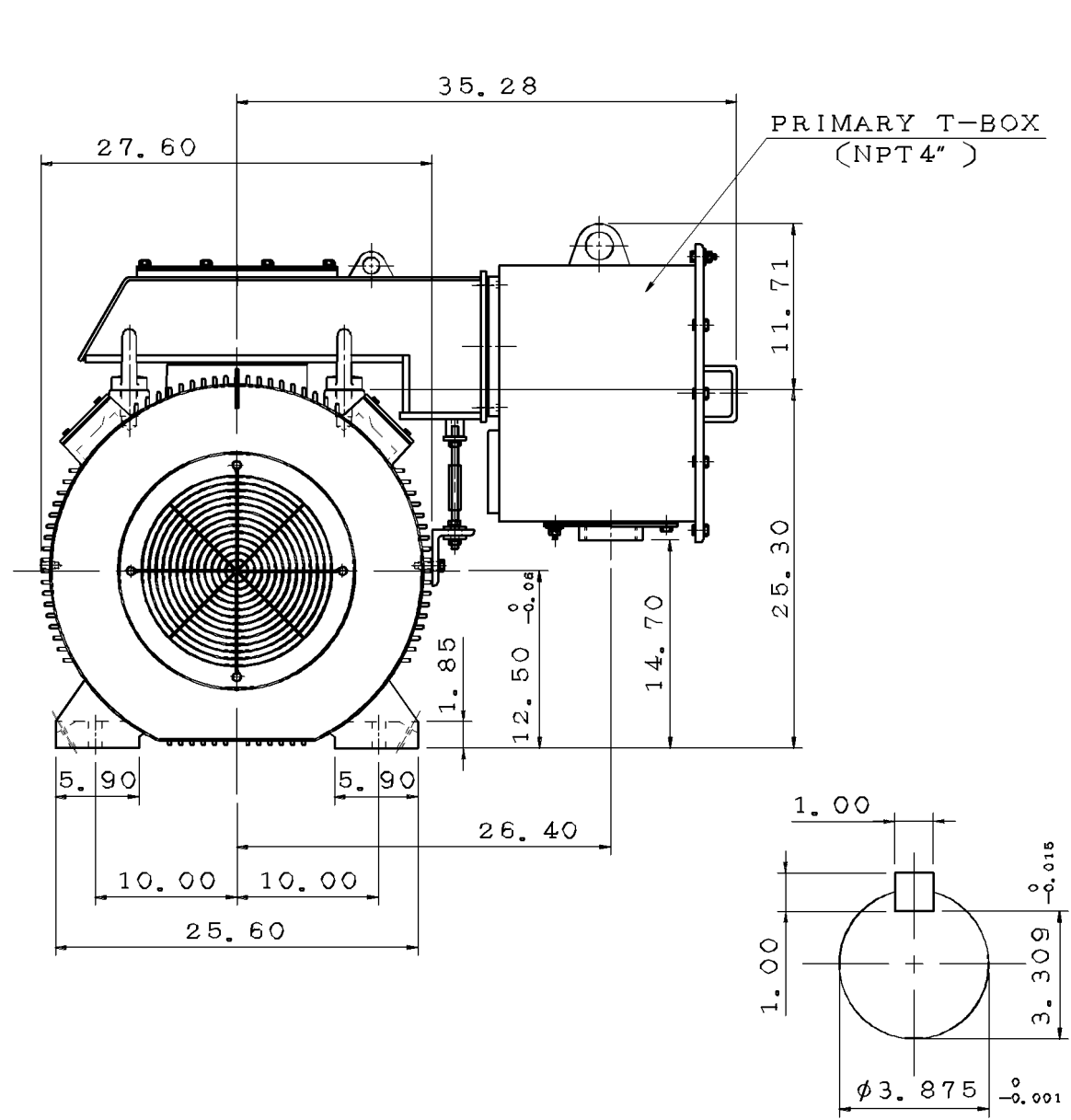


| TYPE | OUTPUT |     | POLE | TIME RATING | VOLTAGE V | Hz | SYN. SPEED R. P. M |
|------|--------|-----|------|-------------|-----------|----|--------------------|
|      | HP.    | kW. |      |             |           |    |                    |
| AFHH |        |     | 4    | CONT.       |           |    |                    |

TOTALLY ENCLOSED FAN-COOLED TYPE. SQUIRREL-CAGE ROTOR



- NOTE:
1. DIMENSIONS IN inch
  2. FRAME NO. 5011B
  3. F CLASS INSULATION
  4. FOR DIRECT FLEXIBLE COUPLING
  5. ENCLOSURE: IP55
  6. BEARING SIZE: DRIVE-END 6324C3  
OPP. DRIVE-END 6320C3
  7. MOTOR APPROX. WEIGHT: 5200 lb

(B) FOR BEARING RTD, END BRACKETS SHALL BE PRE-DRILLED AND PLUGGED.  
(C) FOR AUXILIARY, FRAME SHALL BE PRE-DRILLED AND COVERD WITH STEEL PLATE.

|       |          |               |
|-------|----------|---------------|
| DWN.  | L. JHENG | APR. 22. 2019 |
| CHKD. | H. WANG  | APR. 23. 2019 |
| APPD. | C. WANG  | APR. 23. 2019 |

|      |                         |
|------|-------------------------|
| DATE | OUTLINE DIMENSIONS      |
|      | 3-PHASE INDUCTION MOTOR |

|                          |           |        |
|--------------------------|-----------|--------|
| <b>TECO</b> Westinghouse | DWG NO.   | REV:01 |
|                          | 5A040C167 |        |



TEFC, 4P 460V 60HZ

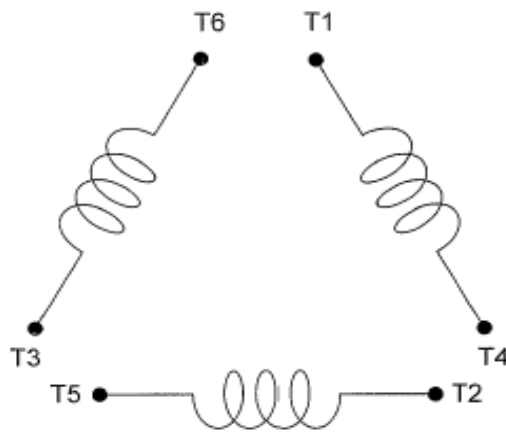
| OUTPUT<br>HP | FULL<br>LOAD<br>RPM | FRAME<br>NO.<br>(EG) | EFFICIENCY   |             |             | POWER FACTOR |             |             | CURRENT    |               |               | TORQUE        |           | Safe Stall<br>Time(s) |             | ROTOR<br>WR <sup>2</sup><br>LB-FT <sup>2</sup> | Max. Load<br>WR <sup>2</sup><br>LB-FT <sup>2</sup> | APPROX.<br>WEIGHT<br>LBS |
|--------------|---------------------|----------------------|--------------|-------------|-------------|--------------|-------------|-------------|------------|---------------|---------------|---------------|-----------|-----------------------|-------------|--|--|--------------------------|
|              |                     |                      | FULL<br>LOAD | 3/4<br>LOAD | 1/2<br>LOAD | FULL<br>LOAD | 3/4<br>LOAD | 1/2<br>LOAD | Rated<br>A | Starting<br>% | Starting<br>A | Starting<br>% | Max.<br>% | HOT<br>SEC            | COLD<br>SEC |  |  |                          |
|              |                     |                      | %            | %           | %           | %            | %           | %           |            |               |               |               |           |                       |             |  |  |                          |
| 350          | 1785                | 5009B                | 96.2         | 95.9        | 95.3        | 88.2         | 87.2        | 82.4        | 386        | 660           | 2550          | 95            | 200       | 12                    | 18          | 138  | 1854   | 3700                     |
| 400          | 1785                | 5009B                | 96.2         | 95.9        | 95.4        | 88.4         | 87.6        | 83.1        | 440        | 659           | 2900          | 95            | 210       | 12                    | 19          | 155  | 2089   | 3900                     |
| 450          | 1786                | 5009B                | 96.2         | 96.0        | 95.5        | 88.7         | 87.6        | 83.0        | 494        | 658           | 3250          | 100           | 210       | 11                    | 18          | 176  | 2302   | 4100                     |
| 500          | 1786                | 5011B                | 96.2         | 96.0        | 95.5        | 87.3         | 86.1        | 80.0        | 557        | 651           | 3625          | 100           | 210       | 13                    | 20          | 200  | 2536   | 4500                     |
| 600          | 1785                | 5011B                | 96.3         | 96.1        | 95.7        | 88.7         | 87.9        | 84.2        | 658        | 719           | 4730          | 100           | 210       | 17                    | 22          | 231  | 2962   | 4800                     |
| 700          | 1791                | 5011B※               | 96.5         | 96.3        | 95.9        | 87.8         | 86.4        | 81.2        | 774        | 711           | 5500          | 100           | 200       | 15                    | 22          | 242  | 3389   | 5200                     |
| 800          | 1787                | 5810B※               | 96.0         | 95.9        | 95.5        | 88.2         | 87.0        | 82.3        | 885        | 712           | 6300          | 95            | 200       | 11                    | 17          | 356  | 3794   | 6600                     |
| 900          | 1787                | 5810B※*              | 96.0         | 95.9        | 95.5        | 88.4         | 87.4        | 83.1        | 993        | 715           | 7100          | 95            | 200       | 10                    | 15          | 403  | 4177   | 7000                     |
| 1000         | 1786                | 5810B※*              | 96.0         | 95.9        | 95.5        | 88.1         | 87.6        | 83.8        | 1107       | 714           | 7900          | 95            | 200       | 26                    | 31          | 403  | 4561   | 7000                     |

NOTE: 1 ACCORDING TO NEMA MG-1  
 4P: RATINGS 500HP AND BELOW ARE PREMIUM EFFICIENCY.  
 2 WITH "※" : COPPER ROTOR  
 3 WITHOUT "※" : ALUMINUM ROTOR  
 4 MULTIPLE MOUNTING DIMENSIONS FOR EACH FRAME NO.  
 FRAME 5009: MOUNTING HOLE WITH 5009 & 5007  
 FRAME 5011: MOUNTING HOLE WITH 5011, 5010 & 5009  
 5 WITH "\*" : NO CSA CERTIFICATION. (4P 900, 1000HP)

DATE:  
April 8, 2020

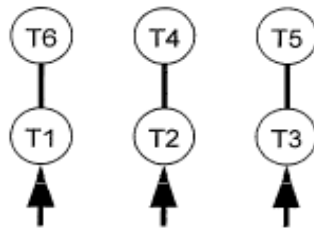
# CONNECTION DIAGRAM

SERIES:  
AFHH



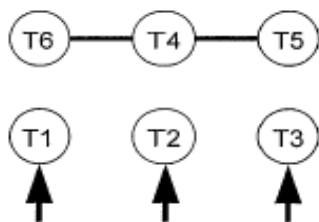
**SCHEMATIC - Δ CONNECTION**

## ACROSS THE LINE CONNECTION

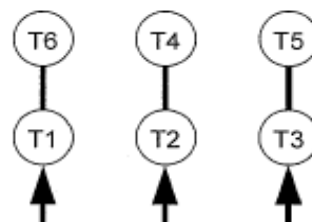


**460 VOLT CONNECTION**

## WYE START-DELTA RUN CONNECTION



**LINE  
460 VOLT START**



**LINE  
460 VOLT RUN**