

DATE
JAN. 4, 2007
CAT. #: EPV0036C

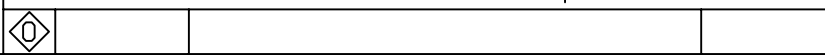
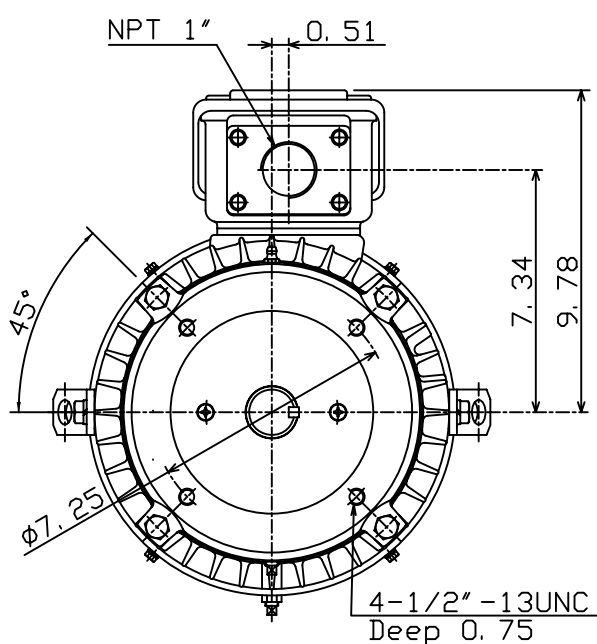
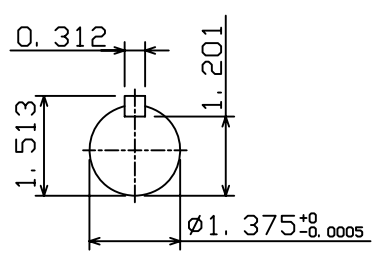
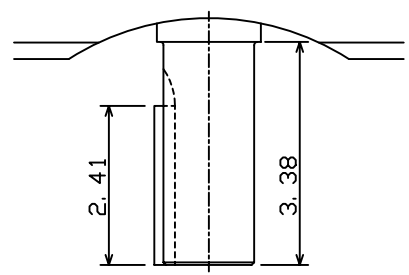
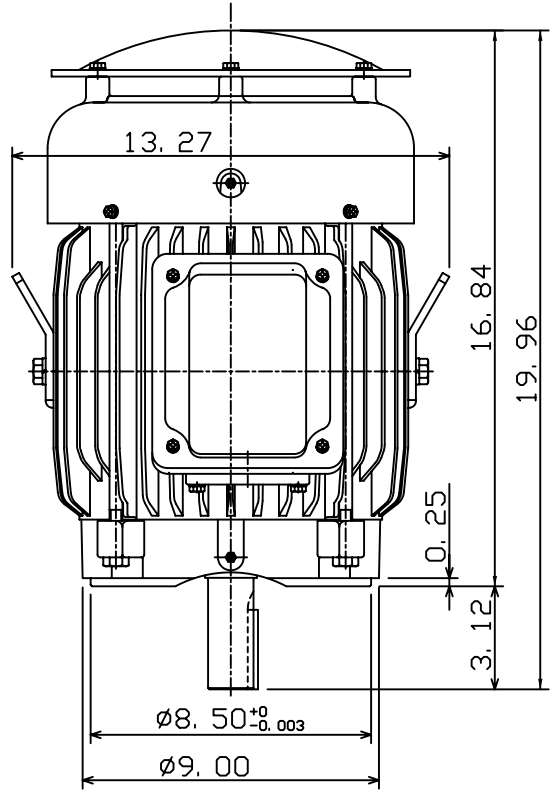
OUTLINE DIMENSIONS
3-PHASE INDUCTION MOTOR

MOTOR TYPE:
AEUH8NDC
FRAME NO. 213TC

Pole	HP	kW	Hz	VOLT	Syn. Speed r/min(rpm)
6	3	2.23	60	230/460	1200

Ins	Rating	Dimension in	Approx Weight	Bearings	
F	CONT.	inches	180 LBS	DE: 6308ZZ	NDE: 6306ZZ

Totally Enclosed Fan-Cooled Vertical Type. Squirrel-Cage Rotor.



DWN.	J. H. LIANG	12-25-06
CHKD.	H. C. YAN	12-28-06
APPD.	M. C. TSAI	12-28-06



DWG NO.
31049M986180

TECO Westinghouse

ISSUED 8/29/2014	PERFORMANCE DATA 3-PHASE INDUCTION MOTOR	ENCLOSURE TEFC
TYPE AEUH8NDC		CATALOG# EPV0036C

NAMEPLATE INFORMATION

OUTPUT		POLE	FRAME SIZE	VOLTAGE	HZ	RATED AMBIENT	INS. CLASS	NEMA DESIGN	TIME RATING	SERVICE FACTOR
HP	KW									
3	2.2	6	213TC	230/460	60	40°C	F	B	CONT.	1.15

VARIABLE FREQUENCY DRIVE SERVICE

VARIABLE TORQUE				OHMS/PHASE EQUIVALENT WYE CIRCUIT (AT RATED OPERATING TEMPERATURE 25°C)				
HZ	HP	RPM	TORQUE (lb-ft)	R1	R2	X1	X2	X _m
3~60	0.0004~3	60~1200	0.035~13.41	1.6662	2.8842	5.7461	7.5294	121.57

CONSTANT TORQUE				CONSTANT HORSEPOWER			
HZ	HP	RPM	TORQUE (lb-ft)	HZ	HP	RPM	TORQUE (lb-ft)
6~60	.3~3	120~1200	13.41	60~120	3	1200~2400	13.41~6.705

TYPICAL PERFORMANCE

FULL LOAD RPM	EFFICIENCY				POWER FACTOR			SOUND PRESSURE LEVEL @ 3 FT Db(A)
	FULL LOAD		3/4 LOAD %	1/2 LOAD %	FULL LOAD %	3/4 LOAD %	1/2 LOAD %	
	MIN.%	NOM.%						
1175	87.5	89.5	89.5	87.5	78	70.5	85.5	54

CURRENTS									NEMA KVA CODE LETTER	SAFE STALL TIME IN SECONDS	
NO LOAD			FULL LOAD			LOCKED ROTOR				COLD	HOT
AT 208 VOLT	AT 230 VOLT	AT 460 VOLT	AT 208 VOLT	AT 230 VOLT	AT 460 VOLT	AT 208 VOLT	AT 230 VOLT	AT 460 VOLT			
3.73	4.18	2.09	8.89	8.04	4.02	57.9	64.0	32	K	88	62

TORQUE				INERTIA			ACCEL TIME (DOL)		ALLOWABLE STARTS PER HOUR	
FULL LOAD (lb-ft)	LOCKED ROTOR %FLT	PULL UP %FLT	BREAK DOWN %FLT	ROTOR WR ² (lb-ft ²)	NEMA LOAD WK ² (lb-ft ²)	MAX ALLOWABLE WK ² (lb-ft ²)	NEMA LOAD WK ² Sec	MAX ALLOWABLE WK ² Sec	COLD	HOT
13.41	210	180	340	0.918	44	378	4.98	42.00	2	1

APPROVED:	M. PRATER	DRAWING NO.	31057EPV0036C	REVISION:	1
-----------	------------------	-------------	----------------------	-----------	----------

DATE:
September 13, 2006

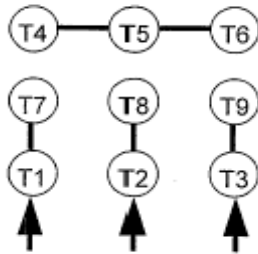
CONNECTION DIAGRAM

CATALOG NO.:
EPV0036C

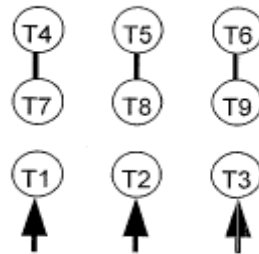


SCHEMATIC - 2Y/Y CONNECTION

ACROSS THE LINE CONNECTION



**LINE
230 VOLT CONNECTION**



**LINE
460 VOLT CONNECTION**



DWG NO.
DAC-1566-2