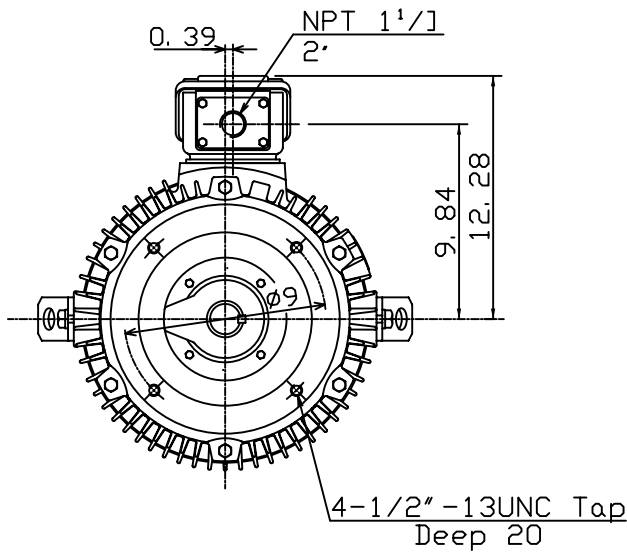
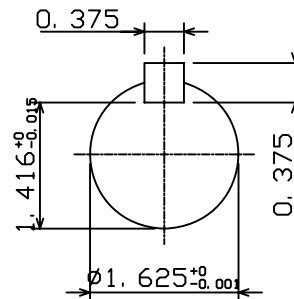
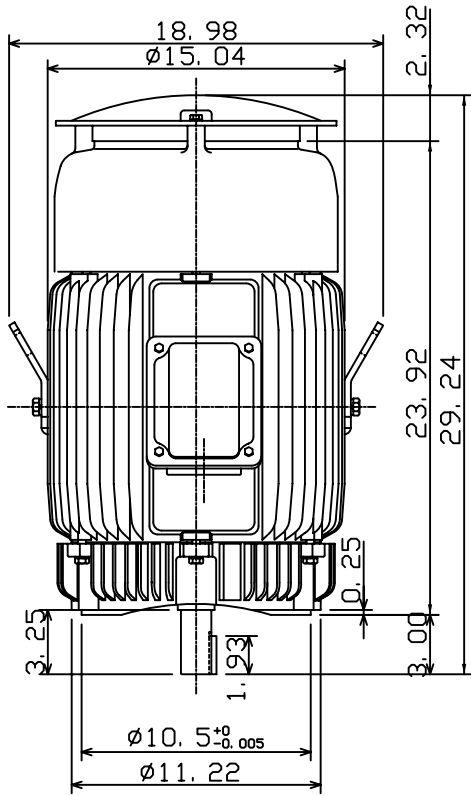


| | | |
|----------------------|---|-------------------------|
| DATE JAN. 4, 2007 | OUTLINE DIMENSIONS 3-PHASE INDUCTION MOTOR | MOTOR TYPE: AEUH8NDC |
| CAT. #: EPV0302C | | FRAME NO. 286TSC |

| Pole | HP | kW | Hz | VOLT | Syn. Speed r/min(rpm) |
|------|----|----|----|---------|--------------------------|
| 2 | 30 | 22 | 60 | 230/460 | 3600 |

| Ins | Rating | Dimension in | Approx Weight | Bearings |
|-----|--------|--------------|---------------|------------------------|
| F | CONT. | inches | 474 LBS | DE: 6211C3 NDE: 6211C3 |

Totally Enclosed Fan-cooled Vertical Type, Squirrel-cage Rotor.



| | | |
|---|--|--|
| ◇ | | |
|---|--|--|

| | | |
|-------|------------|----------|
| DWN. | K. L. KUO | 01-02-07 |
| CHKD. | K. L. KUO | 01-02-07 |
| APPD. | M. C. TSAI | 01-02-07 |

TEC Westinghouse

DWG NO.
31057H316320

TECO Westinghouse

| | | |
|----------------------------|---|-----------------------------|
| ISSUED 8/29/2014 | PERFORMANCE DATA 3-PHASE INDUCTION MOTOR | ENCLOSURE TEFC |
| TYPE AEUH8NDC | | CATALOG# EPV0302C |

NAMEPLATE INFORMATION

| OUTPUT | | POLE | FRAME SIZE | VOLTAGE | HZ | RATED AMBIENT | INS. CLASS | NEMA DESIGN | TIME RATING | SERVICE FACTOR |
|-----------|-------------|----------|---------------|----------------|-----------|---------------|------------|-------------|--------------|----------------|
| HP | KW | | | | | | | | | |
| 30 | 22.4 | 2 | 286TSC | 230/460 | 60 | 40°C | F | B | CONT. | 1.15 |

VARIABLE FREQUENCY DRIVE SERVICE

| | | | | | | | | |
|-----------------|------------------|-----------------|--------------------|--|---------------|--------------|---------------|----------------|
| VARIABLE TORQUE | | | | OHMS/PHASE EQUIVALENT WYE CIRCUIT (AT RATED OPERATING TEMPERATURE 25°C) | | | | |
| HZ | HP | RPM | TORQUE (lb-ft) | R1 | R2 | X1 | X2 | X _m |
| 3~60 | 0.0038~30 | 180~3600 | 0.111~44.43 | 0.124 | 0.1778 | 0.676 | 1.0989 | 43.309 |

| CONSTANT TORQUE | | | | CONSTANT HORSEPOWER | | | |
|-----------------|-------------|-----------------|----------------|---------------------|-----------|------------------|--------------------|
| HZ | HP | RPM | TORQUE (lb-ft) | HZ | HP | RPM | TORQUE (lb-ft) |
| 6~60 | 3~30 | 360~3600 | 44.43 | 60~90 | 30 | 3600~5400 | 44.43~29.62 |

TYPICAL PERFORMANCE

| FULL LOAD RPM | EFFICIENCY | | | | POWER FACTOR | | | SOUND PRESSURE LEVEL @ 3 FT Db(A) |
|---------------|-------------|-----------|-------------|------------|--------------|-------------|-------------|-----------------------------------|
| | FULL LOAD | | 3/4 LOAD % | 1/2 LOAD % | FULL LOAD % | 3/4 LOAD % | 1/2 LOAD % | |
| | MIN.% | NOM.% | | | | | | |
| 3545 | 91.7 | 93 | 93.6 | 93 | 91 | 90.5 | 87.5 | 77 |

| CURRENTS | | | | | | | | | NEMA KVA CODE LETTER | SAFE STALL TIME IN SECONDS | |
|--------------|--------------|-------------|--------------|--------------|--------------|--------------|--------------|-------------|----------------------|----------------------------|-----------|
| NO LOAD | | | FULL LOAD | | | LOCKED ROTOR | | | | COLD | HOT |
| AT 208 VOLT | AT 230 VOLT | AT 460 VOLT | AT 208 VOLT | AT 230 VOLT | AT 460 VOLT | AT 208 VOLT | AT 230 VOLT | AT 460 VOLT | | | |
| 10.20 | 12.08 | 6.04 | 73.42 | 66.40 | 33.20 | 394.3 | 436.0 | 218 | G | 24 | 17 |

| TORQUE | | | | INERTIA | | | ACCEL TIME (DOL) | | ALLOWABLE STARTS PER HOUR | |
|-------------------|-------------------|--------------|-----------------|---|---|---|-------------------------------|-----------------------------------|---------------------------|----------|
| FULL LOAD (lb-ft) | LOCKED ROTOR %FLT | PULL UP %FLT | BREAK DOWN %FLT | ROTOR WR ² (lb-ft ²) | NEMA LOAD WK ² (lb-ft ²) | MAX ALLOWABLE WK ² (lb-ft ²) | NEMA LOAD WK ² Sec | MAX ALLOWABLE WK ² Sec | COLD | HOT |
| 44.43 | 175 | 140 | 240 | 2.831 | 30 | 73 | 4.36 | 10.07 | 2 | 1 |

| | | | | | |
|-----------|------------------|-------------|----------------------|-----------|----------|
| APPROVED: | M. PRATER | DRAWING NO. | 31057EPV0302C | REVISION: | 1 |
|-----------|------------------|-------------|----------------------|-----------|----------|

DATE:
September 13, 2006

CONNECTION DIAGRAM

CATALOG NO.:
EPV0302C

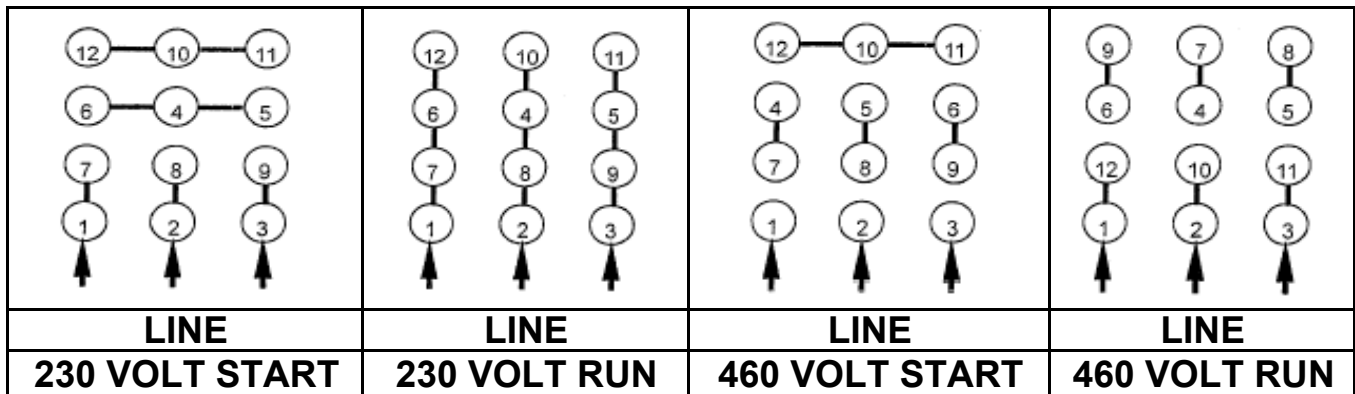


SCHEMATIC - Δ / Y CONNECTION

ACROSS THE LINE CONNECTION



WYE START-DELTA RUN CONNECTION



DWG NO.
DAC-1565-4