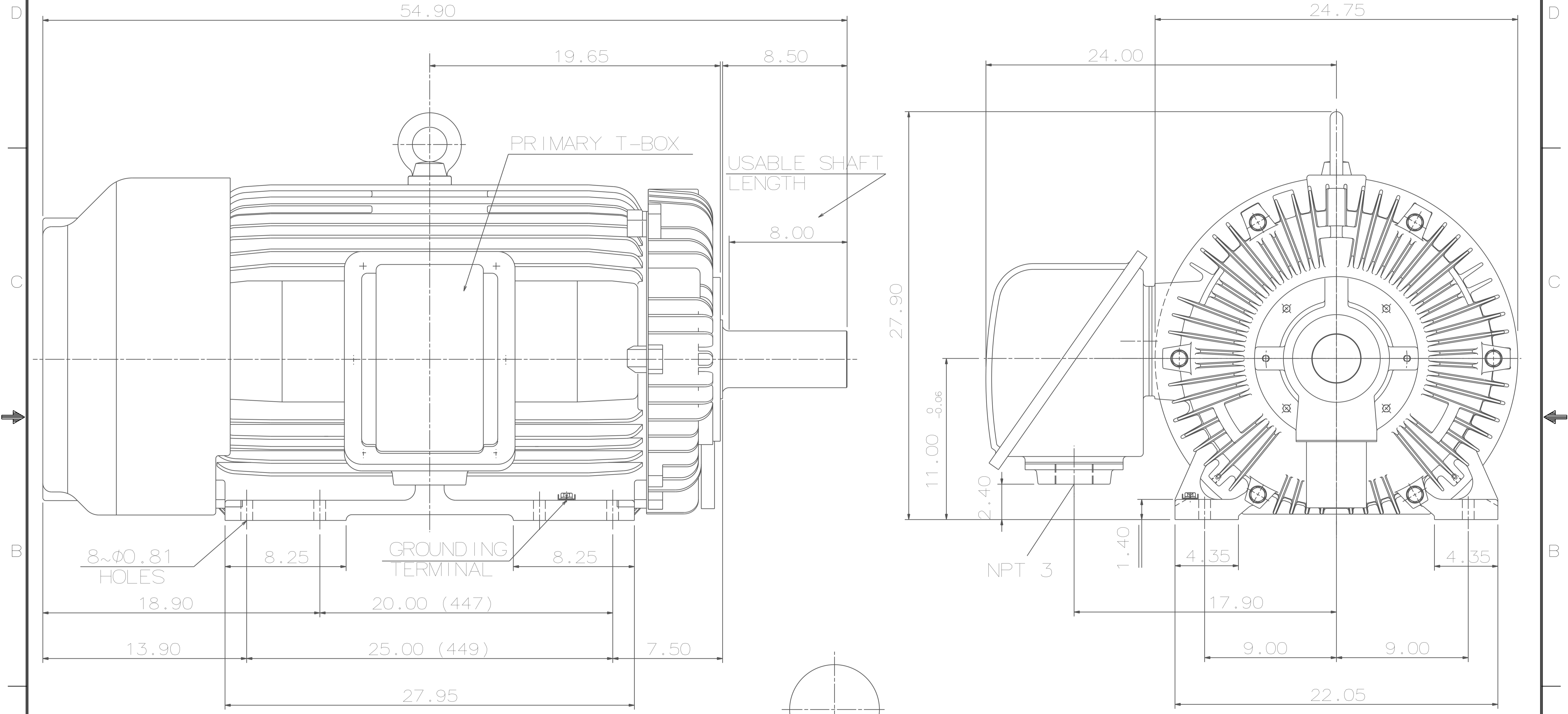
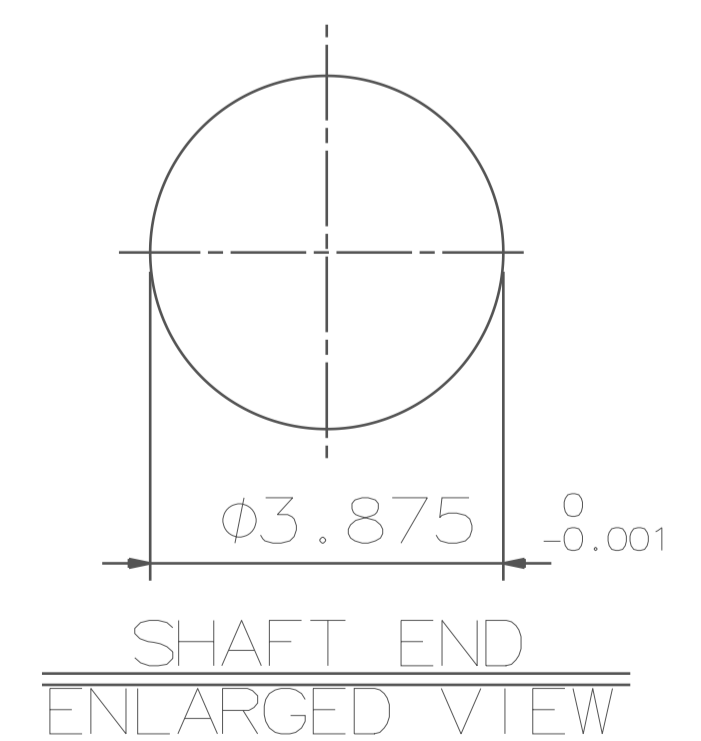


TYPE	OUTPUT		POLE	TIME RATING	VOLTAGE V	Hz	SYN. SPEED R.P.M
	HP.	kW.					
AEHHSY	200	149.2	8	CONT.	460	60	900

TOTALLY ENCLOSED FAN-COOLED TYPE. SQUIRREL-CAGE ROTOR



- NOTE:
1. DIMENSIONS IN INCH.
  2. FRAME NO. 449TY
  3. F CLASS INSULATION, S.F.1.15
  4. FOR DIRECT FLEXIBLE COUPLING
  5. ENCLOSURE: IP55
  6. BEARING SIZE: DRIVE-END 6224  
OPP. DRIVE-END 6316
  7. MOTOR APPROX. WEIGHT: 2806 LBS



DATE	12/7/15	OUTLINE DIMENSIONS
CATALOG#	EPY2008	

DWN.	S.H.SHEN	03.07.14
CHKD.	S.H.SHEN	03.07.14
APPD.	C.H.SHYU	03.07.14

**TECO** **Westinghouse**

DWG NO. 31057C547651      REV: 00

# TECO Westinghouse

ISSUED <b>06/30/15</b>	<b>PERFORMANCE DATA</b>	ENCLOSURE <b>TEFC</b>
TYPE <b>AEHHSY</b>	<b>3-PHASE INDUCTION MOTOR</b>	CATALOG# <b>EPY2008</b>

### NAMEPLATE INFORMATION

OUTPUT		POLE	FRAME SIZE	VOLTAGE	HZ	RATED AMBIENT	INS. CLASS	NEM A DESIGN	TIME RATING	SERVICE FACTOR
HP	KW									
<b>200</b>	<b>149</b>	<b>8</b>	<b>449TY</b>	<b>460</b>	<b>60</b>	<b>40°C</b>	<b>F</b>	<b>B</b>	<b>CONT.</b>	<b>1.15</b>

### TYPICAL PERFORMANCE

FULL LOAD RPM	EFFICIENCY				POWER FACTOR			MAXIMUM POWER FACTOR CORRECTION
	FULL LOAD		3/4 LOAD	1/2 LOAD	F. L.	3/4 LOAD	1/2 LOAD	
	MIN. %	NOM. %	%	%	%	%	%	
<b>888</b>	<b>93.5</b>	<b>94.5</b>	<b>94.1</b>	<b>93</b>	<b>80</b>	<b>77</b>	<b>69</b>	<b>70 KVAR</b>

### CURRENTS

NO LOAD	FULL LOAD	LOCKED ROTOR	NEMA KVA CODE LETTER
<b>87.5</b>	<b>248</b>	<b>1450</b>	<b>G</b>

### TORQUE

### INERTIA

### ACCEL TIME

FULL LOAD lb-ft	LOCKED ROTOR %FLT	PULL UP %FLT	BREAK DOWN %FLT	ROTOR WR <sup>2</sup> lb-ft <sup>2</sup>	NEMA LOAD WK <sup>2</sup> lb-ft <sup>2</sup>	MAX ALLOWABLE WK <sup>2</sup> lb-ft <sup>2</sup>	NEMA LOAD WK <sup>2</sup> Sec	MAX ALLOWABLE WK <sup>2</sup> Sec
<b>1183</b>	<b>120</b>	<b>100</b>	<b>200</b>	<b>221</b>	<b>4508</b>	<b>9016</b>	<b>7.53</b>	<b>14.73</b>

SAFE STALL TIME IN SECONDS

ALLOWABLE STARTS PER HOUR

SOUND PRESSURE LEVEL @ 3 FT dB(A)

COLD	HOT	COLD	HOT	78
<b>20</b>	<b>14</b>	<b>2</b>	<b>1</b>	

APPROVED:

**M. PRATER**

DRAWING NO.

**3A057EPY2008**

REVISION **0**

DATE:  
December 2, 2005

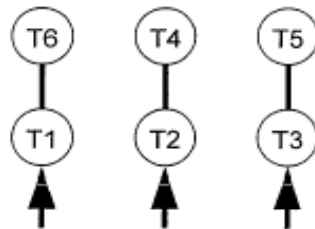
# CONNECTION DIAGRAM

CATALOG NO.:  
EPY2008



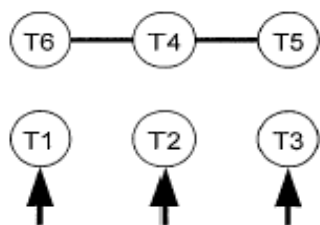
**SCHEMATIC - Δ / Y CONNECTION**

## ACROSS THE LINE CONNECTION

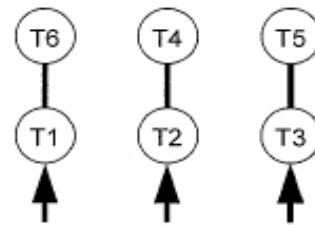


**460 VOLT CONNECTION**

## WYE START-DELTA RUN CONNECTION



**LINE  
460 VOLT START**



**LINE  
460 VOLT RUN**