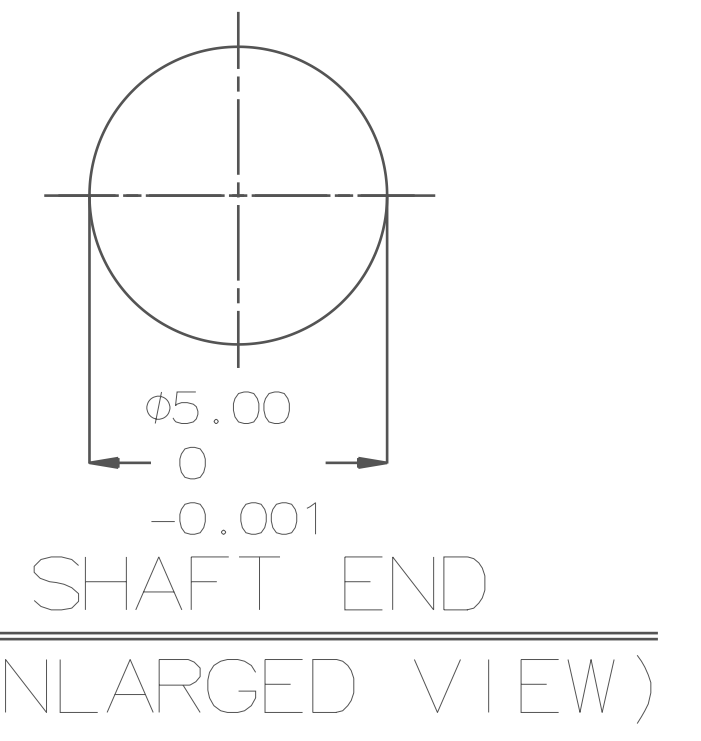
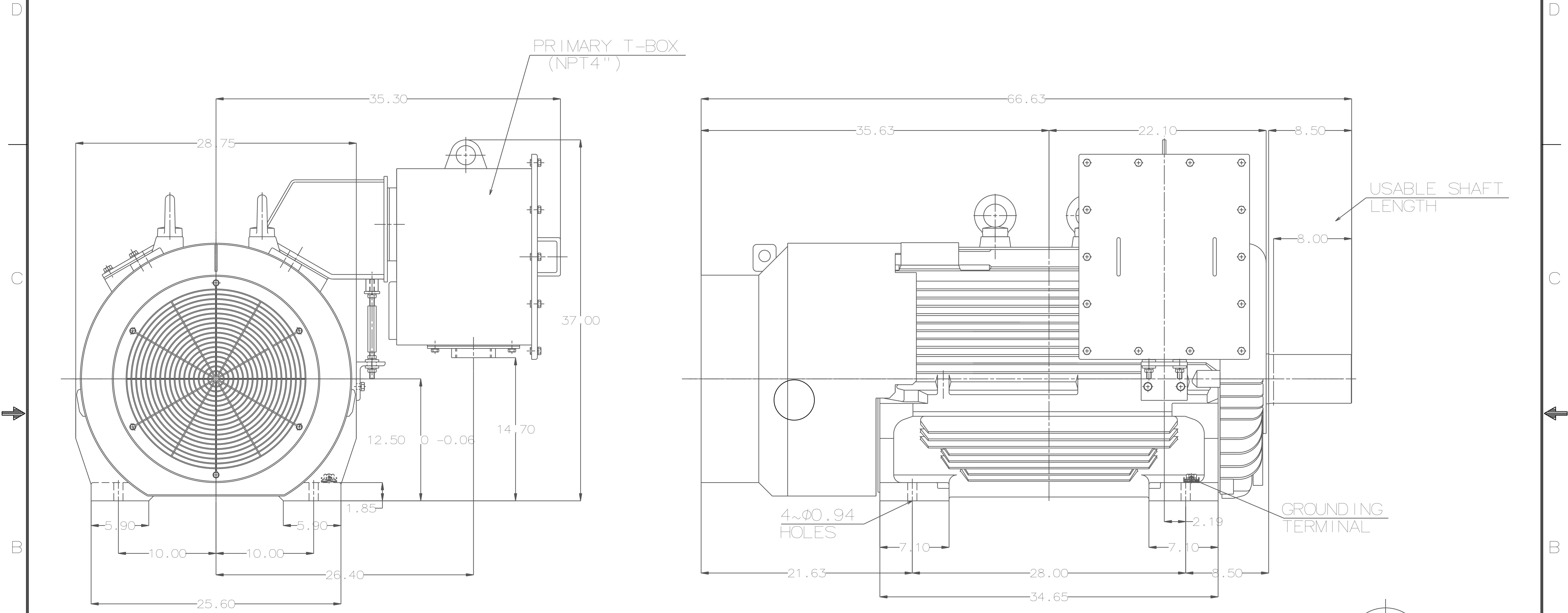


TYPE	OUTPUT		POLE	TIME RATING	VOLTAGE V	Hz	SYN. SPEED R.P.M
	HP.	kW.					
AEHHSY	250	186.5	8	CONT.	460	60	900

TOTALLY ENCLOSED FAN-COOLED TYPE. SQUIRREL-CAGE ROTOR



- NOTE:
1. DIMENSIONS IN inch
 2. FRAME NO. 5009UZ
 3. F CLASS INSULATION, S.F.1.15
 4. FOR DIRECT FLEXIBLE COUPLING
 5. ENCLOSURE: IP55
 6. BEARING SIZE: DRIVE-END 6326C3
OPP. DRIVE-END 6320C3
 7. MOTOR APPROX. WEIGHT: 4000 LBS

DATE	12/7/15	OUTLINE DIMENSIONS
CATALOG#	EPY2508	

DWN.	J. CHANG	MAR. 04. 2015
CHKD.	H. HUANG	MAR. 04. 2015
APPD.	C. LIU	MAR. 04. 2015

TECO Westinghouse

DWG NO. 4B040G890 REV: 00

TECO Westinghouse

ISSUED 10/23/2017	PERFORMANCE DATA 3-PHASE INDUCTION MOTOR	ENCLOSURE TEFC
TYPE AEHHSY		CATALOG# EPY2508

NAMEPLATE INFORMATION

OUTPUT		POLE	FRAME SIZE	VOLTAGE	HZ	RATED AMBIENT	INS. CLASS	NEMA DESIGN	TIME RATING	SERVICE FACTOR
HP	KW									
250	186.5	8	5009UZ	460	60	40°C	F	B	CONT.	1.15

CONSTANT TORQUE

CONSTANT HORSEPOWER

HZ	HP	RPM	TORQUE (lb-ft)	HZ	HP	RPM	TORQUE (lb-ft)
6~60	25~250	90~900	1474	60~90	250	900-1350	1474~983

TYPICAL PERFORMANCE

FULL LOAD RPM	EFFICIENCY				POWER FACTOR			SOUND PRESSURE LEVEL @ 3 FT Db(A)
	FULL LOAD		3/4 LOAD %	1/2 LOAD %	FULL LOAD %	3/4 LOAD %	1/2 LOAD %	
	MIN.%	NOM.%						
890	94.1	95	94.4	93	81	78	70	79

CURRENTS

NO LOAD	FULL LOAD	LOCKED ROTOR	NEMA KVA CODE LETTER	SAFE STALL TIME IN SECONDS	
AT	AT	AT		COLD	HOT
106.6	304	1825	G	15	12

TORQUE

INERTIA

ACCEL TIME (DOL)

ALLOWABLE

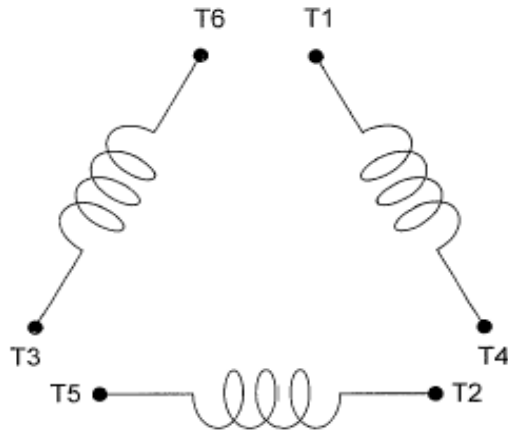
FULL LOAD (lb-ft)	LOCKED ROTOR %ELT	FULL UP %ELT	BREAK DOWN %ELT	ROTOR WR ²	NEMA LOAD WK ²	MAX ALLOWABLE WK ²	NEMA LOAD WK ²	MAX ALLOWABLE WK ²	COLD	HOT
1473	110	110	200	235	5540	11080	7.39	14.47	2	1

APPROVED:	M. PRATER	DRAWING NO.	3A057EPY2508	REVISION:	0
-----------	------------------	-------------	---------------------	-----------	----------

DATE:
December 2, 2005

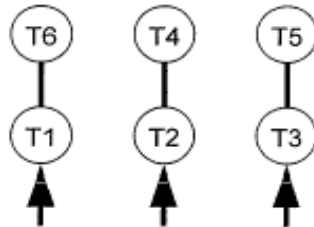
CONNECTION DIAGRAM

CATALOG NO.:
EPY2508



SCHEMATIC - Δ / Y CONNECTION

ACROSS THE LINE CONNECTION



460 VOLT CONNECTION

WYE START-DELTA RUN CONNECTION



**LINE
460 VOLT START**



**LINE
460 VOLT RUN**