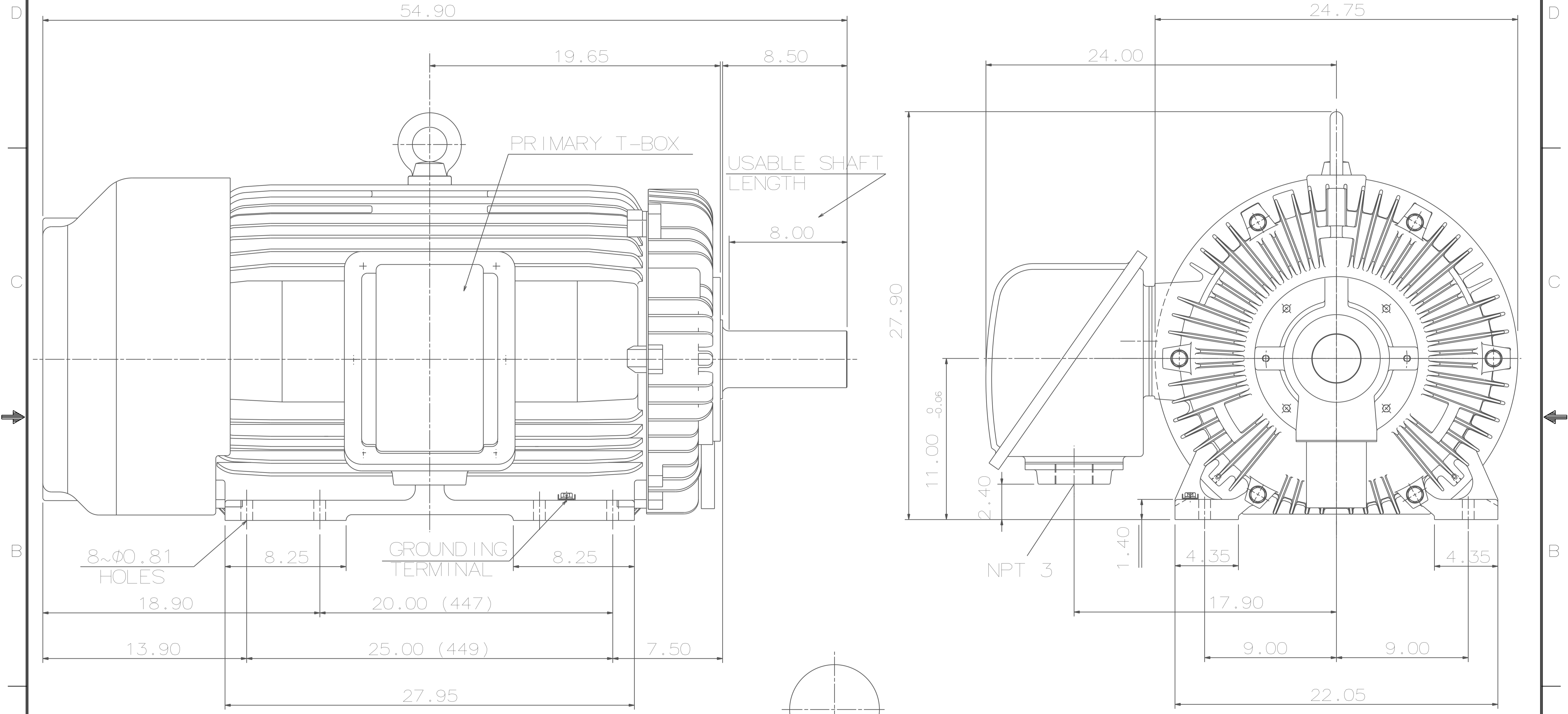


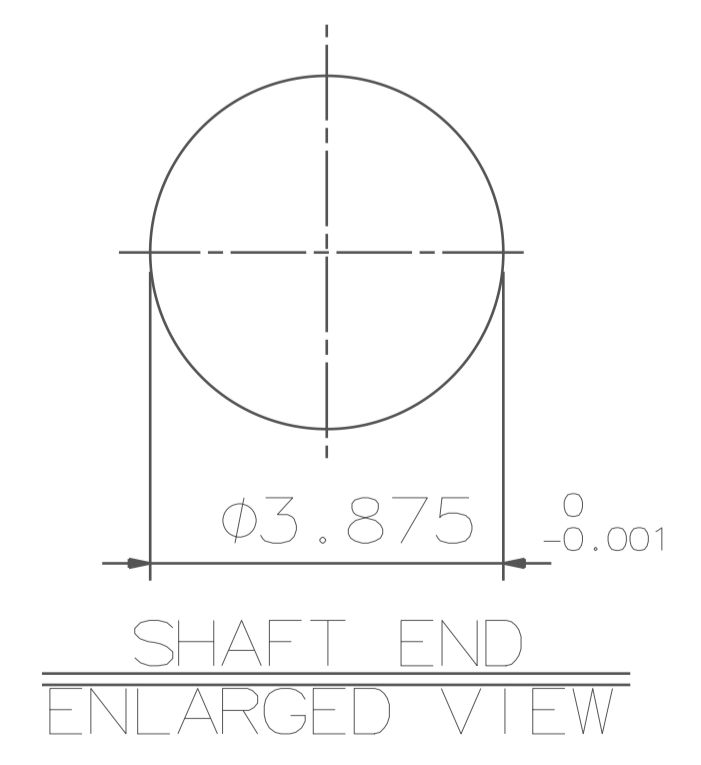
TYPE	OUTPUT		POLE	TIME RATING	VOLTAGE V	Hz	SYN. SPEED R.P.M
	HP.	kW.					
AEHHSY	300	224	6	CONT.	460	60	1200

TOTALLY ENCLOSED FAN-COOLED TYPE. SQUIRREL-CAGE ROTOR



NOTE:

1. DIMENSIONS IN INCH.
2. FRAME NO. 449TY
3. F CLASS INSULATION, S.F.1.15
4. FOR DIRECT FLEXIBLE COUPLING
5. ENCLOSURE: IP55
6. BEARING SIZE: DRIVE-END 6224
OPP. DRIVE-END 6316
7. MOTOR APPROX. WEIGHT: 2650 LBS



DATE	12/7/15	OUTLINE DIMENSIONS	
CATALOG#	EPY3006	3-PHASE INDUCTION MOTOR	
DWG NO.	31057C547651	REV:	00

DWN.	S.H.SHEN	03.07.14
CHKD.	S.H.SHEN	03.07.14
APPD.	C.H.SHYU	03.07.14



TECO Westinghouse

ISSUED 12/3/2018	PERFORMANCE DATA 3-PHASE INDUCTION MOTOR	ENCLOSURE TEFC
TYPE AEHHSY		CATALOG# EPY3006

NAMEPLATE INFORMATION

OUTPUT		POLE	FRAME SIZE	VOLTS	HZ	RATED AMBIENT	INS. CLASS	NEMA DESIGN	TIME RATING	SERVICE FACTOR
HP	KW									
300	224	6	449TY	460	60	40°C	F	B	CONT.	1.15

TYPICAL PERFORMANCE

FULL LOAD RPM	EFFICIENCY				POWER FACTOR			MAXIMUM POWER FACTOR CORRECTION
	FULL LOAD		3/4 LOAD	1/2 LOAD	FULL LOAD	3/4 LOAD	1/2 LOAD	
	MIN%	NOM%	%	%	%	%	%	
1188	90.0	95.8	95.4	94.5	84.5	82.0	74.5	85.25 KVAR

CURRENTS

NO LOAD	FULL LOAD	LOCKED ROTOR	NEMA KVA CODE LETTER
AT	AT	AT	
460 VOLT	460 VOLT	460 VOLT	
107	347	2200	
			G

TORQUE

INERTIA

ACCEL TIME

FULL LOAD lb-ft	LOCKED ROTOR %FLT	PULL UP %FLT	BREAK DOWN %FLT	ROTOR WR ² lb-ft ²	NEMA LOAD WK ² lb-ft ²	MAX ALLOWABLE WK ² lb-ft ²	NEMA LOAD WK ² Sec.	MAX ALLOWABLE WK ² Sec.

SAFE STALL TIME IN SECONDS		ALLOWABLE STARTS PER HOUR		SOUND PRESSURE LEVEL @ 3 FT dB(A)
COLD	HOT	COLD	HOT	
23	17	2	1	85

APPROVED:	M. PRATER	DRAWING NO.	31057EPY3006	REV. 0
------------------	------------------	--------------------	---------------------	---------------

DATE:
December 2, 2005

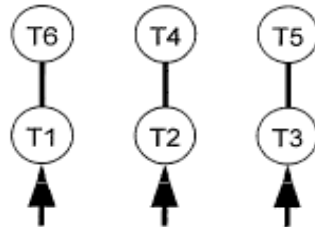
CONNECTION DIAGRAM

CATALOG NO.:
EPY3006



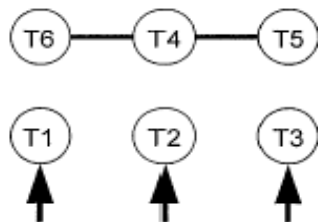
SCHEMATIC - Δ / Y CONNECTION

ACROSS THE LINE CONNECTION



460 VOLT CONNECTION

WYE START-DELTA RUN CONNECTION



**LINE
460 VOLT START**



**LINE
460 VOLT RUN**