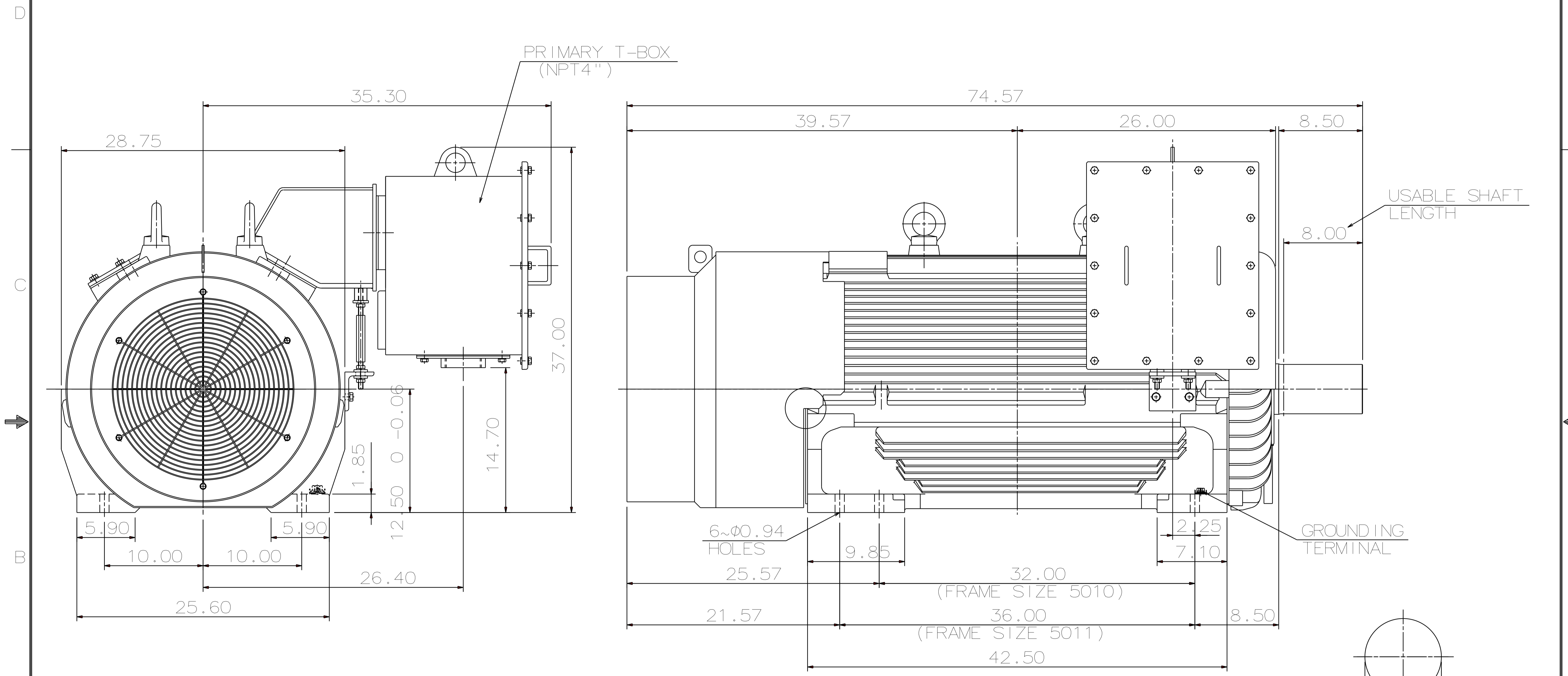


TYPE	OUTPUT		POLE	TIME RATING	VOLTAGE V	Hz	SYN. SPEED R.P.M
	HP.	kW.					
AEHHSY	350	261.1	6	CONT.	460	60	1200

TOTALLY ENCLOSED FAN-COOLED TYPE. SQUIRREL-CAGE ROTOR



NOTE:

1. DIMENSIONS IN inch
2. FRAME NO. 5011UZ
3. F CLASS INSULATION, S.F.1.15
4. FOR DIRECT FLEXIBLE COUPLING
5. ENCLOSURE: IP54
6. BEARING SIZE:

DRIVE-END 6326C3
 OPP. DRIVE-END 6320C3

DATE	04/11/17	OUTLINE DIMENSIONS
	EPY3506	

DWN.	J. CHANG	MAR.05.2015
CHKD.	H. HUANG	MAR.05.2015
APPD.	C. LIU	MAR.05.2015

TEC Westinghouse

DWG NO. REV:00
 4B040G892

TECO Westinghouse

ISSUED 05/05/15	PERFORMANCE DATA	ENCLOSURE TEFC
TYPE AEHHSY	3-PHASE INDUCTION MOTOR	CATALOG# EPY3506

NAMEPLATE INFORMATION

OUTPUT		POLE	FRAME SIZE	VOLTAGE	HZ	RATED AMBIENT	INS. CLASS	NEMA DESIGN	TIME RATING	SERVICE FACTOR
HP	KW									
350	261	6	5011UZ	460	60	40°C	F	B	CONT.	1.15

TYPICAL PERFORMANCE

FULL LOAD RPM	EFFICIENCY				POWER FACTOR			MAXIMUM POWER FACTOR CORRECTION
	FULL LOAD		3/4 LOAD %	1/2 LOAD %	F. L. %	3/4 LOAD %	1/2 LOAD %	
	MIN. %	NOM. %						
1185	95	95.8	95.4	93.6	87	85	81	80 KVAR

CURRENTS

NO LOAD	FULL LOAD	LOCKED ROTOR	NEMA KVA CODE LETTER
101	393	2550	G

TORQUE

INERTIA

ACCEL TIME

FULL LOAD lb-ft	LOCKED ROTOR %FLT	PULL UP %FLT	BREAK DOWN %FLT	ROTOR WR ² lb-ft ²	NEMA LOAD WK ² lb-ft ²	MAX ALLOWABLE WK ² lb-ft ²	NEMA LOAD WK ² Sec	MAX ALLOWABLE WK ² Sec
1551	100	100	220	274	3723	7446	6.20	11.97

SAFE STALL TIME IN SECONDS

ALLOWABLE STARTS PER HOUR

SOUND PRESSURE LEVEL @ 3 FT dB(A)

COLD	HOT	COLD	HOT	85
25	19	2	1	

APPROVED:

M. PRATER

DRAWING NO.

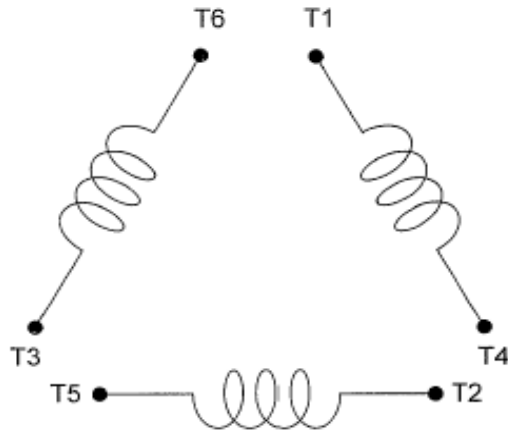
3A057EPY3506

REVISION **0**

DATE:
December 2, 2005

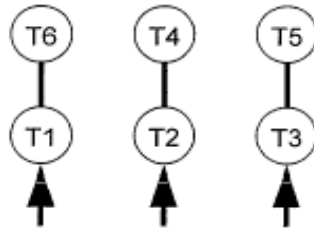
CONNECTION DIAGRAM

CATALOG NO.:
EPY2504



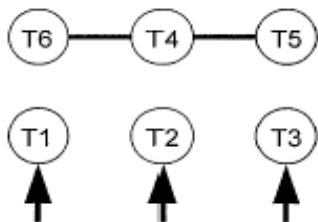
SCHEMATIC - Δ / Y CONNECTION

ACROSS THE LINE CONNECTION

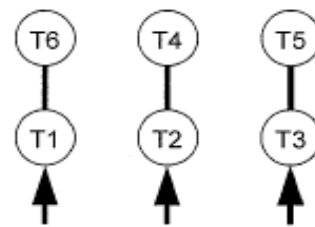


460 VOLT CONNECTION

WYE START-DELTA RUN CONNECTION



**LINE
460 VOLT START**



**LINE
460 VOLT RUN**