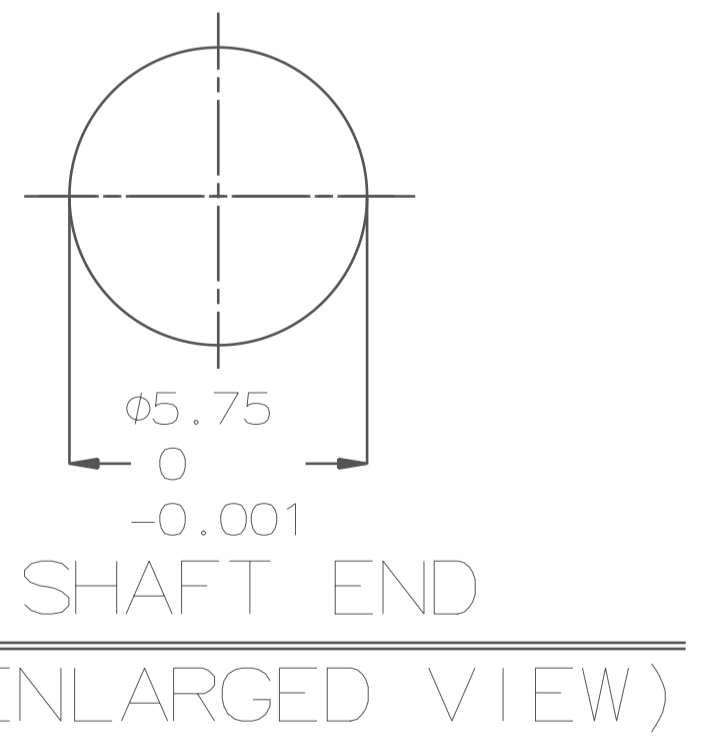
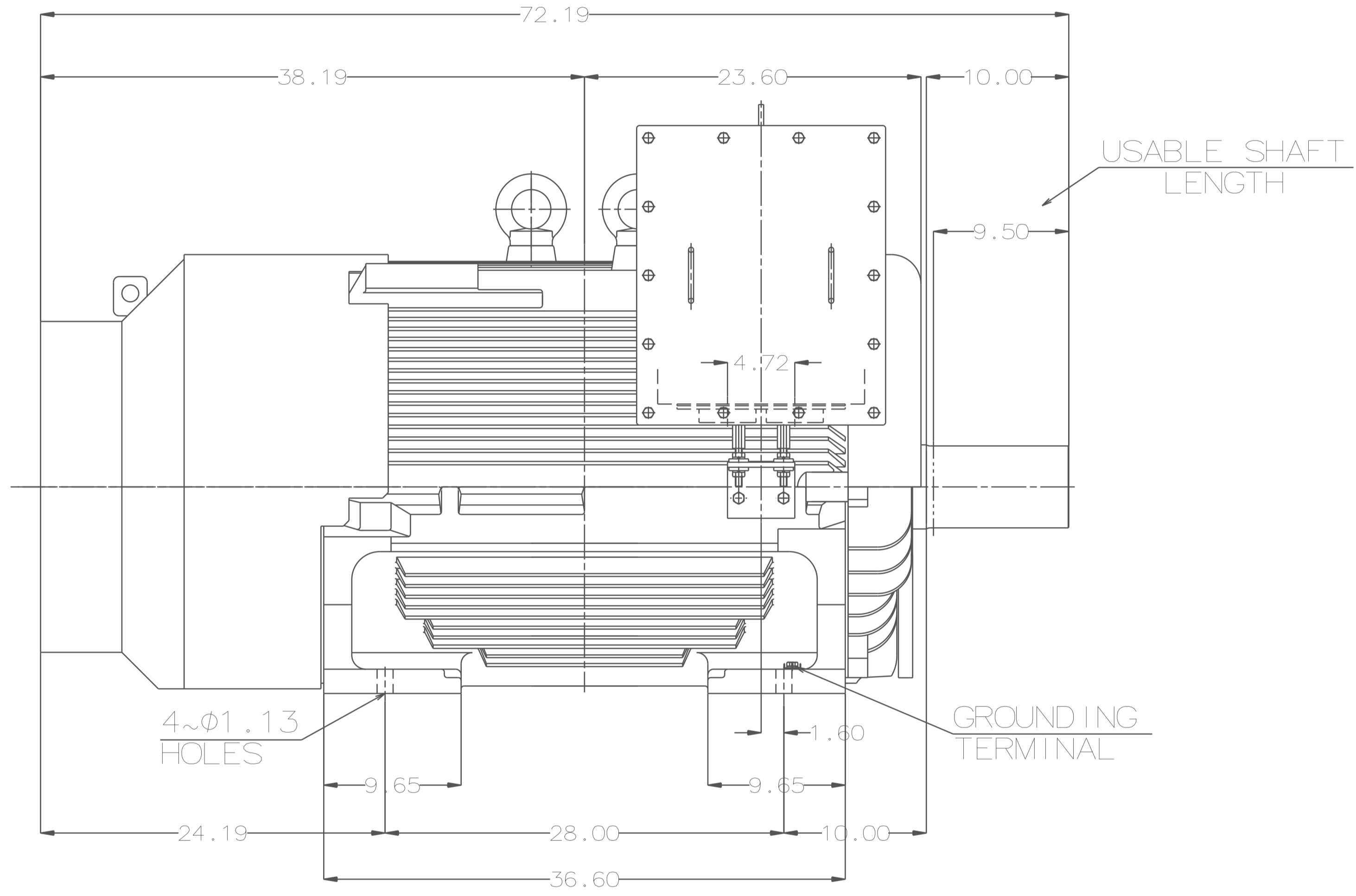
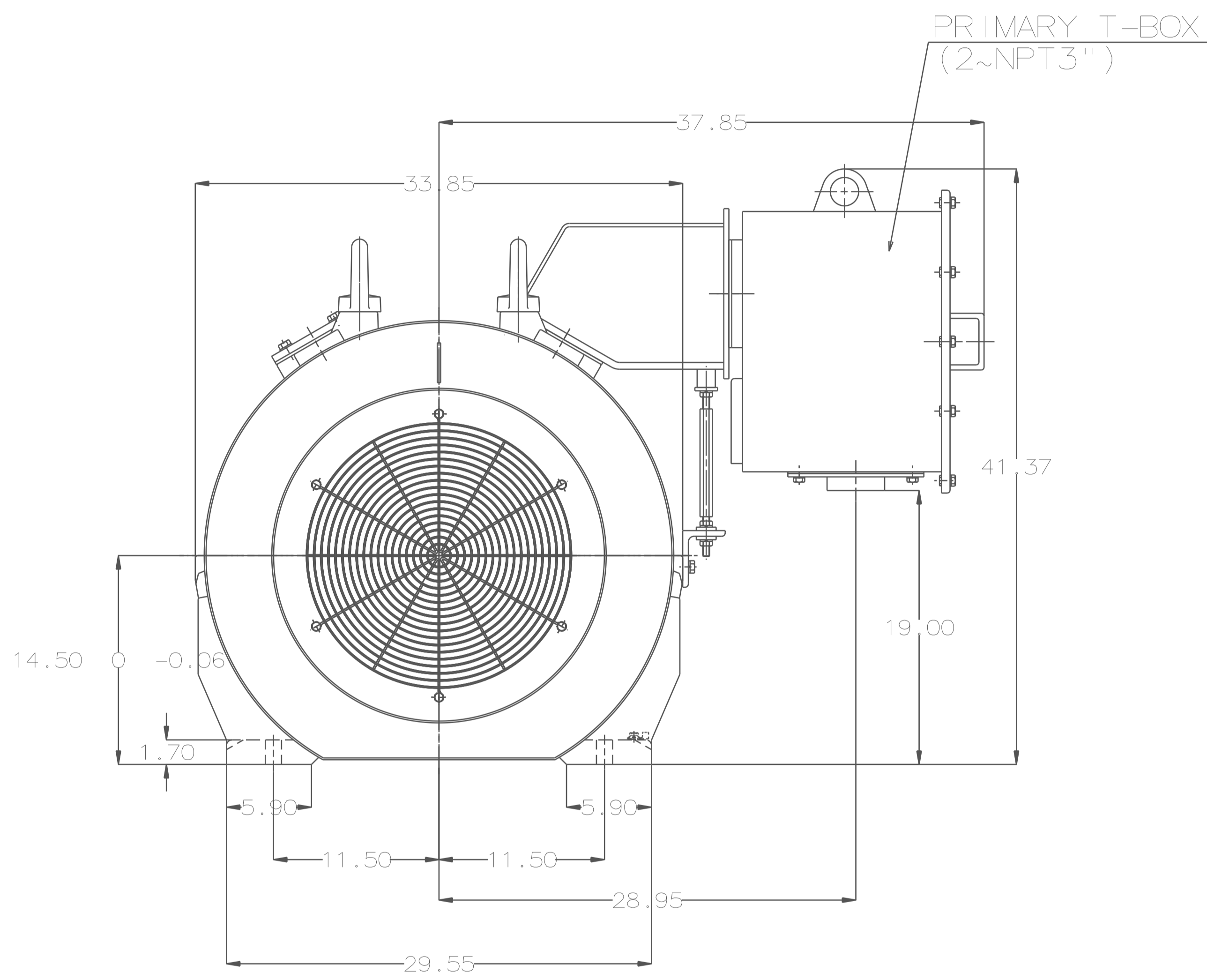


| TYPE   | OUTPUT |       | POLE | TIME RATING | VOLTAGE V | Hz | SYN. SPEED R.P.M |
|--------|--------|-------|------|-------------|-----------|----|------------------|
|        | HP.    | kW.   |      |             |           |    |                  |
| AEHHSY | 400    | 298.4 | 8    | CONT.       | 460       | 60 | 900              |

TOTALLY ENCLOSED FAN-COOLED TYPE. SQUIRREL-CAGE ROTOR



- NOTE:
1. DIMENSIONS IN inch
  2. FRAME NO. 5808UZ
  3. F CLASS INSULATION, S.F.1.15
  4. FOR DIRECT FLEXIBLE COUPLING
  5. ENCLOSURE: IP55
  6. BEARING SIZE: DRIVE-END 6330C3  
OPP. DRIVE-END 6322C3
  7. MOTOR APPROX. WEIGHT: 5100 LBS

|       |          |             |
|-------|----------|-------------|
| DWN.  | J. CHANG | MAR.05.2015 |
| CHKD. | H. HUANG | MAR.05.2015 |
| APPD. | C. LIU   | MAR.05.2015 |

|                  |         |                    |
|------------------|---------|--------------------|
| DATE             | 12/7/15 | OUTLINE DIMENSIONS |
| CATALOG #        | EPY4008 |                    |
| TEC Westinghouse |         | DWG NO. REV:00     |
|                  |         | 4B040G896          |

# TECO Westinghouse

|                           |   |                            |
|---------------------------|---|----------------------------|
| ISSUED<br><b>05/31/19</b> | <b>PERFORMANCE DATA</b><br><b>3-PHASE INDUCTION MOTOR</b> | ENCLOSURE<br><b>TEFC</b>   |
| TYPE<br><b>AEHHSY</b>     |   | CATALOG#<br><b>EPY4008</b> |

### NAMEPLATE INFORMATION

| OUTPUT     |            | POLE     | FRAME SIZE    | VOLTAGE    | HZ        | RATED AMBIENT | INS. CLASS | NEMA DESIGN | TIME RATING  | SERVICE FACTOR |
|------------|------------|----------|---------------|------------|-----------|---------------|------------|-------------|--------------|----------------|
| HP         | KW         |          |               |            |           |               |            |             |              |                |
| <b>400</b> | <b>298</b> | <b>8</b> | <b>5808UZ</b> | <b>460</b> | <b>60</b> | <b>40°C</b>   | <b>F</b>   | <b>B</b>    | <b>CONT.</b> | <b>1.15</b>    |

### TYPICAL PERFORMANCE

| FULL LOAD RPM | EFFICIENCY  |           |             |             | POWER FACTOR |           |           | MAXIMUM POWER FACTOR CORRECTION |
|---------------|-------------|-----------|-------------|-------------|--------------|-----------|-----------|---------------------------------|
|               | FULL LOAD   |           | 3/4 LOAD    | 1/2 LOAD    | F. L.        | 3/4 LOAD  | 1/2 LOAD  |                                 |
|               | MIN. %      | NOM. %    |             |             |              |           |           |                                 |
| <b>893</b>    | <b>94.1</b> | <b>95</b> | <b>94.8</b> | <b>93.6</b> | <b>82.5</b>  | <b>80</b> | <b>71</b> | <b>130 KVAR</b>                 |

| CURRENTS   |            |              | NEMA KVA CODE LETTER |
|------------|------------|--------------|----------------------|
| NO LOAD    | FULL LOAD  | LOCKED ROTOR |                      |
| <b>163</b> | <b>478</b> | <b>2900</b>  | <b>G</b>             |

| TORQUE          |                   |              |                 | INERTIA                                  |  |  | ACCEL TIME                    |                                   |
|-----------------|-------------------|--------------|-----------------|--|--|--|-------------------------------|-----------------------------------|
| FULL LOAD lb-ft | LOCKED ROTOR %FLT | PULL UP %FLT | BREAK DOWN %FLT | ROTOR WR <sup>2</sup> lb-ft <sup>2</sup> | NEMA LOAD WK <sup>2</sup> lb-ft <sup>2</sup> | MAX ALLOWABLE WK <sup>2</sup> lb-ft <sup>2</sup> | NEMA LOAD WK <sup>2</sup> Sec | MAX ALLOWABLE WK <sup>2</sup> Sec |
| <b>2349</b>     | <b>100</b>        | <b>100</b>   | <b>200</b>      | <b>520</b>                               | <b>8500</b>                                  | <b>17000</b>                                     | <b>7.42</b>                   | <b>14.42</b>                      |

| SAFE STALL TIME IN SECONDS |           | ALLOWABLE STARTS PER HOUR |          | SOUND PRESSURE LEVEL @ 3 FT dB(A) |
|----------------------------|-----------|---------------------------|----------|-----------------------------------|
| COLD                       | HOT       | COLD                      | HOT      |                                   |
| <b>25</b>                  | <b>18</b> | <b>2</b>                  | <b>1</b> |                                   |

|           |                  |             |                     |                   |
|-----------|------------------|-------------|---------------------|-------------------|
| APPROVED: | <b>M. PRATER</b> | DRAWING NO. | <b>3A057EPY4008</b> | REVISION <b>0</b> |
|-----------|------------------|-------------|---------------------|-------------------|

DATE:  
December 2, 2005

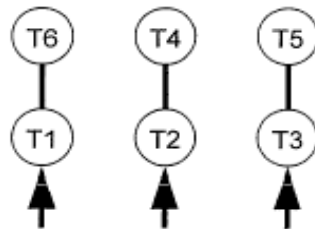
# CONNECTION DIAGRAM

CATALOG NO.:  
EPY4008



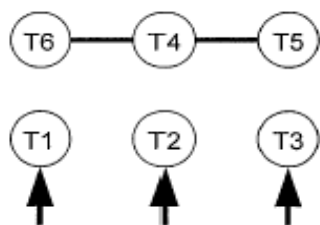
**SCHEMATIC - Δ / Y CONNECTION**

## ACROSS THE LINE CONNECTION

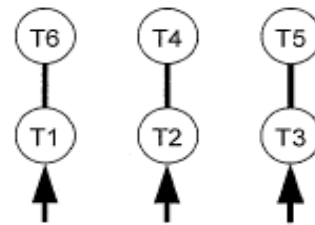


**460 VOLT CONNECTION**

## WYE START-DELTA RUN CONNECTION



**LINE  
460 VOLT START**



**LINE  
460 VOLT RUN**