

BALDOR® • RELIANCE 

Product Information Packet

ERM3007

.33HP,1725RPM,3PH,60HZ,48,3416M,OPEN,F1

Part Detail							
Revision:	F	Status:	PRD/A	Change #:		Proprietary:	No
Type:	AC	Elec. Spec:	34WGS936	CD Diagram:	CD0005	Mfg Plant:	
Mech. Spec:	34K015	Layout:	34LYK015	Poles:	04	Created Date:	10-03-2014
Base:	RS	Eff. Date:	04-23-2021	Leads:	9#18		

Specs			
Catalog Number:	ERM3007	Inverter Code:	Not Inverter
Enclosure:	OPEN	KVA Code:	N
Frame:	48	Lifting Lugs:	No Lifting Lugs
Frame Material:	Steel	Locked Bearing Indicator:	No Locked Bearing
Output @ Frequency:	.330 HP @ 60 HZ	Motor Lead Quantity/Wire Size:	9 @ 18 AWG
Synchronous Speed @ Frequency:	1800 RPM @ 60 HZ	Motor Lead Exit:	Terminal Panel Or Lead Hole
Voltage @ Frequency:	230.0 V @ 60 HZ	Motor Lead Termination:	Flying Leads
	460.0 V @ 60 HZ	Motor Type:	3416M
XP Class and Group:	None	Mounting Arrangement:	F1
XP Division:	Not Applicable	Power Factor:	66
Agency Approvals:	C UR US ENERGY	Product Family:	General Purpose
Auxillary Box:	No Auxillary Box	Pulley End Bearing Type:	Ball
Auxillary Box Lead Termination:	None	Pulley Face Code:	Resilient Mount
Base Indicator:	Resilient	Pulley Shaft Indicator:	Standard
Bearing Grease Type:	Polyrex EM (-20F +300F)	Rodent Screen:	None
Blower:	None	RoHS Status:	ROHS COMPLIANT
Current @ Voltage:	.700 A @ 460.0 V	Shaft Extension Location:	Pulley End
	1.400 A @ 230.0 V	Shaft Ground Indicator:	No Shaft Grounding

	1.700 A @ 208.0 V	Shaft Rotation:	Reversible
Design Code:	B	Shaft Slinger Indicator:	No Slinger
Drip Cover:	No Drip Cover	Speed Code:	Single Speed
Duty Rating:	CONT	Motor Standards:	NEMA
Electrically Isolated Bearing:	Not Electrically Isolated	Starting Method:	Direct on line
Feedback Device:	NO FEEDBACK	Thermal Device - Bearing:	None
Front Face Code:	Resilient Mount	Thermal Device - Winding:	None
Front Shaft Indicator:	None	Vibration Sensor Indicator:	No Vibration Sensor
Heater Indicator:	No Heater	Winding Thermal 1:	None
Insulation Class:	B	Winding Thermal 2:	None

Nameplate NP3155L												
CAT.NO.	ERM3007											
SPEC.	34K015S936G1											
HP	.33											
VOLTS	230/460											
AMP	1.4/7											
RPM	1725											
FRAME	48					HZ	60			PH	3	
SER.F.	1.35					CODE	N		DES	B	CL	B
F.L. AVG. EFF.	73.4					PF	66					
RATING	40C AMB-CONT											
CC									USABLE AT 208V	1.7		
DE	6203					ODE	6203					
ENCL	OPEN					SN						
	SFA 1.6/8											

Parts List		
Part Number	Description	Quantity
SA288633	SA 34K015S936G1	1.000 EA
RA274821	RA 34K015S936G1	1.000 EA
SP1000A09	TERM BOARD, MODEL 34 SW, (RPL SP1000A01)	1.000 EA
11XW0832G06	#8-32 X 3/8, TAPTITE II, HEX WSHR SLTD	1.000 EA
LD5000A52	LEAD ASSY W/INTERNAL STAR RING TERMINALS	1.000 EA
11XT1032A06	10-32 X 3/8 HX WSHR HD SLTD TYPE 23	2.000 EA
34EP3202A01	FR ENDPLATE, MACH	1.000 EA
RM1000A03	CUSHION RING, MDL 17-33-34	1.000 EA
HA6004A01A	CLAMP CUSHION RING ASSY	1.000 EA
WD4100A01	DP-875 HEYCO PLUG OR 62MP0875 MICRO PLAS	1.000 EA
HW5100A03	WAVY WASHER (W1543-017)	1.000 EA
34EP3203A01	PU ENDPLATE, MACH	1.000 EA
RM1000A03	CUSHION RING, MDL 17-33-34	1.000 EA
HA6004A01A	CLAMP CUSHION RING ASSY	1.000 EA
XY1032A02	10-32 HEX NUT DIRECTIONAL SERRATION	4.000 EA
34CB4501SP	TERMINAL BOX LID, STAMPED X (PLATED)	1.000 EA
51XW0832A07	8-32 X .44, TAPTITE II, HEX WSHR SLTD SE	2.000 EA
51XW0832A07	8-32 X .44, TAPTITE II, HEX WSHR SLTD SE	2.000 EA
MG1000Y03	MUNSELL 2.53Y 6.70/ 4.60, GLOSS 20,	0.014 GA
85XU0407S04	4X1/4 U DRIVE PIN STAINLESS	2.000 EA
34BA4001A01SP	RESILIENT BASE, 408-416	1.000 EA
HA3100A12	THRUBOLT 10-32 X 7.375	4.000 EA
LB1119N	WARNING LABEL	1.000 EA
LC0005	CONN.DIA.,TY M,9-LD,DUAL VOLT,REVERSING	1.000 EA

Parts List (continued)		
Part Number	Description	Quantity
NP3155L	ALUM SUPER-E UL CSA CC "SEMS"	1.000 EA
MN416A01	TAG-INSTAL-MAINT no wire (2100/bx) 4/22	1.000 EA
35PA1066	PKG GRP, PRINT PK1008A06	1.000 EA

AC Induction Motor Performance Data

Record # 47464

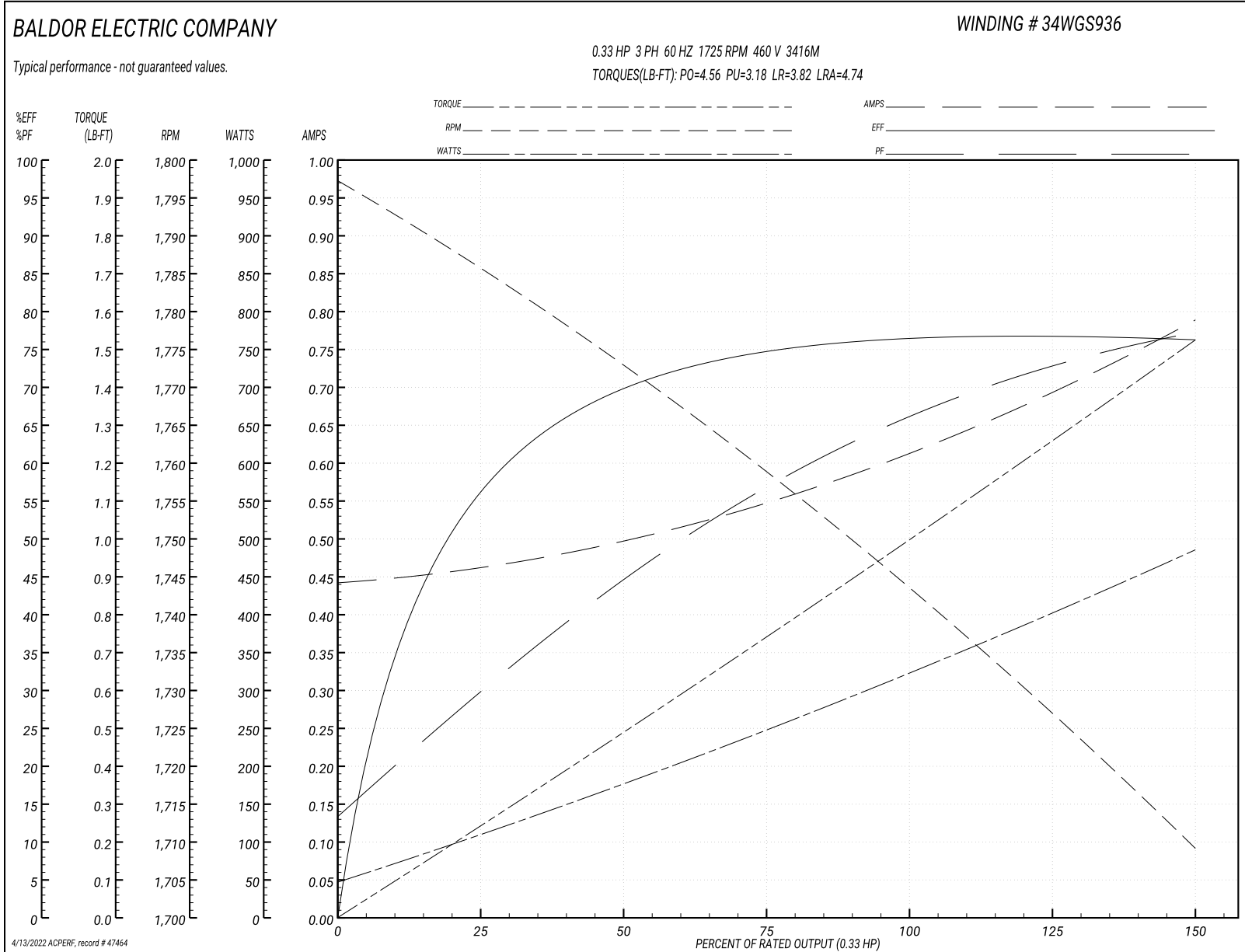
Typical performance - not guaranteed values

Winding: 34WGS936-R002		Type: 3416M		Enclosure: OPEN	
Nameplate Data			460 V, 60 Hz: High Voltage Connection		
Rated Output (HP)	.33	Full Load Torque	1.007 LB-FT		
Volts	230/460	Start Configuration	direct on line		
Full Load Amps	1.4/.7	Breakdown Torque	4.56 LB-FT		
R.P.M.	1725	Pull-up Torque	3.18 LB-FT		
Hz	60 Phase	Locked-rotor Torque	3.82 LB-FT		
NEMA Design Code	B	Starting Current	4.74 A		
Service Factor (S.F.)	1.35	No-load Current	0.445 A		
NEMA Nom. Eff.	73.4	Line-line Res. @ 25°C	43.915 Ω		
Rating - Duty	40C AMB-CONT	Temp. Rise @ Rated Load	18°C		
S.F. Amps	1.6/.8	Temp. Rise @ S.F. Load	24°C		
		Locked-rotor Power Factor	58		
		Rotor inertia	0.0381 LB-FT ²		

Load Characteristics 460 V, 60 Hz, 0.33 HP

% of Rated Load	25	50	75	100	125	150	S.F.
Power Factor	30	45	57	66	73	78	75
Efficiency	55.9	69.8	74.8	76.7	76.9	76.2	76.6
Speed	1785.9	1772.3	1758.5	1743.2	1726.8	1709.1	1720
Line amperes	0.458	0.497	0.55	0.617	0.696	0.787	0.732

Performance Graph at 460V, 60Hz, 0.33HP Typical performance - Not guaranteed values



AC Induction Motor Performance Data

Record # 49379

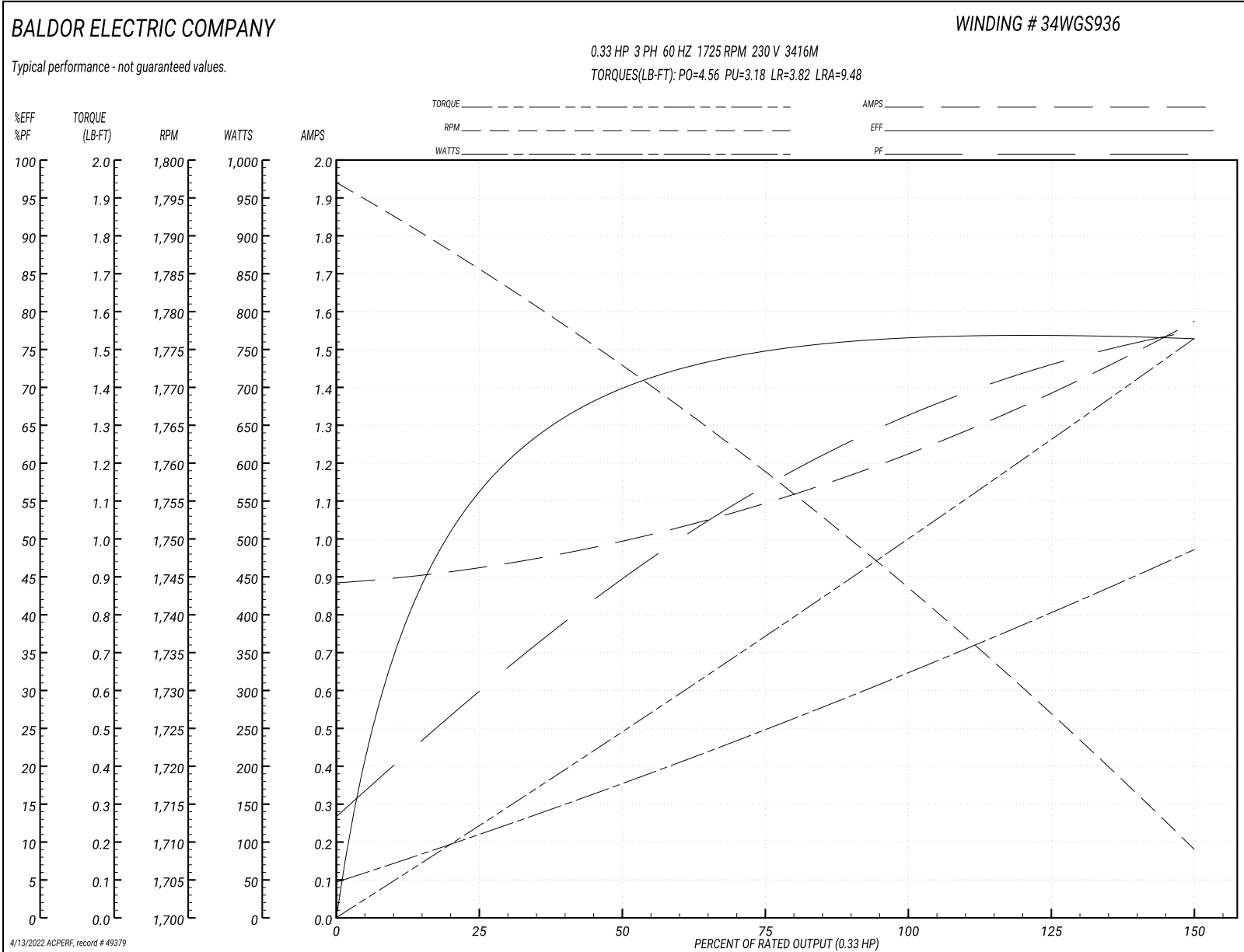
Typical performance - not guaranteed values

Winding: 34WGS936-R002		Type: 3416M		Enclosure: OPEN	
Nameplate Data			230 V, 60 Hz: Low Voltage Connection		
Rated Output (HP)	.33	Full Load Torque	1.01 LB-FT		
Volts	230/460	Start Configuration	direct on line		
Full Load Amps	1.4/.7	Breakdown Torque	4.56 LB-FT		
R.P.M.	1725	Pull-up Torque	3.18 LB-FT		
Hz	60 Phase	3	Locked-rotor Torque	3.82 LB-FT	
NEMA Design Code	B	KVA Code	N	Starting Current	9.48 A
Service Factor (S.F.)	1.35		No-load Current	0.89 A	
NEMA Nom. Eff.	73.4	Power Factor	66	Line-line Res. @ 25°C	10.5 Ω
Rating - Duty	40C AMB-CONT		Temp. Rise @ Rated Load	18°C	
S.F. Amps	1.6/.8		Temp. Rise @ S.F. Load	23°C	
			Locked-rotor Power Factor	58.4	
			Rotor inertia	0.0381 LB-FT ²	

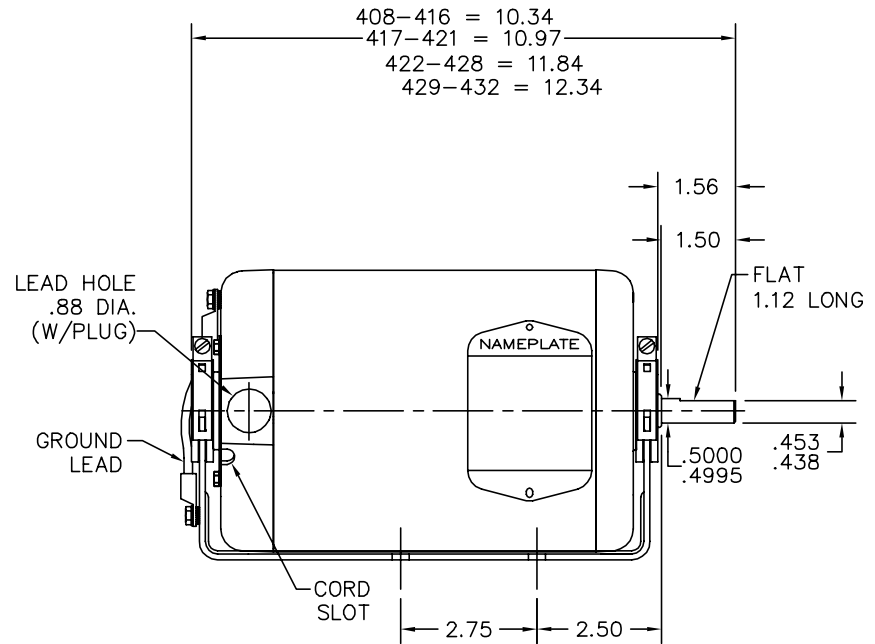
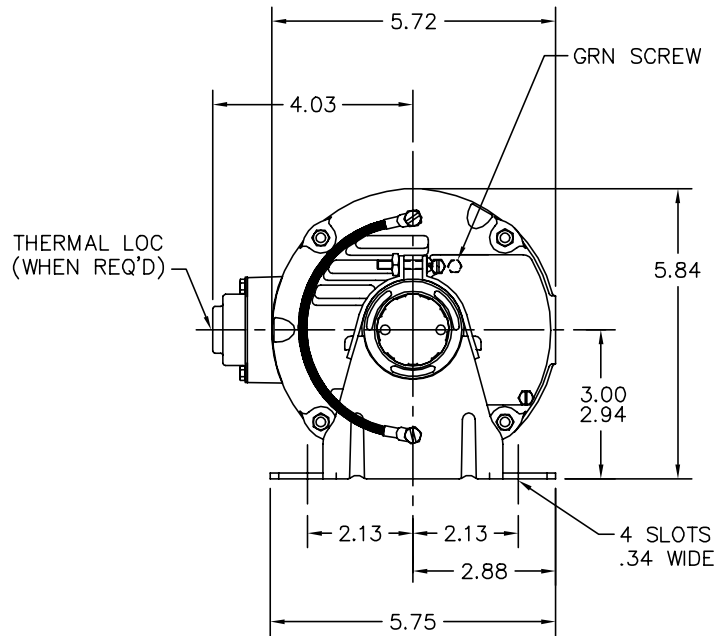
Load Characteristics 230 V, 60 Hz, 0.33 HP

% of Rated Load	25	50	75	100	125	150	S.F.
Power Factor	30	45	57	66	73	78	75
Efficiency	55.8	69.9	74.8	77	76.7	76.4	76.6
Speed	1786	1772	1759	1743	1727	1709	1720
Line amperes	0.915	0.993	1.1	1.23	1.39	1.57	1.46

Performance Graph at 230V, 60Hz, 0.33HP Typical performance - Not guaranteed values



34LYK015



CUSTOMER IS RESPONSIBLE FOR DETERMINING THAT BALDOR'S PRODUCT WILL PERFORM SUITABLY IN THE INTENDED APPLICATION.

REV. DESC: ADD DIM FROM SHAF SHOULDER TO BASE HOLE		
REV. LTR: G	VERSION: 02	TDR: 000000958703
FILE: \AAA\00026\680	REVISED: 08:07:53 12/28/2015	BY: ENFRAJ0
MTL: -	⊙ ⊐	

BALDOR

STD RESIL MTD MODEL 34M NEMA 48 OPEN MTR W/TERM PANEL

SH 1 of 1

34LYK015

CD0005

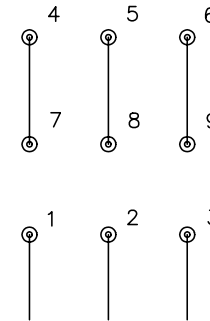


LOW VOLTAGE
(2Y)



LINE

HIGH VOLTAGE
(1Y)



LINE

NOTES:

1. INTERCHANGE ANY TWO LINE LEADS TO REVERSE ROTATION.
2. OPTIONAL THERMOSTATS ARE PROVIDED WHEN SPECIFIED.
3. ACTUAL NUMBER OF INTERNAL PARALLEL CIRCUITS MAY BE A MULTIPLE OF THOSE SHOWN ABOVE.
4. LEAD COLORS ARE OPTIONAL. LEADS MUST ALWAYS BE NUMBERED AS SHOWN.

REV. DESC: REVISE TO SHOW OPTIONAL COLORS

REV. LTR: E BY: JLP

REVISED: 01/19/99 10:15

TDR: 0171435

900000

FILE: AAA00005140

MDL: -

MTL: -

BALDOR ELECTRIC Co.

3PH, DV, 9 LEADS

CD0005