

**BALDOR® • RELIANCE** 

**Product Information Packet**

**EWCM3219T**

**7.5HP,3450RPM,3PH,60HZ,184TCZ,3632M,OPSB**

Part Detail							
Revision:	F	Status:	PRD/A	Change #:		Proprietary:	No
Type:	AC	Elec. Spec:	36WGS516	CD Diagram:	CD0005	Mfg Plant:	
Mech. Spec:	36H454	Layout:	36LYH454	Poles:	02	Created Date:	05-28-2015
Base:	RG	Eff. Date:	03-16-2022	Leads:	9#16		

Specs			
Catalog Number:	EWCM3219T	Heater Indicator:	No Heater
Enclosure:	OPSB	Insulation Class:	F
Frame:	184TCZ	Inverter Code:	Not Inverter
Frame Material:	Steel	KVA Code:	L
Output @ Frequency:	7.500 HP @ 60 HZ	Lifting Lugs:	No Lifting Lugs
Synchronous Speed @ Frequency:	3600 RPM @ 60 HZ	Locked Bearing Indicator:	Locked Bearing
Voltage @ Frequency:	460.0 V @ 60 HZ	Motor Lead Quantity/Wire Size:	9 @ 16 AWG
	230.0 V @ 60 HZ	Motor Lead Exit:	Ko Box
XP Class and Group:	None	Motor Lead Termination:	Flying Leads
XP Division:	Not Applicable	Motor Type:	3632M
Agency Approvals:	UR	Mounting Arrangement:	F1
	CSA EEV	Power Factor:	89
	CSA	Product Family:	General Purpose
Auxillary Box:	No Auxillary Box	Pulley End Bearing Type:	Ball
Auxillary Box Lead Termination:	None	Pulley Face Code:	C-Face
Base Indicator:	Rigid	Pulley Shaft Indicator:	Tapped & Key
Bearing Grease Type:	Polyrex EM (-20F +300F)	Rodent Screen:	Included
Blower:	None	Shaft Extension Location:	Pulley End

<b>Current @ Voltage:</b>	17.200 A @ 230.0 V	<b>Shaft Ground Indicator:</b>	No Shaft Grounding
	18.000 A @ 208.0 V	<b>Shaft Rotation:</b>	Reversible
	8.600 A @ 460.0 V	<b>Shaft Slinger Indicator:</b>	Shaft Slinger
<b>Design Code:</b>	A	<b>Speed Code:</b>	Single Speed
<b>Drip Cover:</b>	No Drip Cover	<b>Motor Standards:</b>	NEMA
<b>Duty Rating:</b>	CONT	<b>Starting Method:</b>	Direct on line
<b>Electrically Isolated Bearing:</b>	Not Electrically Isolated	<b>Thermal Device - Bearing:</b>	None
<b>Feedback Device:</b>	NO FEEDBACK	<b>Thermal Device - Winding:</b>	None
<b>Front Face Code:</b>	Standard	<b>Vibration Sensor Indicator:</b>	No Vibration Sensor
<b>Front Shaft Indicator:</b>	None	<b>Winding Thermal 1:</b>	None
		<b>Winding Thermal 2:</b>	None

Nameplate NP1259L										
CAT.NO.	EWCM3219T									
SPEC.	36H454S516G2									
HP	7.5									
VOLTS	230/460									
AMP	17.2/8.6									
RPM	3450									
FRAME	184TCZ				HZ	60			PH	3
SER.F.	1.15		CODE	L	DES	A		CL	F	
NEMA-NOM-EFF	88.5		PF	89						
RATING	40C AMB-CONT									
CC	010A				USABLE AT 208V			18		
DE	6207				ODE	6205				
ENCL	OPSB		SN							

Parts List		
Part Number	Description	Quantity
SA302309	SA 36H454S516G2	1.000 EA
RA289403	RA 36H454S516G2	1.000 EA
36CB3000SP	CONDUIT BOX, CAST	1.000 EA
51XB1016A07	10-16 X 7/16 HXWSSLD SERTYB	2.000 EA
11XW1032G06	10-32 X .38, TAPTITE II, HEX WSHR SLTD U	1.000 EA
HW3001B01	BRASS CUP WASHER, FOR #10 SCREW	1.000 EA
36EP3204D00	MASTER ODE,205 BRG,GRSR,RLF	1.000 EA
HA1103A08	RODENT SCREEN, 36 FRAME, OPEN, FRONT END	1.000 EA
51XW1032A06	10-32 X .38, TAPTITE II, HEX WSHR SLTD S	2.000 EA
HW1000A10	#10 FLAT WASHER (SAE)	2.000 EA
HW4500A01	1641B(ALEMITE)400 UNIV, GREASE FITT	1.000 EA
HW4500A17	317400 ALEMITE GREASE RELIEF	1.000 EA
HW5100A05	WVY WSHR F/205 & 304 BRGS	1.000 EA
36EP1206A24	PU ENDPLATE, MACH	1.000 EA
HA1102A09	RODENT SCREEN 36 OPEN FAC	2.000 EA
51XW1032A06	10-32 X .38, TAPTITE II, HEX WSHR SLTD S	4.000 EA
HW1000A10	#10 FLAT WASHER (SAE)	4.000 EA
HW4500A01	1641B(ALEMITE)400 UNIV, GREASE FITT	1.000 EA
HW4500A17	317400 ALEMITE GREASE RELIEF	1.000 EA
10XN2520A26	1/4-20X 1 5/8 HEX HD	4.000 EA
HW1001A25	LOCKWASHER 1/4, ZINC PLT .493 OD, .255 I	4.000 EA
35CB4514	35 LIPPED CB LID	1.000 EA
51XW0832A07	8-32 X .44, TAPTITE II, HEX WSHR SLTD SE	4.000 EA
HA2009A01	36-4613 SL ANOD. ALUM (STER	1.000 EA

<b>Parts List (continued)</b>		
<b>Part Number</b>	<b>Description</b>	<b>Quantity</b>
80XN1032A06	10-32 X 3/8 SET SC HEX SOCK	1.000 EA
HW2501D15	KEY, 3/16 X 1.625	1.000 EA
HA7000A01	KEY RETAINER 7/8" DIA SHAFT	1.000 EA
85XU0407S04	4X1/4 U DRIVE PIN STAINLESS	2.000 EA
MJ1000A02	GREASE, MOBIL POLYREX EM - 124047	0.050 LB
36AD2004A01	BAFFLE PLATE,MOD 36-SLTD BAND MTRS DELTA	2.000 EA
HA3101A25	THRUBOLT 1/4-20 X 11.000 OHIO ROD	4.000 EA
MG1000Y03	MUNSELL 2.53Y 6.70/ 4.60, GLOSS 20,	0.022 GA
LC0005E01	CONN.DIA./WARNING LABEL (LC0005/LB1119N)	1.000 EA
NP1259L	ALUM SUPER-E UL CSA-EEV CC NEMA PREMIUM	1.000 EA
G0PA1000	PKG GRP, PRINT PK1026A06	1.000 EA
MN416A01	TAG-INSTAL-MAINT no wire (2100/bx) 4/22	1.000 EA
FE-0000001	ZRTG FE ASSEMBLY	1.000 EA

**AC Induction Motor Performance Data**

Record # 51132

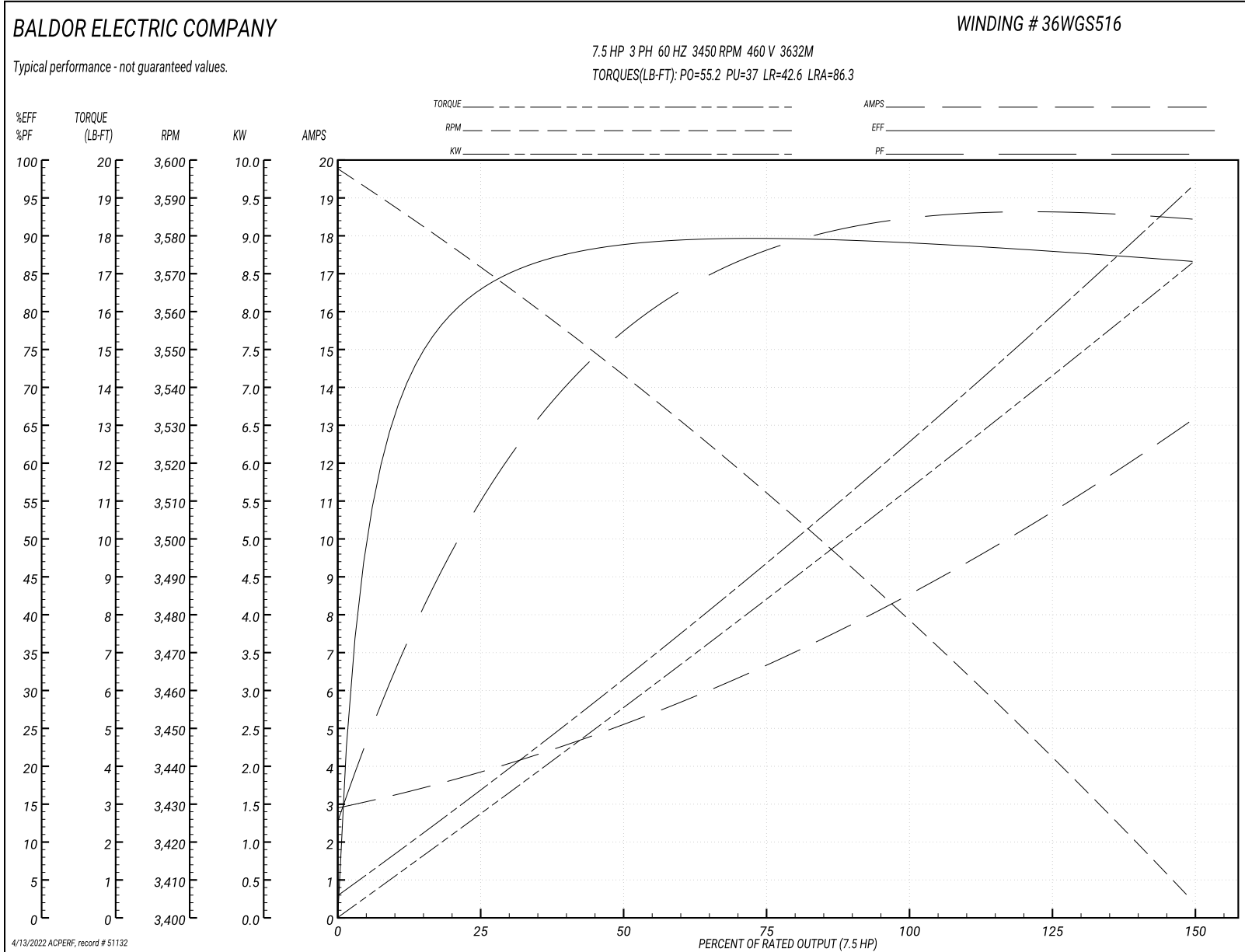
Typical performance - not guaranteed values

<b>Winding: 36WGS516-R012</b>		<b>Type: 3632M</b>		<b>Enclosure: ODP</b>	
<b>Nameplate Data</b>			<b>460 V, 60 Hz: High Voltage Connection</b>		
<b>Rated Output (HP)</b>	7.5	<b>Full Load Torque</b>	11.3 LB-FT		
<b>Volts</b>	230/460	<b>Start Configuration</b>	direct on line		
<b>Full Load Amps</b>	17.2/8.6	<b>Breakdown Torque</b>	55.2 LB-FT		
<b>R.P.M.</b>	3450	<b>Pull-up Torque</b>	37 LB-FT		
<b>Hz</b>	60 <b>Phase</b>	3	<b>Locked-rotor Torque</b>	42.6 LB-FT	
<b>NEMA Design Code</b>	A <b>KVA Code</b>	L	<b>Starting Current</b>	86.3 A	
<b>Service Factor (S.F.)</b>	1.15	<b>No-load Current</b>	3.02 A		
<b>NEMA Nom. Eff.</b>	88.5 <b>Power Factor</b>	89	<b>Line-line Res. @ 25°C</b>	1.59 Ω	
<b>Rating - Duty</b>	40C AMB-CONT	<b>Temp. Rise @ Rated Load</b>	43°C		
<b>S.F. Amps</b>		<b>Temp. Rise @ S.F. Load</b>	53°C		
		<b>Locked-rotor Power Factor</b>	47.4		
		<b>Rotor inertia</b>	0.143 LB-FT <sup>2</sup>		

**Load Characteristics 460 V, 60 Hz, 7.5 HP**

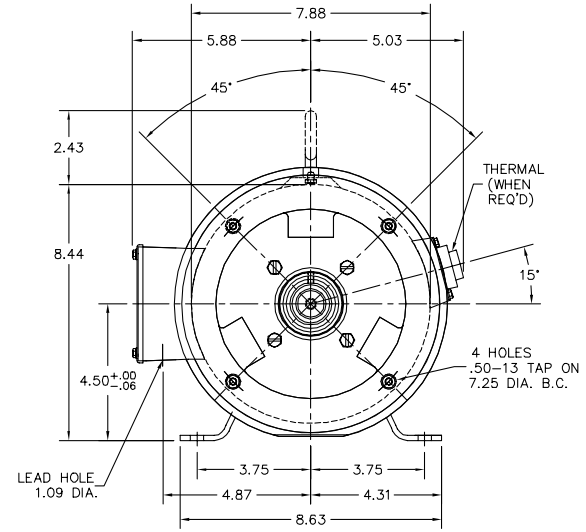
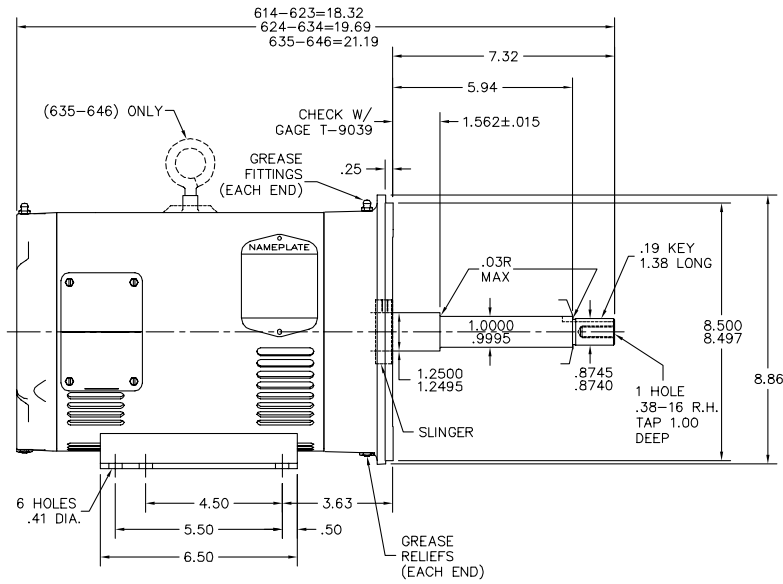
<b>% of Rated Load</b>	<b>25</b>	<b>50</b>	<b>75</b>	<b>100</b>	<b>125</b>	<b>150</b>	<b>S.F.</b>
<b>Power Factor</b>	57	80	87	91	93	93	92
<b>Efficiency</b>	82.2	88.2	89.5	89.4	88.4	86.4	88.8
<b>Speed</b>	3572	3543	3513	3479	3443	3404	3457
<b>Line amperes</b>	3.68	4.98	6.72	8.63	10.7	13.1	9.87

Performance Graph at 460V, 60Hz, 7.5HP Typical performance - Not guaranteed values





36LYH454



CUSTOMER IS RESPONSIBLE FOR DETERMINING THAT BALDOR'S PRODUCT WILL PERFORM SUITABLY IN THE INTENDED APPLICATION.

REV. DESC: CHANGE FREP: WAS 36EP3200A25 NOW 36EP3204D00		
REV. LTR: E	VERSION: 02	TDR: 000001105395
FILE: \AAA\00026\056	REVISED: 12:29:36 04/10/2019	BY: FGCHAH1
MTL: -		

**BALDOR - RELIANCE**®

HORZ 182-4TCZ OPSB 36M W/SCREENS (WEST COAST PUMP MTG)

SH 1 of 1

36LYH454

CD0005

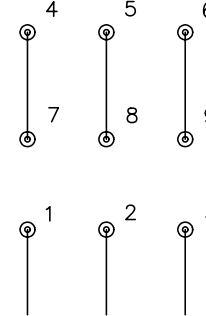


LOW VOLTAGE  
(2Y)



LINE

HIGH VOLTAGE  
(1Y)



LINE

NOTES:

1. INTERCHANGE ANY TWO LINE LEADS TO REVERSE ROTATION.
2. OPTIONAL THERMOSTATS ARE PROVIDED WHEN SPECIFIED.
3. ACTUAL NUMBER OF INTERNAL PARALLEL CIRCUITS MAY BE A MULTIPLE OF THOSE SHOWN ABOVE.
4. LEAD COLORS ARE OPTIONAL. LEADS MUST ALWAYS BE NUMBERED AS SHOWN.

REV. DESC: REVISE TO SHOW OPTIONAL COLORS			
REV. LTR: E	BY: JLP	REVISED: 01/19/99 10:15	TDR: 0171435
90000		FILE: AAA00005140	MDL: -
		MTL: -	

**BALDOR ELECTRIC Co.**

3PH, DV, 9 LEADS

CD0005