



FLEX-IN-1™ GENERAL PURPOSE MOTORS

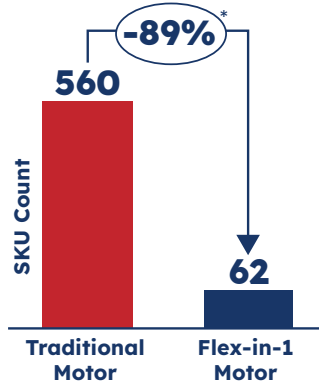
OCTOBER, 2022 | NORTH AMERICA



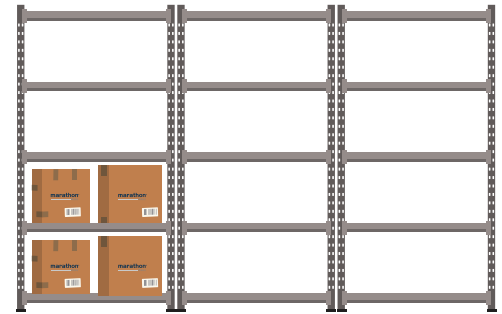


EASY CONFIGURATION, MORE STORAGE SPACE AND READILY AVAILABLE INVENTORY ON-THE-SHELF

Traditional Motor Offering



Flex-in-1™ Motor Offering



**When compared to stocking traditional general purpose motor inventory. Actual inventory SKU's and carrying cost savings may vary based on individual stocking needs.*

ONE FLEX-IN-1 MOTOR REPLACES 18 GENERAL PURPOSE MOTORS

- Just one motor meets multiple application needs
- Improve service levels by increasing motor availability
- Reduce your inventory carrying costs by as much as 84%* by stocking fewer SKU's
- Allows for fully stocked inventory with less shelf space
- Simpler motor selection process for both you and your customer

Out-of-the-box motor with provisions for:

- Adding SGR (Shaft Grounding Ring)
- Adding Brake
- Adding Drip Cover (ODP)
- Adding Lint Guard (TEFC)

Note: Kits sold separately.

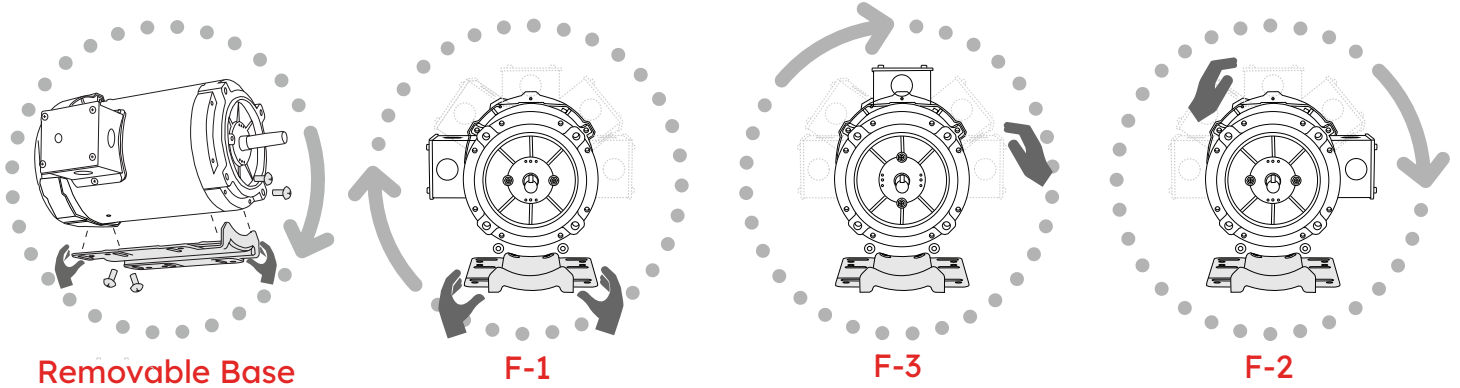
ONE FLEX-IN-1 MOTOR REPLACES THESE 18 MOTOR MODELS:

Hertz	Mounting	Conduit Box Location
60	RIGID	F-1
60	RIGID	F-2
60	RIGID	F-3
50	RIGID	F-1
50	RIGID	F-2
50	RIGID	F-3
60	C-FACE ROUND	F-1
60	C-FACE ROUND	F-2
60	C-FACE ROUND	F-3
50	C-FACE ROUND	F-1
50	C-FACE ROUND	F-2
50	C-FACE ROUND	F-3
60	C-FACE W/FEET	F-1
60	C-FACE W/FEET	F-2
60	C-FACE W/FEET	F-3
50	C-FACE W/FEET	F-1
50	C-FACE W/FEET	F-2
50	C-FACE W/FEET	F-3



CONFIGURABLE OPTIONS

1 MOTOR WITH 3 MOUNTING OPTIONS “OUT-OF-THE-BOX”



IT'S NOT YOUR ORDINARY MOTOR

- No need to order separate motors to meet your F-1, F-2 and F-3 needs
- The patent-pending Flex-in-1™ motor is easily configured into three mounting styles
- Three different conduit box location options in the same motor all by rotating the base around the periphery of the motor frame

THE FLEXIBILITY OF THREE MOUNTING OPTIONS:

- Rigid
- Rigid “C” (standard)
- C-face (round body)

SPECIFICATIONS:

- ODP & TEFC enclosures
- Inverter duty capable
 - 10:1 CT for TEFC
 - 2:1 CT for DP
- Multi-mount repositionable base & C-Face saves time during installation and offers flexibility in off-the-shelf solutions
- Mounting holes in frame and C-Face (at 90° increments) allows F-1/F-2/F-3 conduit box locations
- 180° rotatable conduit box -
 - with 360° lead access through 7/8” & 1-1/8” knockouts
- Combination mounting holes in base
 - 56/143 - Shorter base option
 - 56/56H/143/145 - Longer base option
- Double-sealed bearings offer longer life and less down time
- 3 Phase
- Class F insulation
- 56 Frame
- C-Face mounting
- Repositionable base
- Removable base





PURPOSEFUL INNOVATION

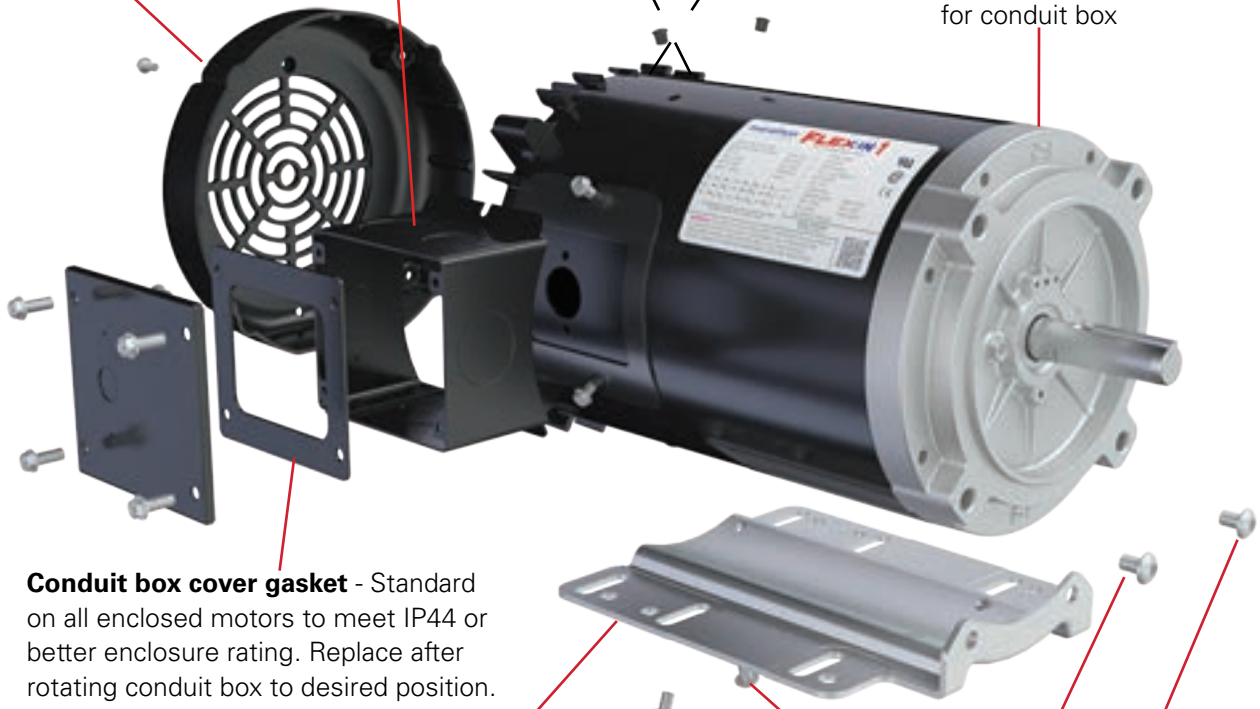
It's All In The Details - The patent-pending Flex-in-1™ motor was designed with innovation and purpose in mind. From the rotatable fan guard and conduit box, to the removable base each detail was created with intent.

Fan guard - Rotatable in 90° increments so flat can be positioned in-line with base if base is repositioned for F-2 or F-3 conduit box

180° Rotatable conduit box - with 360° lead access through - 7/8" & 1-1/8" knockouts

Hole plugs - In main frame for repositioning base for NEMA® F-2 & F-3 conduit box locations

"F-1, F-2 & F-3" Cast in end frame - Indicating base location for conduit box



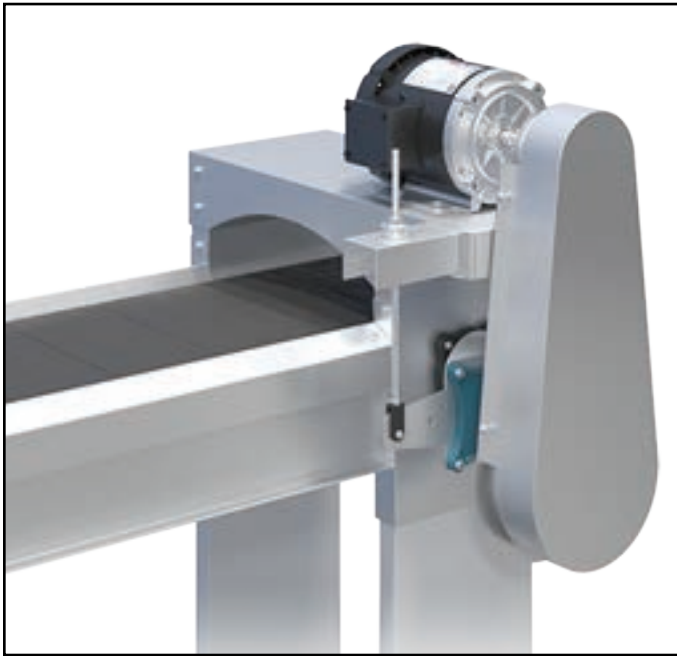
Conduit box cover gasket - Standard on all enclosed motors to meet IP44 or better enclosure rating. Replace after rotating conduit box to desired position. For conduit box hole and wiring of motor for desired voltage/rotation

Repositionable combination base - Holes and slots for NEMA 56, 56H, 143T and 145T mounting can be rotated for NEMA F-2 or F-3 conduit box locations (F-1 standard factory conduit box location)

Base to main frame and end frame mounting screws - For repositioning base for NEMA F-2 or F-3 conduit box locations

ONE MOTOR WITH MULTIPLE MOUNTING OPTIONS “OUT-OF-THE-BOX”

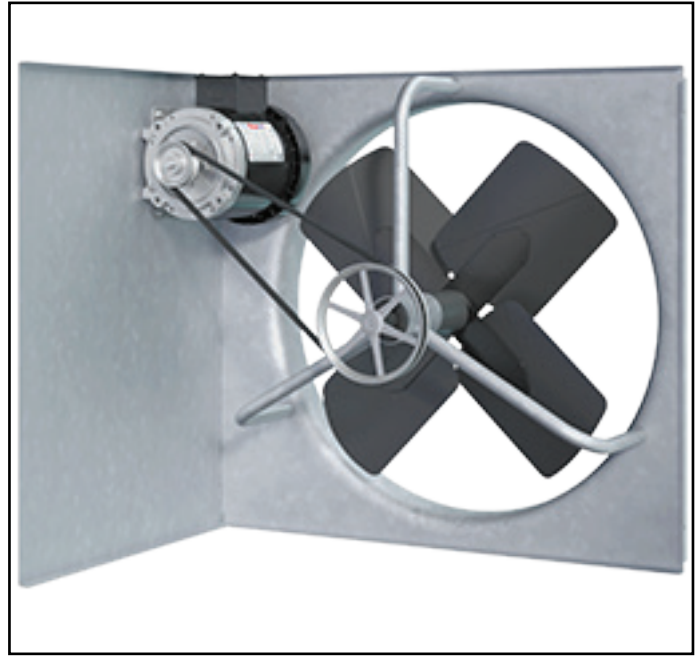
The Flex-in-1™ motor was designed specifically to be used in multiple applications. Simply remove the base if not needed, and rotate the conduit box around the periphery of the motor into the F-1, F-2, or F-3 mounting positions.



Flex-in-1 motor mounted on conveyor with the conduit box in the F-3 position.

Combination mounting holes in the motor base:

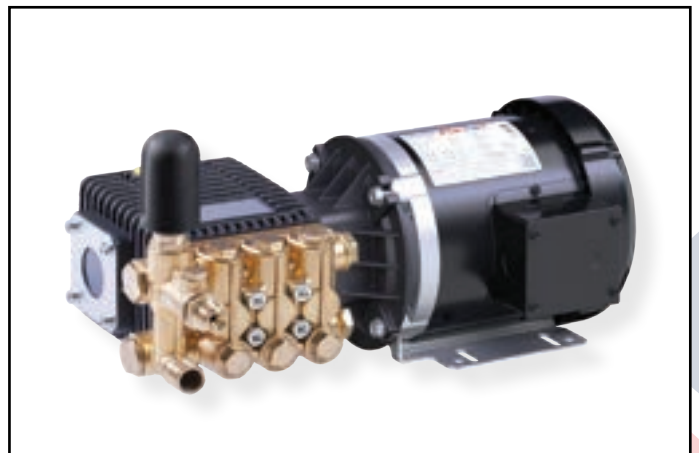
- 56/143 - Shorter Base
- 56/56H/143/145 - Longer Base



Flex-in-1 motor mounted on blower with the conduit box in the F-1 position.



Flex-in-1 motor mounted with the conduit box in the F-3 position.



Flex-in-1 motor mounted on a pump with the conduit box in the F-2 position.



MOTOR OPTIONS

3 PHASE- C-FACE WITH BASE

TOTALLY ENCLOSED FAN COOLED

New Flex-in-1™ Model Number	New Flex-in-1 Catalog Number	HP	RPM	Voltage	Frame	Enclosure	F.L. Amps	APP. WGT. (lbs)	Length (inches)
056T34F15665	FX13BK002	0.33	3600	208-230/460	56C	TE	1.8-1.8/9&1.85/92	21	10.80
056T17F15949	FX13BK004	0.33	1800	208-230/460	56C	TE	1.8-1.6/.8&1.6/.8	20	10.55
056T11F15539	FX13BK006	0.33	1200	208-230/460	56C	TE	1.9-2.2/1.1&2.4/1.2	20	10.55
056T34F15667	FX12BK002	0.5	3600	208-230/460	56C	TE	2-2.2/1.1&2.2/1.1	21	10.80
056T17F15948	FX12BK004	0.5	1800	208-230/460	56C	TE	2.3-2.4/1.2&2.2/1.1	24	11.05
056T11F15540	FX12BK006	0.5	1200	208-230/460	56C	TE	1.95-2.1/1.05&2.2/1.1	25	11.05
056T34F15669	FX34BK002	0.75	3600	208-230/460	56C	TE	3-3.2/1.6&3/1.5	23	10.80
056T17F15950	FX34BK004	0.75	1800	208-230/460	56C	TE	2.9-3/1.5&3/1.5	24	11.05
056T11F15542	FX34BK006	0.75	1200	208-230/460	56HC	TE	3.1-3.25/1.6&3.5/1.75	32	12.05
056T34F15680	FX01BK002	1	3600	208-230/460	56C	TE	3-3/1.5&3.2/1.6	26	11.30
056T17F15951	FX01BK004	1	1800	208-230/460	56HC	TE	3.10-3.13/1.55&3.6/1.8	42	13.05
056T11F15544	FX01BK006	1	1200	208-230/460	56HC	TE	3.8-3.8/1.9&4.2/2.1	48	13.80
056T34F15671	FX32BK002	1.5	3600	208-230/460	56HC	TE	4/2&4.6/2.3	37	12.30
056T17F15954	FX32BK004	1.5	1800	208-230/460	56HC	TE	4.7-4.6/2.3&5.4/2.7	45	13.30
056T34F15673	FX02BK002	2	3600	208-230/460	56HC	TE	5.6-5/2.5&6/3	46	13.55
056T17F15953	FX02BK004	2	1800	208-230/460	56HC	TE	6.2-6/3&6.8/3.4	48	13.80
056T34F15675	FX03BK002	3	3600	208-230/460	56HC	TE	8.2-76/3.8&9/4.5	45	13.30
056T34F15676	FX03FK001	3	3600	575	56HC	TE	3.05	45	13.30
056T34F15666	FX13FK001	0.33	3600	575	56C	TE	.7	21	10.80
056T17F15943	FX13FK002	0.33	1800	575	56C	TE	.64	20	10.55
056T34F15668	FX12FK001	0.5	3600	575	56C	TE	.9	21	10.80
056T17F15944	FX12FK003	0.5	1800	575	56C	TE	.95	24	11.05
056T11F15541	FX12FK004	0.5	1200	575	56C	TE	0.84	25	11.05
056T34F15670	FX34FK001	0.75	3600	575	56C	TE	1.3	23	10.80
056T17F15945	FX34FK003	0.75	1800	575	56C	TE	1.2	24	11.05
056T11F15543	FX34FK004	0.75	1200	575	56HC	TE	1.40	32	12.05
056T34F15679	FX01FK002	1	3600	575	56C	TE	1.1	23	10.80
056T17F15952	FX01FK004	1	1800	575	56HC	TE	1.3	42	13.05
056T34F15672	FX32FK001	1.5	3600	575	56HC	TE	1.6	37	12.30
056T17F15946	FX32FK003	1.5	1800	575	56HC	TE	1.85	45	13.30
056T34F15674	FX02FK002	2	3600	575	56HC	TE	2	46	13.55
056T17F15947	FX02FK004	2	1800	575	56HC	TE	2.4	48	13.80





MOTOR OPTIONS

3 PHASE- C-FACE WITH BASE OPEN DRIP PROOF

New Flex-in-1™ Model Number	New Flex-in-1 Catalog Number	HP	RPM	Voltage	Frame	Enclosure	F.L. Amps	APP. WGT. (lbs)	Length (inches)
056T34D15643	FX13BK001	0.33	3600	208-230/460	56C	DP	1.5-1.5/.75&1.6/.8	20	10.78
056T17D15843	FX13BK003	0.33	1800	208-230/460	56C	DP	1.15-1.2/.61&1.3/.66	25	11.03
056T11D15532	FX13BK005	0.33	1200	208-230/460	56C	DP	1.2-1.4/.7&1.6/.8	29	11.78
056T34D15644	FX12BK001	0.5	3600	208-230/460	56C	DP	1.96-2.0/1.0&2/1	20	10.78
056T17D15844	FX12BK003	0.5	1800	208-230/460	56C	DP	1.8/.9&1.6/.8	27	11.53
056T11D15533	FX12BK005	0.5	1200	208-230/460	56HC	DP	2.1-2.2/1.1&3/1.5	30	12.03
056T34D15645	FX34BK001	0.75	3600	208-230/460	56C	DP	2.5-2.6/1.3&2.6/1.3	23	11.03
056T17D99082	FX34BK003	0.75	1800	208-230/460	56HC	DP	2.6/1.3&2.2/1.1	30	12.03
056T11D15534	FX34BK005	0.75	1200	208-230/460	56HC	DP	2.75-2.8/1.4&2.4/1.2	44	13.78
056T34D15646	FX01BK001	1	3600	208-230/460	56HC	DP	3-2.8/1.4&3.2/1.6	23	11.03
056T17D99083	FX01BK003	1	1800	208-230/460	56HC	DP	3.1-3.2/1.6&2.6/1.3	36	12.53
056T11D15535	FX01BK005	1	1200	208-230/460	56HC	DP	3.5-3.4/6.8&3.9/7.8	48	14.28
056T34D15648	FX32BK001	1.5	3600	208-230/460	56HC	DP	4-3.8/1.9&4.4/2.2	40	13.03
056T17D15850	FX32BK003	1.5	1800	208-230/460	56HC	DP	4.4/2.2&5/2.5	44	13.78
056T34D15650	FX02BK001	2	3600	208-230/460	56HC	DP	5.5-5.4/2.7&6.2/3.1	43	12.28
056T17D15851	FX02BK003	2	1800	208-230/460	56HC	DP	6.2-6/3&6.6/3.3	46	14.03
056T34D15652	FX03BK001	3	3600	208-230/460	56HC	DP	8.2-7.6/3.8&8.8/4.4	43	13.28
056T17D15852	FX03BK003	3	1800	208-230/460	56HC	DP	--	49	--
056T17D15845	FX12FK002	0.5	1800	575	56C	DP	0.7	27	11.53
056T17D15846	FX34FK002	0.75	1800	575	56HC	DP	1.1	30	12.03
056T34D15647	FX01FK001	1	3600	575	56HC	DP	1.1	23	11.03
056T17D15847	FX01FK003	1	1800	575	56HC	DP	1.3	36	12.53
056T17D15848	FX32FK002	1.5	1800	575	56HC	DP	1.75	44	13.78
056T34D15651	FX02FK001	2	3600	575	56HC	DP	2.2	43	12.28
056T17D15849	FX02FK003	2	1800	575	56HC	DP	2.4	46	14.03



									Competitive Cross Reference		
Original Part Number	Corresponding Catalog/ Model	HP	RPM	Phase	Voltage	Enclosure	Frame	Mounting	ABB Cross	Nidec Cross	Weg Cross
E100375.00	C4T34DC45A	0.33	3600	3	208-230/460	DP	S56C	C-Face (Round)			
5K35FN55	KG215	0.33	3600	3	208-230/460	DP	56C	C-Face (Round)	KEM30006		.3336OT3E56CFLS
H251ES	H251ES	0.33	3600	3	208-230/460	ODP	56	C-Face (Round)			
056T17D11051	G046A	0.33	1800	3	208-230/460	ODP	56	Rigid			
056T17D11052	K1305A	0.33	1800	3	208-230/460	ODP	56	Rigid "C"			
056T17D11053	K247A	0.25	1800	3	208-230/460	ODP	56	C-Face (Round)			
056T17D11050	K248A	0.33	1800	3	208-230/460	ODP	56	C-Face (Round)	VEM31104	D13P2ACR	.3318OT3E56CFLS
056T17D11049	G047A	0.33	1800	3	208-230/460	ODP	56	Rigid	EM31104	D13P2AH	.3318OT3E56-S
E100027.00	C4T17DH45A	0.25	1800	3	208-230/460	DP	S56	Rigid			
E103014.00	C4T17DC55A	0.25	1800	3	208-230/460	DP	S56C	C-Face (Round)			
E103017.00	C4T17DH46A	0.33	1800	3	208-230/460	DP	S56	Rigid			
E103021.00	C4T17DK15A	0.33	1800	3	208-230/460	DP	S56C	Rigid "C"			
E102695.00	C4T17DC56A	0.33	1800	3	208-230/460	DP	S56C	C-Face (Round)	VEM31104	D13P2ACR	.3318OT3E56CFLS
H158LES	H158LES	0.33	1800	3	208-230/460	DP	56C	C-Face (Round)			
H262LES	H262LES	0.33	1800	3	208-230/460	DP	56	Rigid			
LM34049	SRD4B0.33T61	0.33	1800	3	208-230/460	DP	S56	Rigid			
H262L	H262L	0.33	1800	3	230/460	ODP	56	Rigid			
H158L	H158L	0.33	1800	3	230/460	ODP	56C	C-Face (Round)			
H204	H204	0.25	1200	3	230/460	ODP	56	Rigid			
056T11D11005	G061A	0.33	1200	3	208-230/460	ODP	56	Rigid			
H024ES	H024ES	0.33	1200	3	208-230/460	DP	56C	Rigid "C"			
E110425.00	C6T11DB24A	0.33	1200	3	208-230/460	DP	56	Rigid			
H021ES	H021ES	0.25	1200	3	208-230/460	DP	56C	Rigid "C"			
H267	H267	0.33	1200	3	208-230/460	ODP	56	RIGID			
H267ES	H267ES	0.33	1200	3	208-230/460	DP	56	Rigid			
H204ES	H204ES	0.25	1200	3	208-230/460	DP	56	Rigid	EM31101		.2512OT3E56-S
H024	H024	0.33	1200	3	230/460	ODP	56C	Rigid "C"			
5K36JN57	K216	0.5	3600	3	208-230/460	DP	56C	C-Face (Round)	VEM31107		.5036OT3E56CFLS
056T34D15595	K027A	0.5	3600	3	208-230/460	ODP	56	Rigid			
056T34D15603	K1306A	0.5	3600	3	208-230/460	ODP	56	Rigid "C"			
056T34D5326	G241	0.5	3600	3	208-230/460	DP	56	C-Face (Round)			
E100056.00	C4T34DC46A	0.5	3600	3	208-230/460	DP	S56C	C-Face (Round)			
H437ES	H437ES	0.5	3600	3	208-230/460	ODP	56	Rigid			
H254ES	H254ES	0.5	3600	3	208-230/460	ODP	56	C-Face (Round)			
056T17DRC70004A1	K249B	0.5	1800	3	208-230/460	DP	56C	C-Face (Round)	VEM31108	D12P2ACR	.5018OT3E56CFLS
E119351.00	C6T17DB113B	0.5	1800	3	208-230/460	DP	56	Rigid	EM31108	D12P2AH	.5018OT3E56-S
056T17D11044	G062A	0.5	1800	3	208-230/460	DP	56	Rigid			
056T17DRR70040A1	G063B	0.5	1800	3	208-230/460	DP	56	Rigid	EM31108A		.5018OT3E56-S
056T17D15908	G063A	0.5	1800	3	208-230/460	DP	56	Rigid			
056T17D15910	K1307A	0.5	1800	3	208-230/460	ODP	56	Rigid "C"	CEM31108		.5018ES3E56C-S
056T17D15909	K249A	0.5	1800	3	208-230/460	DP	56	C-Face (Round)			
5K42JN4163	K318	0.5	1800	3	208-230/460	ODP	56	Rigid			
E119352.00	C6T17DC97B	0.5	1800	3	208-230/460	DP	56C	C-Face (Round)			
E119353.00	C6T17DK40A	0.5	1800	3	208-230/460	DP	56C	Rigid "C"			
H273LES	H273LES	0.5	1800	3	208-230/460	ODP	56	RIGID			
LM34050	SRD4B0.5T61	0.5	1800	3	208-230/460	DP	56	Rigid			
H358LES	H358LES	0.5	1800	3	208-230/460	ODP	56C	Rigid "C"			
056T17DRR70047A1	G062B	0.5	1800	3	208	DP	56	Rigid			
H273L	H273L	0.5	1800	3	230/460	ODP	56	Rigid			
H358L	H358L	0.5	1800	3	230/460	ODP	56C	Rigid "C"			
056T11D15522	G067A	0.5	1200	3	208-230/460	DP	56	Rigid			

Original Part Number	Corresponding Catalog/ Model	HP	RPM	Phase	Voltage	Enclosure	Frame	Mounting	Competitive Cross Reference		
									ABB Cross	Nidec Cross	Weg Cross
056T11D15523	K1299A	0.5	1200	3	208-230/460	DP	56	C-Face (Round)			
E11002700	C6T11DB22A	0.5	1200	3	208-230/460	DP	56	Rigid			
E110434.00	C6T11DC12A	0.5	1200	3	208-230/460	DP	56C	C-Face (Round)			
H025ES	H025ES	0.5	1200	3	208-230/460	ODP	56	C-Face (Round)			
H025	H025	0.5	1200	3	208-230/460	ODP	56C	C-Face (Round)			
H279	H279	0.5	1200	3	208-230/460	ODP	56	RIGID			
H279ES	H279ES	0.5	1200	3	208-230/460	ODP	56	Rigid			
056T11DRR70003A1	G067B	0.5	1200	3	230/460	DP	56	Rigid	EM31109	D12P3AH	.50120T3E56-S
056T34D15593	G080A	0.75	3600	3	208-230/460	ODP	56	Rigid			
E100378.00	C4T34DC3F	0.75	3600	3	208-230/460	DP	S56C	C-Face (Round)			
E101449.00	C4T34DH8E	0.75	3600	3	208-230/460	DP	S56	Rigid			
E102971.00	C4T34DK9C	0.75	3600	3	208-230/460	DP	S56C	Rigid "C"			
H377	H377	0.75	3600	3	208-230/460	ODP	56	RIGID			
H377ES	H377ES	0.75	3600	3	208-230/460	ODP	56	Rigid			
H476ES	H476ES	0.75	3600	3	208-230/460	ODP	56	Rigid "C"			
H508ES	H508ES	0.75	3600	3	208-230/460	ODP	56	C-Face (Round)			
056T17D11055	G084A	0.75	1800	3	208-230/460	DP	56	Rigid			
056T17D15906	K250A	0.75	1800	3	208-230/460	DP	56	C-Face (Round)			
056T17D15907	K1308A	0.75	1800	3	208-230/460	DP	56	Rigid "C"			
056T17D15939	G084B	0.75	1800	3	208-230/460	DP	56	Rigid			
056T17DRC70002A1	K250B	0.75	1800	3	208-230/460	DP	56C	C-Face (Round)	VEM31116	D34P2ACR	.75180T3E56CFLS
056T17DRR70034A1	G084C	0.75	1800	3	208-230/460	DP	56	Rigid	EM31112	D34P2AH	.75180T3E56-S
056T17DRR70046A2	OB3075ES	0.75	1800	3	208-230/460	ODP	56	Rigid			
E114934.00	C6T17DC68C	0.75	1800	3	208-230/460	DP	56C	C-Face (Round)			
5K46KN4085X	K1410	0.75	1800	3	208-230/460	DP	56	Resilient	RM3112A		
E116738.00	C6T17DB95B	0.75	1800	3	208-230/460	DP	56	Rigid			
E116762.00	C6T17DK30B	0.75	1800	3	208-230/460	DP	56C	Rigid "C"			
H379AES	H379AES	0.75	1800	3	208-230/460	ODP	56C	C-Face (Round)			
056T17DRK70003A1	K1308B	0.75	1800	3	230/460	DP	56C	Rigid "C"	CEM31112		.7518ES3E56C-S
H581AES	H581AES	0.75	1800	3	208-230/460	ODP	56	Rigid			
LM34051	SRD4B0.75T61	0.75	1800	3	208-230/460	DP	56	Rigid			
LM34055	SRD4B0.75TC61	0.75	1800	3	208-230/460	DP	S56C	Rigid "C"			
OB3075ES	OB3075ES	0.75	1800	3	208-230/460	ODP	56	Rigid			
H585AES	H585AES	0.75	1800	3	208-230/460	DP	56C	Rigid "C"			
056T11D15524	K1300A	0.75	1200	3	208-230/460	ODP	56	Rigid "C"			
E116728.00	C6T11DC13A	0.75	1200	3	208-230/460	DP	56C	C-Face (Round)	R51:T93		
H027	H027	0.75	1200	3	208-230/460	ODP	56C	C-Face (Round)			
H467	H467	0.75	1200	3	208-230/460	ODP	56	RIGID			
H467ES	H467ES	0.75	1200	3	208-230/460	ODP	56	Rigid			
056T11D15525	G088A	0.75	1200	3	208-230/460	DP	56	Rigid			
E110028.00	C6T11DB23A	0.75	1200	3	208-230/460	DP	56	Rigid	EM31153		.75120T3E56-S
H027ES	H027ES	0.75	1200	3	208-230/460	ODP	56C	C-Face (Round)			
056T11DRR70004A1	G088B	0.75	1200	3	230/460	DP	56	Rigid			
H028	H028	0.75	1200	3	230/460	ODP	56	Rigid			
H028ES	H028ES	0.75	1200	3	230/460	ODP	56	Rigid			
056T34D15600	K000A	1	3600	3	208-230/460	ODP	56	Rigid			
056T34D6001	U244	1	3600	3	208-230/460	ODP	56	Rigid			
5K38PN47	K220	1	3600	3	208-230/460	DP	56C	C-Face (Round)	VEM31115		001360T3E56CFLS
E110111.00	C6T34DC107A	1	3600	3	208-230/460	DP	56C	C-Face (Round)			
H511ES	H511ES	1	3600	3	208-230/460	ODP	56	C-Face (Round)			
H583ES	H583ES	1	3600	3	208-230/460	ODP	56	Rigid "C"			

Original Part Number	Corresponding Catalog/Model	HP	RPM	Phase	Voltage	Enclosure	Frame	Mounting	Competitive Cross Reference		
									ABB Cross	Nidec Cross	Weg Cross
H602	H602	1	3600	3	208-230/460	ODP	56	Rigid			
H602ES	H602ES	1	3600	3	208-230/460	ODP	56	Rigid			
E110426.00	C6T34DB40A	1	3600	3	208-230/460	DP	56	Rigid	EM31115		001360T3E56-S
116128.00	C6T34DB30B	1	3600	3	230/460	ODP	56	Rigid			
056T17D11047	K003A	1	1800	3	208-230/460	DP	56	Rigid			
056T17D15915	K004A	1	1800	3	208-230/460	ODP	56	Rigid	EM31116	D1P2AH	001180T3E56-S
056T17D15916	K251A	1	1800	3	208-230/460	DP	56	C-Face (Round)			
056T17D15917	K635A	1	1800	3	208-230/460	ODP	56	Rigid "C"			
056T17D2092	K004	1	1800	3	208-230/460	DP	56	Rigid			
056T17DRC70006A2	H258LES	1	1800	3	208-230/460	ODP	56	C-Face (Round)			
056T17DRR70051A2	H614LES	1	1800	3	208-230/460	ODP	56	Rigid			
056T17D15955	K004B	1	1800	3	208-230/460	ODP	56	Rigid			
E116752.00	C6T17DB92B	1	1800	3	208-230/460	DP	56	Rigid			
E116763.00	C6T17DK33B	1	1800	3	208-230/460	DP	56C	Rigid "C"			
E116740.00	C6T17DC80B	1	1800	3	208-230/460	DP	56C	C-Face (Round)	VEM31116		001180T3E56CFLS
H258LES	H258LES	1	1800	3	208-230/460	ODP	56C	Rigid "C"			
H614LES	H614LES	1	1800	3	208-230/460	ODP	56H	Rigid			
OB3104ES	OB3104ES	1	1800	3	208-230/460	ODP	56	Rigid			
LM34052	SRD4B1T61	1	1800	3	208-230/460	DP	56	Rigid			
LM34056	SRD4B1TC61	1	1800	3	208-230/460	DP	56	Rigid			
056T17DRR70052A2	OB3104ES	1	1800	3	208-230/460	DP	56	Rigid			
056T11D15526	K007A	1	1200	3	208-230/460	ODP	56	Rigid			
H526ES	H526ES	1	1200	3	208-230/460	ODP	56	Rigid	EM31156		001120T3E56-S
056T34D15599	K009A	1.5	3600	3	208-230/460	ODP	56	Rigid	EM31120		001560T3E56-S
056T34D15601	K690A	1.5	3600	3	208-230/460	ODP	56	Rigid "C"			
5K46KN2173	K222	1.5	3600	3	208-230/460	DP	56C	C-Face (Round)	VEM31120	D32P1ACR	001560T3E56CFLS
E110437.00	C6T34DC106B	1.5	3600	3	208-230/460	DP	56C	C-Face (Round)			
E116753.00	C6T34DB31B	1.5	3600	3	208-230/460	DP	56	Rigid			
E116785.00	C6T34DK26B	1.5	3600	3	208-230/460	DP	56C	Rigid "C"			
H756	H756	1.5	3600	3	208-230/460	ODP	56H	Rigid			
H609	H609	1.5	3600	3	230/460	ODP	56C	C-Face (Round)			
056T17DRR70039A2	H884LES	1.5	1800	3	208-230/460	ODP	56	Rigid			
056T17D15911	K022A	1.5	1800	3	208-230/460	DP	56H	Rigid			
056T17D15912	K521A	1.5	1800	3	208-230/460	DP	56	C-Face (Round)			
056T17D15914	K646A	1.5	1800	3	208-230/460	DP	56	Rigid "C"			
056T17D15941	K022B	1.5	1800	3	208-230/460	DP	56H	Rigid			
056T17D15942	K521B	1.5	1800	3	208-230/460	DP	56	C-Face (Round)			
056T17D15944	K646B	1.5	1800	3	208-230/460	DP	56H	Rigid "C"			
056T17D5344	G923	1.5	1800	3	208-230/460	DP	56H	Rigid			
056T17DRR70042A2	H534LES	1.5	1800	3	208-230/460	ODP	56	Rigid			
056T17DRR70035A1	K022C	1.5	1800	3	230/460	DP	56H	Rigid	EM31154	D32P2AH	001580T3E56-S
056T17DRR70011A1	G923A	1.5	1800	3	208-230/460	ODP	56	Rigid	EM31154A		
056T17DRC70005A1	K521C	1.5	1800	3	230/460	DP	56C	C-Face (Round)	VEM31154	D32P2ACR	001580T3E56CFLS
E116741.00	C6T17DC81B	1.5	1800	3	208-230/460	DP	56C	C-Face (Round)			
E116754.00	C6T17DB91B	1.5	1800	3	208-230/460	DP	56	Rigid			
E116764.00	C6T17DK32B	1.5	1800	3	208-230/460	DP	56C	Rigid "C"			
H534LES	H534LES	1.5	1800	3	208-230/460	ODP	56H	Rigid			
H884LES	H884LES	1.5	1800	3	208-230/460	DP	56H	Rigid			
H930LES	H930LES	1.5	1800	3	208-230/460	DP	56C	C-Face (Round)			
LM34053	SRD4B1.5T61	1.5	1800	3	208-230/460	DP	56H	Rigid			
LM34057	SRD4B1.5TC61	1.5	1800	3	208-230/460	DP	56HC	Rigid "C"			

Original Part Number	Corresponding Catalog/ Model	HP	RPM	Phase	Voltage	Enclosure	Frame	Mounting	Competitive Cross Reference		
									ABB Cross	Nidec Cross	Weg Cross
OB3154ES	OB3154ES	1.5	1800	3	208-230/460	ODP	56H	Rigid			
056B17DRK70009A1	K646C	1.5	1800	3	230/460	DP	56HC	Rigid *C			00158ET3E56C-S
056T34D15598	K025A	2	3600	3	208-230/460	ODP	56	Rigid			
056T34D15602	K1311A	2	3600	3	208-230/460	ODP	56	Rigid *C			
5K49NN2180	K224	2	3600	3	208-230/460	DP	56C	C-Face (Round)	VEM31155	D2P1ACR	00236OT3E56CFLS
E113894.00	C6T34DC104A	2	3600	3	208-230/460	DP	56C	C-Face (Round)			
E114218.00	C6T34DK25A	2	3600	3	208-230/460	DP	56C	Rigid *C			
E116755.00	C6T34DB38A	2	3600	3	208-230/460	DP	56	Rigid			
H612	H612	2	3600	3	208-230/460	DP	56C	C-Face (Round)			
H711	H711	2	3600	3	208-230/460	DP	56C	Rigid *C			
H711ES	H711ES	2	3600	3	208-230/460	ODP	56	Rigid *C			
H612ES	H612ES	2	3600	3	200-230/460	ODP	56C	C-Face (Round)	VEM31155		00236OS3EJPR56C-S
056T17D15717	K648A	2	1800	3	208-230/460	ODP	56	Rigid *C			
056T17D15718	K644A	2	1800	3	208-230/460	ODP	56	C-Face (Round)	VEM31157	D2S2ACR	00218OT3E56CFLS
056T17D15715	K041A	2	1800	3	208-230/460	ODP	56	Rigid	EM31157	D2P2AH	00218OT3E56-S
E116742.00	C6T17DC82B	2	1800	3	208-230/460	DP	56C	C-Face (Round)			
E116756.00	C6T17DB96B	2	1800	3	208-230/460	DP	56H	Rigid			
E116765.00	C6T17DK31B	2	1800	3	208-230/460	DP	56HC	Rigid *C			
H181LES	H181LES	2	1800	3	208-230/460	DP	56	Rigid			
LM34054	SRD4B2T61	2	1800	3	208-230/460	DP	56H	Rigid			
LM34058	SRD4B2TC61	2	1800	3	208-230/460	DP	56HC	Rigid *C			
OB3204ES	OB3204ES	2	1800	3	208-230/460	DP	56H	Rigid			
H710LES	H710LES	2	1800	3	208-230/460	DP	56C	C-Face (Round)			
H181L	H181L	2	1800	3	230/460	ODP	56	Rigid			
056T34D15597	G289A	3	3600	3	230/460	ODP	56	C-Face (Round)			
5K48TN2182	K226	3	3600	3	208-230/460	ODP	56C	C-Face (Round)	VEM31158		00336OT3E56CFLS
E113293.00	C6T34DB37A	3	3600	3	230/460	DP	56H	Rigid			
E114420.00	C6T34DC105A	3	3600	3	230/460	DP	56C	C-Face (Round)			
H742ES	H742ES	3	3600	3	208-230/460	ODP	56	Rigid *C	VEM31158		00336ET3E56C-S
056T34D15596	K048A	3	3600	3	230/460	DP	56H	Rigid	EM31158		00336OT3E56-S
056T34D5340	K048	3	3600	3	230/460	ODP	56H	Rigid			
H736	H736	3	3600	3	208-230/460	ODP	56C	C-Face (Round)			
056T17D3304	K066	3	1800	3	230/460	ODP	56HZ	Rigid			
056T17D5398	H803	3	1800	3	230/460	ODP	56HZ	Rigid	M3161T	D3P2AHZ	00318OT3E56Z-S
056T17D3308	K080	3	1800	3	230/460	ODP	56HZ	Rigid	M3161TA		
H887L	H887L	3	1800	3	208-230/460	ODP	56HZ	Rigid			
056T17D11043	G065A	0.5	1800	3	575	DP	56	Rigid			
056T17D11045	G242A	0.5	1800	3	575	DP	56	C-Face (Round)			
056T17DRR70045A1	G065B	0.5	1800	3	575	DP	56	Rigid	EM31116-5		.5018OT3H56-S
H991LES	H991LES	0.5	1800	3	575	ODP	56	Rigid			
LM34062	SRD4B0.5T65	0.5	1800	3	575	DP	56	Rigid			
056T17D11040	G086A	0.75	1800	3	575	DP	56	Rigid			
056T17D11042	G243A	0.75	1800	3	575	DP	56	C-Face (Round)			
056T17DRR70044A1	G086B	0.75	1800	3	575	DP	56	Rigid	EM31112-5		.7518OT3H56-S
H992LES	H992LES	0.75	1800	3	575	ODP	56	Rigid			
LM34063	SRD4B0.75T65	0.75	1800	3	575	ODP	56	Rigid			
H992L	H992L	0.75	1800	3	575	ODP	56	Rigid			
LM34064	SRD2B1T65	1	3600	3	575	DP	56	Rigid			
056T17D11046	K049A	1	1800	3	575	DP	56	Rigid			

									Competitive Cross Reference		
Original Part Number	Corresponding Catalog/Model	HP	RPM	Phase	Voltage	Enclosure	Frame	Mounting	ABB Cross	Nidec Cross	Weg Cross
056T17D11048	G244A	1	1800	3	575	DP	56	C-Face (Round)			
056T17D2130	K049	1	1800	3	575	DP	56	Rigid			
056T17DRR70066A1	K049C	1	1800	3	575	DP	56	Rigid			
H993LES	H993LES	1	1800	3	575	ODP	56	Rigid			
LM34065	SRD4B1T65	1	1800	3	575	DP	56	Rigid			
H993L	H993L	1	1800	3	575	ODP	56	Rigid			
056T17D15913	K061A	1.5	1800	3	575	DP	56H	Rigid			
056T17D15943	K061B	1.5	1800	3	575	DP	56H	Rigid			
056T17D5369	EKK061	1.5	1800	3	575	DP	56H	Rigid			
LM34067	SRD4B1.5T65	1.5	1800	3	575	DP	56H	Rigid			
056T17DRR70048A1	K061C	1.5	1800	3	575	ODP	56H	Rigid			
H628	H628	2	3600	3	575	ODP	56	C-Face (Round)			
056T17D15716	K062A	2	1800	3	575	ODP	56	Rigid			
056T17D5370	K062	2	1800	3	575	DP	56H	Rigid			
H965V1ES	H965V1ES	2	1800	3	575	DP	56	Rigid			
H965V1	H965V1	2	1800	3	575	ODP	56	Rigid			
LM25063	SRD4S2T65	2	1800	3	575	ODP	56H	Rigid			
LM34069	SRD4B2T65	2	1800	3	575	ODP	56H	Rigid			
056T34T5303	D390	0.33	3600	3	208-230/460	TENV	56	Rigid (Bolt-On) "C"	CNM3457		.3336ES3E56C-S
110446.00	C6T34NC2E	0.33	3600	3	208-230/460	TENV	56C	C-Face (Round)	KM3457	T13S1ACR	.3318ES3E56CFLS
10268700	C4T28FC2B	0.33	3600	3	208-230/460	TEFC	S56C	Rigid "C"			
H1001	H1001	0.33	3600	3	208-230/460	TEFC	56	Rigid "C"			
H288	H288	0.33	3600	3	208-230/460	TENV	56	C-Face (Round)			
H238	H238	0.33	3600	3	208-230/460	TENV	56	Rigid			
056T34T5306	P101	0.33	3600	3	208-230/460	TENV	56C	C-Face (Round)			
5K49DN4130	K252	0.25	1800	3	208-230/460	TENV	56	Rigid "C"	KNM3454	U14S2DCR	
5K42FN4035	K1322	0.33	1800	3	208-230/460	TEFC	56	Rigid "C"	CM3534	U13S2AC	.3318ES3E56C-S
H157V1	H157V1	0.25	1800	3	208-230/460	TENV	56	C-Face (Round)			
102696.00	C4T17FC33A	0.33	1800	3	208-230/460	TEFC	S56C	C-Face (Round)	KENM3534		.3318ES3E56CFLS
056T17F2051	G565	0.25	1800	3	208-230/460	TEFC	56	Rigid "C"			
5K49FN4136	K154	0.33	1800	3	208-230/460	TEFC	56	Rigid	M3534	T13S2A	.3318ES3E56S-S
101079.00	C4T17FH6C	0.33	1800	3	208-230/460	TEFC	S56	Rigid			
101648.00	C4T17NC28E	0.25	1800	3	208-230/460	TENV	S56C	C-Face (Round)			
101649.00	C4T17NH8D	0.25	1800	3	208-230/460	TENV	S56	Rigid			
102183.00	C4T14FH1B	0.33	1800	3	208-230/460	TEFC	S56	Rigid			
102184.00	C4T14FC2B	0.25	1800	3	208-230/460	TEFC	S56C	C-Face (Round)			
102689.00	C4T14FC4A	0.33	1800	3	208-230/460	TEFC	S56C	C-Face (Round)			
102697.00	C4T17FK5B	0.33	1800	3	208-230/460	TEFC	S56C	Rigid "C"			
101769.00	C4T17FC10B	0.33	1800	3	208-230/460	TEFC	S56C	C-Face (Round)	VM3534	U13S2ACR	.3318ES3E56CFLS
102920.00	C4T17NH13A	0.33	1800	3	208-230/460	TENV	S56	Rigid			
102921.00	C4T17NK3A	0.33	1800	3	208-230/460	TENV	S56C	Rigid "C"			
102922.00	C4T17FK11A	0.33	1800	3	208-230/460	TEFC	S56C	Rigid "C"			
103019.00	C4T17FH12A	0.33	1800	3	208-230/460	TEFC	S56	Rigid			
056T17T5305	G580	0.33	1800	3	208-230/460	TENV	56	Rigid (Bolt-On) "C"	CM3534	U13S2AC	.3318ES3E56C-S
102863.00	C4T17NC47A	0.33	1800	3	208-230/460	TENV	S56C	C-Face (Round)	KNM3534		.3318ES3E56CFLS
101767.00	C4T17FC9B	0.25	1800	3	208-230/460	TEFC	S56C	C-Face (Round)	KM3454	U14S2DCR	
114889.00	C6T14FC5C	0.33	1800	3	208-230/460	TEFC	56C	C-Face (Round)	VM3534-57		
5K49DN4131	K439	0.25	1800	3	208-230/460	TENV	56	Rigid			
5K49FN4129	K196	0.33	1800	3	208-230/460	TENV	56	Rigid			

Original Part Number	Corresponding Catalog/Model	HP	RPM	Phase	Voltage	Enclosure	Frame	Mounting	Competitive Cross Reference		
									ABB Cross	Nidec Cross	Weg Cross
H1002L	H1002L	0.33	1800	3	208-230/460	TEFC	56	Rigid "C"			
H688L	H688L	0.33	1800	3	208-230/460	TEFC	56	Rigid			
LM24093	SRF4S0.33TCN61	0.33	1800	3	208-230/460	TEFC	S56C	C-Face (Round)			
LM24107	SRF4S0.33T61	0.33	1800	3	208-230/460	TEFC	56	Rigid			
LM24114	SRF4S0.33TC61	0.33	1800	3	208-230/460	TEFC	S56C	Rigid "C"			
LM24964	SRF4S0.25TCN61	0.25	1800	3	208-230/460	TEFC	56C	C-Face (Round)			
H263L	H263L	0.33	1800	3	208-230/460	TENV	56	Rigid			
5K33JNA943	K253	0.33	1800	3	208-230/460	TEFC	56	C-Face (Round)			
H159L	H159L	0.33	1800	3	208-230/460	TENV	56	C-Face (Round)			
5K36PN30	K155	0.33	1200	3	208-230/460	TEFC	56	Rigid	M3535		
110441.00	C6T11FB5E	0.33	1200	3	208-230/460	TEFC	56	Rigid			
5K35MN75	K321	0.25	1200	3	208-230/460	TEFC	56	Rigid			
H1003	H1003	0.25	1200	3	200-230/460	TEFC	56C	Rigid "C"			
056T11F5311	G586	0.25	1200	3	208-230/460	TEFC	56	Rigid (Bolt-On) "C"	CNM3531		
H1040	H1040	0.33	1200	3	200-230/460	TEAO	56	Rigid			
113311.00	C6T11FC16F	0.33	1200	3	208-230/460	TEFC	56C	C-Face (Round)	VM3535	T13S3DCR	
056T11F5310	G587	0.33	1200	3	208-230/460	TEFC	56	Rigid (Bolt-On) "C"	KENM3535	U13S3AC	
H268	H268	0.33	1200	3	200-230/460	TENV	56	Rigid			
LM24858	SRF6S0.33TCN61	0.33	1200	3	208-230/460	TEFC	56C	C-Face (Round)			
H031	H031	0.33	1200	3	200-230/460	TENV	56	C-Face (Round)	KENM3535		
110144.00	C6T34NC1E	0.5	3600	3		TENV	56C	C-Face (Round)	VNM3537	T12S1ACR	.5036ES3E56CFLS
056T34F5328	G308	0.5	3600	3		TEFC	56	Rigid			
102691.00	C4T28FC1B	0.5	3600	3		TEFC	S56C	C-Face (Round)			
110143.00	C6T34NB1D	0.5	3600	3		TENV	56	Rigid			
110182.00	C6T34NK1E	0.5	3600	3		TENV	56C	Rigid "C"	CM3537	U12S1AC	.5036ES3E56C-S
114142.00	C6T34FK46D	0.5	3600	3		TEFC	56C	Rigid "C"			
056T34F5301	D391	0.5	3600	3		TEFC	56	Rigid (Bolt-On) "C"	CM3537	U12S1AC	.5036ES3E56C-S
056T34F5308	G569	0.5	3600	3		TEFC	56	Rigid "C"	CM3537	U12S1AC	.5036ES3E56C-S
H1004	H1004	0.5	3600	3		TEFC	56	Rigid "C"			
H473	H473	0.5	3600	3		TENV	56	C-Face (Round)	VNM3537		
H271	H271	0.5	3600	3	208-230/460	TEFC	56	RIGID			
114176.00	C6T34FC42E	0.5	3600	3		TEFC	56C	C-Face (Round)	VM3537	T12S1ACR	.5036ES3E56CFLS
LM24129	SRF2S0.5TC61	0.5	3600	3		TEFC	56C	Rigid "C"			
056T34F5321	P102	0.5	3600	3	230/460	TEFC	56C	C-Face (Round)			
102918.00	C4T17NH12A	0.5	1800	3	208-230/460	TENV	S56	Rigid	NM3538	T12S2A	.5018ES3E56-S
5K35MNB114	K254	0.5	1800	3	208-230/460	TEFC	56C	C-Face (Round)			
5K35MNB117	K158	0.5	1800	3	208-230/460	TEFC	56	Rigid	M3538	T12S2A	.5018ES3E56-S
102860.00	C4T17FC40A	0.5	1800	3	208-230/460	TEFC	S56C	C-Face (Round)	VM3538		.5018ES3E56CFLS
102693.00	C4T14FH2A	0.5	1800	3	208-230/460	TEFC	S56	Rigid			
102917.00	C4T17FK10A	0.5	1800	3	208-230/460	TEFC	S56C	Rigid "C"			
056T17F5321	G581	0.5	1800	3	208-230/460	TEFC	56	Rigid (Bolt-On) "C"	CM3538	U12S2AC	.5018ES3E56C-S
102861.00	C4T17NC46A	0.5	1800	3	208-230/460	TENV	S56C	C-Face (Round)	VNM3538	U12P2DCR	.5018ES3H56CFLS
114304.00	C6T14NB1C	0.5	1800	3	208-230/460	TENV	56	Rigid			
103020.00	C4T17FH13A	0.5	1800	3	208-230/460	TEFC	S56	Rigid	EM3538	T12S2A	
101780.00	C4T17FC12C	0.5	1800	3	208-230/460	TEFC	S56C	C-Face (Round)	VM3538		.5018ES3H56CFLS
5K42HN4109	K197	0.5	1800	3	208-230/460	TENV	56	Rigid			
5K42HN4034	K1324	0.5	1800	3	208-230/460	TEFC	56	Rigid "C"	CM3538	U12S2AC	.5018ES3E56C-S
114891.00	C6T14FC4C	0.5	1800	3	208-230/460	TEFC	56C	C-Face (Round)	VM3538-57		
102919.00	C4T17NK2A	0.5	1800	3	208-230/460	TENV	S56C	Rigid "C"	CNM3538/35	U12S2AC	.5018ES3E56C-S

									Competitive Cross Reference		
Original Part Number	Corresponding Catalog/Model	HP	RPM	Phase	Voltage	Enclosure	Frame	Mounting	ABB Cross	Nidec Cross	Weg Cross
102024.00	C4T17FK2C	0.5	1800	3	208-230/460	TEFC	S56C	Rigid "C"	CM3538	U12S2AC	.5018ES3E56C-S
H868L	H868L	0.5	1800	3	208-230/460	TEFC	56	Rigid			
H256L	H256L	0.5	1800	3	208-230/460	TENV	56	C-Face (Round)	VM3538	U12P2DCR	.5018ES3E56CFLS
H274V1	H274V1	0.5	1800	3	208-230/460	TENV	56	Rigid			
LM24073	SRF4S0.5T61	0.5	1800	3	208-230/460	TEFC	S56	Rigid			
LM24074	SRF4S0.5TC61	0.5	1800	3	208-230/460	TEFC	S56C	Rigid "C"			
LM24083	SRF4S0.5TCN61	0.5	1800	3	208-230/460	TEFC	S56C	C-Face (Round)			
H062L	H062L	0.5	1800	3	208-230/460	TEFC	56	C-Face (Round)			
102694.00	C4T14FC3A	0.5	1800	3	208-230/460	TEFC	S56C	C-Face (Round)	VM3538-57		
100913.00	C4T17FH1D	0.5	1800	3	208-230/460	TEFC	S56	Rigid			
H1005	H1005	0.5	1800	3	230/460	TEFC	56C	Rigid "C"			
110163.00	C6T11FC1H	0.5	1200	3	208-230/460	TEFC	56C	C-Face (Round)	VM3539		.5012ES3E56CFLS
110353.00	C6T11FB2F	0.5	1200	3	208-230/460	TEFC	56	Rigid			
110914.00	C6T11FK1G	0.5	1200	3	208-230/460	TEFC	56C	Rigid "C"			
056T11F5309	G588	0.5	1200	3	208-230/460	TEFC	56	Rigid (Bolt-On) "C"	CM3539	U12S3AC	.5018ES3H56C-S
H280V1	H280V1	0.5	1200	3	208-230/460	TENV	56	Rigid			
5K49MN6079	K159	0.5	1200	3	208-230/460	TEFC	56	Rigid	M3539	T12S3A	.5012ES3E56-S
5K49MN6020	K1316	0.5	1200	3	208-230/460	TEFC	56	Rigid "C"			
LM24104	SRF6S0.5TC61	0.5	1200	3	208-230/460	TEFC	56C	Rigid "C"			
LM24105	SRF6S0.5T61	0.5	1200	3	208-230/460	TEFC	56	Rigid			
LM24128	SRF6S0.5TCN61	0.5	1200	3	208-230/460	TEFC	56C	C-Face (Round)			
H1006	H1006	0.5	1200	3	208-230/460	TEFC	56	Rigid "C"			
110313.00	C6T34FB2E	0.75	3600	3	208-230/460	TEFC	56	Rigid			
110915.00	C6T34FK6F	0.75	3600	3	208-230/460	TEFC	56C	Rigid "C"			
5K37NN30	K160	0.75	3600	3	208-230/460	TEFC	56	Rigid	M3541	T34S1A	.7536ES3E56-S
114306.00	C6T28FB4D	0.75	3600	3	208-230/460	TEFC	56	Rigid			
114893.00	C6T28FC1D	0.75	3600	3	208-230/460	TEFC	56C	C-Face (Round)			
056T34F5302	D392	0.75	3600	3	208-230/460	TEFC	56	Rigid (Bolt-On) "C"	CM3541	U34S1AC	.7536ES3E56C-S
H563	H563	0.75	3600	3	208-230/460	TEFC	56C	C-Face (Round)			
H1007	H1007	0.75	3600	3	208-230/460	TEFC	56	Rigid "C"			
110448.00	C6T34FC9F	0.75	3600	3	208-230/460	TEFC	56C	C-Face (Round)	VM3541	U34S1ACR	.7536ES3EB56CFL
H448	H448	0.75	3600	3	208-230/460	TENV	56	Rigid			
LM24133	SRF2S0.75T61	0.75	3600	3	208-230/460	TEFC	56	Rigid			
LM24134	SRF2S0.75TC61	0.75	3600	3	208-230/460	TEFC	56	Rigid "C"			
LM24151	SRF2S0.75TCN61	0.75	3600	3	208-230/460	TEFC	56C	C-Face (Round)			
110034.00	C6T17FB1E	0.75	1800	3	208-230/460	TEFC	56	Rigid	M3542	T34S2A	.7518ES3E56-S
5K36PNB111	K161	0.75	1800	3	208-230/460	TEFC	56	Rigid			
5K36PNB116	K255	0.75	1800	3	208-230/460	TEFC	56	C-Face (Round)			
110047.00	C6T17FC1G	0.75	1800	3	208-230/460	TEFC	56C	C-Face (Round)	VM3542	U34S2ACR	.7518ES3E56CFLS
114213.00	C6T17FC114D	0.75	1800	3	208-230/460	TEFC	56C	C-Face (Round)	VEM3542		.7518ES3E56CFLS
056T17F5322	G582	0.75	1800	3	208-230/460	TEFC	56	Rigid (Bolt-On) "C"	CM3542	U34S2AC	.7518ES3E56C-S
H580L	H580L	0.75	1800	3	208-230/460	TENV	56	Rigid			
114309.00	C6T17NB53C	0.75	1800	3	208-230/460	TENV	56	Rigid			
110916.00	C6T17FK5G	0.75	1800	3	208-230/460	TEFC	56C	Rigid "C"	CM3542	U34S2AC	.7518ES3E56C-S
114624.00	C6T17FK58D	0.75	1800	3	208-230/460	TEFC	56C	Rigid "C"	CM3542	U34S2AC	.7518ES3E56C-S
5K49KN4124	K258	0.75	1800	3	208-230/460	TEFC	56	Rigid "C"			
5K49PN4113	K198	0.75	1800	3	208-230/460	TENV	56	Rigid	NM3542		.7518ES3E56-S
H869L	H869L	0.75	1800	3	208-230/460	TEFC	56	Rigid			
114894.00	C6T14FC6C	0.75	1800	3	208-230/460	TEFC	56C	C-Face (Round)	VM3542-57		

									Competitive Cross Reference		
Original Part Number	Corresponding Catalog/Model	HP	RPM	Phase	Voltage	Enclosure	Frame	Mounting	ABB Cross	Nidec Cross	Weg Cross
H257L	H257L	0.75	1800	3	208-230/460	TENV	56	C-Face (Round)	VNM3542	U34S2ACR	.7518ES3E56CFLS
H1008L	H1008L	0.75	1800	3	208-230/460	TEFC	56	Rigid *C*			
11430700	C6T14FB7D	0.75	1800	3	208-230/460	TEFC	56	Rigid	VM3542-57		
116739.00	C6T17FB152B	0.75	1800	3	208-230/460	TEFC	56	Rigid	M3542		
LM24075	SRF4S0.75T61	0.75	1800	3	208-230/460	TEFC	S56	Rigid			
LM24076	SRF4S0.75TC61	0.75	1800	3	208-230/460	TEFC	S56C	Rigid *C*			
LM24077	SRF4S0.75TCN61	0.75	1800	3	208-230/460	TEFC	S56C	C-Face (Round)			
H063L	H063L	0.75	1800	3	208-230/460	TEFC	56	C-Face (Round)			
H257	H257	0.75	1800	3	230/460	TENV	56C	C-Face (Round)			
056T11F5320	K404	0.75	1200	3	208-230/460	TEFC	56	C-Face (Round)			
056T11F5308	G589	0.75	1200	3	208-230/460	TEFC	56	Rigid (Bolt-On) *C*	CM3543	U34S3AC	.7512ES3E56C-S
110275.00	C6T11FB3F	0.75	1200	3	208-230/460	TEFC	56	Rigid			
116340.00	C6T11FK12C	0.75	1200	3	208-230/460	TEFC	56C	Rigid *C*			
112378.00	C6T11FC10F	0.75	1200	3	208-230/460	TEFC	56C	C-Face (Round)	VM3543	U34S3ACR	.7512ES3ED56CFL
H468	H468	0.75	1200	3	200-230/460	TEFC	56	Rigid			
5K49PN6025	K1317	0.75	1200	3	208-230/460	TEFC	56	Rigid *C*			
H035	H035	0.75	1200	3	200-230/460	TEFC	56	C-Face (Round)			
H1009	H1009	0.75	1200	3	208-230/460	TEFC	56	Rigid *C*			
5K46PN6082	K162	0.75	1200	3	208-230/460	TEFC	56	Rigid	M3543	T34S3AH	.7512ES3E56-S
LM24140	SRF6S0.75TC61	0.75	1200	3	208-230/460	TEFC	56C	Rigid *C*			
H633ES	H633ES	1	3600	3	208-230/460	TEFC	56	C-Face (Round)	VEM3545	U1P1DCR	00136ET3EW56CFLS
056T34F15598	K500A	1	3600	3	208-230/460	TEFC	56	Rigid *C*	CEM3545	U1P1DC	00136ET3EW56C-S
5K38RN30	K163	1	3600	3	208-230/460	TEFC	56	Rigid		U1P1D	00136ET3EW56-S
056T34F99030	K233A	1	3600	3	208-230/460	TEFC	56	C-Face (Round)			
110112.00	C6T34FC6F	1	3600	3	208-230/460	TEFC	56C	C-Face (Round)	VEM3545	U1P1DCR	00136ET3EW56CFLS
056T34F99008	D393A	1	3600	3	208-230/460	TEFC	56	Rigid (Bolt-On) *C*	CEM3545	U1P1DC	00136ET3EW56C-S
114308.00	C6T28FB5D	1	3600	3	208-230/460	TEFC	56	Rigid			
116748.00	C6T34FC97C	1	3600	3	208-230/460	TEFC	56C	C-Face (Round)	VEM3545		00136ET3EW56CFLS
114895.00	C6T28FC3D	1	3600	3	208-230/460	TEFC	56C	C-Face (Round)			
056T34F15940	E2100	1	3600	3	208-230/460	TEFC	56	Rigid	EM3545	U1P1D	00136ET3EW56-S
116129.00	C6T34FB49C	1	3600	3	208-230/460	TEFC	56	Rigid	EM3545	U1P1D	
056T34F5940	E2000	1	3600	3	208-230/460	TEFC	56	Rigid *C*	CEM3545		00136ET3E143TC-W22
H1010ES	H1010ES	1	3600	3	208-230/460	TEFC	56	C-Face (Round)			
H505ES	H505ES	1	3600	3	208-230/460	TEFC	56	Rigid			
LM34141	SRF2B1T61	1	3600	3	208-230/460	TEFC	56	Rigid			
LM34169	SRF2B1TC61	1	3600	3	208-230/460	TEFC	56C	Rigid *C*			
H505	H505	1	3600	3	230/460	TEFC	56	Rigid			
H633	H633	1	3600	3	230/460	TEFC	56C	C-Face (Round)			
H1010	H1010	1	3600	3	230/460	TEFC	56C	Rigid (Bolt-On) *C*			
116757.00	C6T17FB151B	1	1800	3	208-230/460	TEFC	56H	Rigid	EM3546	T1P2AH	00118ET3E56-S
056T17F15658	G563A	1	1800	3	208-230/460	TEFC	56	Rigid *C*			
056T17F15660	G527A	1	1800	3	208-230/460	TEFC	56	C-Face (Round)			
056T17F15666	G347A	1	1800	3	208-230/460	TEFC	56	Rigid			
114638.00	C6T17FC132E	1	1800	3	208-230/460	TEFC	56C	C-Face (Round)	VEM3546	U1P2DFCR	00118ET3E56CFLS
H524LES	H524LES	1	1800	3	208-230/460	TEFC	56	Rigid			
056T17F15639	G583A	1	1800	3	208-230/460	TEFC	56H	Rigid (Bolt-On) *C*	CEM3546	U1P2DFC	00118ET3E56C-S
116745.00	C6T17FK98C	1	1800	3	208-230/460	TEFC	56C	Rigid *C*	CEM3546	U1P2DFC	00118ET3E56C-S
H1011LES	H1011LES	1	1800	3	208-230/460	TEFC	56HC	Rigid *C*			
H921LES	H921LES	1	1800	3	208-230/460	TEFC	56C	C-Face (Round)			

Original Part Number	Corresponding Catalog/Model	HP	RPM	Phase	Voltage	Enclosure	Frame	Mounting	Competitive Cross Reference		
									ABB Cross	Nidec Cross	Weg Cross
114896.00	C6T14FC7C	1	1800	3	208-230/460	TEFC	56C	C-Face (Round)	VEM3546-57		
114888.00	C6T14FB8B	1	1800	3	208-230/460	TEFC	56	Rigid	VEM3546-57		
LM34139	SRF4B1T61	1	1800	3	208-230/460	TEFC	56	Rigid			
LM34158	SRF4B1TCN61	1	1800	3	208-230/460	TEFC	56C	C-Face (Round)			
LM34167	SRF4B1TC61	1	1800	3	208-230/460	TEFC	56C	Rigid *C*			
LM34180	SRF4B1TC61	1	1800	3	230/460	TEFC	56C	Rigid *C*			
056T17F5302	G347A	1	1800	3	230/460	TEFC	56	Rigid			
H524L	H524L	1	1800	3	230/460	TEFC	56	Rigid			
H1011L	H1011L	1	1800	3	230/460	TEFC	56HC	Rigid *C*			
H921L	H921L	1	1800	3	230/460	TEFC	56HC	C-Face (Round)			
LM34181	SRF4B1TCN61	1	1800	3	230/460	TEFC	56C	C-Face (Round)			
056T11F15525	G360A	1	1200	3	208-230/460	TEFC	56	Rigid			
056T11F15527	K407A	1	1200	3	208-230/460	TEFC	56	C-Face (Round)			
116749.00	C6T11FC29C	1	1200	3	208-230/460	TEFC	56C	C-Face (Round)	VEM3556	U1P3GFCR	00112ET3E56CFLS
119395.00	C6T11FB28A	1	1200	3	208-230/460	TEFC	56	Rigid	EM3556	T1P3AH	00112ET3E56-S
H1012ES	H1012ES	1	1200	3	208-230/460	TEFC	56HC	Rigid *C*			
H528ES	H528ES	1	1200	3	208-230/460	TEFC	56H	Rigid			
056T11F15521	K701A	1	1200	3	208-230/460	TEFC	56	Rigid (Bolt-On) *C*	CEM3556	U1P3DFC	00112ET3E56C-S
LM34140	SRF6B1T61	1	1200	3	208-230/460	TEFC	56H	Rigid			
LM34162	C56T17FRC60004A4A	1	1200	3	208-230/460	TEFC	56C	C-Face (Round)			
LM34168	SRF6B1TC61	1	1200	3	208-230/460	TEFC	56HC	Rigid *C*			
H528	H528	1	1200	3	230/460	TEFC	56H	Rigid			
H1012	H1012	1	1200	3	230/460	TEFC	56HC	Rigid *C*			
056T34F15636	G383A	1.5	3600	3	208-230/460	TEFC	56	Rigid			
116750.00	C6T34FC98C	1.5	3600	3	208-230/460	TEFC	56C	C-Face (Round)	VEM3550	T32P1ACR	00156ET3E56CFLS
H751ES	H751ES	1.5	3600	3	208-230/460	TEFC	56	C-Face (Round)	VEM3550	T32P1ACR	00156ET3EJPR56C-S
119416.00	C6T34FK131A	1.5	3600	3	208-230/460	TEFC	56C	Rigid *C*			
056T34F99017	D394A	1.5	3600	3	208-230/460	TEFC	56	Rigid (Bolt-On) *C*	CEM3550	U32P1DFC	00156ET3E56C-S
H1013ES	H1013ES	1.5	3600	3	208-230/460	TEFC	56	Rigid *C*			
116758.00	C6T34FB50B	1.5	3600	3	208-230/460	TEFC	56	Rigid	EM3550	T32P1AH	00156ET3E56-S
LM34171	SRF2B1.5TC6026	1.5	3600	3	208-230/460	TEFC	56HC	Rigid *C*			
H530ES	H530ES	1.5	3600	3	208-230/460	TEFC	56	Rigid			
H530	H530	1.5	3600	3	230/460	TEFC	56	Rigid			
H751	H751	1.5	3600	3	230/460	TEFC	56C	C-Face (Round)			
H1013	H1013	1.5	3600	3	230/460	TEFC	56C	Rigid *C*			
116759.00	C6T17FB150B	1.5	1800	3	208-230/460	TEFC	56	Rigid	EM3554	T32S2AH	00158ET3E56-S
056T17F15657	G541A	1.5	1800	3	208-230/460	TEFC	56	C-Face (Round)			
056T17F15664	G564A	1.5	1800	3	208-230/460	TEFC	56	Rigid *C*			
056T17F15668	G365A	1.5	1800	3	208-230/460	TEFC	56	Rigid			
H535LES	H535LES	1.5	1800	3	208-230/460	TEFC	56H	Rigid			
116743.00	C6T17FC209C	1.5	1800	3	208-230/460	TEFC	56C	C-Face (Round)	VEM3554	U32P2DFCR	00158ET3E56CFLS
056T17F15641	G584A	1.5	1800	3	208-230/460	TEFC	56	Rigid (Bolt-On) *C*			
116746.00	C6T17FK96C	1.5	1800	3	208-230/460	TEFC	56C	Rigid *C*	CEM3554	U32P2DFC	00158ET3E56C-S
H931LES	H931LES	1.5	1800	3	208-230/460	TEFC	56C	C-Face (Round)			
H1014LES	H1014LES	1.5	1800	3	208-230/460	TEFC	56HC	Rigid *C*	CEM3554	U32P2DFC	00158ET3E56C-S
LM34142	SRF4B1.561	1.5	1800	3	208-230/460	TEFC	56	Rigid			
LM34161	SRF4B1.5TCN61	1.5	1800	3	208-230/460	TEFC	56C	C-Face (Round)			
LM34223	SRF4B1.5TC65	1.5	1800	3	575	TEFC	56HC	Rigid *C*			
LM34170	SRF4B1.5TC61	1.5	1800	3	208-230/460	TEFC	56HC	Rigid *C*	CEM3554		00158ET3E56C-S
H535L	H535L	1.5	1800	3	230/460	TEFC	56H	Rigid			

									Competitive Cross Reference		
Original Part Number	Corresponding Catalog/Model	HP	RPM	Phase	Voltage	Enclosure	Frame	Mounting	ABB Cross	Nidec Cross	Weg Cross
H931L	H931L	1.5	1800	3	230/460	TEFC	56C	C-Face (Round)			
H1014L	H1014L	1.5	1800	3	230/460	TEFC	56HC	Rigid "C"			
056T34F15642	K168A	2	3600	3	208-230/460	TEFC	56	Rigid			
056T34F99021	KG237A	2	3600	3	208-230/460	TEFC	56	C-Face (Round)			
056T34F99012	D395A	2	3600	3	208-230/460	TEFC	56	Rigid (Bolt-On) "C"	CEM3555	U2P1DFC	00236ET3E56C-S
116751.00	C6T34FC94C	2	3600	3	208-230/460	TEFC	56C	C-Face (Round)	VEM3555	T2P1ACR	00236ET3E56CFLS
H1015ES	H1015ES	2	3600	3	208-230/460	TEFC	56	C-Face (Round)			
11941700	C6T34FK132A	2	3600	3	208-230/460	TEFC	56C	Rigid "C"			
119544.00	C6T34FC133A	2	3600	3	575	TEFC	56C	C-Face (Round)			
116760.00	C6T34FB51B	2	3600	3	208-230/460	TEFC	56	Rigid	EM3555	T2P1AH	00236ET3E56-S
056T34F99015	K723A	2	3600	3	575	TEFC	56	Rigid (Bolt-On) "C"		U2P1GFC	00236ET3H56C-S
H537	H537	2	3600	3	208-230/460	TEFC	56	Rigid			
LM34173	SRF2B2TC61	2	3600	3	208-230/460	TEFC	56HC	Rigid "C"			
LM34227	SRF2B2TC65	2	3600	3	575	TEFC	56HC	Rigid "C"			
H753	H753	2	3600	3	208-230/460	TEFC	56	C-Face (Round)			
H1015	H1015	2	3600	3	230/460	TEFC	56C	Rigid "C"			
H948	H948	2	3600	3	575	TEFC	56HC	C-Face (Round)			
H537ES	H537ES	2	3600	3	208-230/460	TEFC	56	Rigid			
11674700	C6T17FK97C	2	1800	3	208-230/460	TEFC	56C	Rigid "C"	CEM3558	U2P2DFC	00218ET3E56C-S
056T17F15646	K806A	2	1800	3	208-230/460	TEFC	56	Rigid "C"			
056T17F15665	G544A	2	1800	3	208-230/460	TEFC	56	C-Face (Round)			
056T17F15669	G369A	2	1800	3	208-230/460	TEFC	56	Rigid			
116744.00	C6T17FC210C	2	1800	3	208-230/460	TEFC	56C	C-Face (Round)	VEM3558	U2P2DFCR	00218ET3E56CFLS
056T17F15644	K724A	2	1800	3	575	TEFC	56	Rigid (Bolt-On) "C"	CEM3558-5	U2P2GFC	
116761.00	C6T17FB154B	2	1800	3	208-230/460	TEFC	56H	Rigid	EM3558	T2P2AH	00218ET3E56-S
056T17F15640	G585A	2	1800	3	208-230/460	TEFC	56	Rigid (Bolt-On) "C"	CEM3558	U2P2DFC	00218ET3E56C-S
H703LES	H703LES	2	1800	3	208-230/460	TEFC	56C	C-Face (Round)			
H1016LES	H1016LES	2	1800	3	208-230/460	TEFC	56HC	Rigid "C"			
LM34155	SRF4B2TCN61	2	1800	3	208-230/460	TEFC	56	C-Face (Round)			
LM34172	SRF4B2TC61	2	1800	3	208-230/460	TEFC	56HC	Rigid "C"			
LM34228	SRF4B2TC65	2	1800	3	575	TEFC	56HC	Rigid "C"			
H703L	H703L	2	1800	3	200-230/460	TEFC	56C	C-Face (Round)			
H1016L	H1016L	2	1800	3	230/460	TEFC	56HC	Rigid "C"			
056T34F5306	D396	3	3600	3	230/460	TEFC	56H	Rigid (Bolt-On) "C"			
056T34F99014	D396A	3	3600	3	230/460	TEFC	56	Rigid (Bolt-On) "C"			
119418.00	C6T34FK133A	3	3600	3	230/460	TEFC	56HC	Rigid "C"	CEM3559	U3P1DFC	00336ET3E56C-S
119414.00	C6T34FC123A	3	3600	3	230/460	TEFC	56C	C-Face (Round)	VEM3559	T3P1ACR	00336ET3E56CFLS
119396.00	C6T34FB54A	3	3600	3	230/460	TEFC	56H	Rigid	EM3559		00336ET3E56-S
056T34F15593	K725A	3	3600	3	575	TEFC	56	Rigid (Bolt-On) "C"		U3P1GFC	00336ET3H56C-S
H1017ES	H1017ES	3	3600	3	230/460	TEFC	56	Rigid "C"			
H803ES	H803ES	3	3600	3	230/460	TEFC	56	C-Face (Round)			
H949ES	H949ES	3	3600	3	575	TEFC	56	C-Face (Round)			
H803	H803	3	3600	3	230/460	TEFC	56C	C-Face (Round)			
H1017	H1017	3	3600	3	230/460	TEFC	56HC	Rigid "C"			
H949	H949	3	3600	3	575	TEFC	56	C-Face (Round)			
056T34T5309	K702	0.33	3600	3	575	TENV	56	Rigid (Bolt-On) "C"			
056T17F2043	G304	0.33	1800	3	575	TEFC	56	Rigid			
5K33KN67	K522	0.33	1800	3	575	TEFC	56	Rigid "C"			
056T17T5316	K703	0.33	1800	3	575	TENV	56	Rigid (Bolt-On) "C"	CM3534-5	U13P2GC	
101052.00	C4T17FH4C	0.33	1800	3	575	TEFC	S56	Rigid			
056T34F5333	G309	0.5	3600	3	575	TEFC	56	Rigid			

FLEX-IN-1 CROSS REFERENCE



Model Number Flex-in-1	Catalog Number Flex-in-1	HP	RPM	Phase	Voltage	Enclosure	Frame (56C or 56HC)	Mounting	Full Load Amps	C Dimensions (inches)	Motor Weights (lbs.)
056T17F15954	FX32BK004	1.5	1800	3	208-230/460	TE	56HC	Rigid *C*	4.7-4.6/2.3&5.4/2.7	13.30	45
056T17F15954	FX32BK004	1.5	1800	3	208-230/460	TE	56HC	Rigid *C*	4.7-4.6/2.3&5.4/2.7	13.30	45
056T34F15673	FX02BK002	2	3600	3	208-230/460	TE	56HC	Rigid *C*	5.6-5/2.5&6/3	13.55	46
056T34F15673	FX02BK002	2	3600	3	208-230/460	TE	56HC	Rigid *C*	5.6-5/2.5&6/3	13.55	46
056T34F15673	FX02BK002	2	3600	3	208-230/460	TE	56HC	Rigid *C*	5.6-5/2.5&6/3	13.55	46
056T34F15673	FX02BK002	2	3600	3	208-230/460	TE	56HC	Rigid *C*	5.6-5/2.5&6/3	13.55	46
056T34F15673	FX02BK002	2	3600	3	208-230/460	TE	56HC	Rigid *C*	5.6-5/2.5&6/3	13.55	46
056T34F15673	FX02BK002	2	3600	3	208-230/460	TE	56HC	Rigid *C*	5.6-5/2.5&6/3	13.55	46
056T34F15674	FX02FK002	2	3600	3	575	TE	56HC	Rigid *C*	2	13.55	46
056T34F15673	FX02BK002	2	3600	3	208-230/460	TE	56HC	Rigid *C*	5.6-5/2.5&6/3	13.55	46
056T34F15674	FX02FK002	2	3600	3	575	TE	56HC	Rigid *C*	2	13.55	46
056T34F15673	FX02BK002	2	3600	3	208-230/460	TE	56HC	Rigid *C*	5.6-5/2.5&6/3	13.55	46
056T34F15673	FX02BK002	2	3600	3	208-230/460	TE	56HC	Rigid *C*	5.6-5/2.5&6/3	13.55	46
056T34F15674	FX02FK002	2	3600	3	575	TE	56HC	Rigid *C*	2	13.55	46
056T34F15673	FX02BK002	2	3600	3	208-230/460	TE	56HC	Rigid *C*	5.6-5/2.5&6/3	13.55	46
056T34F15673	FX02BK002	2	3600	3	208-230/460	TE	56HC	Rigid *C*	5.6-5/2.5&6/3	13.55	46
056T34F15674	FX02FK002	2	3600	3	575	TE	56HC	Rigid *C*	2	13.55	46
056T34F15673	FX02BK002	2	3600	3	208-230/460	TE	56HC	Rigid *C*	5.6-5/2.5&6/3	13.55	46
056T17F15953	FX02BK004	2	1800	3	208-230/460	TE	56HC	Rigid *C*	6.2-6/3&6.8/3.4	13.80	48
056T17F15953	FX02BK004	2	1800	3	208-230/460	TE	56HC	Rigid *C*	6.2-6/3&6.8/3.4	13.80	48
056T17F15953	FX02BK004	2	1800	3	208-230/460	TE	56HC	Rigid *C*	6.2-6/3&6.8/3.4	13.80	48
056T17F15953	FX02BK004	2	1800	3	208-230/460	TE	56HC	Rigid *C*	6.2-6/3&6.8/3.4	13.80	48
056T17F15953	FX02BK004	2	1800	3	208-230/460	TE	56HC	Rigid *C*	6.2-6/3&6.8/3.4	13.80	48
056T17F15947	FX02FK004	2	1800	3	575	TE	56HC	Rigid *C*	2.4	13.80	48
056T17F15953	FX02BK004	2	1800	3	208-230/460	TE	56HC	Rigid *C*	6.2-6/3&6.8/3.4	13.80	48
056T17F15953	FX02BK004	2	1800	3	208-230/460	TE	56HC	Rigid *C*	6.2-6/3&6.8/3.4	13.80	48
056T17F15953	FX02BK004	2	1800	3	208-230/460	TE	56HC	Rigid *C*	6.2-6/3&6.8/3.4	13.80	48
056T17F15953	FX02BK004	2	1800	3	208-230/460	TE	56HC	Rigid *C*	6.2-6/3&6.8/3.4	13.80	48
056T17F15953	FX02BK004	2	1800	3	208-230/460	TE	56HC	Rigid *C*	6.2-6/3&6.8/3.4	13.80	48
056T17F15953	FX02BK004	2	1800	3	208-230/460	TE	56HC	Rigid *C*	6.2-6/3&6.8/3.4	13.80	48
056T17F15947	FX02FK004	2	1800	3	575	TE	56HC	Rigid *C*	2.4	13.80	48
056T17F15953	FX02BK004	2	1800	3	208-230/460	TE	56HC	Rigid *C*	6.2-6/3&6.8/3.4	13.80	48
056T17F15953	FX02BK004	2	1800	3	208-230/460	TE	56HC	Rigid *C*	6.2-6/3&6.8/3.4	13.80	48
056T34F15675	FX03BK002	3	3600	3	208-230/460	TE	56HC	Rigid *C*	8.2-76/3.8&9/4.5	13.30	45
056T34F15675	FX03BK002	3	3600	3	208-230/460	TE	56HC	Rigid *C*	8.2-76/3.8&9/4.5	13.30	45
056T34F15675	FX03BK002	3	3600	3	208-230/460	TE	56HC	Rigid *C*	8.2-76/3.8&9/4.5	13.30	45
056T34F15675	FX03BK002	3	3600	3	208-230/460	TE	56HC	Rigid *C*	8.2-76/3.8&9/4.5	13.30	45
056T34F15675	FX03BK002	3	3600	3	208-230/460	TE	56HC	Rigid *C*	8.2-76/3.8&9/4.5	13.30	45
056T34F15676	FX03FK001	3	3600	3	575	TE	56HC	Rigid *C*	3.05	13.30	45
056T34F15675	FX03BK002	3	3600	3	208-230/460	TE	56HC	Rigid *C*	8.2-76/3.8&9/4.5	13.30	45
056T34F15675	FX03BK002	3	3600	3	208-230/460	TE	56HC	Rigid *C*	8.2-76/3.8&9/4.5	13.30	45
056T34F15676	FX03FK001	3	3600	3	575	TE	56HC	Rigid *C*	3.05	13.30	45
056T34F15675	FX03BK002	3	3600	3	208-230/460	TE	56HC	Rigid *C*	8.2-76/3.8&9/4.5	13.30	45
056T34F15675	FX03BK002	3	3600	3	208-230/460	TE	56HC	Rigid *C*	8.2-76/3.8&9/4.5	13.30	45
056T34F15676	FX03FK001	3	3600	3	575	TE	56HC	Rigid *C*	3.05	13.30	45
056T34F15675	FX03BK002	3	3600	3	208-230/460	TE	56HC	Rigid *C*	8.2-76/3.8&9/4.5	13.30	45
056T34F15675	FX03BK002	3	3600	3	208-230/460	TE	56HC	Rigid *C*	8.2-76/3.8&9/4.5	13.30	45
056T34F15676	FX03FK001	3	3600	3	575	TE	56HC	Rigid *C*	3.05	13.30	45
056T34F15666	FX13FK001	0.33	3600	3	575	TE	56C	Rigid *C*	.7	10.80	21
056T17F15943	FX13FK002	0.33	1800	3	575	TE	56C	Rigid *C*	.64	10.55	20
056T17F15943	FX13FK002	0.33	1800	3	575	TE	56C	Rigid *C*	.64	10.55	20
056T17F15943	FX13FK002	0.33	1800	3	575	TE	56C	Rigid *C*	.64	10.55	20
056T17F15943	FX13FK002	0.33	1800	3	575	TE	56C	Rigid *C*	.64	10.55	20
056T34F15668	FX12FK001	0.5	3600	3	575	TE	56C	Rigid *C*	.9	10.80	21

Original Part Number	Corresponding Catalog/Model	HP	RPM	Phase	Voltage	Enclosure	Frame	Mounting	Competitive Cross Reference		
									ABB Cross	Nidec Cross	Weg Cross
110714.00	C6T34NB6D	0.5	3600	3	575	TENV	56	Rigid			
056T34F5348	K704	0.5	3600	3	575	TEFC	56	Rigid (Bolt-On) *C*		U12P1GC	.5036ES3H56C-S
056T17F5336	K705	0.5	1800	3	575	TEFC	56	Rigid (Bolt-On) *C*	CM3538-5	U12P2GC	.5018ES3H56C-S
101051.00	C4T17FH3C	0.5	1800	3	575	TEFC	S56	Rigid			
110176.00	C6T17NC10G	0.5	1800	3	575	TENV	56C	C-Face (Round)	VM3538-5		.5018ES3H56CFLS
110199.00	C6T17NB4E	0.5	1800	3	575	TENV	56	Rigid			
5K42HN4134	K426	0.5	1800	3	575	TEFC	56	Rigid			
5K42HN4137	K469	0.5	1800	3	575	TEFC	56	Rigid *C*			
101908.00	C4T17FC16B	0.5	1800	3	575	TEFC	S56C	C-Face (Round)	VM3538-5	U1P2GFGR	.5018ES3H56CFLS
H276L	H276L	0.5	1800	3	575	TENV	56	Rigid			
LM24154	SRF4S0.5T65	0.5	1800	3	575	TEFC	56	Rigid			
LM24355	SRF4S0.5TC65	0.5	1800	3	575	TEFC	56C	Rigid *C*			
H249	H249	0.5	1200	3	575	TENV	56	Rigid			
LM24295	SRF6S0.5T65	0.5	1200	3	575	TEFC	56	Rigid			
056T34F5334	G327	0.75	3600	3	575	TEFC	56	Rigid			
110354.00	C6T34FB8E	0.75	3600	3	575	TEFC	56	Rigid			
056T34F5349	K706	0.75	3600	3	575	TEFC	56	Rigid (Bolt-On) *C*		U34P1GC	.7536ES3H56C-S
110178.00	C6T17FB3E	0.75	1800	3	575	TEFC	56	Rigid			
5K36PN251	G1340	0.75	1800	3	575	TEFC	56	Rigid			
5K36PN254	K523	0.75	1800	3	575	TEFC	56	Rigid *C*			
110177.00	C6T17FC7G	0.75	1800	3	575	TEFC	56C	C-Face (Round)	VM3542-5	U34P2GCR	.7518ES3H56CFLS
H461L	H461L	0.75	1800	3	575	TENV	56	Rigid			
056T17F5337	K707	0.75	1800	3	575	TEFC	56	Rigid (Bolt-On) *C*	CM3542-5	U34P2GC	.7518ES3H56C-S
LM24354	SRF4S0.75TC65	0.75	1800	3	575	TEFC	56C	Rigid *C*			
111394.00	C6T11FB8E	0.75	1200	3	575	TEFC	56	Rigid	M3543-5	U34P3GH	
056T34F16020	E2125	1	3600	3	575	TEFC	56	Rigid			
110715.00	C6T34FB15E	1	3600	3	575	TEFC	56	Rigid			
056T34F99010	K708A	1	3600	3	575	TEFC	56	Rigid (Bolt-On) *C*		U1P1GC	00136ET3HW56C-S
H517ES	H517ES	1	3600	3	575	TEFC	56	Rigid			
LM34221	SRF2B1TC65	1	3600	3	575	TEFC	56C	Rigid *C*			
H517	H517	1	3600	3	575	TEFC	56	Rigid			
056T17F15667	G348A	1	1800	3	575	TEFC	56	Rigid			
056T17F15901	G528A	1	1800	3	575	TEFC	56	C-Face (Round)			
056T17F15642	K709A	1	1800	3	575	TEFC	56	Rigid (Bolt-On) *C*	CEM3546-5	U1S2GFC	00118ET3H56C-S
119542.00	C6T17FC251A	1	1800	3	575	TEFC	56C	C-Face (Round)	VEM3546-5	U1P2GFGR	00118ET3H56CFLS
119539.00	C6T17FB184A	1	1800	3	575	TEFC	56	Rigid	EM3546-5	T1S2GH	00118ET3H56-S
5K49MN4112	K524	1	1800	3	575	TEFC	56C	C-Face (Round)			
H525LES	H525LES	1	1800	3	575	TEFC	56	C-Face (Round)			
LM34218	SRF4B1TC65	1	1800	3	575	TEFC	56C	Rigid *C*			
H525L	H525L	1	1800	3	575	TEFC	56	C-Face (Round)			
056T34F15619	G363A	1.5	3600	3	575	TEFC	56	Rigid			
056T34F99020	K721A	1.5	3600	3	575	TEFC	56	Rigid (Bolt-On) *C*			00156ET3H56C-S
LM34225	SF2S1.5TC65	1.5	3600	3	575	TEFC	56C	Rigid *C*			
056T17F15674	G548A	1.5	1800	3	575	TEFC	56	C-Face (Round)			
056T17F5339	K722	1.5	1800	3	575	TEFC	56H	Rigid (Bolt-On) *C*			
119540.00	C6T17FB185A	1.5	1800	3	575	TEFC	56	Rigid		U32P2GH	
056T17F15645	K722A	1.5	1800	3	575	TEFC	56	Rigid (Bolt-On) *C*	CEM3554-5	U32P2GFC	00158ET3H56C-S
119543.00	C6T17FC252A	1.5	1800	3	575	TEFC	56C	C-Face (Round)	VEM3554-5	U32P2GFGR	

FLEX-IN-1 CROSS REFERENCE

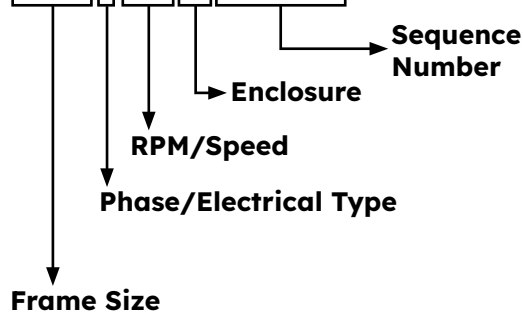


Model Number Flex-in-1	Catalog Number Flex-in-1	HP	RPM	Phase	Voltage	Enclosure	Frame (56C or 56HC)	Mounting	Full Load Amps	C Dimensions (inches)	Motor Weights (lbs.)
056T34F15668	FX12FK001	0.5	3600	3	575	TE	56C	Rigid *C*	.9	10.80	21
056T34F15668	FX12FK001	0.5	3600	3	575	TE	56C	Rigid *C*	.9	10.80	21
056T17F15944	FX12FK003	0.5	1800	3	575	TE	56C	Rigid *C*	.95	11.05	24
056T17F15944	FX12FK003	0.5	1800	3	575	TE	56C	Rigid *C*	.95	11.05	24
056T17F15944	FX12FK003	0.5	1800	3	575	TE	56C	Rigid *C*	.95	11.05	24
056T17F15944	FX12FK003	0.5	1800	3	575	TE	56C	Rigid *C*	.95	11.05	24
056T17F15944	FX12FK003	0.5	1800	3	575	TE	56C	Rigid *C*	.95	11.05	24
056T17F15944	FX12FK003	0.5	1800	3	575	TE	56C	Rigid *C*	.95	11.05	24
056T17F15944	FX12FK003	0.5	1800	3	575	TE	56C	Rigid *C*	.95	11.05	24
056T17F15944	FX12FK003	0.5	1800	3	575	TE	56C	Rigid *C*	.95	11.05	24
056T17F15944	FX12FK003	0.5	1800	3	575	TE	56C	Rigid *C*	.95	11.05	24
056T17F15944	FX12FK003	0.5	1800	3	575	TE	56C	Rigid *C*	.95	11.05	24
056T11F15541	FX12FK004	0.5	1200	3	575	TE	56C	Rigid *C*	0.84	11.05	25
056T11F15541	FX12FK004	0.5	1200	3	575	TE	56C	Rigid *C*	0.84	11.05	25
056T34F15670	FX34FK001	0.75	3600	3	575	TE	56C	Rigid *C*	1.3	10.80	23
056T34F15670	FX34FK001	0.75	3600	3	575	TE	56C	Rigid *C*	1.3	10.80	23
056T34F15670	FX34FK001	0.75	3600	3	575	TE	56C	Rigid *C*	1.3	10.80	23
056T17F15945	FX34FK003	0.75	1800	3	575	TE	56C	Rigid *C*	1.2	11.05	24
056T17F15945	FX34FK003	0.75	1800	3	575	TE	56C	Rigid *C*	1.2	11.05	24
056T17F15945	FX34FK003	0.75	1800	3	575	TE	56C	Rigid *C*	1.2	11.05	24
056T17F15945	FX34FK003	0.75	1800	3	575	TE	56C	Rigid *C*	1.2	11.05	24
056T17F15945	FX34FK003	0.75	1800	3	575	TE	56C	Rigid *C*	1.2	11.05	24
056T17F15945	FX34FK003	0.75	1800	3	575	TE	56C	Rigid *C*	1.2	11.05	24
056T17F15945	FX34FK003	0.75	1800	3	575	TE	56C	Rigid *C*	1.2	11.05	24
056T17F15945	FX34FK003	0.75	1800	3	575	TE	56C	Rigid *C*	1.2	11.05	24
056T11F15543	FX34FK004	0.75	1200	3	575	TE	56HC	Rigid *C*	1.40	12.05	32
056T34F15679	FX01FK002	1	3600	3	575	TE	56C	Rigid *C*	1.1	10.80	23
056T34F15679	FX01FK002	1	3600	3	575	TE	56C	Rigid *C*	1.1	10.80	23
056T34F15679	FX01FK002	1	3600	3	575	TE	56C	Rigid *C*	1.1	10.80	23
056T34F15679	FX01FK002	1	3600	3	575	TE	56C	Rigid *C*	1.1	10.80	23
056T34F15679	FX01FK002	1	3600	3	575	TE	56C	Rigid *C*	1.1	10.80	23
056T34F15679	FX01FK002	1	3600	3	575	TE	56C	Rigid *C*	1.1	10.80	23
056T17F15952	FX01FK004	1	1800	3	575	TE	56HC	Rigid *C*	1.3	13.05	42
056T17F15952	FX01FK004	1	1800	3	575	TE	56HC	Rigid *C*	1.3	13.05	42
056T17F15952	FX01FK004	1	1800	3	575	TE	56HC	Rigid *C*	1.3	13.05	42
056T17F15952	FX01FK004	1	1800	3	575	TE	56HC	Rigid *C*	1.3	13.05	42
056T17F15952	FX01FK004	1	1800	3	575	TE	56HC	Rigid *C*	1.3	13.05	42
056T17F15952	FX01FK004	1	1800	3	575	TE	56HC	Rigid *C*	1.3	13.05	42
056T17F15952	FX01FK004	1	1800	3	575	TE	56HC	Rigid *C*	1.3	13.05	42
056T17F15952	FX01FK004	1	1800	3	575	TE	56HC	Rigid *C*	1.3	13.05	42
056T17F15952	FX01FK004	1	1800	3	575	TE	56HC	Rigid *C*	1.3	13.05	42
056T17F15952	FX01FK004	1	1800	3	575	TE	56HC	Rigid *C*	1.3	13.05	42
056T34F15672	FX32FK001	1.5	3600	3	575	TE	56HC	Rigid *C*	1.6	12.30	37
056T34F15672	FX32FK001	1.5	3600	3	575	TE	56HC	Rigid *C*	1.6	12.30	37
056T34F15672	FX32FK001	1.5	3600	3	575	TE	56HC	Rigid *C*	1.6	12.30	37
056T17F15946	FX32FK003	1.5	1800	3	575	TE	56HC	Rigid *C*	1.85	13.30	45
056T17F15946	FX32FK003	1.5	1800	3	575	TE	56HC	Rigid *C*	1.85	13.30	45
056T17F15946	FX32FK003	1.5	1800	3	575	TE	56HC	Rigid *C*	1.85	13.30	45
056T17F15946	FX32FK003	1.5	1800	3	575	TE	56HC	Rigid *C*	1.85	13.30	45
056T17F15946	FX32FK003	1.5	1800	3	575	TE	56HC	Rigid *C*	1.85	13.30	45



FLEX-IN-1™ Model Number Nomenclature

056T34D15643



Frame Size

048	48
056	56
140	140
180	180
210	210
250	250

Phase/Electrical Type

C	Cap Start
K	Cap Start/Run
P	Permanent Split
S	Split Phase
T	Three Phase

RPM/Speed

34	3600
17	1800
11	1200

Enclosure

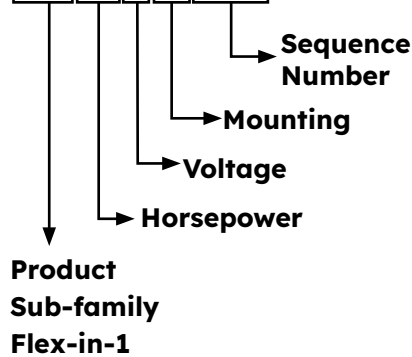
D	Drip Proof
F	Fan Cooled

Sequence Number

Number assigned as required when new designs with new characteristics are needed

FLEX-IN-1 Catalog Number Nomenclature

FX13BK001



Horsepower

13	1/3
12	1/2
34	3/4
1	1
32	1 1/2
02	2
03	3
05	5
07	7.5
10	10
15	15
20	20

Voltage

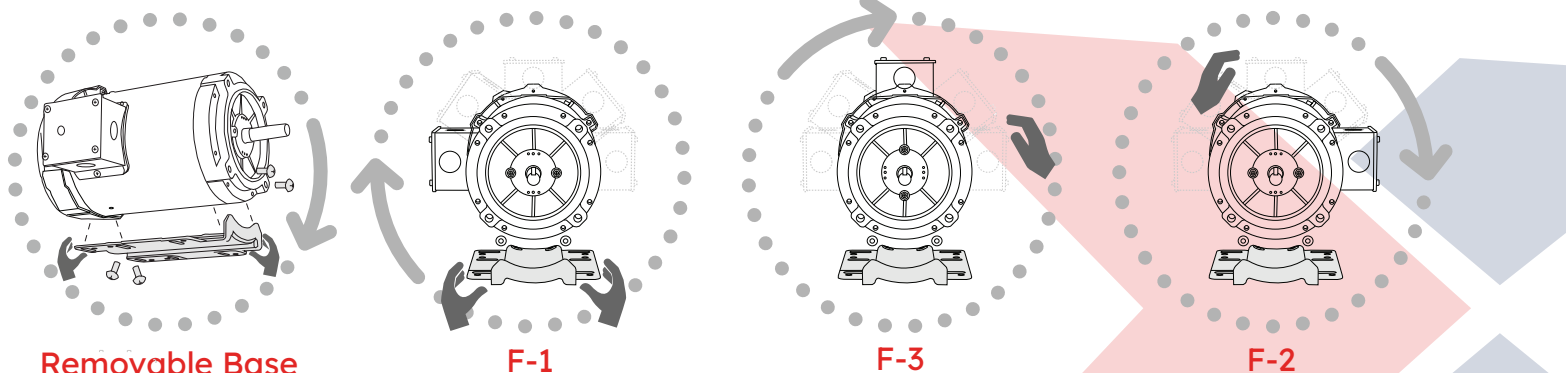
A	115/208-230
B	208-230/460
C	115
D	230
E	460
F	575

Mounting

B	Rigid base standard
C	"C" Face - no base - NEMA®
D	"D" Flange - no base - NEMA
H	48 frame - 56 frame mounting shaft rigid
J	48 frame - 56 frame mounting shaft resilient
K	Repositionable base with "C" flange
M	Motor parts - rotor and stator
R	Resilient base
S	Shell motor
T	Round body
Z	Special mounting

Sequence Number

Number assigned as required when new designs with new characteristics are needed





Commercial Systems
Regal Rexnord

U.S. Customer Service: 262-377-8810

Canada Customer Service: 905-670-4770

[regalrexnord.com](https://www.regalrexnord.com)



Scan to learn more
about Flex-in-1 Motors

The proper selection and application of products and components, including assuring that the product is safe for its intended use, are the responsibility of the customer. To view our Application Considerations, please visit <https://www.regalrexnord.com/Application-Considerations>.

To view our Standard Terms and Conditions of Sale, please visit <https://www.regalrexnord.com/Terms-and-Conditions-of-Sale> (which may redirect to other website locations based on product family).

The following trademarks or trade names are not owned or controlled by Regal Rexnord Corporation. *NEMA is a trademark of National Electrical Manufacturers Association. "Regal Rexnord" is not indicative of legal entity. Refer to product purchase documentation for the applicable legal entity. Regal Rexnord, Marathon and Flex-in-1 are trademarks of Regal Rexnord Corporation or one of its affiliated companies. ©2022 Regal Rexnord Corporation, All Rights Reserved. MCB22106E • Form# SB0325E

RegalRexnord™