

PRODUCT INFORMATION PACKET

Model No: 056T17D99083

Catalog No: FX01BK003

FLEX-IN-1™ General Purpose Motor, 1 HP, 3 Ph, 60 Hz, 208-230/460 V, 1800 RPM, 56HC Frame, DP



Regal and Marathon are trademarks of Regal Rexnord Corporation or one of its affiliated companies.
©2022 Regal Rexnord Corporation, All Rights Reserved. MC017097E

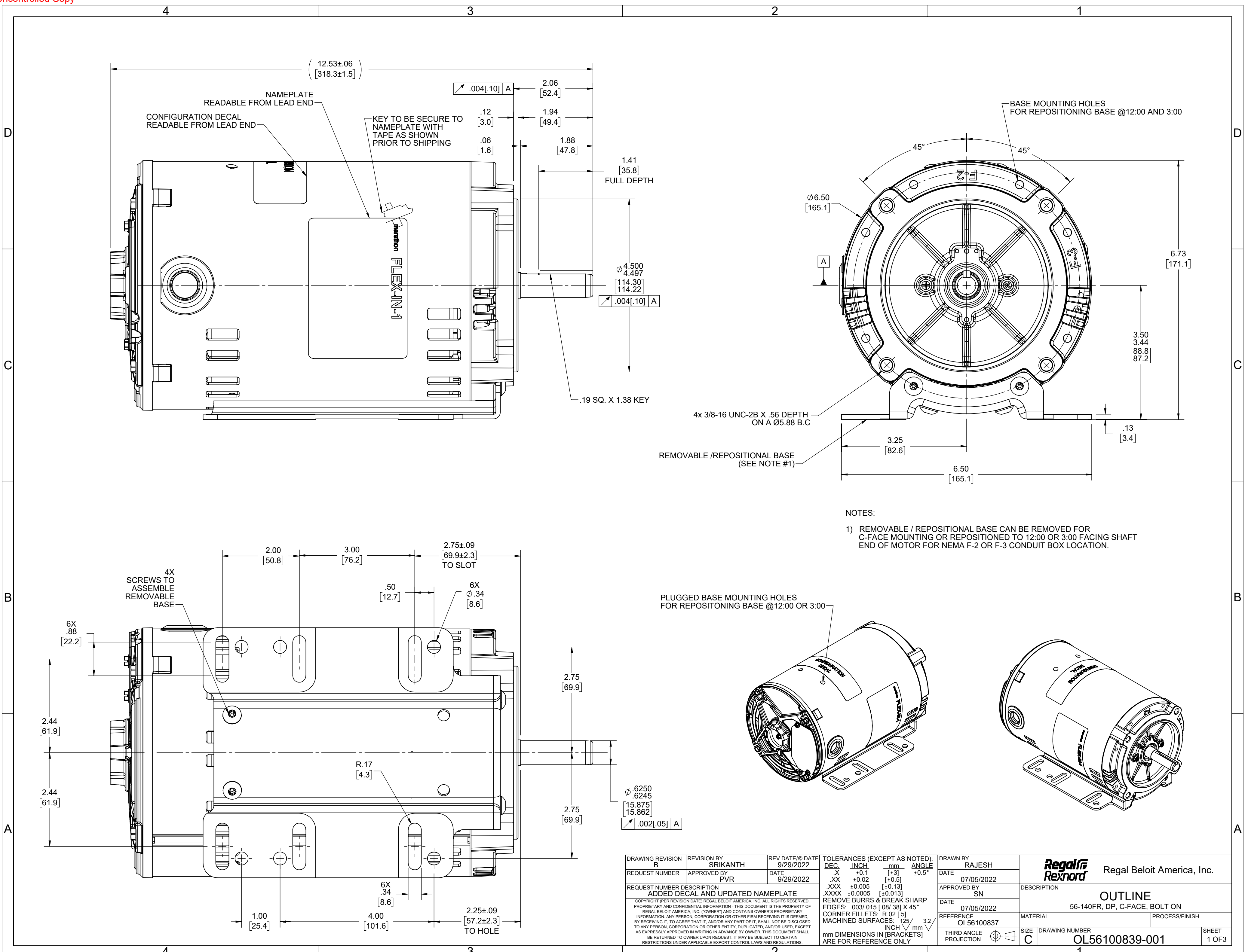
Nameplate Specifications

Output HP	1 Hp	Output KW	0.75 kW
Frequency	60 Hz	Voltage	208-230/460 V
Current	3.1-3.2/1.6 A	Speed	1725 rpm
Service Factor	1.15	Phase	3
Efficiency	83.5 %	Power Factor	71
Duty	Continuous	Insulation Class	F
Design Code	B	KVA Code	N
Frame	56HC	Enclosure	Drip Proof
Thermal Protection	No Protection	Ambient Temperature	40 °C
Drive End Bearing Size	6203	Opp Drive End Bearing Size	6203
UL	Recognized	CSA	Y
CE	Y	IP Code	22
Number of Speeds	1		

Technical Specifications

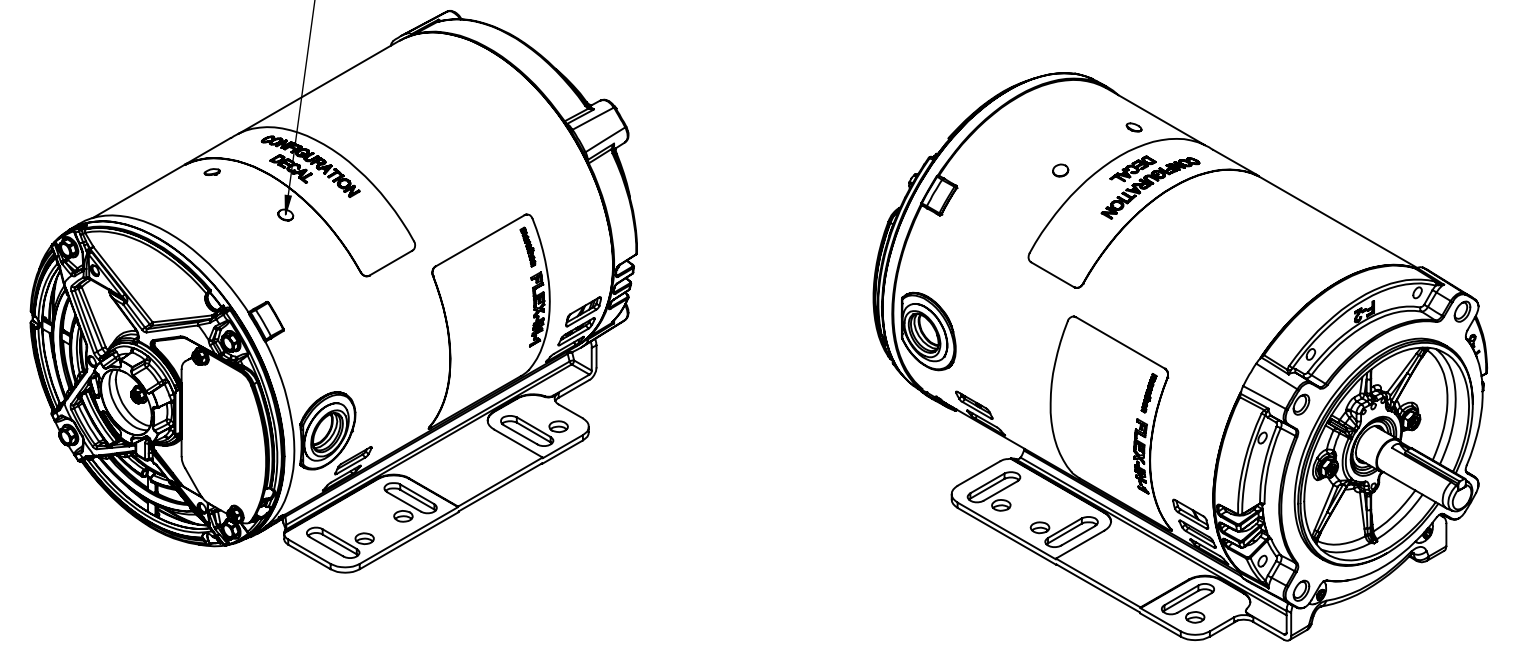
Electrical Type	Squirrel Cage Inverter Rated	Starting Method	Line Or Inverter
Poles	4	Rotation	Reversible
Mounting	Bolt-on Base	Motor Orientation	Horizontal
Drive End Bearing	Ball	Opp Drive End Bearing	Ball
Frame Material	Rolled Steel	Shaft Type	NEMA 56
Shaft Diameter	0.625 in	Assembly/Box Mounting	F1 ONLY
Inverter Load	CONSTANT 2:1		
Outline Drawing	OL56100839-001	Connection Drawing	CDTD127

This is an uncontrolled document once printed or downloaded and is subject to change without notice. Date Created:11/30/2022

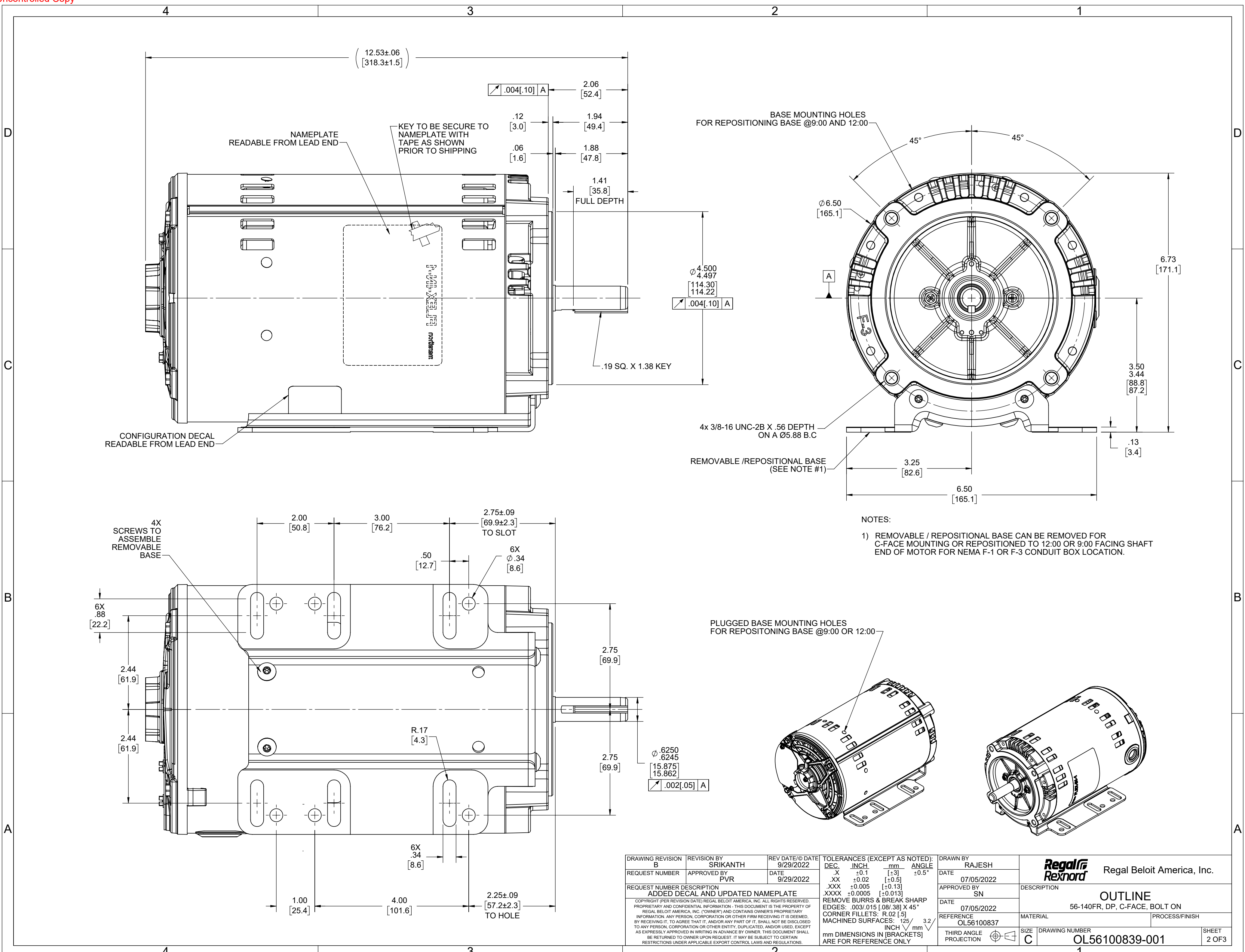


NOTES:

- 1) REMOVABLE / REPOSITIONAL BASE CAN BE REMOVED FOR C-FACE MOUNTING OR REPOSITIONED TO 12:00 OR 3:00 FACING SHAFT END OF MOTOR FOR NEMA F-2 OR F-3 CONDUIT BOX LOCATION.



DRAWING REVISION B	REVISION BY SRIKANTH	REV DATE/© DATE 9/29/2022	TOLERANCES (EXCEPT AS NOTED):		DRAWN BY RAJESH	Regal Beloit America, Inc.
REQUEST NUMBER	APPROVED BY PVR	DATE 9/29/2022	DEC.	INCH	DATE 07/05/2022	
REQUEST NUMBER DESCRIPTION ADDED DECAL AND UPDATED NAMEPLATE			.X	±0.1	APPROVED BY SN	DESCRIPTION OUTLINE
COPYRIGHT (PER REVISION DATE) REGAL BELOIT AMERICA, INC. ALL RIGHTS RESERVED. PROPRIETARY AND CONFIDENTIAL INFORMATION - THIS DOCUMENT IS THE PROPERTY OF REGAL BELOIT AMERICA, INC. ("OWNER") AND CONTAINS OWNER'S PROPRIETARY INFORMATION. ANY PERSON, CORPORATION OR OTHER FIRM RECEIVING IT IS DEEMED, BY RECEIVING IT, TO AGREE THAT IT, AND/OR ANY PART OF IT, SHALL NOT BE DISCLOSED TO ANY PERSON, CORPORATION OR OTHER ENTITY, DUPLICATED, AND/OR USED, EXCEPT AS EXPRESSLY APPROVED IN WRITING IN ADVANCE BY OWNER. THIS DOCUMENT SHALL BE RETURNED TO OWNER UPON REQUEST. IT MAY BE SUBJECT TO CERTAIN RESTRICTIONS UNDER APPLICABLE EXPORT CONTROL LAWS AND REGULATIONS.			.XX	±0.02	DATE 07/05/2022	MATERIAL 56-140FR, DP, C-FACE, BOLT ON
			.XXX	±0.005	REFERENCE OL56100837	PROCESS/FINISH
			.XXXX	±0.0005	THIRD ANGLE PROJECTION	SHEET 1 OF 3
			MACHINED SURFACES: .125 INCH / 3.2 mm DIMENSIONS IN [BRACKETS] ARE FOR REFERENCE ONLY		SIZE C	DRAWING NUMBER OL56100839-001

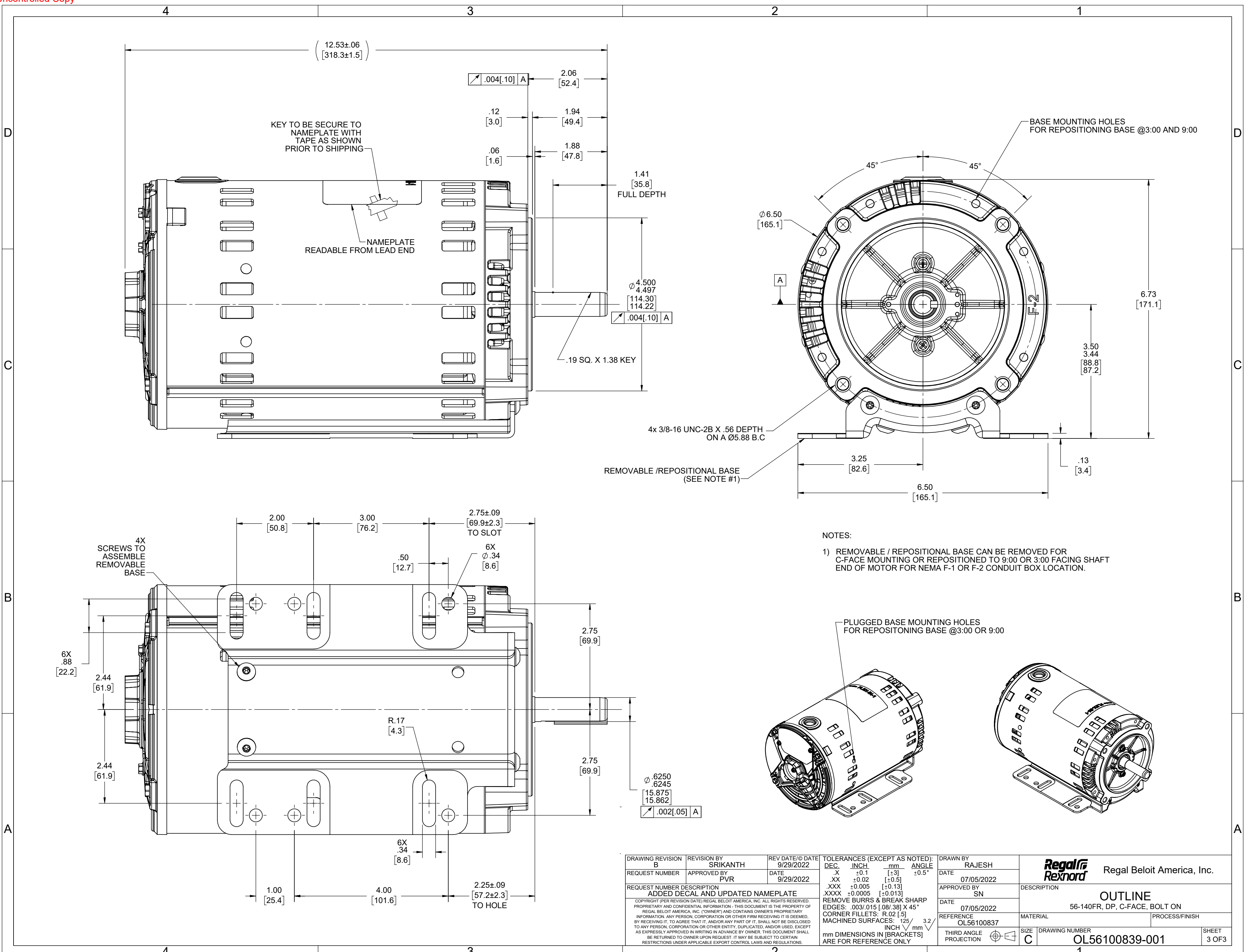


BASE MOUNTING HOLES FOR REPOSITIONING BASE @9:00 AND 12:00

- NOTES:
- 1) REMOVABLE / REPOSITIONAL BASE CAN BE REMOVED FOR C-FACE MOUNTING OR REPOSITIONED TO 12:00 OR 9:00 FACING SHAFT END OF MOTOR FOR NEMA F-1 OR F-3 CONDUIT BOX LOCATION.

PLUGGED BASE MOUNTING HOLES FOR REPOSITIONING BASE @9:00 OR 12:00

DRAWING REVISION B	REVISION BY SRIKANTH	REV DATE/DATE 9/29/2022	TOLERANCES (EXCEPT AS NOTED): DEC. INCH mm ANGLE	DRAWN BY RAJESH	Regal Beloit America, Inc.
REQUEST NUMBER	APPROVED BY PVR	DATE 9/29/2022	.X ±0.1 [±3] .XX ±0.02 [±0.5] .XXX ±0.005 [±0.13] .XXXX ±0.0005 [±0.013]	DATE 07/05/2022	
REQUEST NUMBER DESCRIPTION ADDED DECAL AND UPDATED NAMEPLATE			REMOVE BURRS & BREAK SHARP EDGES: .003/.015 [.08/.38] X 45° CORNER FILLETS: R.02 [.5] MACHINED SURFACES: ±.125 [3.2] INCH mm	APPROVED BY SN	DESCRIPTION OUTLINE
<small>COPYRIGHT (PER REVISION DATE) REGAL BELOIT AMERICA, INC. ALL RIGHTS RESERVED. PROPRIETARY AND CONFIDENTIAL INFORMATION - THIS DOCUMENT IS THE PROPERTY OF REGAL BELOIT AMERICA, INC. (OWNER) AND CONTAINS OWNER'S PROPRIETARY INFORMATION. ANY PERSON, CORPORATION OR OTHER FIRM RECEIVING IT IS DEEMED, BY RECEIVING IT, TO AGREE THAT IT, AND/OR ANY PART OF IT, SHALL NOT BE DISCLOSED TO ANY PERSON, CORPORATION OR OTHER ENTITY, DUPLICATED, AND/OR USED, EXCEPT AS EXPRESSLY APPROVED IN WRITING IN ADVANCE BY OWNER. THIS DOCUMENT SHALL BE RETURNED TO OWNER UPON REQUEST. IT MAY BE SUBJECT TO CERTAIN RESTRICTIONS UNDER APPLICABLE EXPORT CONTROL LAWS AND REGULATIONS.</small>			mm DIMENSIONS IN [BRACKETS] ARE FOR REFERENCE ONLY	DATE 07/05/2022	MATERIAL 56-140FR, DP, C-FACE, BOLT ON
				REFERENCE OL56100837	PROCESS/FINISH
				THIRD ANGLE PROJECTION	DRAWING NUMBER OL56100839-001
				SIZE C	SHEET 2 OF 3



- NOTES:
- 1) REMOVABLE / REPOSITIONAL BASE CAN BE REMOVED FOR C-FACE MOUNTING OR REPOSITIONED TO 9:00 OR 3:00 FACING SHAFT END OF MOTOR FOR NEMA F-1 OR F-2 CONDUIT BOX LOCATION.

DRAWING REVISION B	REVISION BY SRIKANTH	REV DATE/© DATE 9/29/2022	TOLERANCES (EXCEPT AS NOTED):				DRAWN BY RAJESH	Regal Beloit America, Inc.
REQUEST NUMBER	APPROVED BY PVR	DATE 9/29/2022	DEC.	INCH	mm	ANGLE	DATE 07/05/2022	
REQUEST NUMBER DESCRIPTION ADDED DECAL AND UPDATED NAMEPLATE			.X	±0.1	[±3]	±0.5°	APPROVED BY SN	DESCRIPTION OUTLINE
<small>COPYRIGHT (PER REVISION DATE) REGAL BELOIT AMERICA, INC. ALL RIGHTS RESERVED. PROPRIETARY AND CONFIDENTIAL INFORMATION - THIS DOCUMENT IS THE PROPERTY OF REGAL BELOIT AMERICA, INC. ("OWNER") AND CONTAINS OWNER'S PROPRIETARY INFORMATION. ANY PERSON, CORPORATION OR OTHER FIRM RECEIVING IT IS DEEMED, BY RECEIVING IT, TO AGREE THAT IT, AND/OR ANY PART OF IT, SHALL NOT BE DISCLOSED TO ANY PERSON, CORPORATION OR OTHER ENTITY, DUPLICATED, AND/OR USED, EXCEPT AS EXPRESSLY APPROVED IN WRITING IN ADVANCE BY OWNER. THIS DOCUMENT SHALL BE RETURNED TO OWNER UPON REQUEST. IT MAY BE SUBJECT TO CERTAIN RESTRICTIONS UNDER APPLICABLE EXPORT CONTROL LAWS AND REGULATIONS.</small>			.XX	±0.02	[±0.5]		DATE 07/05/2022	MATERIAL 56-140FR, DP, C-FACE, BOLT ON
			.XXX	±0.005	[±0.13]		REFERENCE OL56100837	PROCESS/FINISH
			.XXXX	±0.0005	[±0.013]		THIRD ANGLE PROJECTION	DRAWING NUMBER OL56100839-001
			REMOVE BURRS & BREAK SHARP EDGES: .003/.015 [.08/.38] X 45° CORNER FILLETS: R.02 [.5] MACHINED SURFACES: $\sqrt{125}$ mm $\sqrt{3.2}$ INCH \sqrt{mm}				SIZE C	SHEET 3 OF 3

4

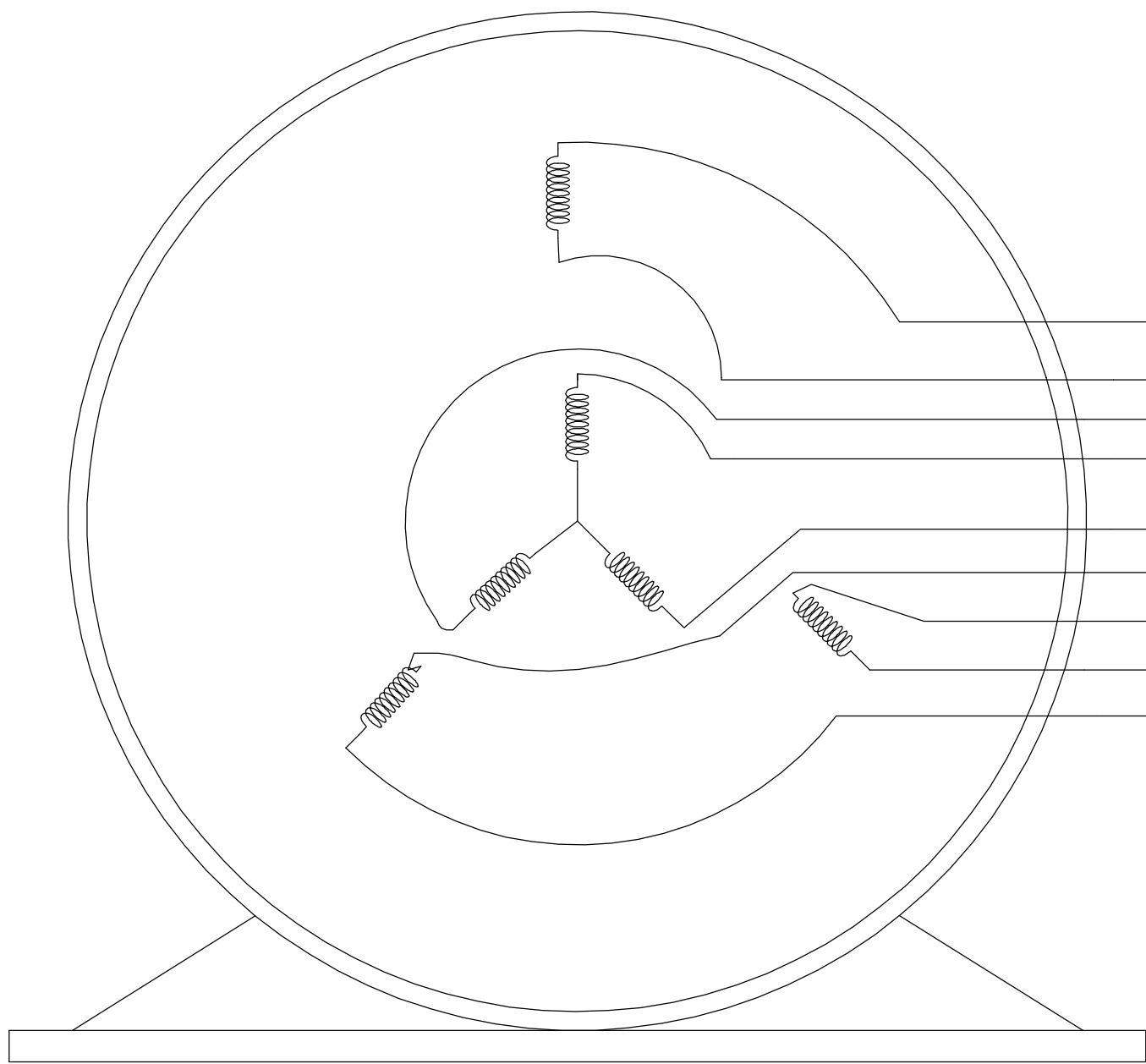
3

2

1

B

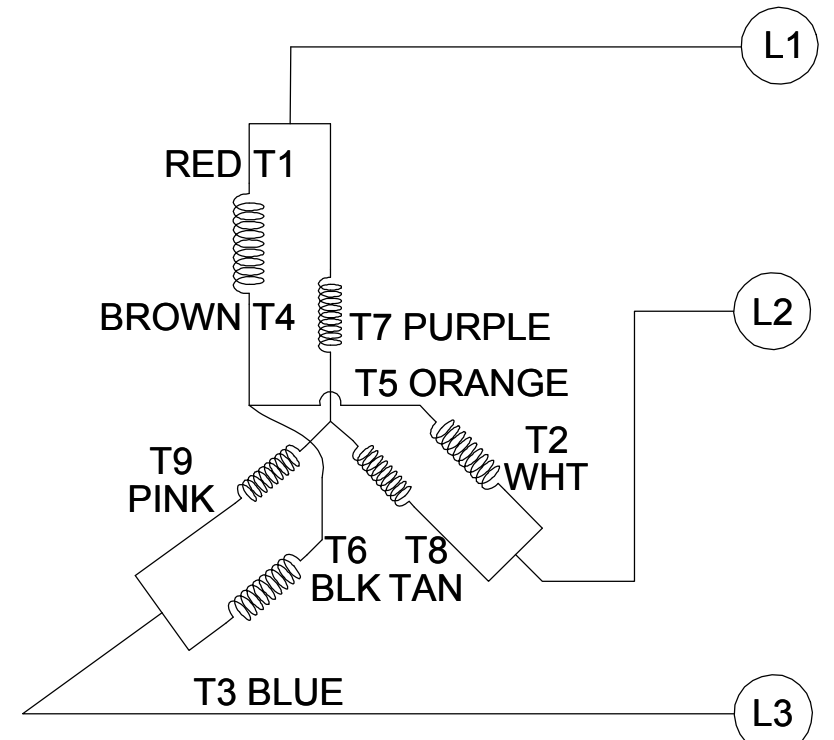
B



VIEW OF TERMINAL END

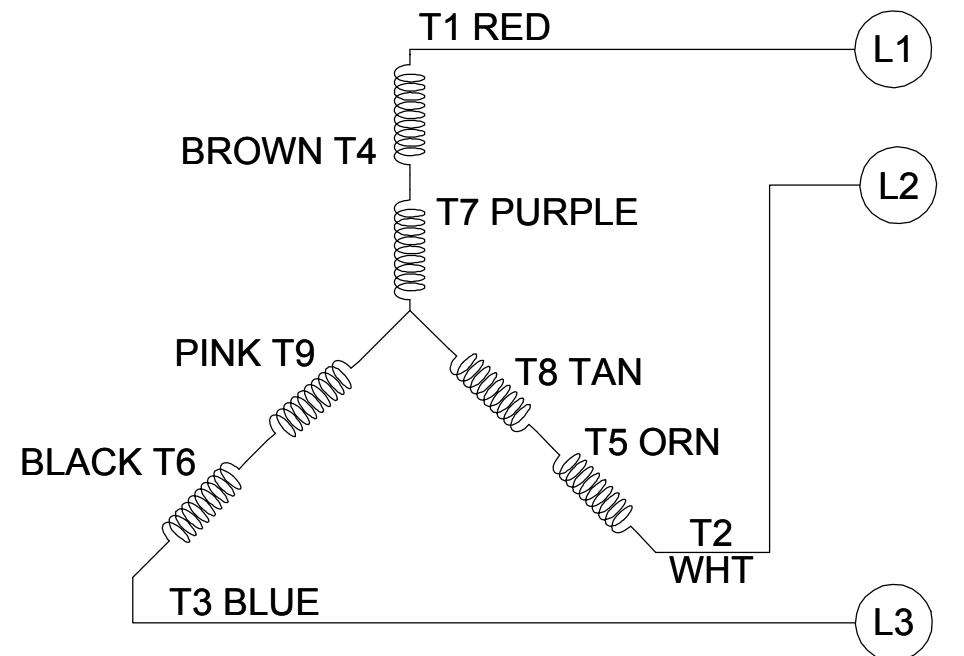
CCW LOW VOLTAGE

001



CCW HIGH VOLTAGE

002



A

A

NOTE:

1. TO REVERSE ROTATION, INTERCHANGE ANY TWO LINE CONNECTIONS TO L1, L2, OR L3.
2. CONNECTION DIAGRAM-NAMEPLATE DD10123-001 - CCWLE DD10199-001 - CWLE

DRAWING REVISION D	REVISION BY SHESHI	DATE 01/11/2019
ECO ECO-0159881	APPROVED BY CD	DATE 01/11/2019
ECO DESCRIPTION ADDED DD10199-001		
<small>COPYRIGHT REGAL BELOIT AMERICA, INC. ALL RIGHTS RESERVED. PROPRIETARY AND CONFIDENTIAL INFORMATION - THIS DOCUMENT IS THE PROPERTY OF REGAL BELOIT AMERICA, INC. ("OWNER") AND CONTAINS OWNER'S PROPRIETARY INFORMATION. ANY PERSON, CORPORATION OR OTHER FIRM RECEIVING IT IS DEEMED, BY RECEIVING IT, TO AGREE THAT IT, AND/OR ANY PART OF IT, SHALL NOT BE DISCLOSED TO ANY PERSON, CORPORATION OR OTHER ENTITY, DUPLICATED, AND/OR USED, EXCEPT AS EXPRESSLY APPROVED IN WRITING IN ADVANCE BY OWNER. THIS DOCUMENT SHALL BE RETURNED TO OWNER UPON REQUEST. IT MAY BE SUBJECT TO CERTAIN RESTRICTIONS UNDER APPLICABLE EXPORT CONTROL LAWS AND REGULATIONS.</small>		

TOLERANCES UNLESS OTHERWISE SPECIFIED:			
DEC.	INCH	mm	ANGLE
.X	±0.1	[±2.5]	±0.5°
.XX	±0.01	[±0.25]	
.XXX	±0.005	[±0.127]	
.XXXX	±0.0005	[±0.0127]	
REMOVE BURRS & BREAK SHARP EDGES: .003/.015 [.076/.381] CORNER FILLETS: .02 [.51] MACHINED SURFACES: 125 INCH 3.2 mm SHOWN IN [BRACKETS]			

DRAWN BY G. RODRIGUEZ	DATE 12-01-2017
APPROVED BY J. A. MORENO	DATE 12-01-2017
REFERENCE CDTD103	THIRD ANGLE PROJECTION

Regal Beloit America, Inc.	
DESCRIPTION CONN DIAGRAM-EXTERNAL	
MATERIAL	PROCESS/FINISH
SIZE B	DRAWING NUMBER CDTD127
SHEET 1 OF 1	

4

3

2

1