

# PRODUCT INFORMATION PACKET

Model No: 056T11D15535

Catalog No: FX01BK005

FLEX-IN-1™ General Purpose Motor, 1 HP, 3 Ph, 60 Hz, 208-230/460 V, 1200 RPM, 56HC Frame, DP



Regal and Marathon are trademarks of Regal Rexnord Corporation or one of its affiliated companies.

©2022 Regal Rexnord Corporation, All Rights Reserved. MC017097E



### Nameplate Specifications

Output HP	1 Hp	Output KW	0.75 kW
Frequency	60 Hz	Voltage	208-230/460 V
Current	3.5-3.4/6.8 A	Speed	1140 rpm
Service Factor	1.15	Phase	3
Efficiency	85 %	Power Factor	65.7
Duty	Continuous	Insulation Class	F
Design Code	B	KVA Code	K
Frame	56HC	Enclosure	Drip Proof
Thermal Protection	No Protection	Ambient Temperature	40 °C
Drive End Bearing Size	6203	Opp Drive End Bearing Size	6203
UL	Recognized	CSA	Y
CE	Y	IP Code	22
Number of Speeds	1		

### Technical Specifications

Electrical Type	Squirrel Cage Inverter Rated	Starting Method	Line Or Inverter
Poles	6	Rotation	Reversible
Resistance Main	3.77 Ohms	Mounting	Bolt-on Base
Motor Orientation	Horizontal	Drive End Bearing	Ball
Opp Drive End Bearing	Ball	Frame Material	Rolled Steel
Shaft Type	NEMA 56	Shaft Diameter	0.625 in
Assembly/Box Mounting	F1 ONLY	Inverter Load	CONSTANT 2:1
Outline Drawing	OL56100847-001	Connection Drawing	CDTD127

This is an uncontrolled document once printed or downloaded and is subject to change without notice. Date Created:11/30/2022

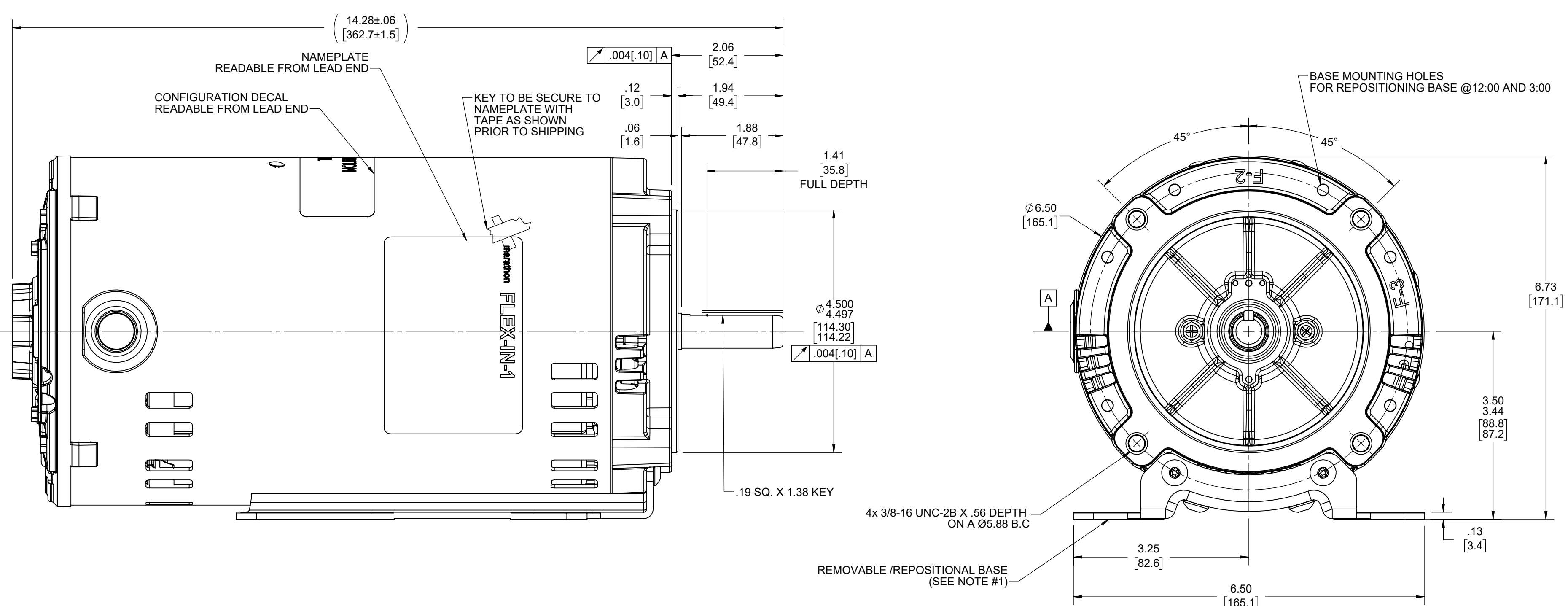
4 3 2 1

D

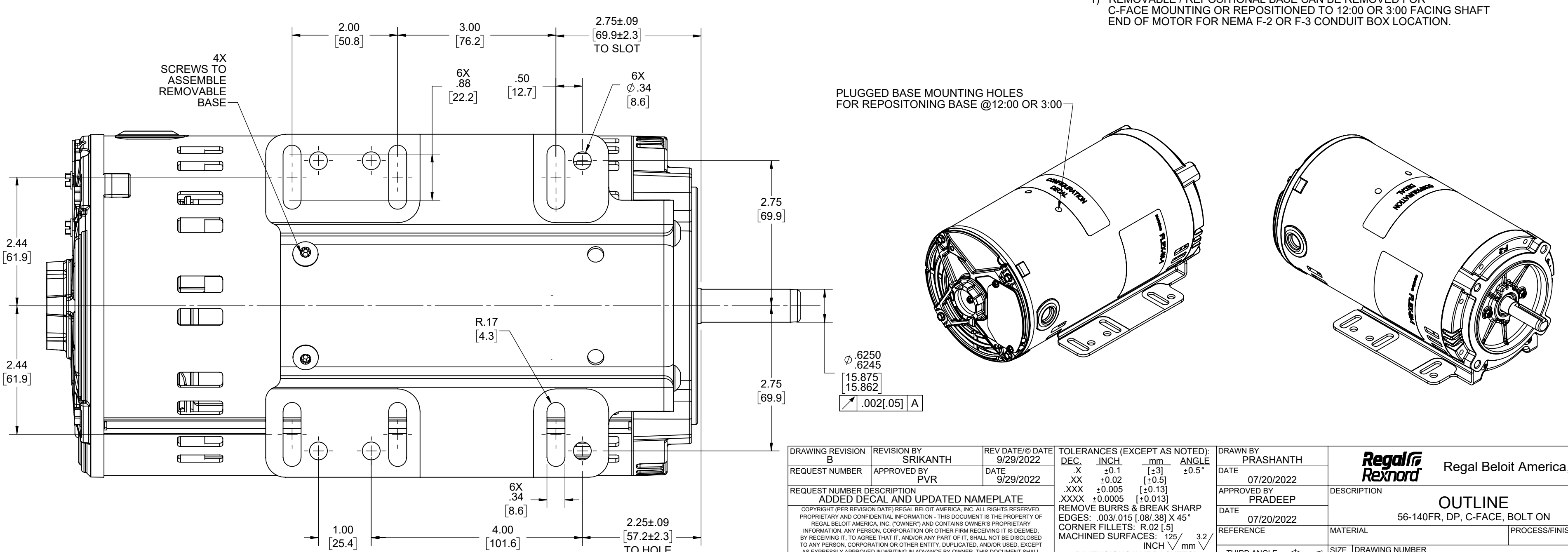
C

B

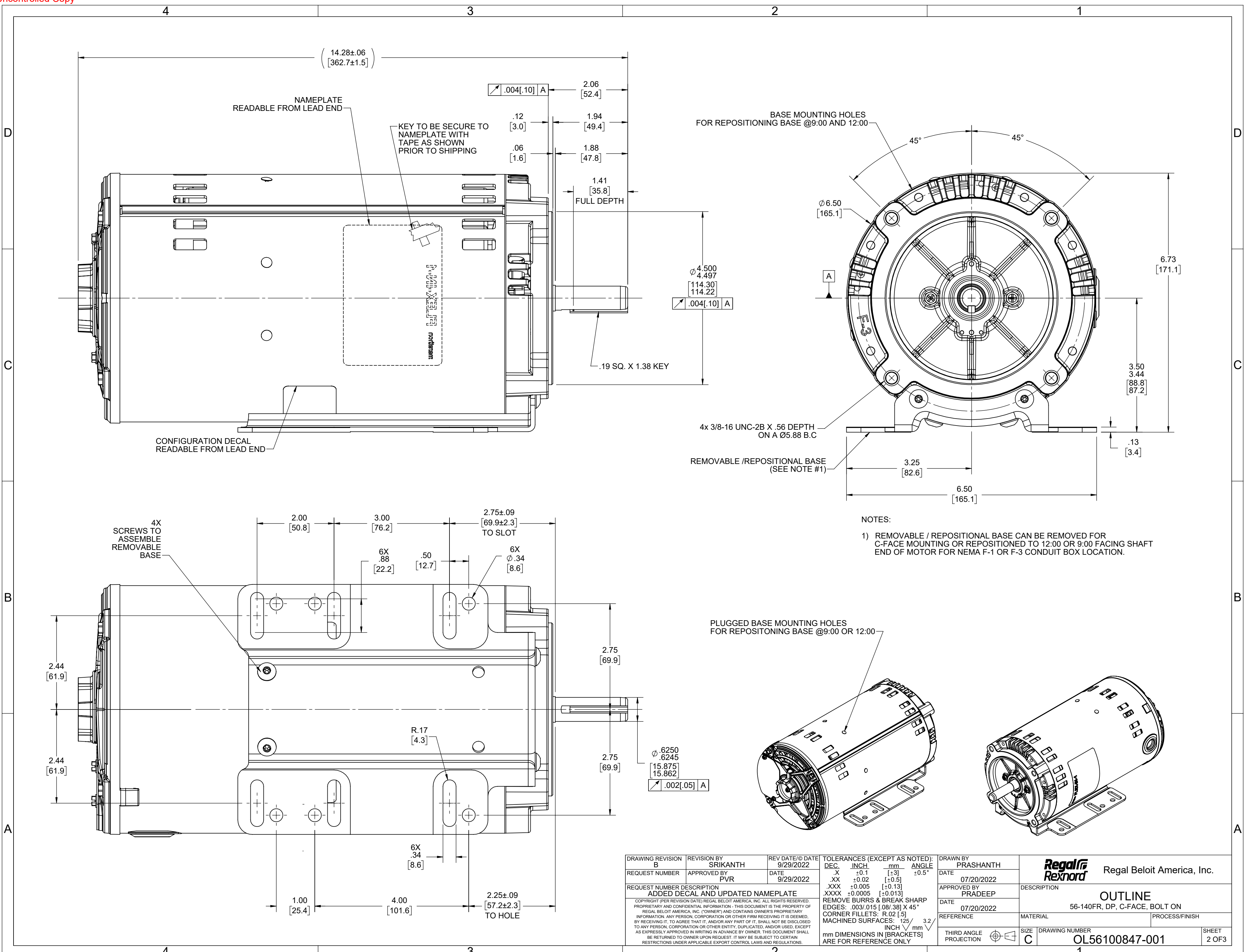
A



- NOTES:
- 1) REMOVABLE / REPOSITIONAL BASE CAN BE REMOVED FOR C-FACE MOUNTING OR REPOSITIONED TO 12:00 OR 3:00 FACING SHAFT END OF MOTOR FOR NEMA F-2 OR F-3 CONDUIT BOX LOCATION.

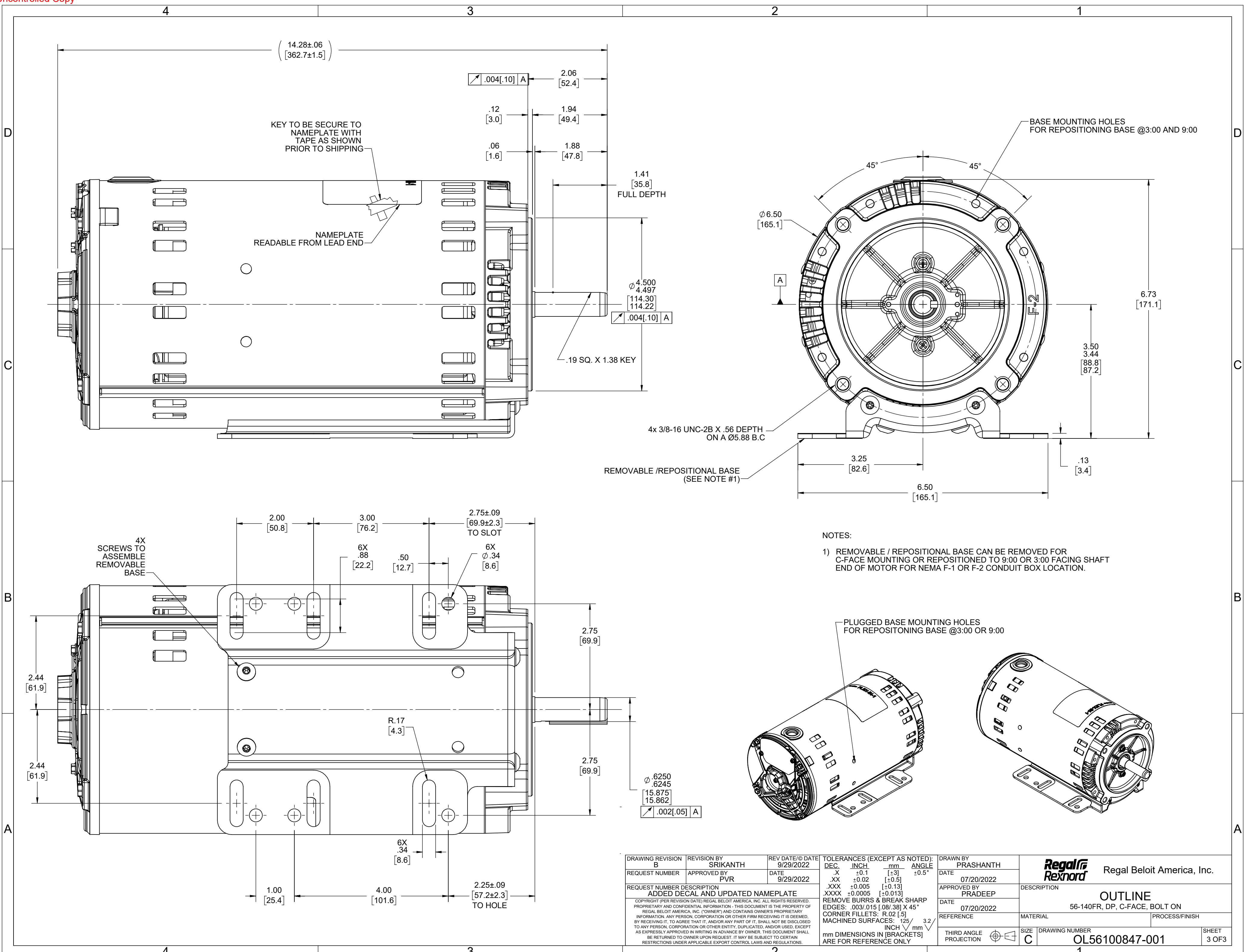


DRAWING REVISION B	REVISION BY SRIKANTH	REV DATE/DATE 9/29/2022	TOLERANCES (EXCEPT AS NOTED): DEC. INCH mm ANGLE		DRAWN BY PRASHANTH	Regal Beloit America, Inc.
REQUEST NUMBER	APPROVED BY PVR	DATE 9/29/2022	.X ±0.1 [±3]	±0.5°	DATE 07/20/2022	
REQUEST NUMBER DESCRIPTION ADDED DECAL AND UPDATED NAMEPLATE			.XX ±0.02 [±0.5]		APPROVED BY PRADEEP	DESCRIPTION OUTLINE
COPYRIGHT (PER REVISION DATE) REGAL BELOIT AMERICA, INC. ALL RIGHTS RESERVED. PROPRIETARY AND CONFIDENTIAL INFORMATION - THIS DOCUMENT IS THE PROPERTY OF REGAL BELOIT AMERICA, INC. ("OWNER") AND CONTAINS OWNER'S PROPRIETARY INFORMATION. ANY PERSON, CORPORATION OR OTHER FIRM RECEIVING IT IS DEEMED, BY RECEIVING IT, TO AGREE THAT IT, AND/OR ANY PART OF IT, SHALL NOT BE DISCLOSED TO ANY PERSON, CORPORATION OR OTHER ENTITY, DUPLICATED, AND/OR USED, EXCEPT AS EXPRESSLY APPROVED IN WRITING IN ADVANCE BY OWNER. THIS DOCUMENT SHALL BE RETURNED TO OWNER UPON REQUEST. IT MAY BE SUBJECT TO CERTAIN RESTRICTIONS UNDER APPLICABLE EXPORT CONTROL LAWS AND REGULATIONS.			.XXX ±0.005 [±0.13]		DATE 07/20/2022	56-140FR, DP, C-FACE, BOLT ON
			.XXXX ±0.0005 [±0.013]		REFERENCE	MATERIAL
			REMOVE BURRS & BREAK SHARP EDGES: .003/.015 [ .08/.38] X 45°		THIRD ANGLE PROJECTION	
			CORNER FILLETS: R.02 [ .5]		SIZE C	DRAWING NUMBER OL56100847-001
			MACHINED SURFACES: .125 INCH / mm 3.2			SHEET 1 OF 3
			mm DIMENSIONS IN [BRACKETS] ARE FOR REFERENCE ONLY			



- NOTES:
- 1) REMOVABLE / REPOSITIONAL BASE CAN BE REMOVED FOR C-FACE MOUNTING OR REPOSITIONED TO 12:00 OR 9:00 FACING SHAFT END OF MOTOR FOR NEMA F-1 OR F-3 CONDUIT BOX LOCATION.

DRAWING REVISION B	REVISION BY SRIKANTH	REV DATE/DATE 9/29/2022	TOLERANCES (EXCEPT AS NOTED): DEC. INCH mm ANGLE	DRAWN BY PRASHANTH	Regal Beloit America, Inc.
REQUEST NUMBER	APPROVED BY PVR	DATE 9/29/2022	.X ±0.1 [±3] .XX ±0.02 [±0.5] .XXX ±0.005 [±0.13] .XXXX ±0.0005 [±0.013]	DATE 07/20/2022	
REQUEST NUMBER DESCRIPTION ADDED DECAL AND UPDATED NAMEPLATE			REMOVE BURRS & BREAK SHARP EDGES: .003/.015 [Ø8/.38] X 45° CORNER FILLETS: R.02 [5] MACHINED SURFACES: ±.125 /mm 3.2 INCH √ mm	APPROVED BY PRADEEP	DESCRIPTION OUTLINE
<small>COPYRIGHT (PER REVISION DATE) REGAL BELOIT AMERICA, INC. ALL RIGHTS RESERVED. PROPRIETARY AND CONFIDENTIAL INFORMATION - THIS DOCUMENT IS THE PROPERTY OF REGAL BELOIT AMERICA, INC. (OWNER) AND CONTAINS OWNER'S PROPRIETARY INFORMATION. ANY PERSON, CORPORATION OR OTHER FIRM RECEIVING IT IS DEEMED, BY RECEIVING IT, TO AGREE THAT IT, AND/OR ANY PART OF IT, SHALL NOT BE DISCLOSED TO ANY PERSON, CORPORATION OR OTHER ENTITY, DUPLICATED, AND/OR USED, EXCEPT AS EXPRESSLY APPROVED IN WRITING IN ADVANCE BY OWNER. THIS DOCUMENT SHALL BE RETURNED TO OWNER UPON REQUEST. IT MAY BE SUBJECT TO CERTAIN RESTRICTIONS UNDER APPLICABLE EXPORT CONTROL LAWS AND REGULATIONS.</small>			REPLACE BURRS & BREAK SHARP EDGES: .003/.015 [Ø8/.38] X 45° CORNER FILLETS: R.02 [5] MACHINED SURFACES: ±.125 /mm 3.2 INCH √ mm	DATE 07/20/2022	56-140FR, DP, C-FACE, BOLT ON
			mm DIMENSIONS IN [BRACKETS] ARE FOR REFERENCE ONLY	REFERENCE	MATERIAL
				THIRD ANGLE PROJECTION	PROCESS/FINISH
				SIZE C	DRAWING NUMBER
					OL56100847-001
					SHEET 2 OF 3



KEY TO BE SECURE TO NAMEPLATE WITH TAPE AS SHOWN PRIOR TO SHIPPING

NAMEPLATE READABLE FROM LEAD END

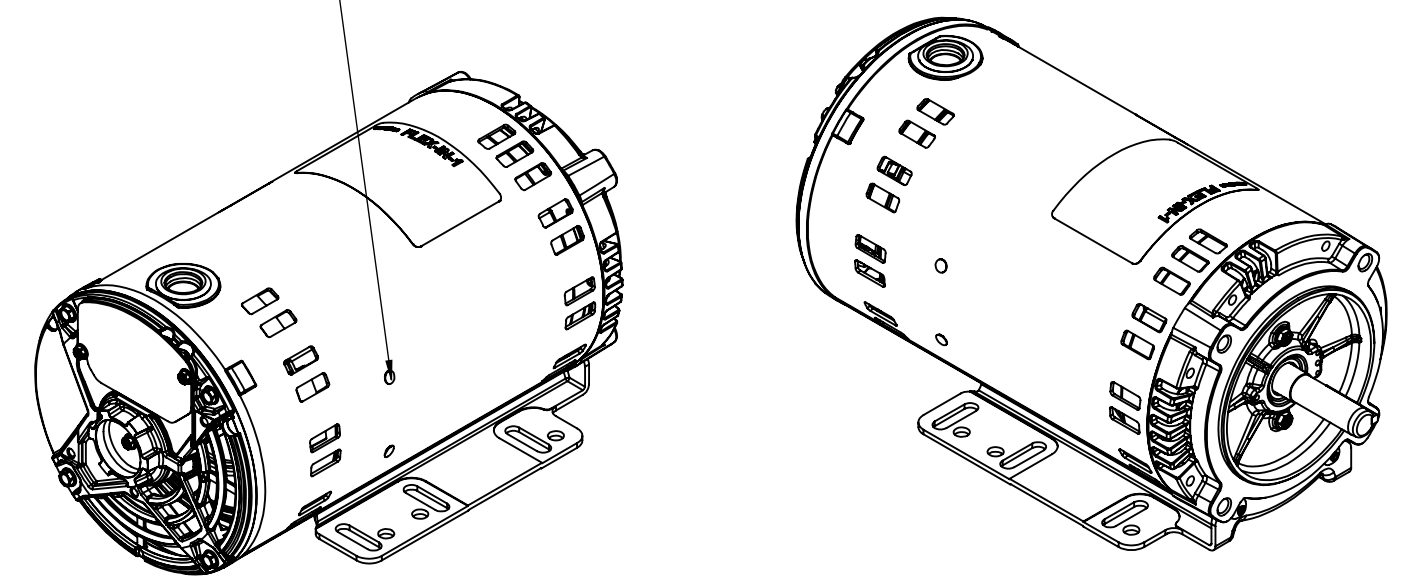
BASE MOUNTING HOLES FOR REPOSITIONING BASE @3:00 AND 9:00

REMOVABLE /REPOSITIONAL BASE (SEE NOTE #1)

NOTES:

- 1) REMOVABLE / REPOSITIONAL BASE CAN BE REMOVED FOR C-FACE MOUNTING OR REPOSITIONED TO 9:00 OR 3:00 FACING SHAFT END OF MOTOR FOR NEMA F-1 OR F-2 CONDUIT BOX LOCATION.

PLUGGED BASE MOUNTING HOLES FOR REPOSITIONING BASE @3:00 OR 9:00



DRAWING REVISION B	REVISION BY SRIKANTH	REV DATE/© DATE 9/29/2022	TOLERANCES (EXCEPT AS NOTED):				DRAWN BY PRASHANTH	Regal Beloit America, Inc.		
REQUEST NUMBER	APPROVED BY PVR	DATE 9/29/2022	DEC.	INCH	mm	ANGLE	DATE 07/20/2022			
REQUEST NUMBER DESCRIPTION ADDED DECAL AND UPDATED NAMEPLATE			.X	±0.1	[±3]	±0.5°	APPROVED BY PRADEEP	DESCRIPTION OUTLINE		
COPYRIGHT (PER REVISION DATE) REGAL BELOIT AMERICA, INC. ALL RIGHTS RESERVED. PROPRIETARY AND CONFIDENTIAL INFORMATION - THIS DOCUMENT IS THE PROPERTY OF REGAL BELOIT AMERICA, INC. ("OWNER") AND CONTAINS OWNER'S PROPRIETARY INFORMATION. ANY PERSON, CORPORATION OR OTHER FIRM RECEIVING IT IS DEEMED, BY RECEIVING IT, TO AGREE THAT IT, AND/OR ANY PART OF IT, SHALL NOT BE DISCLOSED TO ANY PERSON, CORPORATION OR OTHER ENTITY, DUPLICATED, AND/OR USED, EXCEPT AS EXPRESSLY APPROVED IN WRITING IN ADVANCE BY OWNER. THIS DOCUMENT SHALL BE RETURNED TO OWNER UPON REQUEST. IT MAY BE SUBJECT TO CERTAIN RESTRICTIONS UNDER APPLICABLE EXPORT CONTROL LAWS AND REGULATIONS.			.XX	±0.02	[±0.5]		DATE 07/20/2022	MATERIAL 56-140FR, DP, C-FACE, BOLT ON		
			.XXX	±0.005	[±0.13]		REFERENCE	PROCESS/FINISH		
			.XXXX	±0.0005	[±0.013]		THIRD ANGLE PROJECTION	SIZE C	DRAWING NUMBER OL56100847-001	SHEET 3 OF 3
			MACHINED SURFACES: $\sqrt{125}$ mm $\sqrt{3.2}$ INCH		mm DIMENSIONS IN [BRACKETS] ARE FOR REFERENCE ONLY					

4

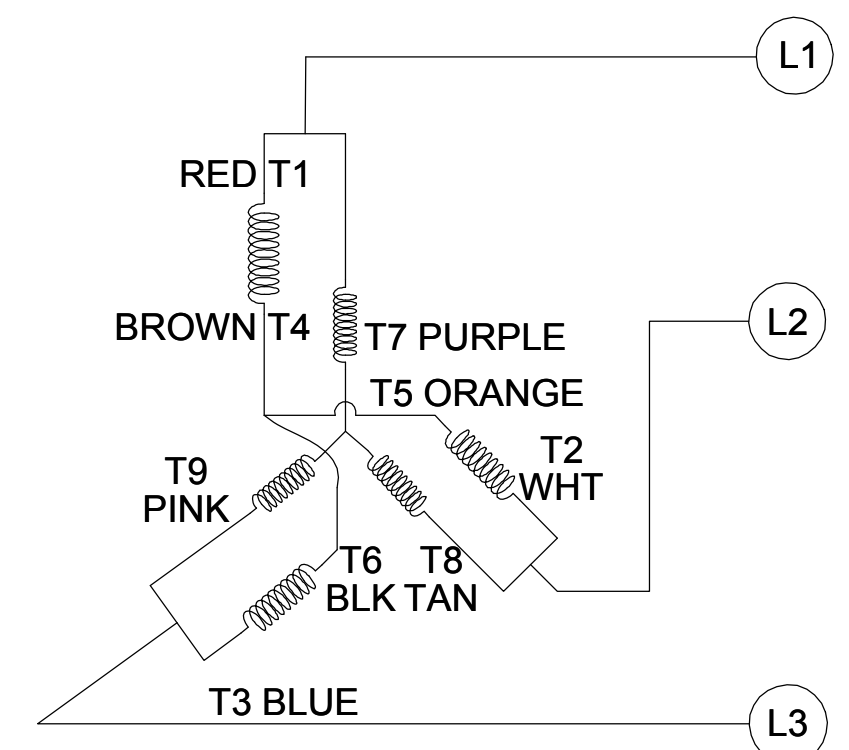
3

2

1

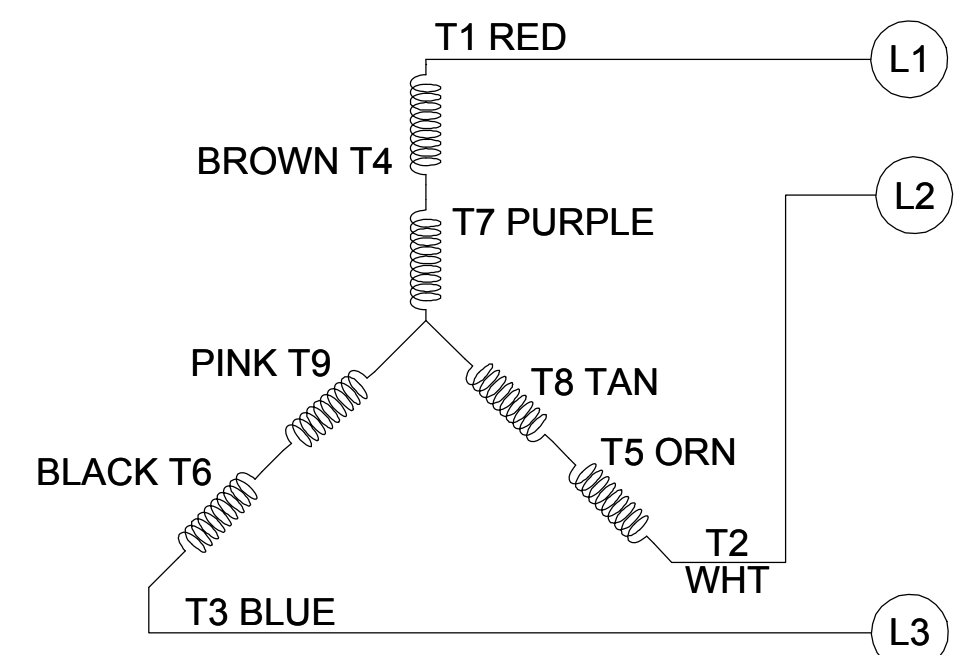
001

CCW LOW VOLTAGE



002

CCW HIGH VOLTAGE

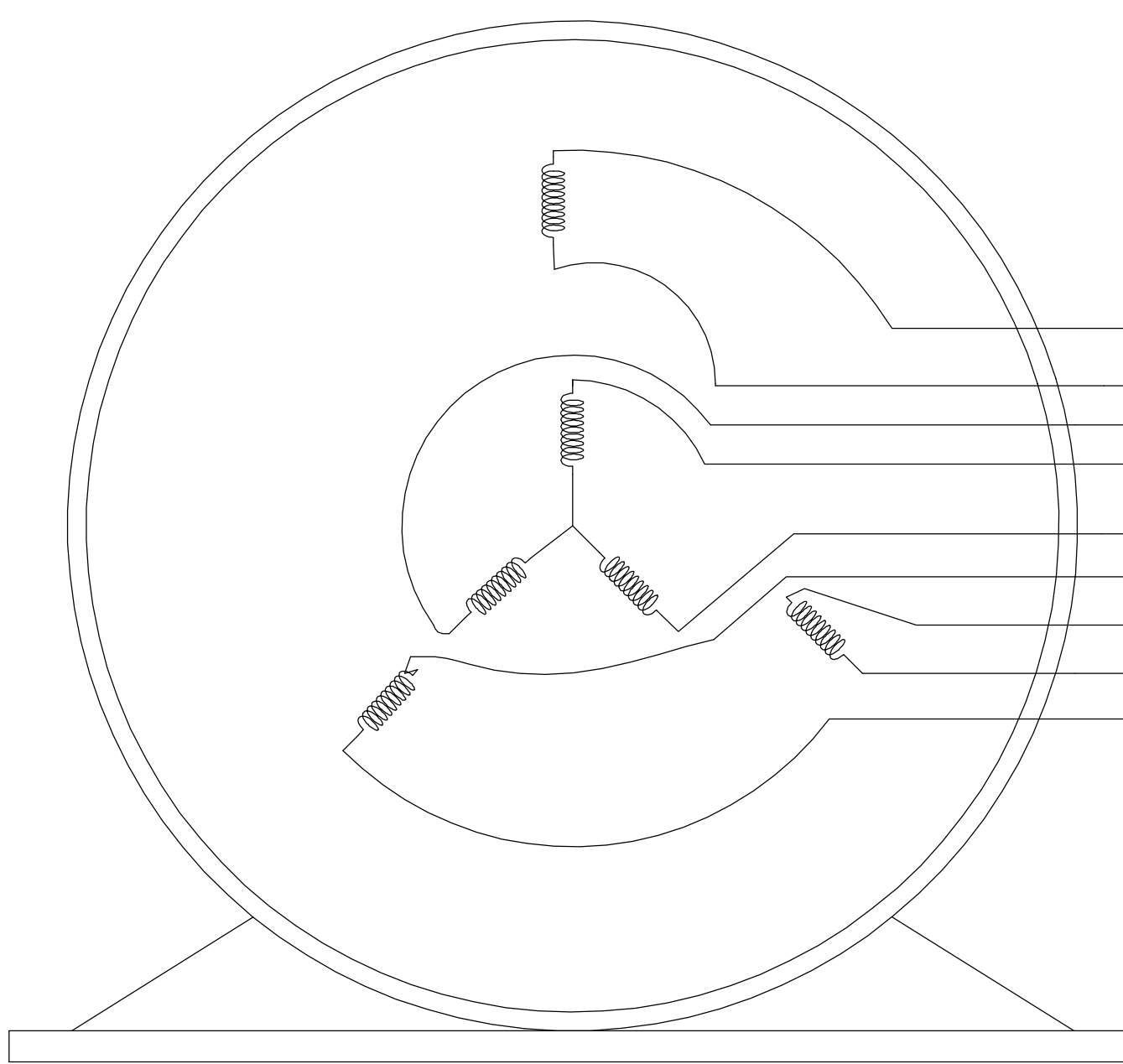


B

B

A

A



- T1 RED
- T4 BROWN
- T9 PINK
- T7 PURPLE
- T8 TAN
- T6 BLACK
- T5 ORANGE
- T2 WHITE
- T3 BLUE

VIEW OF TERMINAL END

- NOTE:
1. TO REVERSE ROTATION, INTERCHANGE ANY TWO LINE CONNECTIONS TO L1, L2, OR L3.
  2. CONNECTION DIAGRAM-NAMEPLATE DD10123-001 - CCWLE DD10199-001 - CWLE

DRAWING REVISION D	REVISION BY SHESHI	DATE 01/11/2019
ECO ECO-0159881	APPROVED BY CD	DATE 01/11/2019
ECO DESCRIPTION ADDED DD10199-001		
<small>COPYRIGHT REGAL BELOIT AMERICA, INC. ALL RIGHTS RESERVED. PROPRIETARY AND CONFIDENTIAL INFORMATION - THIS DOCUMENT IS THE PROPERTY OF REGAL BELOIT AMERICA, INC. ("OWNER") AND CONTAINS OWNER'S PROPRIETARY INFORMATION. ANY PERSON, CORPORATION OR OTHER FIRM RECEIVING IT IS DEEMED, BY RECEIVING IT, TO AGREE THAT IT, AND/OR ANY PART OF IT, SHALL NOT BE DISCLOSED TO ANY PERSON, CORPORATION OR OTHER ENTITY, DUPLICATED, AND/OR USED, EXCEPT AS EXPRESSLY APPROVED IN WRITING IN ADVANCE BY OWNER. THIS DOCUMENT SHALL BE RETURNED TO OWNER UPON REQUEST. IT MAY BE SUBJECT TO CERTAIN RESTRICTIONS UNDER APPLICABLE EXPORT CONTROL LAWS AND REGULATIONS.</small>		

TOLERANCES UNLESS OTHERWISE SPECIFIED:

DEC.	INCH	mm	ANGLE
.X	±0.1	[±2.5]	±0.5°
.XX	±0.01	[±0.25]	
.XXX	±0.005	[±0.127]	
.XXXX	±0.0005	[±0.0127]	

REMOVE BURRS & BREAK SHARP EDGES: .003/.015 [.076/.381]  
CORNER FILLETS: .02 [.51]  
MACHINED SURFACES: 125 INCH 3.2 mm

DRAWN BY G. RODRIGUEZ	DATE 12-01-2017
APPROVED BY J. A. MORENO	DATE 12-01-2017
REFERENCE CDTD103	
THIRD ANGLE PROJECTION	

Regal Beloit America, Inc.	
DESCRIPTION CONN DIAGRAM-EXTERNAL	
MATERIAL	PROCESS/FINISH
SIZE B	DRAWING NUMBER CDTD127
	SHEET 1 OF 1

4

3

2

1