

PRODUCT INFORMATION PACKET

Model No: 056T17F15952

Catalog No: FX01FK004

FLEX-IN-1™ General Purpose Motor, 1 HP, 3 Ph, 60 Hz, 575 V, 1800 RPM, 56HC Frame, TEFC



Regal and Marathon are trademarks of Regal Rexnord Corporation or one of its affiliated companies.
©2022 Regal Rexnord Corporation, All Rights Reserved. MC017097E



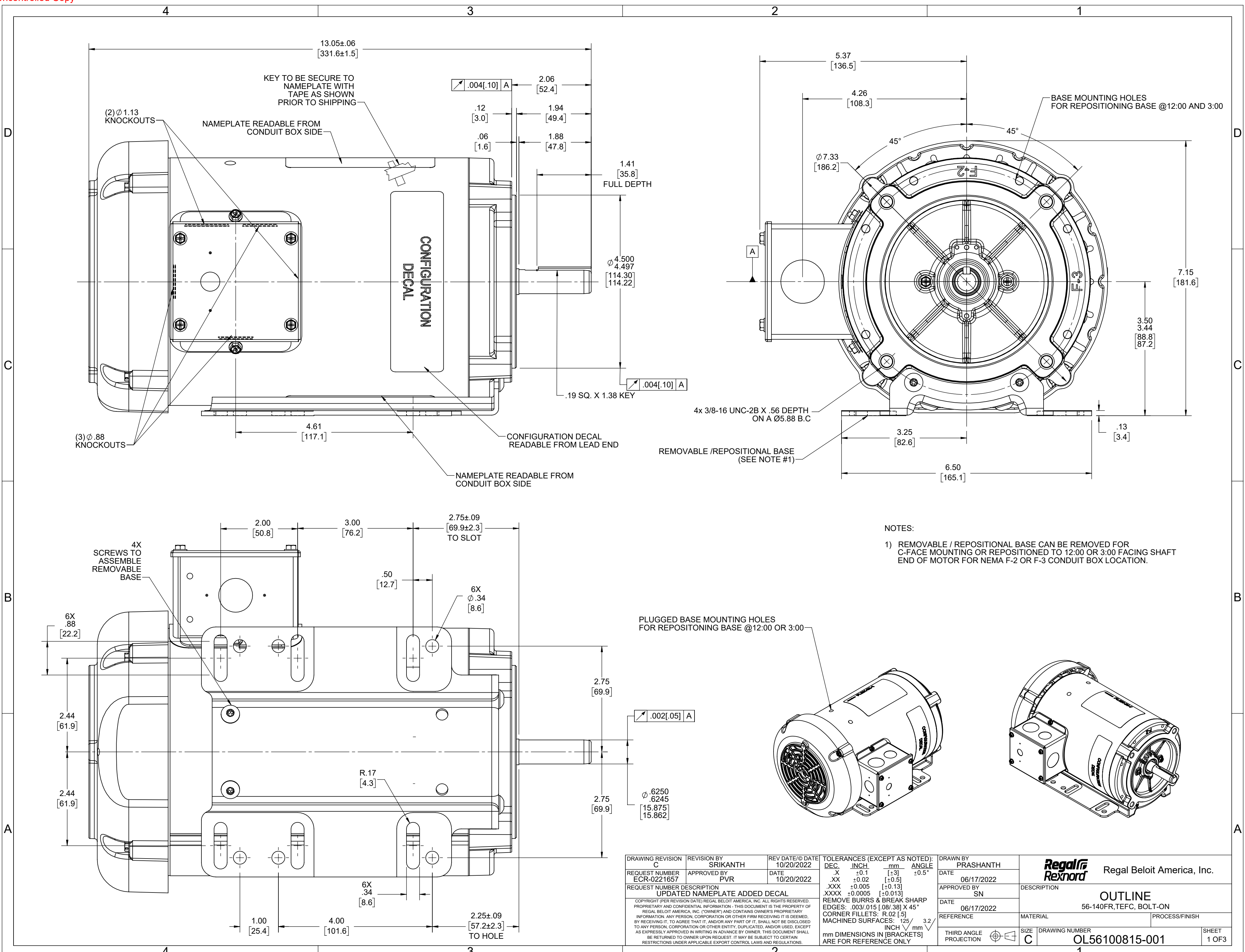
Nameplate Specifications

Output HP	1 Hp	Output KW	0.75 kW
Frequency	60 Hz	Voltage	575 V
Current	1.3 A	Speed	1725 rpm
Service Factor	1.15	Phase	3
Efficiency	85.5 %	Power Factor	68
Duty	Continuous	Insulation Class	F
Design Code	B	KVA Code	P
Frame	56HC	Enclosure	Totally Enclosed Fan Cooled
Thermal Protection	No Protection	Ambient Temperature	40 °C
Drive End Bearing Size	6203	Opp Drive End Bearing Size	6203
UL	Recognized	CSA	Y
CE	Y	IP Code	43
Number of Speeds	1		

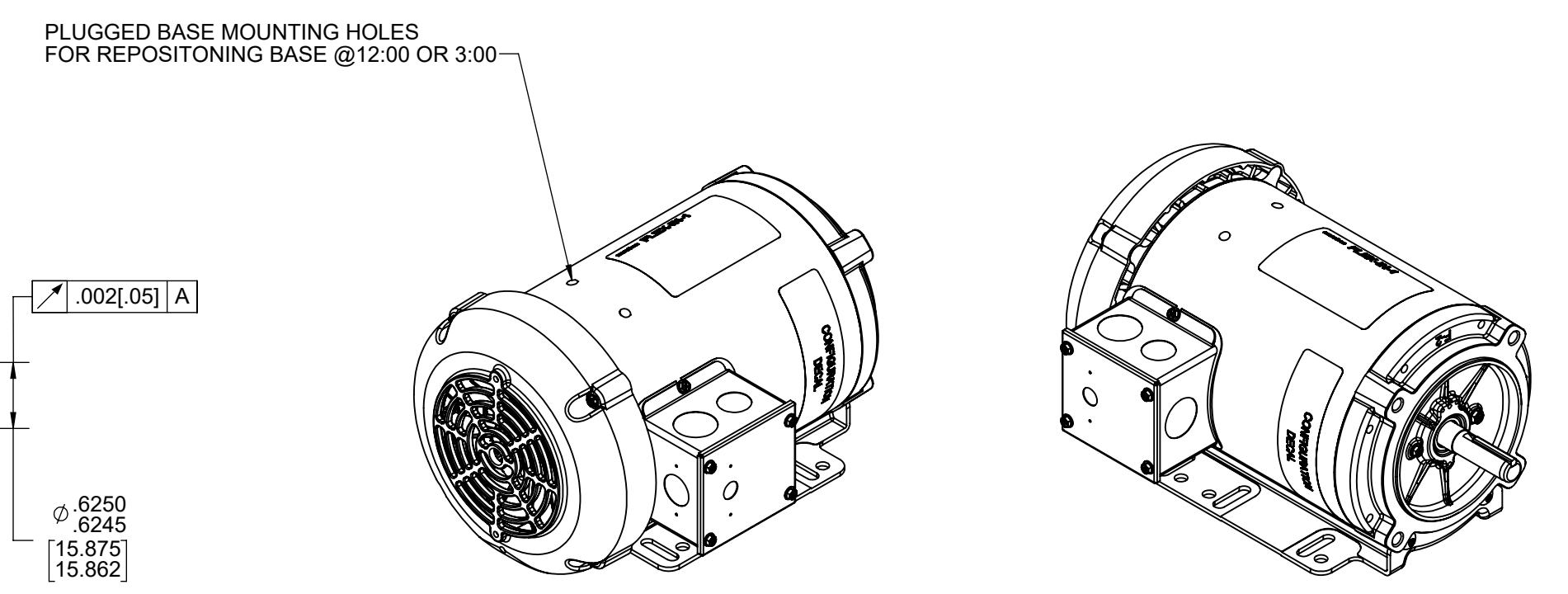
Technical Specifications

Electrical Type	Squirrel Cage Inverter Rated	Starting Method	Line Or Inverter
Poles	4	Rotation	Reversible
Resistance Main	11.8 Ohms	Mounting	Bolt-on Base
Motor Orientation	Horizontal Or Up Or Down	Drive End Bearing	Ball
Opp Drive End Bearing	Ball	Frame Material	Rolled Steel
Shaft Type	NEMA 56	Shaft Diameter	0.625 in
Assembly/Box Mounting	F1 ONLY	Inverter Load	CONSTANT 10:1
Connection Drawing	CDTS141	Outline Drawing	OL56100815-001

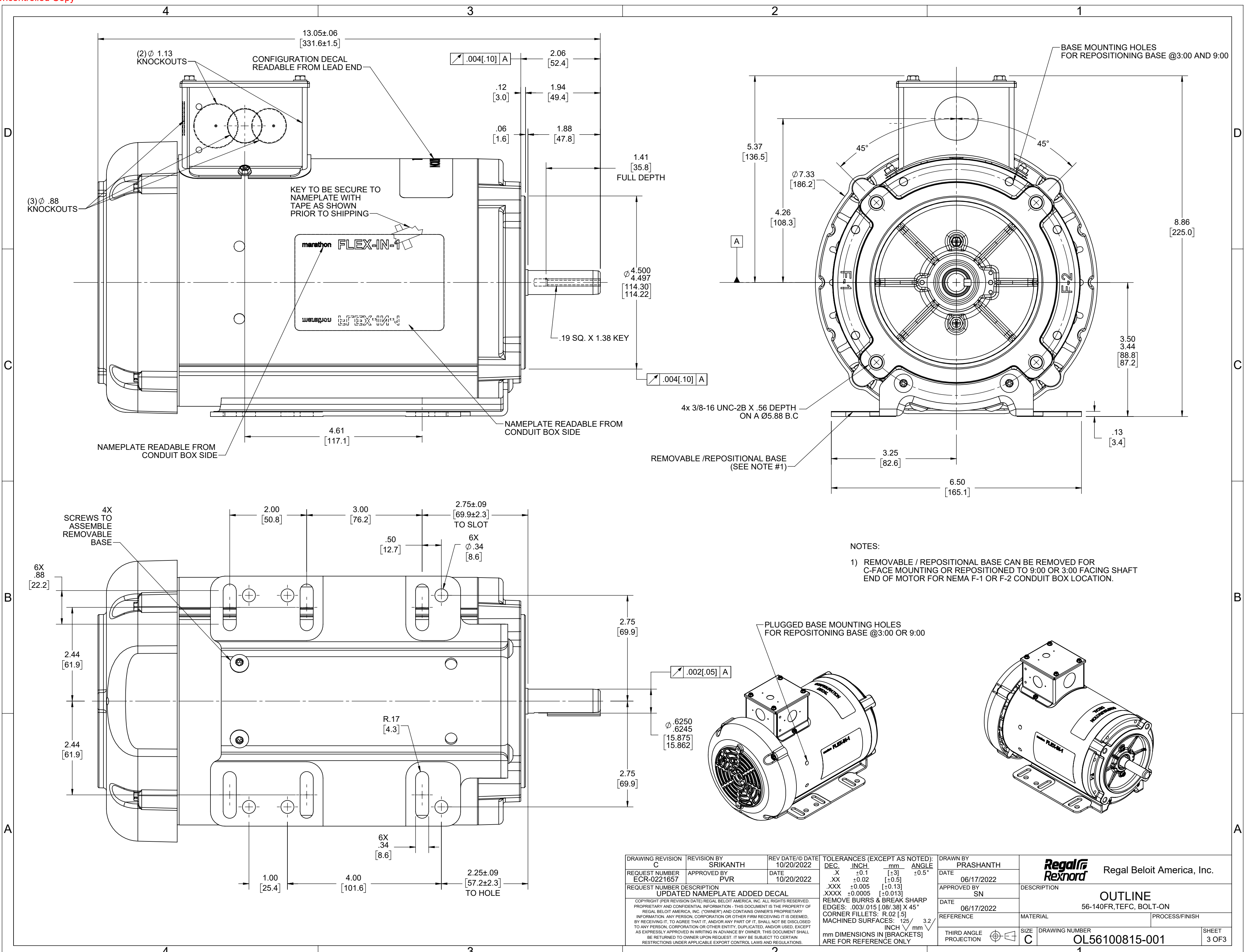
This is an uncontrolled document once printed or downloaded and is subject to change without notice. Date Created:11/30/2022



- NOTES:
- 1) REMOVABLE / REPOSITIONAL BASE CAN BE REMOVED FOR C-FACE MOUNTING OR REPOSITIONED TO 12:00 OR 3:00 FACING SHAFT END OF MOTOR FOR NEMA F-2 OR F-3 CONDUIT BOX LOCATION.

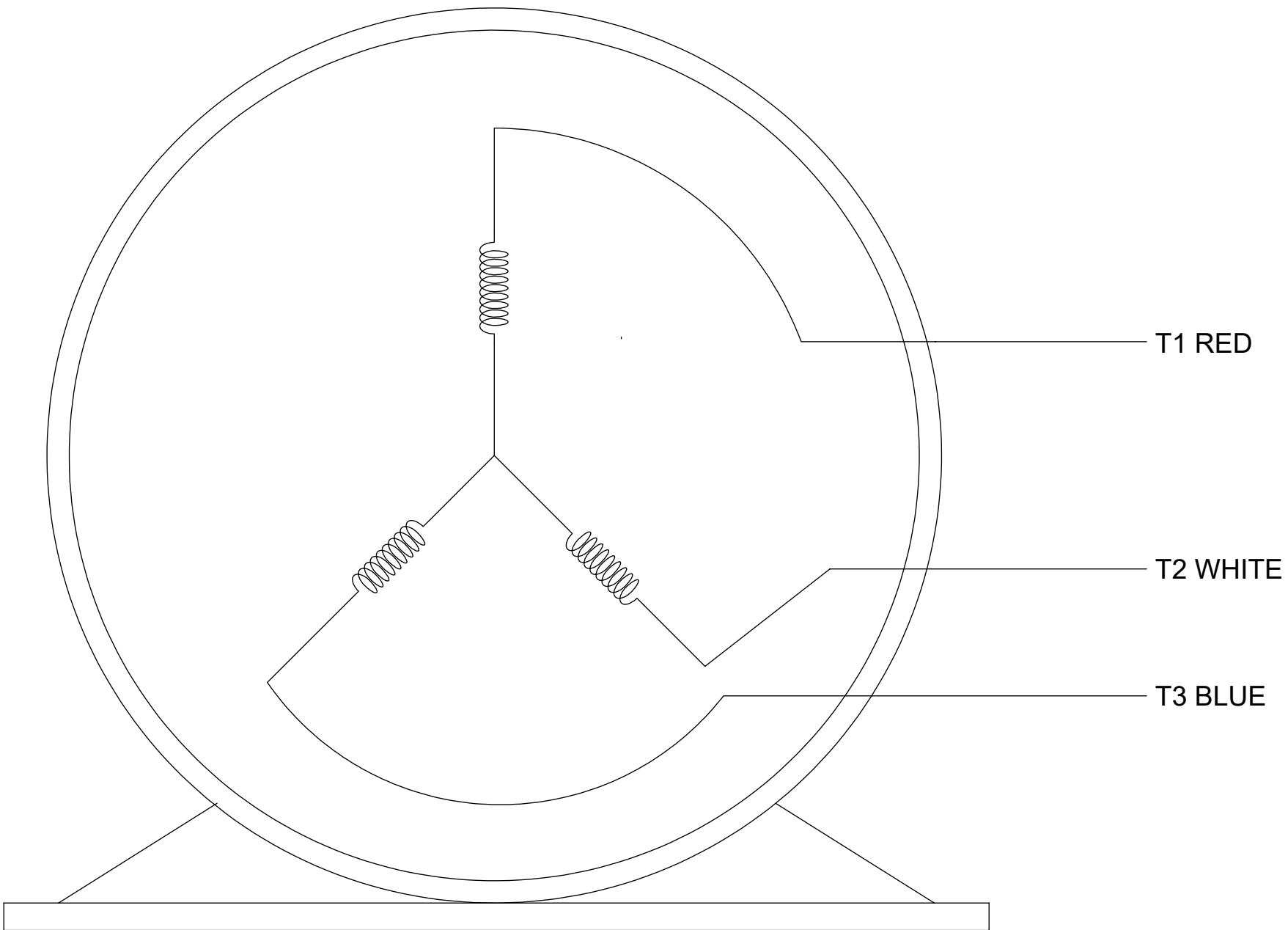


DRAWING REVISION C	REVISION BY SRIKANTH	REV DATE/DATE 10/20/2022	TOLERANCES (EXCEPT AS NOTED):				DRAWN BY PRASHANTH	Regal Rexnord Regal Beloit America, Inc.		
REQUEST NUMBER ECR-0221657	APPROVED BY PVR	DATE 10/20/2022	DEC.	INCH	mm	ANGLE	DATE 06/17/2022	DESCRIPTION		
REQUEST NUMBER DESCRIPTION UPDATED NAMEPLATE ADDED DECAL			.X	±0.1	[±3]	±0.5°	APPROVED BY SN	OUTLINE		
COPYRIGHT (PER REVISION DATE) REGAL BELOIT AMERICA, INC. ALL RIGHTS RESERVED. PROPRIETARY AND CONFIDENTIAL INFORMATION - THIS DOCUMENT IS THE PROPERTY OF REGAL BELOIT AMERICA, INC. ('OWNER') AND CONTAINS OWNER'S PROPRIETARY INFORMATION. ANY PERSON, CORPORATION OR OTHER FIRM RECEIVING IT IS DEEMED, BY RECEIVING IT, TO AGREE THAT IT, AND/OR ANY PART OF IT, SHALL NOT BE DISCLOSED TO ANY PERSON, CORPORATION OR OTHER ENTITY, DUPLICATED, AND/OR USED, EXCEPT AS EXPRESSLY APPROVED IN WRITING IN ADVANCE BY OWNER. THIS DOCUMENT SHALL BE RETURNED TO OWNER UPON REQUEST. IT MAY BE SUBJECT TO CERTAIN RESTRICTIONS UNDER APPLICABLE EXPORT CONTROL LAWS AND REGULATIONS.			.XX	±0.02	[±0.5]		DATE 06/17/2022	56-140FR,TEFC, BOLT-ON		
			.XXX	±0.005	[±0.13]		REFERENCE	MATERIAL	PROCESS/FINISH	
			.XXXX	±0.0005	[±0.013]					
			REMOVE BURRS & BREAK SHARP EDGES: .003/.015 [.08/.38] X 45°				THIRD ANGLE PROJECTION	SIZE C	DRAWING NUMBER OL56100815-001	SHEET 1 OF 3
			CORNER FILLETS: R.02 [.5]							
			MACHINED SURFACES: .125/ mm 3.2							
			mm DIMENSIONS IN [BRACKETS] ARE FOR REFERENCE ONLY							



DRAWING REVISION C	REVISION BY SRIKANTH	REV DATE/© DATE 10/20/2022	TOLERANCES (EXCEPT AS NOTED):				DRAWN BY PRASHANTH	Regal Rexnord Regal Beloit America, Inc.	
REQUEST NUMBER ECR-0221657	APPROVED BY PVR	DATE 10/20/2022	DEC.	INCH	mm	ANGLE	DATE 06/17/2022	DESCRIPTION	
REQUEST NUMBER DESCRIPTION UPDATED NAMEPLATE ADDED DECAL			.X	±0.1	[±3]	±0.5°	APPROVED BY SN	OUTLINE	
COPYRIGHT (PER REVISION DATE) REGAL BELOIT AMERICA, INC. ALL RIGHTS RESERVED. PROPRIETARY AND CONFIDENTIAL INFORMATION - THIS DOCUMENT IS THE PROPERTY OF REGAL BELOIT AMERICA, INC. ("OWNER") AND CONTAINS OWNER'S PROPRIETARY INFORMATION. ANY PERSON, CORPORATION OR OTHER FIRM RECEIVING IT IS DEEMED, BY RECEIVING IT, TO AGREE THAT IT, AND/OR ANY PART OF IT, SHALL NOT BE DISCLOSED TO ANY PERSON, CORPORATION OR OTHER ENTITY, DUPLICATED, AND/OR USED, EXCEPT AS EXPRESSLY APPROVED IN WRITING IN ADVANCE BY OWNER. THIS DOCUMENT SHALL BE RETURNED TO OWNER UPON REQUEST. IT MAY BE SUBJECT TO CERTAIN RESTRICTIONS UNDER APPLICABLE EXPORT CONTROL LAWS AND REGULATIONS.			.XX	±0.02	[±0.5]		DATE 06/17/2022	56-140FR,TEFC, BOLT-ON	
			.XXX	±0.005	[±0.13]		REFERENCE	MATERIAL	PROCESS/FINISH
			.XXXX	±0.0005	[±0.013]		THIRD ANGLE PROJECTION	SIZE C	DRAWING NUMBER OL56100815-001
			REMOVE BURRS & BREAK SHARP EDGES: .003/.015 [.08/.38] X 45° CORNER FILLETS: R.02 [.5] MACHINED SURFACES: .125 / mm 3.2 INCH / mm ARE FOR REFERENCE ONLY					SHEET 3 OF 3	

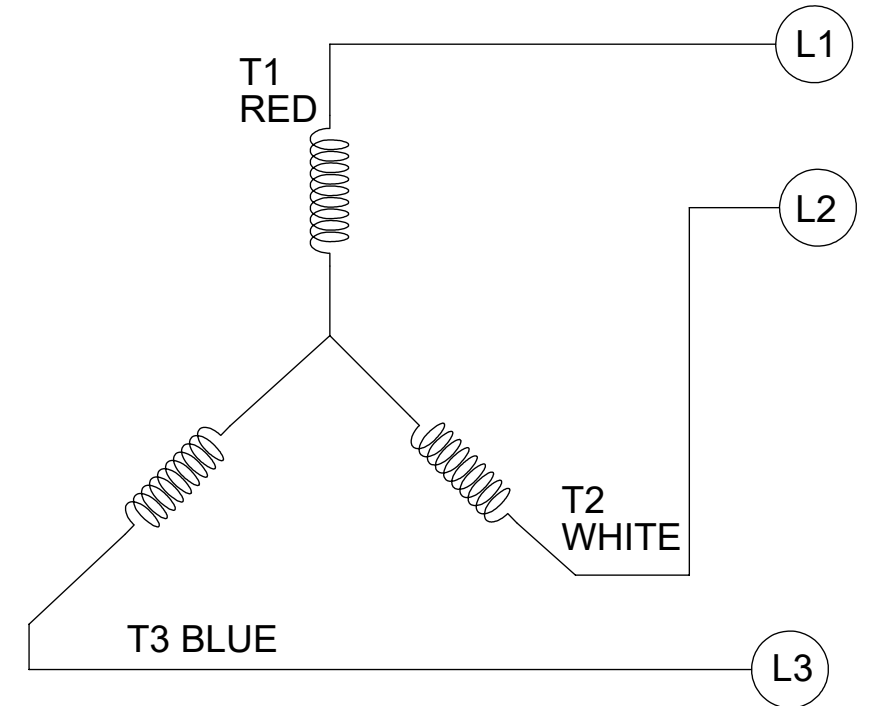
SINGLE VOLTAGE-THREE PHASE WITHOUT PROTECTOR



VIEW OF TERMINAL END

CCW-SINGLE VOLTAGE

001



NOTES:

1. TO REVERSE ROTATION, INTERCHANGE ANY TWO LINE CONNECTIONS TO L1, L2, OR L3.
2. CONNECTION DIAGRAM-NAMEPLATE DD10213-001

DRAWING REVISION B	REVISION BY PRASHANTH	REV DATE/© DATE 06/22/2022
REQUEST NUMBER NMR-0213855	APPROVED BY BHARGAVI	DATE 06/22/2022
REQUEST NUMBER DESCRIPTION CHANGED NOTES FROM LOW TO SINGLE VOLTAGE		
<small>COPYRIGHT (PER REVISION DATE) REGAL BELOIT AMERICA, INC. ALL RIGHTS RESERVED. PROPRIETARY AND CONFIDENTIAL INFORMATION - THIS DOCUMENT IS THE PROPERTY OF REGAL BELOIT AMERICA, INC. ("OWNER") AND CONTAINS OWNER'S PROPRIETARY INFORMATION. ANY PERSON, CORPORATION OR OTHER FIRM RECEIVING IT IS DEEMED, BY RECEIVING IT, TO AGREE THAT IT, AND/OR ANY PART OF IT, SHALL NOT BE DISCLOSED TO ANY PERSON, CORPORATION OR OTHER ENTITY, DUPLICATED, AND/OR USED, EXCEPT AS EXPRESSLY APPROVED IN WRITING IN ADVANCE BY OWNER. THIS DOCUMENT SHALL BE RETURNED TO OWNER UPON REQUEST. IT MAY BE SUBJECT TO CERTAIN RESTRICTIONS UNDER APPLICABLE EXPORT CONTROL LAWS AND REGULATIONS.</small>		

TOLERANCES (EXCEPT AS NOTED):			
DEC.	INCH	mm	ANGLE
.X	±0.1	[±3]	±0.5°
.XX	±0.01	[±0.3]	
.XXX	±0.005	[±0.13]	
.XXXX	±0.0005	[±0.013]	
REMOVE BURRS & BREAK SHARP EDGES: .003/.015 [.08/.38] X 45°			
CORNER FILLETS: R.02 [.5]			
MACHINED SURFACES: 125/3.2 INCH/mm			
mm DIMENSIONS IN [BRACKETS] ARE FOR REFERENCE ONLY			

DRAWN BY SHESHI
DATE 03/07/2019
APPROVED BY BHARGAVI
DATE 03/07/2019
REFERENCE CDTS139
THIRD ANGLE PROJECTION

		Regal Beloit America, Inc.	
DESCRIPTION CONN DIAGRAM-EXTERNAL			
MATERIAL		PROCESS/FINISH	
SIZE B	DRAWING NUMBER CDTS141	SHEET 1 OF 1	