

PRODUCT INFORMATION PACKET

Model No: 056T17F15953

Catalog No: FX02BK004

FLEX-IN-1™ General Purpose Motor, 2 HP, 3 Ph, 60 Hz, 208-230/460 V, 1800 RPM, 56HC Frame, TEFC



Regal and Marathon are trademarks of Regal Rexnord Corporation or one of its affiliated companies.

©2022 Regal Rexnord Corporation, All Rights Reserved. MC017097E



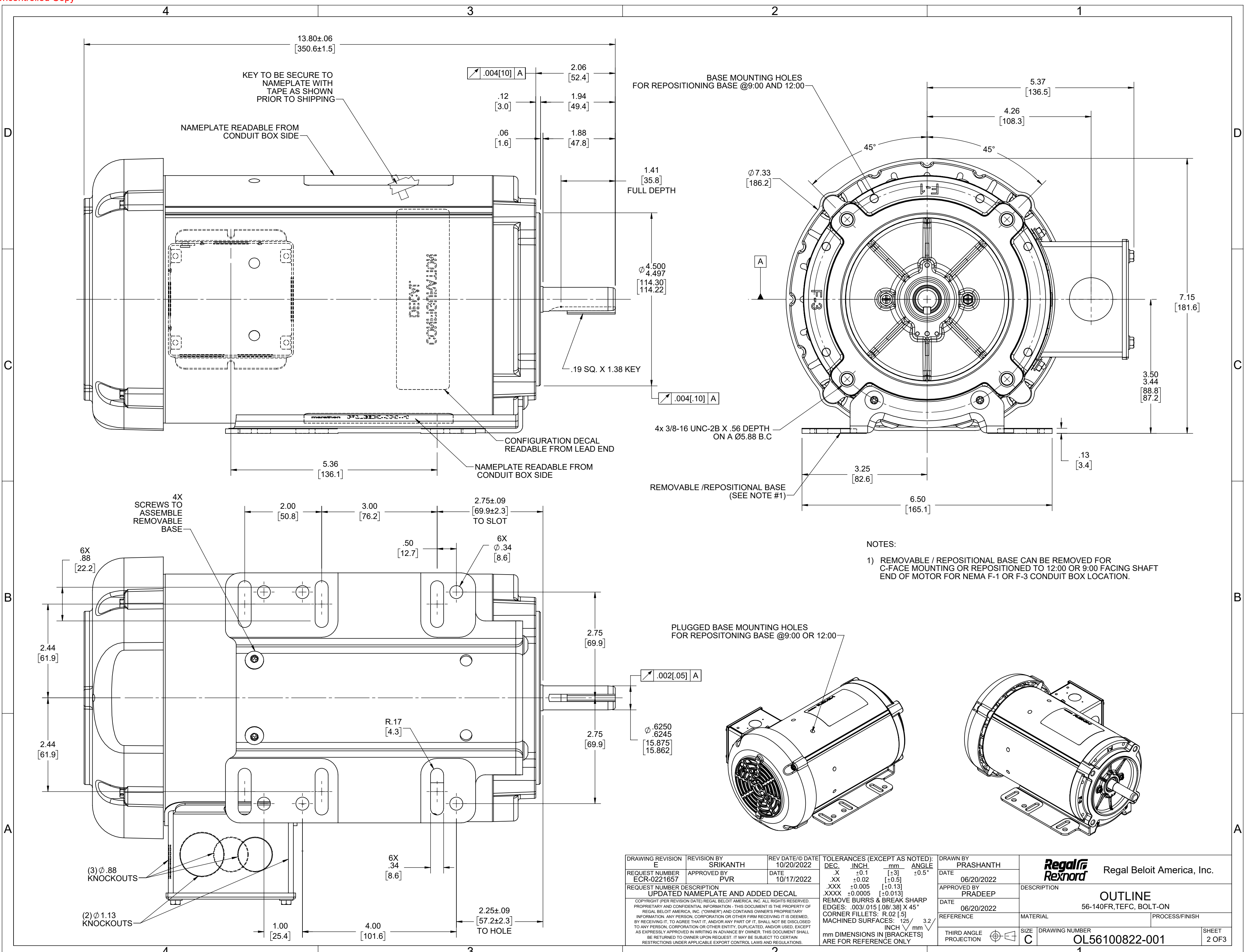
Nameplate Specifications

Output HP	2 Hp	Output KW	1.5 kW
Frequency	60 Hz	Voltage	208-230/460 V
Current	6.2-6.0/3.0 A	Speed	1725 rpm
Service Factor	1.15	Phase	3
Efficiency	86.5 %	Power Factor	71
Duty	Continuous	Insulation Class	F
Design Code	B	KVA Code	N
Frame	56HC	Enclosure	Totally Enclosed Fan Cooled
Thermal Protection	No Protection	Ambient Temperature	40 °C
Drive End Bearing Size	6203	Opp Drive End Bearing Size	6203
UL	Recognized	CSA	Y
CE	Y	IP Code	43
Number of Speeds	1		

Technical Specifications

Electrical Type	Squirrel Cage Inverter Rated	Starting Method	Line Or Inverter
Poles	4	Rotation	Reversible
Mounting	Bolt-on Base	Motor Orientation	Horizontal Or Up Or Down
Drive End Bearing	Ball	Opp Drive End Bearing	Ball
Frame Material	Rolled Steel	Shaft Type	NEMA 56
Shaft Diameter	0.625 in	Assembly/Box Mounting	F1 ONLY
Inverter Load	CONSTANT 10:1		
Outline Drawing	OL56100822-001	Connection Drawing	CDTD127

This is an uncontrolled document once printed or downloaded and is subject to change without notice. Date Created:11/30/2022



13.80±.06
[350.6±1.5]

KEY TO BE SECURE TO NAMEPLATE WITH TAPE AS SHOWN PRIOR TO SHIPPING

NAMEPLATE READABLE FROM CONDUIT BOX SIDE

∠.004[10] A

2.06
[52.4]

.12
[3.0]

1.94
[49.4]

.06
[1.6]

1.88
[47.8]

1.41
[35.8]
FULL DEPTH

∅ 4.500
4.497
[114.30]
[114.22]

.19 SQ. X 1.38 KEY

∠.004[10] A

4x 3/8-16 UNC-2B X .56 DEPTH ON A ∅5.88 B.C

REMOVABLE / REPOSITIONAL BASE (SEE NOTE #1)

CONFIGURATION DECAL READABLE FROM LEAD END

NAMEPLATE READABLE FROM CONDUIT BOX SIDE

5.36
[136.1]

4X SCREWS TO ASSEMBLE REMOVABLE BASE

2.00
[50.8]

3.00
[76.2]

2.75±.09
[69.9±2.3]
TO SLOT

.50
[12.7]

6X ∅.34
[8.6]

2.75
[69.9]

R.17
[4.3]

2.75
[69.9]

PLUGGED BASE MOUNTING HOLES FOR REPOSITIONING BASE @9:00 OR 12:00

∠.002[05] A

∅ .6250
.6245
[15.875]
[15.862]

(3) ∅.88 KNOCKOUTS

(2) ∅ 1.13 KNOCKOUTS

6X ∅.34
[8.6]

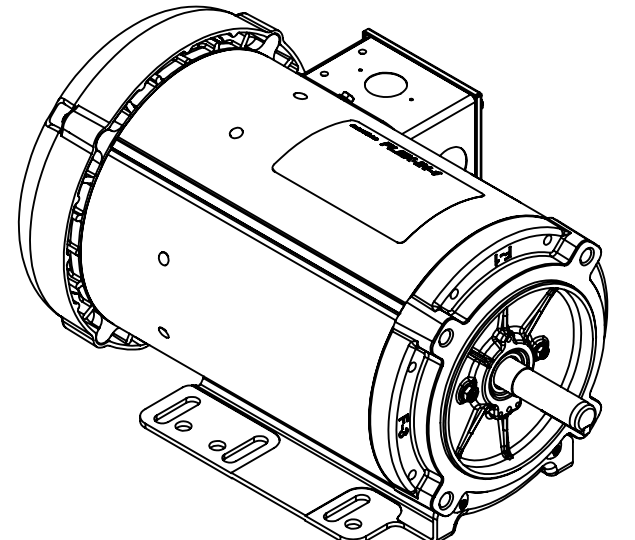
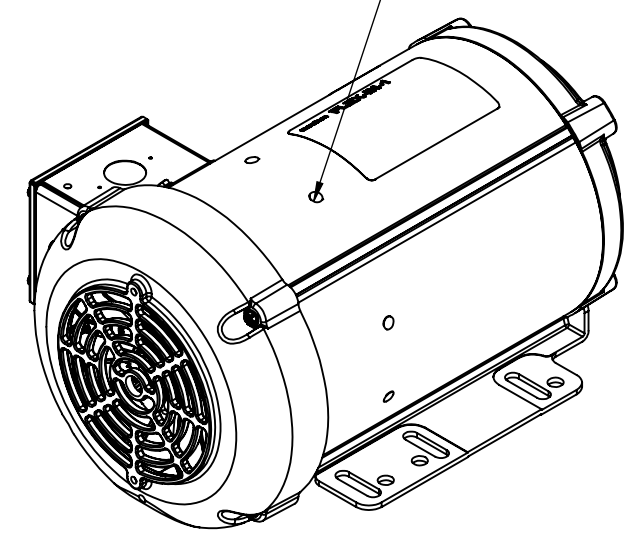
2.25±.09
[57.2±2.3]
TO HOLE

1.00
[25.4]

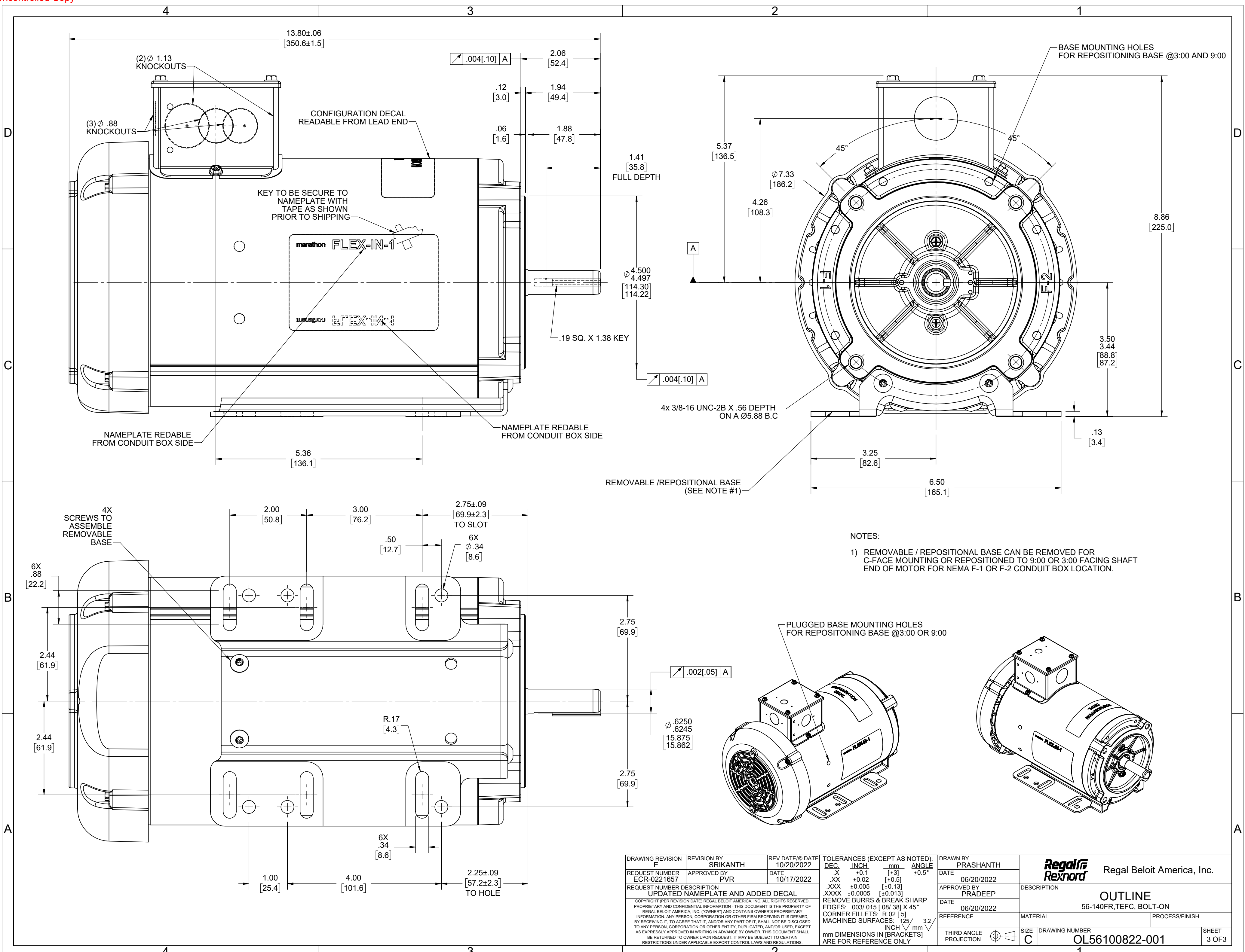
4.00
[101.6]

NOTES:

- 1) REMOVABLE / REPOSITIONAL BASE CAN BE REMOVED FOR C-FACE MOUNTING OR REPOSITIONED TO 12:00 OR 9:00 FACING SHAFT END OF MOTOR FOR NEMA F-1 OR F-3 CONDUIT BOX LOCATION.



DRAWING REVISION E	REVISION BY SRIKANTH	REV DATE/∅ DATE 10/20/2022	TOLERANCES (EXCEPT AS NOTED):		DRAWN BY PRASHANTH	Regal Beloit America, Inc.
REQUEST NUMBER ECR-0221657	APPROVED BY PVR	DATE 10/17/2022	DEC.	INCH	mm	
REQUEST NUMBER DESCRIPTION UPDATED NAMEPLATE AND ADDED DECAL			.X	±0.1	[±3]	±0.5°
COPYRIGHT (PER REVISION DATE) REGAL BELOIT AMERICA, INC. ALL RIGHTS RESERVED. PROPRIETARY AND CONFIDENTIAL INFORMATION - THIS DOCUMENT IS THE PROPERTY OF REGAL BELOIT AMERICA, INC. ("OWNER") AND CONTAINS OWNER'S PROPRIETARY INFORMATION. ANY PERSON, CORPORATION OR OTHER FIRM RECEIVING IT IS DEEMED, BY RECEIVING IT, TO AGREE THAT IT, AND/OR ANY PART OF IT, SHALL NOT BE DISCLOSED TO ANY PERSON, CORPORATION OR OTHER ENTITY, DUPLICATED, AND/OR USED, EXCEPT AS EXPRESSLY APPROVED IN WRITING IN ADVANCE BY OWNER. THIS DOCUMENT SHALL BE RETURNED TO OWNER UPON REQUEST. IT MAY BE SUBJECT TO CERTAIN RESTRICTIONS UNDER APPLICABLE EXPORT CONTROL LAWS AND REGULATIONS.			.XX	±0.02	[±0.5]	
			.XXX	±0.005	[±0.13]	
			.XXXX	±0.0005	[±0.013]	
			REMOVE BURRS & BREAK SHARP EDGES: .003/.015 [.08/.38] X 45°		CORNER FILLETS: R.02 [.5]	
mm DIMENSIONS IN [BRACKETS] INCH DIMENSIONS IN [BRACKETS] ARE FOR REFERENCE ONLY			THIRD ANGLE PROJECTION		SIZE C	DRAWING NUMBER OL56100822-001
					DATE 06/20/2022	DESCRIPTION OUTLINE 56-140FR,TEFC, BOLT-ON
					APPROVED BY PRADEEP	MATERIAL
					DATE 06/20/2022	PROCESS/FINISH
					REFERENCE	
					THIRD ANGLE PROJECTION	SHEET 2 OF 3



- NOTES:
- 1) REMOVABLE / REPOSITIONAL BASE CAN BE REMOVED FOR C-FACE MOUNTING OR REPOSITIONED TO 9:00 OR 3:00 FACING SHAFT END OF MOTOR FOR NEMA F-1 OR F-2 CONDUIT BOX LOCATION.

DRAWING REVISION E	REVISION BY SRIKANTH	REV DATE/© DATE 10/20/2022	TOLERANCES (EXCEPT AS NOTED):				DRAWN BY PRASHANTH	 Regal Beloit America, Inc.	
REQUEST NUMBER ECR-0221657	APPROVED BY PVR	DATE 10/17/2022	DEC.	INCH	mm	ANGLE	DATE 06/20/2022		
REQUEST NUMBER DESCRIPTION UPDATED NAMEPLATE AND ADDED DECAL			.X	±0.1	[±3]	±0.5°	APPROVED BY PRADEEP	DESCRIPTION OUTLINE	
COPYRIGHT (PER REVISION DATE) REGAL BELOIT AMERICA, INC. ALL RIGHTS RESERVED. PROPRIETARY AND CONFIDENTIAL INFORMATION - THIS DOCUMENT IS THE PROPERTY OF REGAL BELOIT AMERICA, INC. ("OWNER") AND CONTAINS OWNER'S PROPRIETARY INFORMATION. ANY PERSON, CORPORATION OR OTHER FIRM RECEIVING IT IS DEEMED, BY RECEIVING IT, TO AGREE THAT IT, AND/OR ANY PART OF IT, SHALL NOT BE DISCLOSED TO ANY PERSON, CORPORATION OR OTHER ENTITY, DUPLICATED, AND/OR USED, EXCEPT AS EXPRESSLY APPROVED IN WRITING IN ADVANCE BY OWNER. THIS DOCUMENT SHALL BE RETURNED TO OWNER UPON REQUEST. IT MAY BE SUBJECT TO CERTAIN RESTRICTIONS UNDER APPLICABLE EXPORT CONTROL LAWS AND REGULATIONS.			.XXX	±0.02	[±0.5]		DATE 06/20/2022	MATERIAL 56-140FR,TEFC, BOLT-ON	
			.XXXX	±0.005	[±0.13]		REFERENCE	PROCESS/FINISH	
			.XXXXX	±0.0005	[±0.013]		THIRD ANGLE PROJECTION	MATERIAL	
			REMOVE BURRS & BREAK SHARP EDGES: .003/.015 [.08/.38] X 45°				SIZE C	DRAWING NUMBER OL56100822-001	SHEET 3 OF 3
			CORNER FILLETS: R.02 [.5]						
			MACHINED SURFACES: .125/ mm 3.2						
			mm DIMENSIONS IN [BRACKETS] INCH ARE FOR REFERENCE ONLY						

4

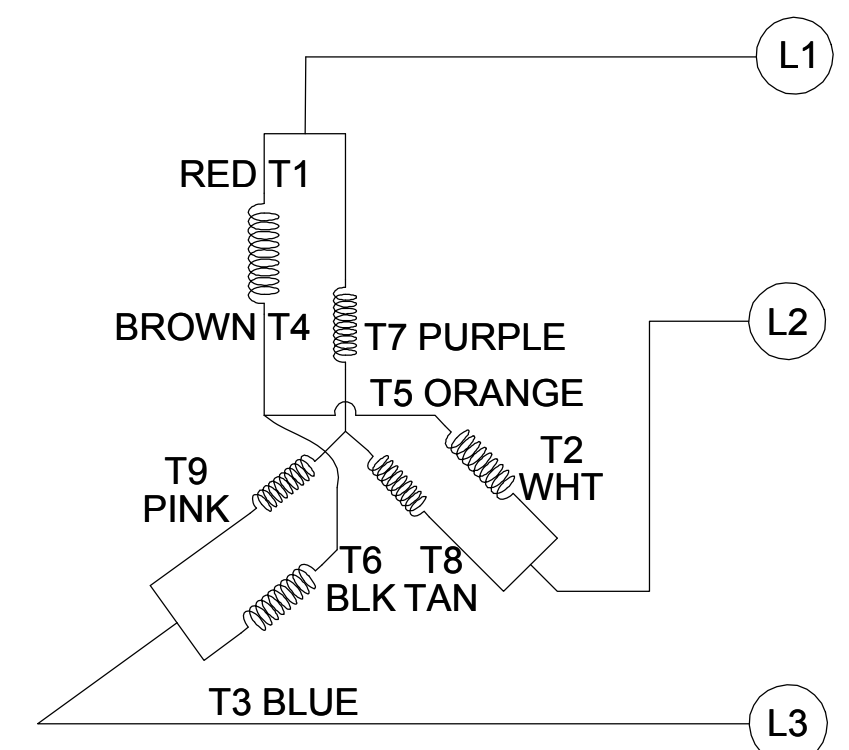
3

2

1

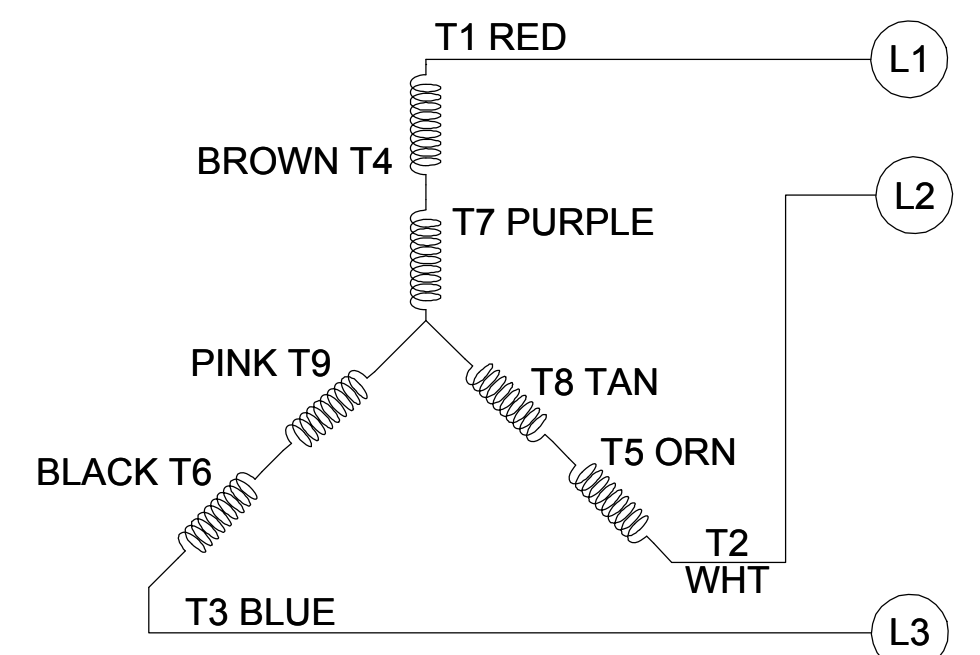
001

CCW LOW VOLTAGE



002

CCW HIGH VOLTAGE

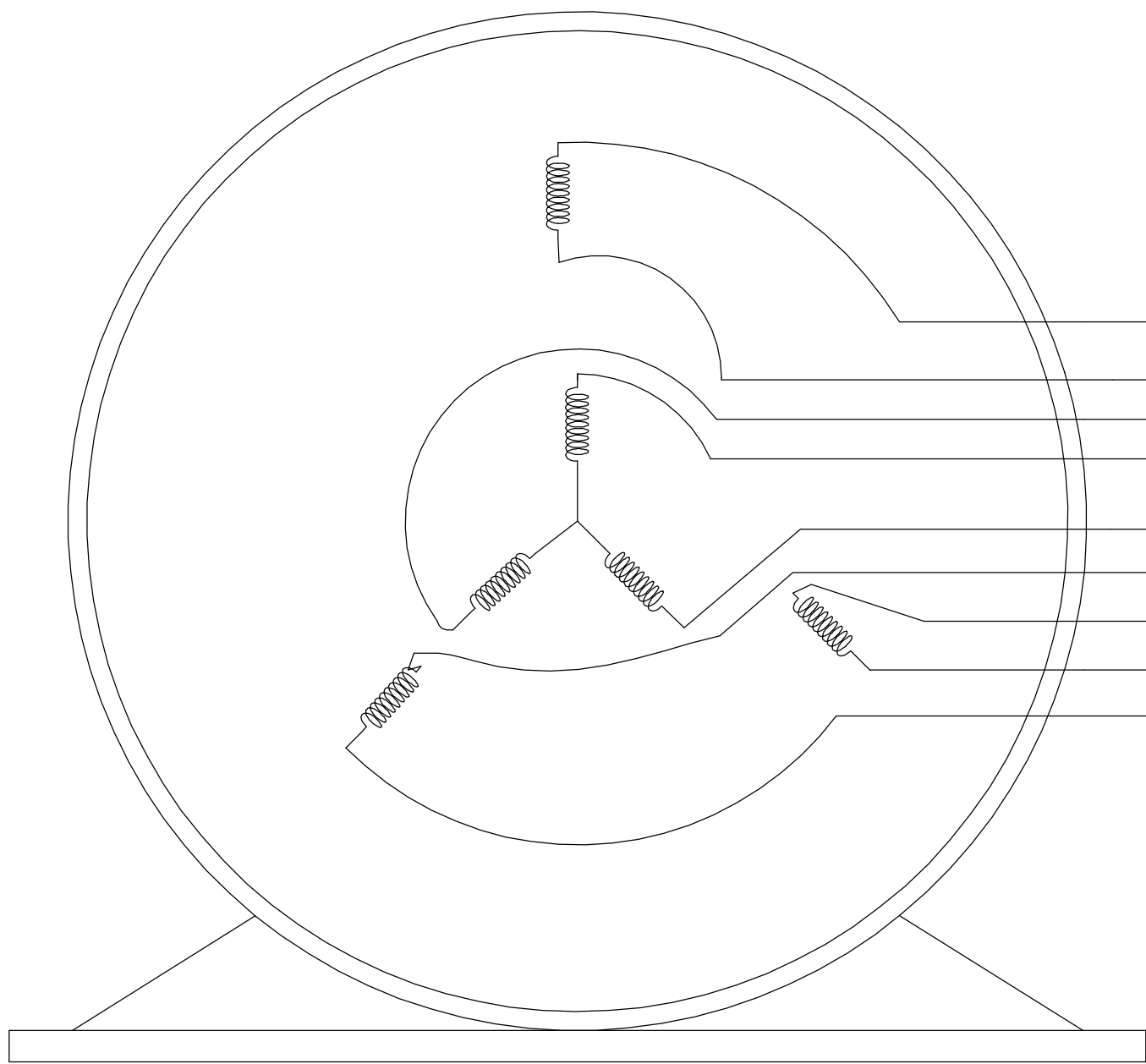


B

B

A

A



- T1 RED
- T4 BROWN
- T9 PINK
- T7 PURPLE
- T8 TAN
- T6 BLACK
- T5 ORANGE
- T2 WHITE
- T3 BLUE

VIEW OF TERMINAL END

NOTE:

1. TO REVERSE ROTATION, INTERCHANGE ANY TWO LINE CONNECTIONS TO L1, L2, OR L3.
2. CONNECTION DIAGRAM-NAMEPLATE DD10123-001 - CCWLE DD10199-001 - CWLE

DRAWING REVISION D	REVISION BY SHESHI	DATE 01/11/2019
ECO ECO-0159881	APPROVED BY CD	DATE 01/11/2019
ECO DESCRIPTION ADDED DD10199-001		
<small>COPYRIGHT REGAL BELOIT AMERICA, INC. ALL RIGHTS RESERVED. PROPRIETARY AND CONFIDENTIAL INFORMATION - THIS DOCUMENT IS THE PROPERTY OF REGAL BELOIT AMERICA, INC. ("OWNER") AND CONTAINS OWNER'S PROPRIETARY INFORMATION. ANY PERSON, CORPORATION OR OTHER FIRM RECEIVING IT IS DEEMED, BY RECEIVING IT, TO AGREE THAT IT, AND/OR ANY PART OF IT, SHALL NOT BE DISCLOSED TO ANY PERSON, CORPORATION OR OTHER ENTITY, DUPLICATED, AND/OR USED, EXCEPT AS EXPRESSLY APPROVED IN WRITING IN ADVANCE BY OWNER. THIS DOCUMENT SHALL BE RETURNED TO OWNER UPON REQUEST. IT MAY BE SUBJECT TO CERTAIN RESTRICTIONS UNDER APPLICABLE EXPORT CONTROL LAWS AND REGULATIONS.</small>		

TOLERANCES UNLESS OTHERWISE SPECIFIED:		
DEC.	INCH	mm
.X	±0.1	[±2.5]
.XX	±0.01	[±0.25]
.XXX	±0.005	[±0.127]
.XXXX	±0.0005	[±0.0127]
REMOVE BURRS & BREAK SHARP EDGES: .003/.015 [.076/.381] CORNER FILLETS: .02 [.51] MACHINED SURFACES: 125 INCH 3.2 mm SHOWN IN [BRACKETS]		

DRAWN BY G. RODRIGUEZ	DATE 12-01-2017
APPROVED BY J. A. MORENO	DATE 12-01-2017
REFERENCE CDTD103	THIRD ANGLE PROJECTION

Regal Beloit America, Inc.	
DESCRIPTION CONN DIAGRAM-EXTERNAL	
MATERIAL	PROCESS/FINISH
SIZE B	DRAWING NUMBER CDTD127
SHEET 1 OF 1	

4

3

2

1