

# PRODUCT INFORMATION PACKET

Model No: 056T34F15674

Catalog No: FX02FK002

FLEX-IN-1™ General Purpose Motor, 2 HP, 3 Ph, 60 Hz, 575 V, 3600 RPM, 56HC Frame, TEFC



Regal and Marathon are trademarks of Regal Rexnord Corporation or one of its affiliated companies.  
©2022 Regal Rexnord Corporation, All Rights Reserved. MC017097E



### Nameplate Specifications

Output HP	<b>2 Hp</b>	Output KW	<b>1.5 kW</b>
Frequency	<b>60 Hz</b>	Voltage	<b>575 V</b>
Current	<b>2.0 A</b>	Speed	<b>3450 rpm</b>
Service Factor	<b>1.15</b>	Phase	<b>3</b>
Efficiency	<b>85.5 %</b>	Power Factor	<b>86</b>
Duty	<b>Continuous</b>	Insulation Class	<b>F</b>
Design Code	<b>B</b>	KVA Code	<b>K</b>
Frame	<b>56HC</b>	Enclosure	<b>Totally Enclosed Fan Cooled</b>
Thermal Protection	<b>No Protection</b>	Ambient Temperature	<b>40 °C</b>
Drive End Bearing Size	<b>6203</b>	Opp Drive End Bearing Size	<b>6203</b>
UL	<b>Recognized</b>	CSA	<b>Y</b>
CE	<b>Y</b>	IP Code	<b>43</b>
Number of Speeds	<b>1</b>		

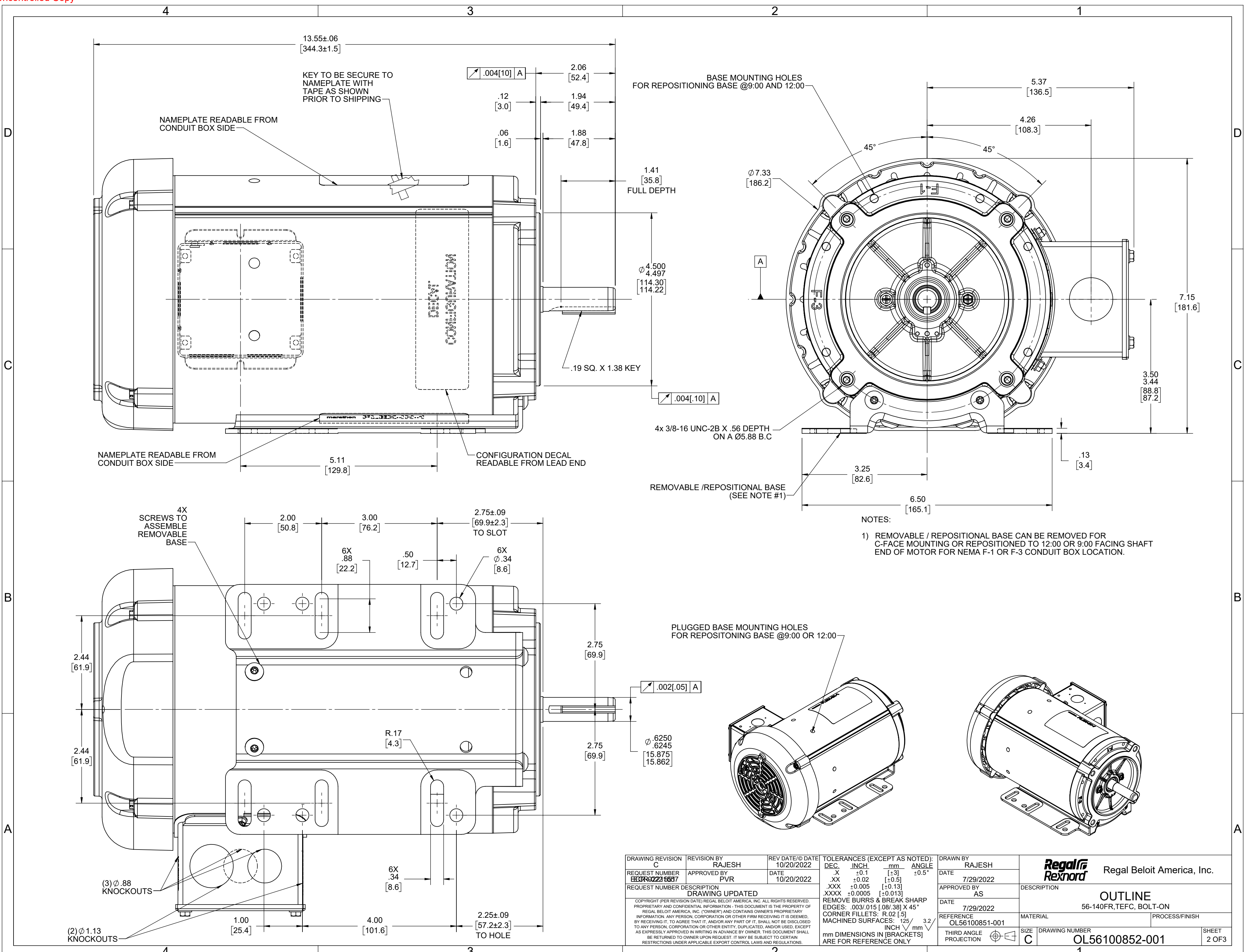
### Technical Specifications

Electrical Type	<b>Squirrel Cage Inverter Rated</b>	Starting Method	<b>Line Or Inverter</b>
Poles	<b>2</b>	Rotation	<b>Reversible</b>
Resistance Main	<b>7.1 Ohms</b>	Mounting	<b>Bolt-on Base</b>
Motor Orientation	<b>Horizontal Or Up Or Down</b>	Drive End Bearing	<b>Ball</b>
Opp Drive End Bearing	<b>Ball</b>	Frame Material	<b>Rolled Steel</b>
Shaft Type	<b>NEMA 56</b>	Shaft Diameter	<b>0.625 in</b>
Assembly/Box Mounting	<b>F1 ONLY</b>	Inverter Load	<b>CONSTANT 10:1</b>
Outline Drawing	<b>OL56100852-001</b>	Connection Drawing	<b>CDTS141</b>

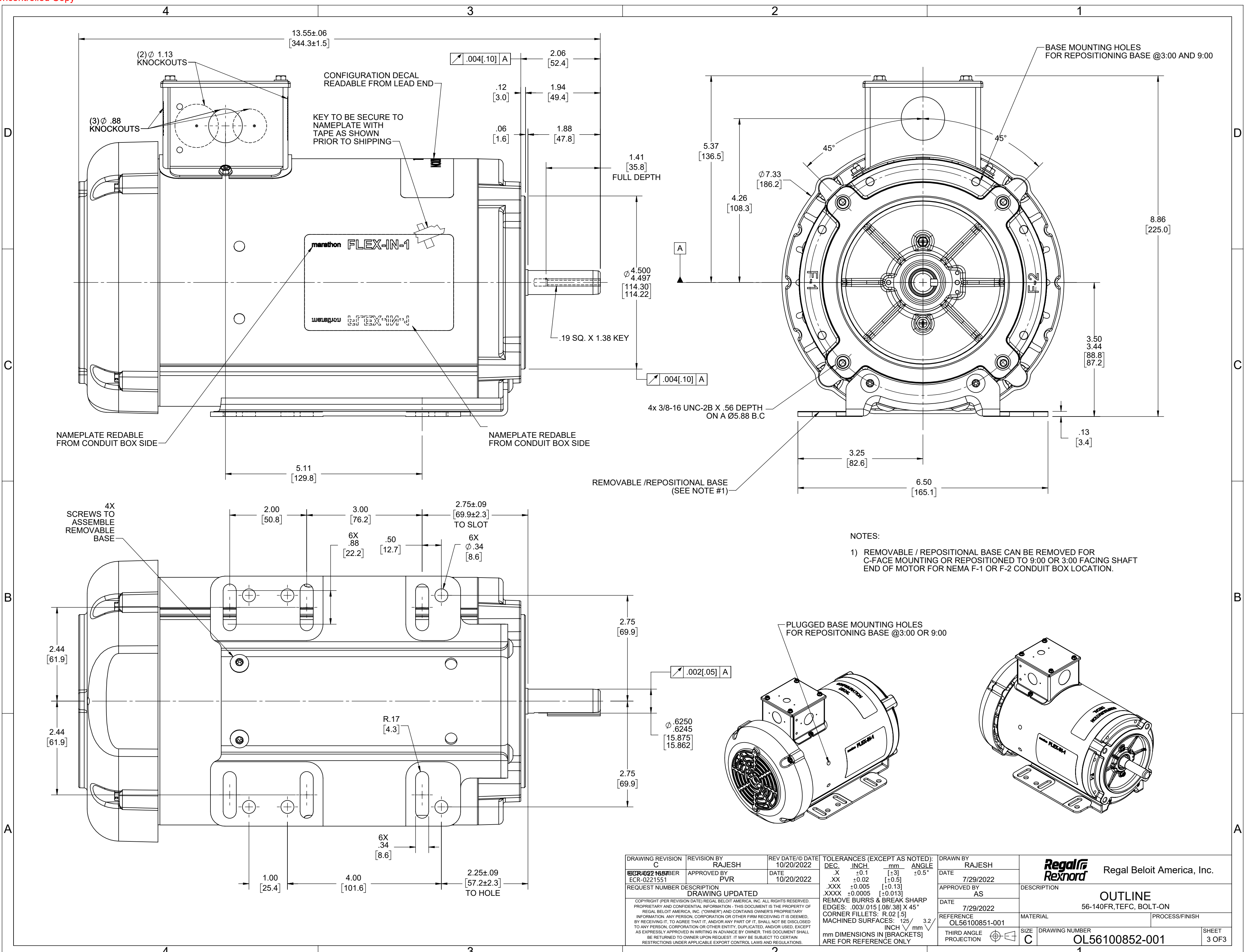
This is an uncontrolled document once printed or downloaded and is subject to change without notice. Date Created:11/30/2022



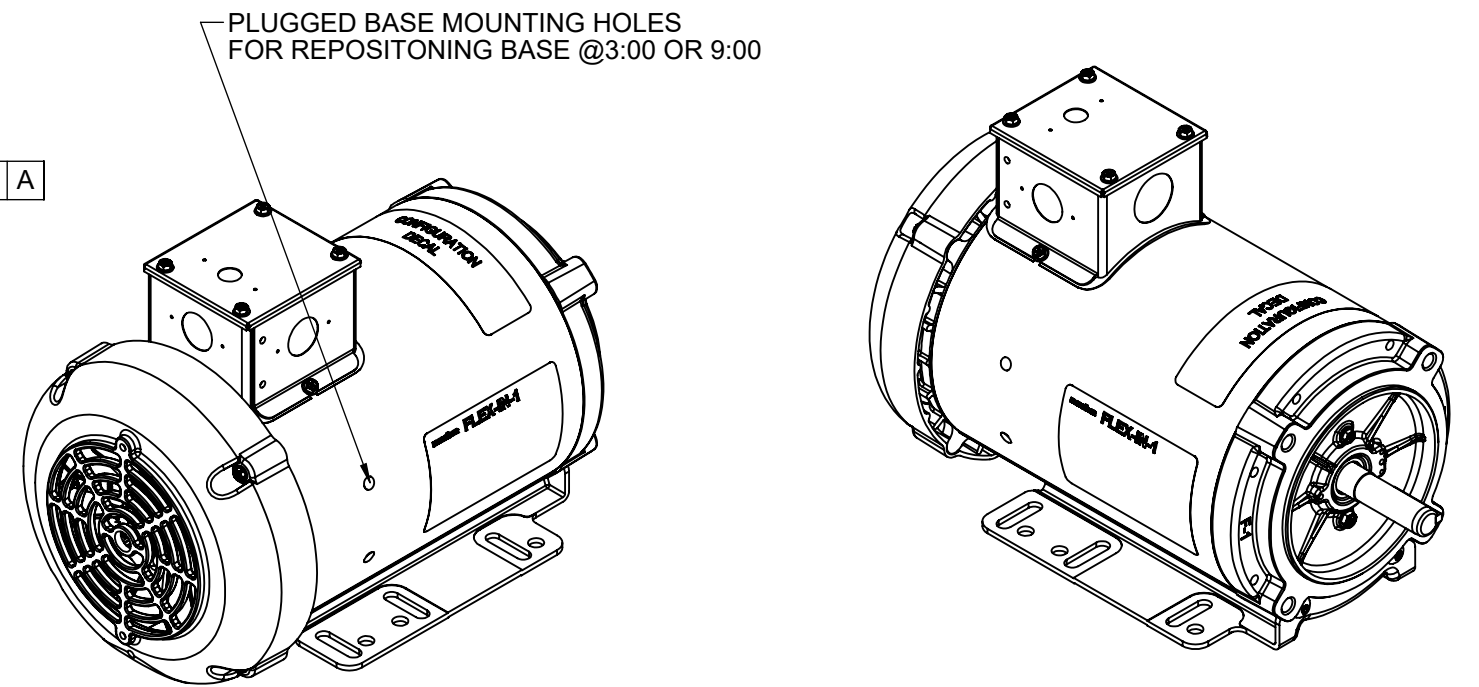




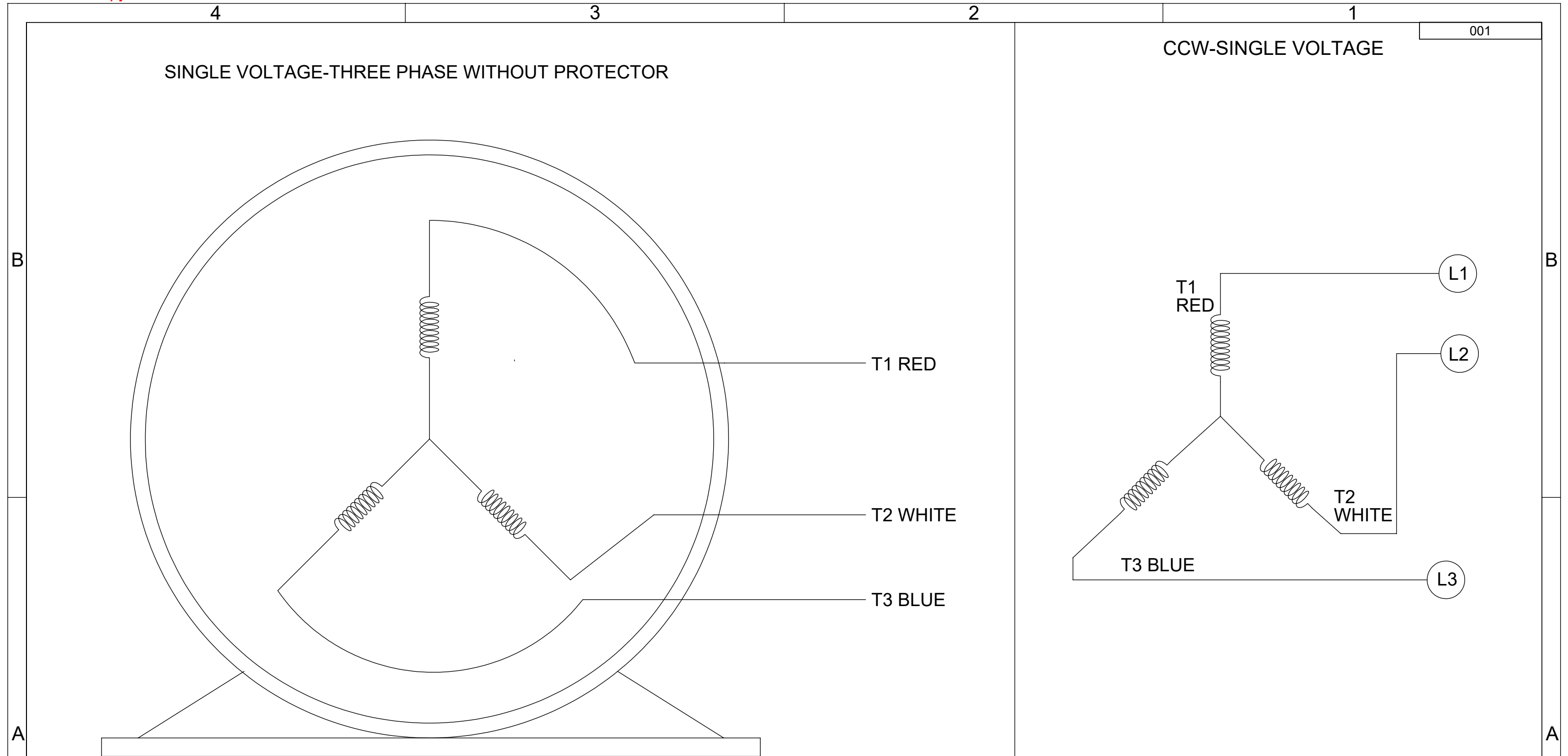
DRAWING REVISION C	REVISION BY RAJESH	REV DATE/@ DATE 10/20/2022	TOLERANCES (EXCEPT AS NOTED):				DRAWN BY RAJESH	Regal Beloit America, Inc.
REQUEST NUMBER REGAL 2022 15637	APPROVED BY PVR	DATE 10/20/2022	DEC.	INCH	mm	ANGLE	DATE 7/29/2022	
REQUEST NUMBER DESCRIPTION DRAWING UPDATED			.X	±0.1	[±3]	±0.5°	APPROVED BY AS	DESCRIPTION <b>OUTLINE</b>
<small>COPYRIGHT (PER REVISION DATE) REGAL BELOIT AMERICA, INC. ALL RIGHTS RESERVED. PROPRIETARY AND CONFIDENTIAL INFORMATION - THIS DOCUMENT IS THE PROPERTY OF REGAL BELOIT AMERICA, INC. ("OWNER") AND CONTAINS OWNER'S PROPRIETARY INFORMATION. ANY PERSON, CORPORATION OR OTHER FIRM RECEIVING IT IS DEEMED, BY RECEIVING IT, TO AGREE THAT IT, AND/OR ANY PART OF IT, SHALL NOT BE DISCLOSED TO ANY PERSON, CORPORATION OR OTHER ENTITY, DUPLICATED, AND/OR USED, EXCEPT AS EXPRESSLY APPROVED IN WRITING IN ADVANCE BY OWNER. THIS DOCUMENT SHALL BE RETURNED TO OWNER UPON REQUEST. IT MAY BE SUBJECT TO CERTAIN RESTRICTIONS UNDER APPLICABLE EXPORT CONTROL LAWS AND REGULATIONS.</small>			.XX	±0.02	[±0.5]		DATE 7/29/2022	MATERIAL 56-140FR,TEFC, BOLT-ON
			.XXX	±0.005	[±0.13]		REFERENCE OL56100851-001	PROCESS/FINISH
			.XXXX	±0.0005	[±0.013]		THIRD ANGLE PROJECTION	DRAWING NUMBER OL56100852-001
			<small>REMOVE BURRS &amp; BREAK SHARP EDGES: .003/.015 [.08/.38] X 45° CORNER FILLETS: R.02 [.5] MACHINED SURFACES: ±.125 /mm 3.2 INCH √ mm</small>				SIZE C	SHEET 2 OF 3



- NOTES:
- 1) REMOVABLE / REPOSITIONAL BASE CAN BE REMOVED FOR C-FACE MOUNTING OR REPOSITIONED TO 9:00 OR 3:00 FACING SHAFT END OF MOTOR FOR NEMA F-1 OR F-2 CONDUIT BOX LOCATION.



DRAWING REVISION C	REVISION BY RAJESH	REV DATE/© DATE 10/20/2022	TOLERANCES (EXCEPT AS NOTED):				DRAWN BY RAJESH	Regal Rexnord Regal Beloit America, Inc.			
REQUEST NUMBER ECR-0221551	APPROVED BY PVR	DATE 10/20/2022	DEC.	INCH	mm	ANGLE	DATE 7/29/2022	DESCRIPTION OUTLINE			
REQUEST NUMBER DESCRIPTION DRAWING UPDATED			.X	±0.1	[±3]	±0.5°	APPROVED BY AS	MATERIAL 56-140FR,TEFC, BOLT-ON			
<small>COPYRIGHT (PER REVISION DATE) REGAL BELOIT AMERICA, INC. ALL RIGHTS RESERVED. PROPRIETARY AND CONFIDENTIAL INFORMATION - THIS DOCUMENT IS THE PROPERTY OF REGAL BELOIT AMERICA, INC. ("OWNER") AND CONTAINS OWNER'S PROPRIETARY INFORMATION. ANY PERSON, CORPORATION OR OTHER FIRM RECEIVING IT IS DEEMED, BY RECEIVING IT, TO AGREE THAT IT, AND/OR ANY PART OF IT, SHALL NOT BE DISCLOSED TO ANY PERSON, CORPORATION OR OTHER ENTITY, DUPLICATED, AND/OR USED, EXCEPT AS EXPRESSLY APPROVED IN WRITING IN ADVANCE BY OWNER. THIS DOCUMENT SHALL BE RETURNED TO OWNER UPON REQUEST. IT MAY BE SUBJECT TO CERTAIN RESTRICTIONS UNDER APPLICABLE EXPORT CONTROL LAWS AND REGULATIONS.</small>			.XXX	±0.005	[±0.13]		DATE 7/29/2022	PROCESS/FINISH			
			.XXXX	±0.0005	[±0.013]		REFERENCE OL56100851-001	SHEET 3 OF 3			
			REMOVE BURRS & BREAK SHARP EDGES: .003/.015 [.08/.38] X 45° CORNER FILLETS: R.02 [.5] MACHINED SURFACES: ±.125 /mm 3.2 INCH √ mm mm DIMENSIONS IN [BRACKETS] ARE FOR REFERENCE ONLY				THIRD ANGLE PROJECTION	SIZE C	DRAWING NUMBER OL56100852-001		



VIEW OF TERMINAL END

- NOTES:
1. TO REVERSE ROTATION, INTERCHANGE ANY TWO LINE CONNECTIONS TO L1, L2, OR L3.
  2. CONNECTION DIAGRAM-NAMEPLATE DD10213-001

DRAWING REVISION B	REVISION BY PRASHANTH	REV DATE/© DATE 06/22/2022	TOLERANCES (EXCEPT AS NOTED): DEC. INCH mm ANGLE .X ±0.1 [±3] ±0.5° .XX ±0.01 [±0.3] .XXX ±0.005 [±0.13] .XXXX ±0.0005 [±0.013]	DRAWN BY SHESHI	Regal Beloit America, Inc.	
REQUEST NUMBER NMR-0213855	APPROVED BY BHARGAVI	DATE 06/22/2022		DATE 03/07/2019		
REQUEST NUMBER DESCRIPTION CHANGED NOTES FROM LOW TO SINGLE VOLTAGE			REMOVE BURRS & BREAK SHARP EDGES: .003/.015 [.08/.38] X 45° CORNER FILLETS: R.02 [.5] MACHINED SURFACES: 125/3.2 INCH/mm	APPROVED BY BHARGAVI	DESCRIPTION CONN DIAGRAM-EXTERNAL	
COPYRIGHT (PER REVISION DATE) REGAL BELOIT AMERICA, INC. ALL RIGHTS RESERVED. PROPRIETARY AND CONFIDENTIAL INFORMATION - THIS DOCUMENT IS THE PROPERTY OF REGAL BELOIT AMERICA, INC. ("OWNER") AND CONTAINS OWNER'S PROPRIETARY INFORMATION. ANY PERSON, CORPORATION OR OTHER FIRM RECEIVING IT IS DEEMED, BY RECEIVING IT, TO AGREE THAT IT, AND/OR ANY PART OF IT, SHALL NOT BE DISCLOSED TO ANY PERSON, CORPORATION OR OTHER ENTITY, DUPLICATED, AND/OR USED, EXCEPT AS EXPRESSLY APPROVED IN WRITING IN ADVANCE BY OWNER. THIS DOCUMENT SHALL BE RETURNED TO OWNER UPON REQUEST. IT MAY BE SUBJECT TO CERTAIN RESTRICTIONS UNDER APPLICABLE EXPORT CONTROL LAWS AND REGULATIONS.			THIRD ANGLE PROJECTION	REFERENCE CDTS139	MATERIAL PROCESS/FINISH	
			mm DIMENSIONS IN [BRACKETS] ARE FOR REFERENCE ONLY	SIZE B	DRAWING NUMBER CDTS141	SHEET 1 OF 1