

# PRODUCT INFORMATION PACKET

Model No: 056T11D15533

Catalog No: FX12BK005

FLEX-IN-1™ General Purpose Motor, 0.50 HP, 3 Ph, 60 Hz, 208-230/460 V, 1200 RPM, 56HC Frame, DP



Regal and Marathon are trademarks of Regal Rexnord Corporation or one of its affiliated companies.

©2022 Regal Rexnord Corporation, All Rights Reserved. MC017097E



### Nameplate Specifications

Output HP	<b>0.50 Hp</b>	Output KW	<b>0.37 kW</b>
Frequency	<b>60 Hz</b>	Voltage	<b>208-230/460 V</b>
Current	<b>2.1-2.2/1.1 A</b>	Speed	<b>1140 rpm</b>
Service Factor	<b>1.25</b>	Phase	<b>3</b>
Efficiency	<b>81.7 %</b>	Power Factor	<b>57</b>
Duty	<b>Continuous</b>	Insulation Class	<b>F</b>
Design Code	<b>B</b>	KVA Code	<b>L</b>
Frame	<b>56HC</b>	Enclosure	<b>Drip Proof</b>
Thermal Protection	<b>No Protection</b>	Ambient Temperature	<b>40 °C</b>
Drive End Bearing Size	<b>6203</b>	Opp Drive End Bearing Size	<b>6203</b>
UL	<b>Recognized</b>	CSA	<b>Y</b>
CE	<b>Y</b>	IP Code	<b>22</b>
Number of Speeds	<b>1</b>		

### Technical Specifications

Electrical Type	<b>Squirrel Cage Inverter Rated</b>	Starting Method	<b>Line Or Inverter</b>
Poles	<b>6</b>	Rotation	<b>Reversible</b>
Resistance Main	<b>0 Ohms</b>	Mounting	<b>Bolt-on Base</b>
Motor Orientation	<b>Horizontal</b>	Drive End Bearing	<b>Ball</b>
Opp Drive End Bearing	<b>Ball</b>	Frame Material	<b>Rolled Steel</b>
Shaft Type	<b>NEMA 56</b>	Shaft Diameter	<b>0.625 in</b>
Assembly/Box Mounting	<b>F1 ONLY</b>	Inverter Load	<b>CONSTANT 2:1</b>
Connection Drawing	<b>CDTD127</b>	Outline Drawing	<b>OL56100855-001</b>

This is an uncontrolled document once printed or downloaded and is subject to change without notice. Date Created:11/30/2022

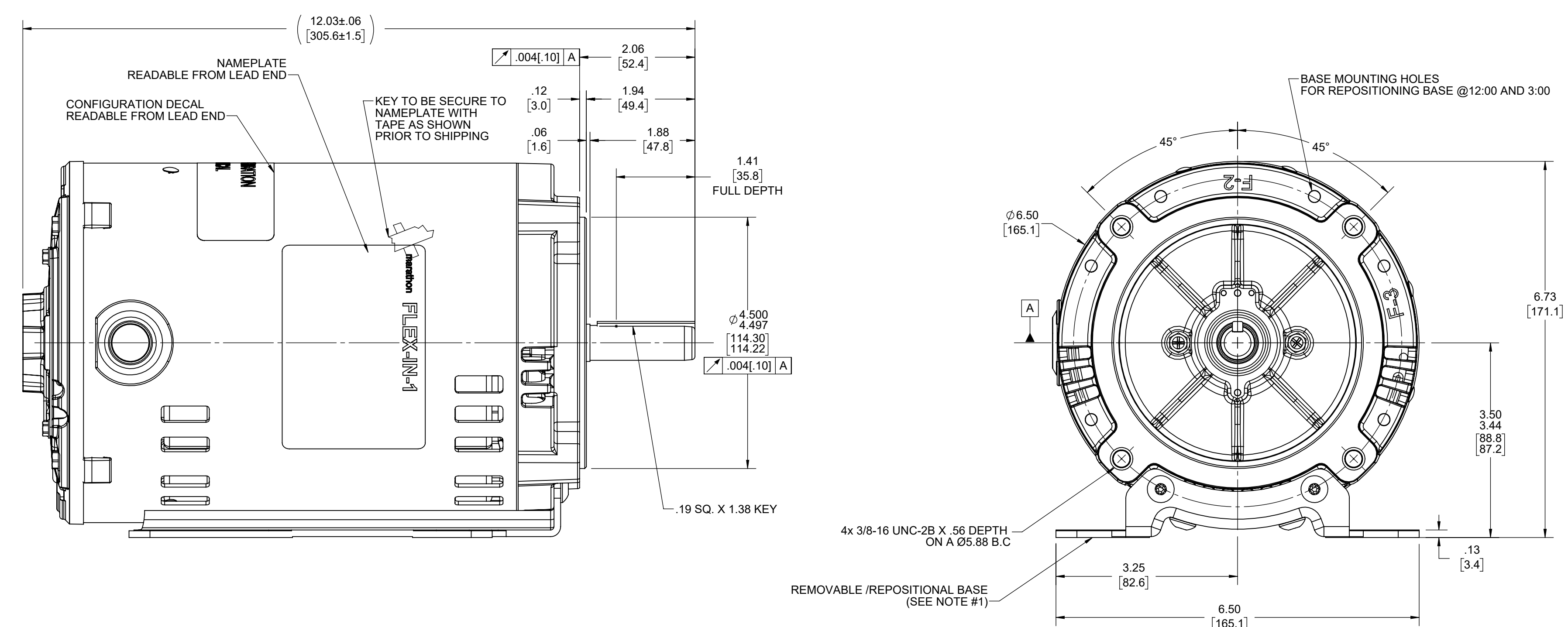
4 3 2 1

D

C

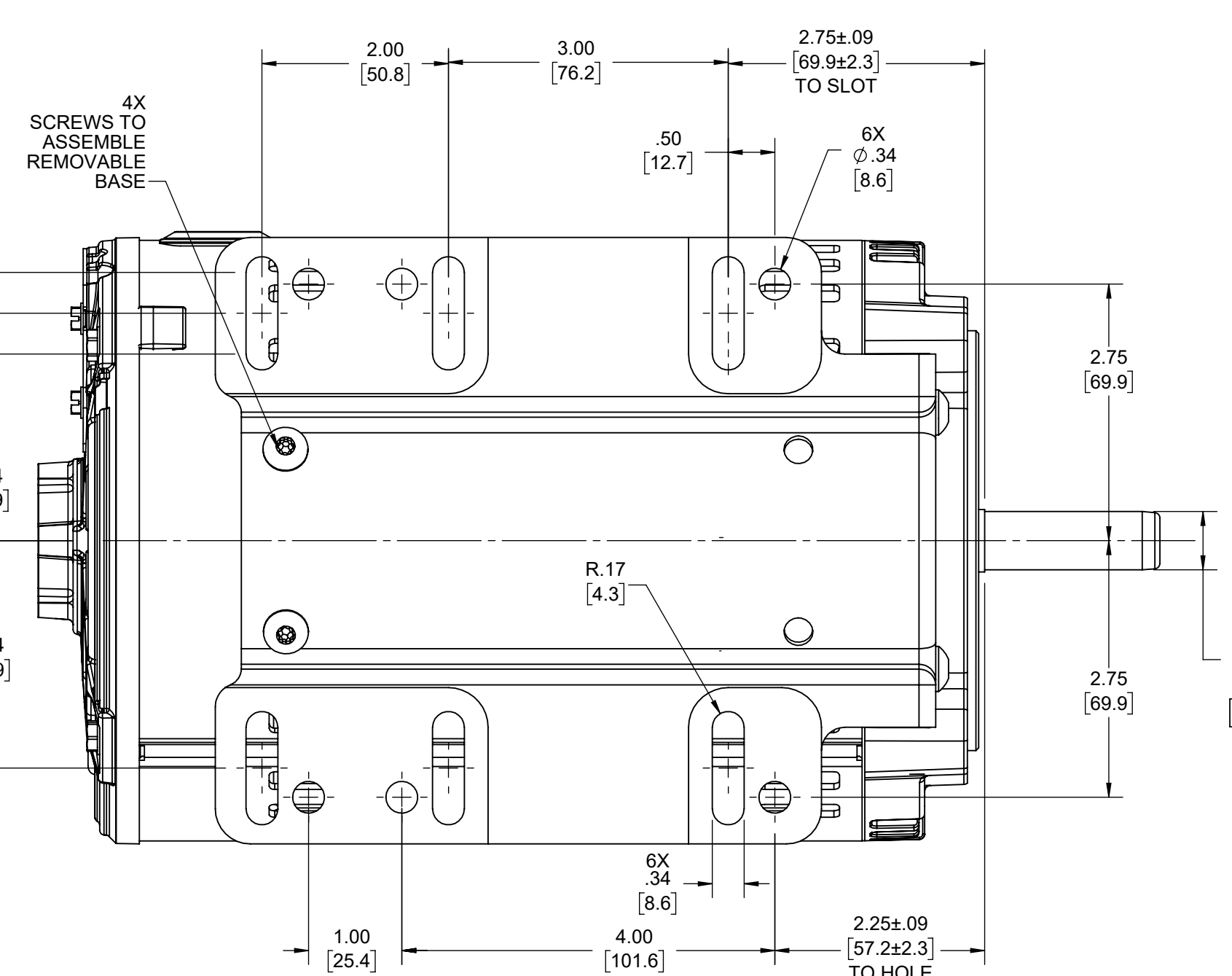
B

A

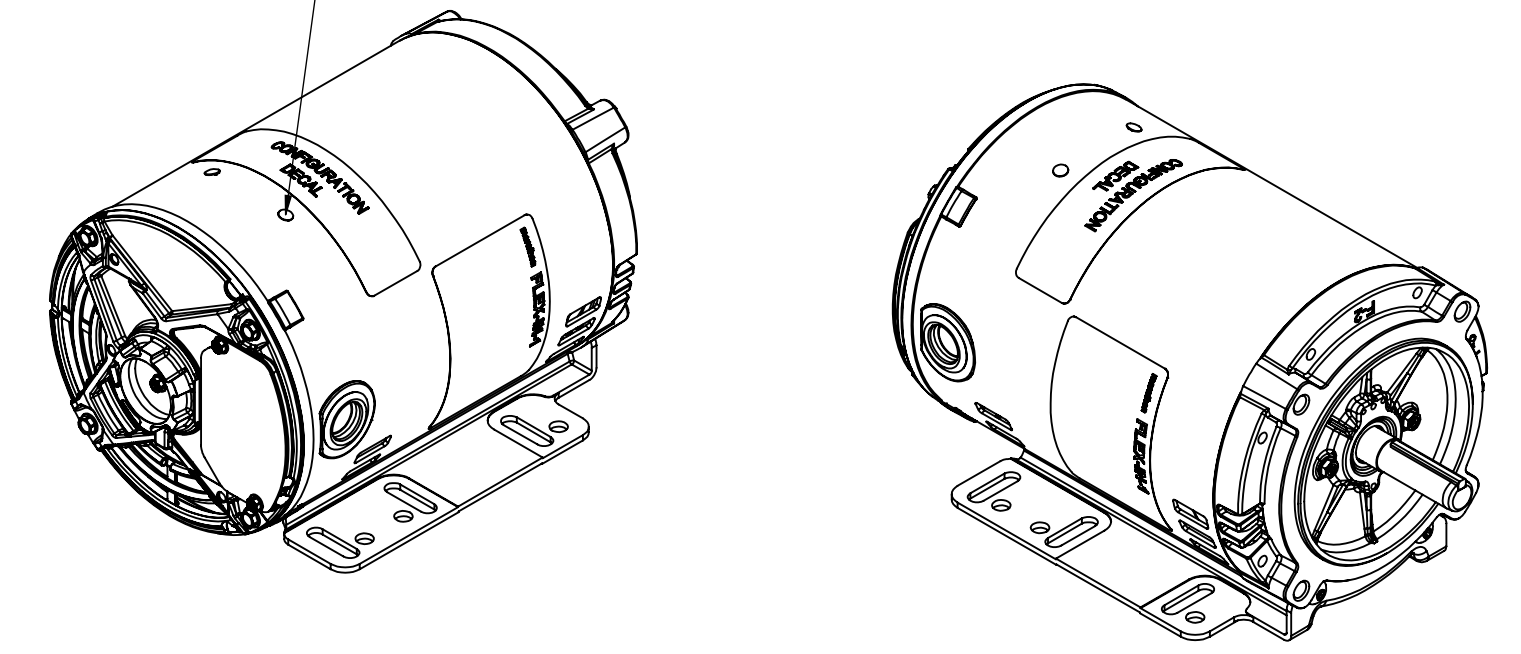


NOTES:

- 1) REMOVABLE / REPOSITIONAL BASE CAN BE REMOVED FOR C-FACE MOUNTING OR REPOSITIONED TO 12:00 OR 3:00 FACING SHAFT END OF MOTOR FOR NEMA F-2 OR F-3 CONDUIT BOX LOCATION.

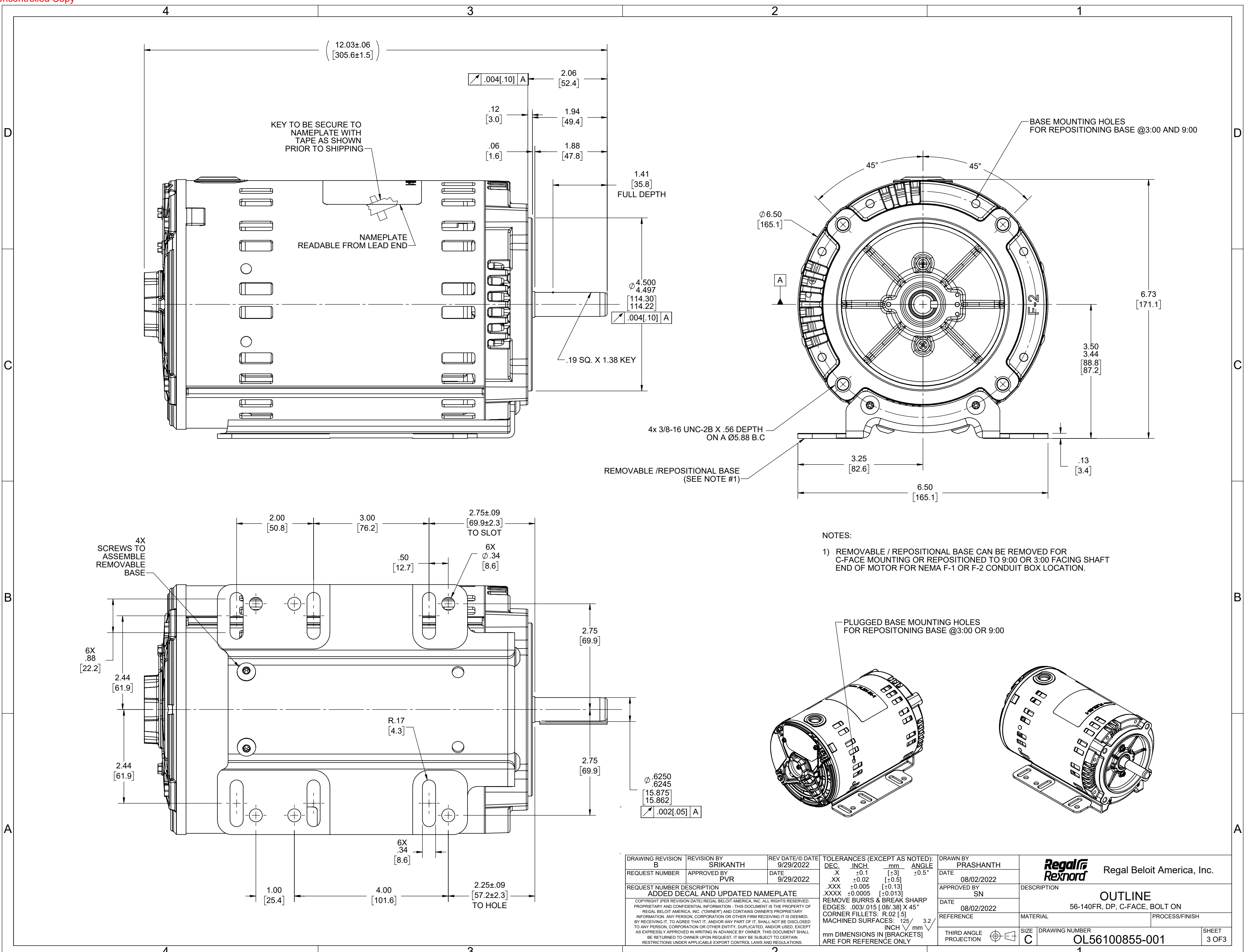


PLUGGED BASE MOUNTING HOLES FOR REPOSITIONING BASE @12:00 OR 3:00



DRAWING REVISION B	REVISION BY SRIKANTH	REV DATE/© DATE 9/29/2022	TOLERANCES (EXCEPT AS NOTED): DEC. INCH mm ANGLE				DRAWN BY PRASHANTH	Regal Beloit America, Inc.
REQUEST NUMBER	APPROVED BY PVR	DATE 9/29/2022	.X ±0.1 [±3]	.XX ±0.02 [±0.5]	.XXX ±0.005 [±0.13]	DATE 08/02/2022	DESCRIPTION	
REQUEST NUMBER DESCRIPTION ADDED DECAL AND UPDATED NAMEPLATE			.XXX ±0.005 [±0.13]	.XXXX ±0.0005 [±0.013]	APPROVED BY SN		OUTLINE 56-140FR, DP, C-FACE, BOLT ON	
COPYRIGHT (PER REVISION DATE) REGAL BELOIT AMERICA, INC. ALL RIGHTS RESERVED. PROPRIETARY AND CONFIDENTIAL INFORMATION - THIS DOCUMENT IS THE PROPERTY OF REGAL BELOIT AMERICA, INC. ("OWNER") AND CONTAINS OWNER'S PROPRIETARY INFORMATION. ANY PERSON, CORPORATION OR OTHER FIRM RECEIVING IT IS DEEMED, BY RECEIVING IT, TO AGREE THAT IT, AND/OR ANY PART OF IT, SHALL NOT BE DISCLOSED TO ANY PERSON, CORPORATION OR OTHER ENTITY, DUPLICATED, AND/OR USED, EXCEPT AS EXPRESSLY APPROVED IN WRITING IN ADVANCE BY OWNER. THIS DOCUMENT SHALL BE RETURNED TO OWNER UPON REQUEST. IT MAY BE SUBJECT TO CERTAIN RESTRICTIONS UNDER APPLICABLE EXPORT CONTROL LAWS AND REGULATIONS.			REMOVE BURRS & BREAK SHARP EDGES: .003/.015 [.08/.38] X 45° CORNER FILLETS: R.02 [5] MACHINED SURFACES: .125 / mm 3.2 / INCH		DATE 08/02/2022	MATERIAL		
			mm DIMENSIONS IN [BRACKETS] ARE FOR REFERENCE ONLY		THIRD ANGLE PROJECTION	REFERENCE	PROCESS/FINISH	
					SIZE C	DRAWING NUMBER OL56100855-001	SHEET 1 OF 3	





DRAWING REVISION B	REVISION BY SRIKANTH	REV DATE/Ø DATE 9/29/2022	TOLERANCES (EXCEPT AS NOTED): DEC. INCH mm ANGLE	DRAWN BY PRASHANTH	 Regal Beloit America, Inc.
REQUEST NUMBER	APPROVED BY PVR	DATE 9/29/2022	.X ±0.1 [±3]	DATE 08/02/2022	
REQUEST NUMBER DESCRIPTION ADDED DECAL AND UPDATED NAMEPLATE			.XX ±0.02 [±0.5]	APPROVED BY SN	DESCRIPTION OUTLINE
COPYRIGHT (PER REVISION DATE) REGAL BELOIT AMERICA, INC. ALL RIGHTS RESERVED. PROPRIETARY AND CONFIDENTIAL INFORMATION - THIS DOCUMENT IS THE PROPERTY OF REGAL BELOIT AMERICA, INC. ("OWNER") AND CONTAINS OWNER'S PROPRIETARY INFORMATION. ANY PERSON, CORPORATION OR OTHER FIRM RECEIVING IT IS DEEMED, BY RECEIVING IT, TO AGREE THAT IT, AND/OR ANY PART OF IT, SHALL NOT BE DISCLOSED TO ANY PERSON, CORPORATION OR OTHER ENTITY, DUPLICATED, AND/OR USED, EXCEPT AS EXPRESSLY APPROVED IN WRITING IN ADVANCE BY OWNER. THIS DOCUMENT SHALL BE RETURNED TO OWNER UPON REQUEST. IT MAY BE SUBJECT TO CERTAIN RESTRICTIONS UNDER APPLICABLE EXPORT CONTROL LAWS AND REGULATIONS.			.XXX ±0.005 [±0.13]	DATE 08/02/2022	56-140FR, DP, C-FACE, BOLT ON
			.XXXX ±0.0005 [±0.013]	REFERENCE	MATERIAL
			REMOVE BURRS & BREAK SHARP EDGES: .003/.015 [Ø8/.38] X 45°	THIRD ANGLE PROJECTION	SIZE C
			CORNER FILLETS: R.02 [Ø5]	SIZE C	DRAWING NUMBER OL56100855-001
			MACHINED SURFACES: ±.125 / mm	SIZE C	SHEET 3 OF 3
			mm DIMENSIONS IN [BRACKETS] ARE FOR REFERENCE ONLY	SIZE C	

4

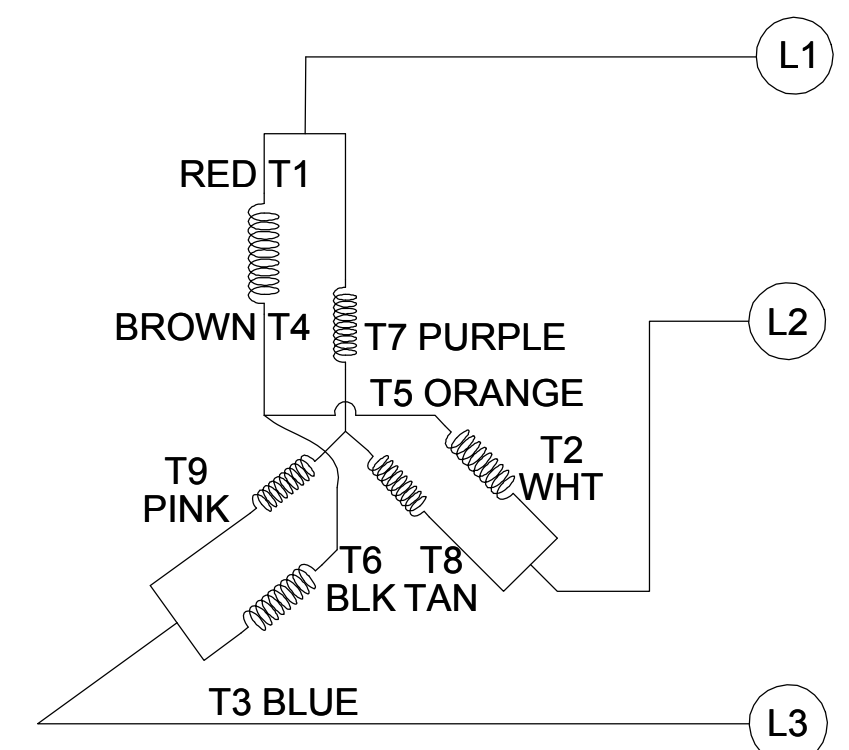
3

2

1

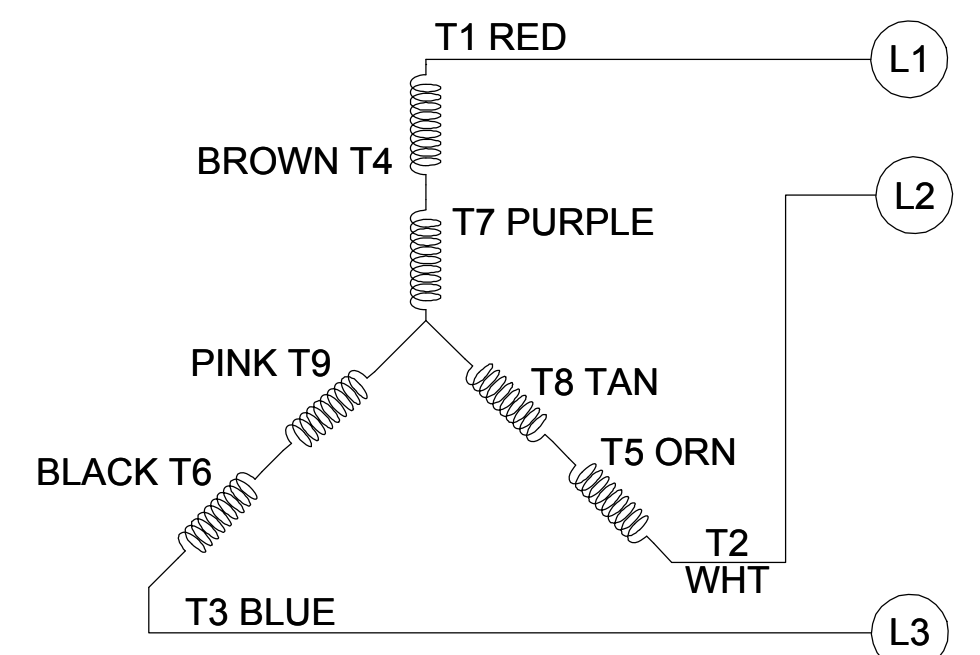
001

CCW LOW VOLTAGE



002

CCW HIGH VOLTAGE

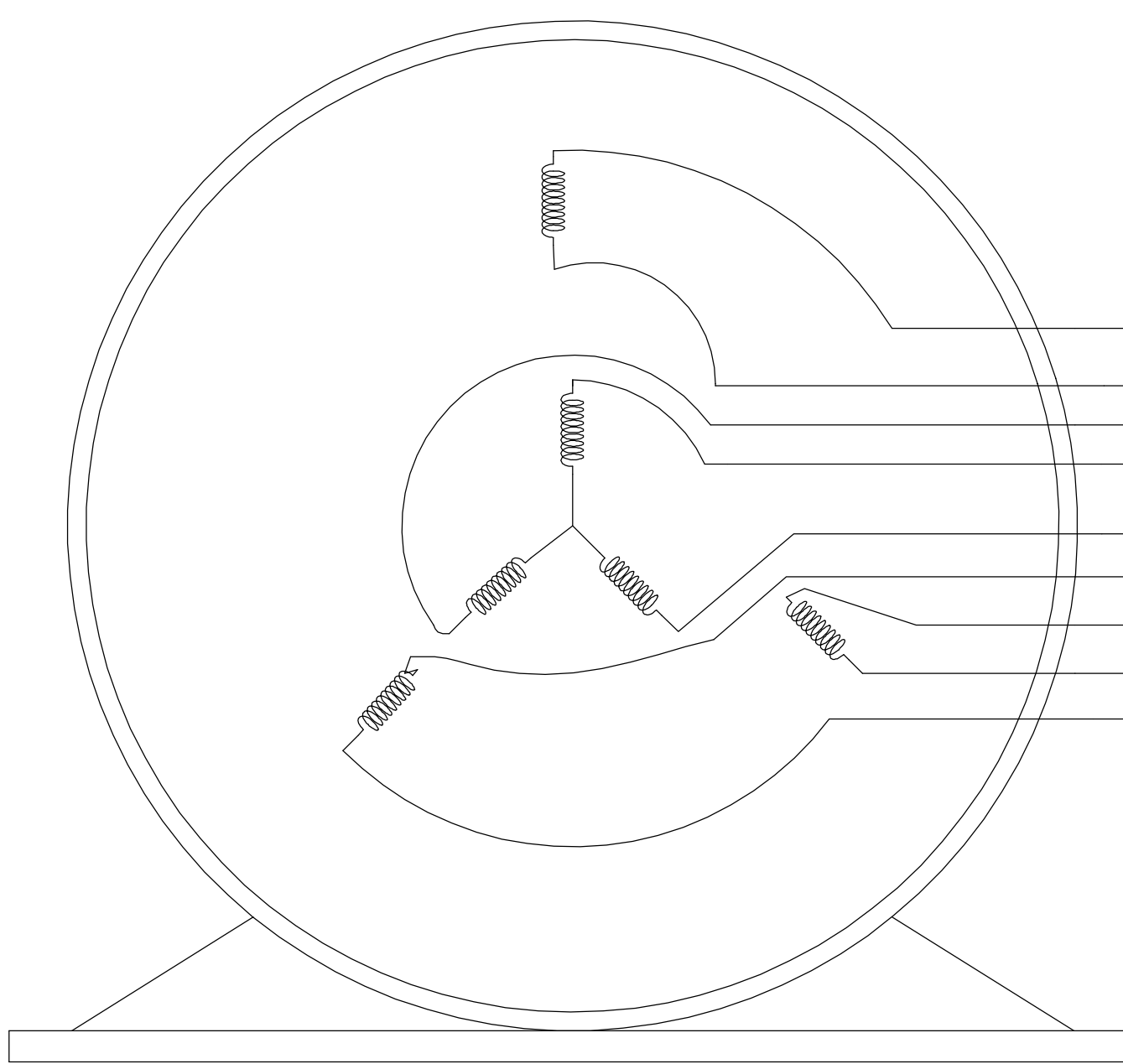


B

B

A

A



- T1 RED
- T4 BROWN
- T9 PINK
- T7 PURPLE
- T8 TAN
- T6 BLACK
- T5 ORANGE
- T2 WHITE
- T3 BLUE

VIEW OF TERMINAL END

NOTE:

1. TO REVERSE ROTATION, INTERCHANGE ANY TWO LINE CONNECTIONS TO L1, L2, OR L3.
2. CONNECTION DIAGRAM-NAMEPLATE DD10123-001 - CCWLE DD10199-001 - CWLE

DRAWING REVISION D	REVISION BY SHESHI	DATE 01/11/2019
ECO ECO-0159881	APPROVED BY CD	DATE 01/11/2019
ECO DESCRIPTION ADDED DD10199-001		
<small>COPYRIGHT REGAL BELOIT AMERICA, INC. ALL RIGHTS RESERVED. PROPRIETARY AND CONFIDENTIAL INFORMATION - THIS DOCUMENT IS THE PROPERTY OF REGAL BELOIT AMERICA, INC. ("OWNER") AND CONTAINS OWNER'S PROPRIETARY INFORMATION. ANY PERSON, CORPORATION OR OTHER FIRM RECEIVING IT IS DEEMED, BY RECEIVING IT, TO AGREE THAT IT, AND/OR ANY PART OF IT, SHALL NOT BE DISCLOSED TO ANY PERSON, CORPORATION OR OTHER ENTITY, DUPLICATED, AND/OR USED, EXCEPT AS EXPRESSLY APPROVED IN WRITING IN ADVANCE BY OWNER. THIS DOCUMENT SHALL BE RETURNED TO OWNER UPON REQUEST. IT MAY BE SUBJECT TO CERTAIN RESTRICTIONS UNDER APPLICABLE EXPORT CONTROL LAWS AND REGULATIONS.</small>		

TOLERANCES UNLESS OTHERWISE SPECIFIED:			
DEC.	INCH	mm	ANGLE
.X	±0.1	[±2.5]	±0.5°
.XX	±0.01	[±0.25]	
.XXX	±0.005	[±0.127]	
.XXXX	±0.0005	[±0.0127]	
REMOVE BURRS & BREAK SHARP EDGES: .003/.015 [.076/.381] CORNER FILLETS: .02 [.51] MACHINED SURFACES: 125 INCH 3.2 mm SHOWN IN [BRACKETS]			

DRAWN BY G. RODRIGUEZ	DATE 12-01-2017
APPROVED BY J. A. MORENO	DATE 12-01-2017
REFERENCE CDTD103	
THIRD ANGLE PROJECTION	

Regal Beloit America, Inc.	
DESCRIPTION CONN DIAGRAM-EXTERNAL	
MATERIAL	PROCESS/FINISH
SIZE B	DRAWING NUMBER CDTD127
	SHEET 1 OF 1

4

3

2

1