

PRODUCT INFORMATION PACKET

marathon[®]
Motors

Model No: 056T34F15668

Catalog No: FX12FK001

FLEX-IN-1™ General Purpose Motor, 0.50 HP, 3 Ph, 60 Hz, 575 V, 3600 RPM, 56C Frame, TEFC



Regal and Marathon are trademarks of Regal Rexnord Corporation or one of its affiliated companies.
©2022 Regal Rexnord Corporation, All Rights Reserved. MC017097E

RegalRexnord



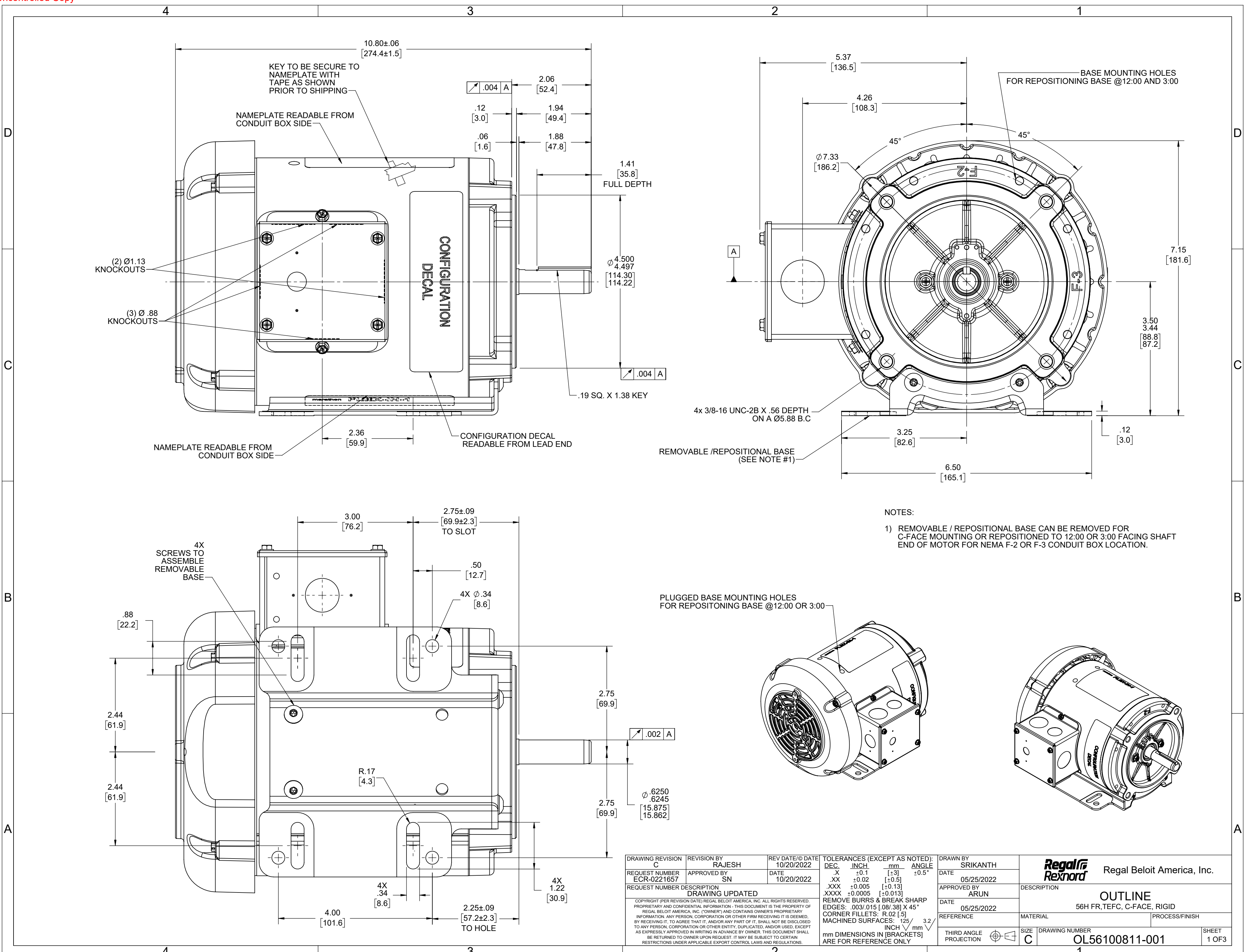
Nameplate Specifications

| | | | |
|------------------------|----------------------|----------------------------|------------------------------------|
| Output HP | 0.50 Hp | Output KW | 0.37 kW |
| Frequency | 60 Hz | Voltage | 575 V |
| Current | 0.90 A | Speed | 3450 rpm |
| Service Factor | 1.15 | Phase | 3 |
| Efficiency | 66 % | Power Factor | 69.7 |
| Duty | Continuous | Insulation Class | F |
| Design Code | B | KVA Code | P |
| Frame | 56C | Enclosure | Totally Enclosed Fan Cooled |
| Thermal Protection | No Protection | Ambient Temperature | 40 °C |
| Drive End Bearing Size | 6203 | Opp Drive End Bearing Size | 6203 |
| UL | Recognized | CSA | Y |
| CE | Y | IP Code | 43 |
| Number of Speeds | 1 | | |

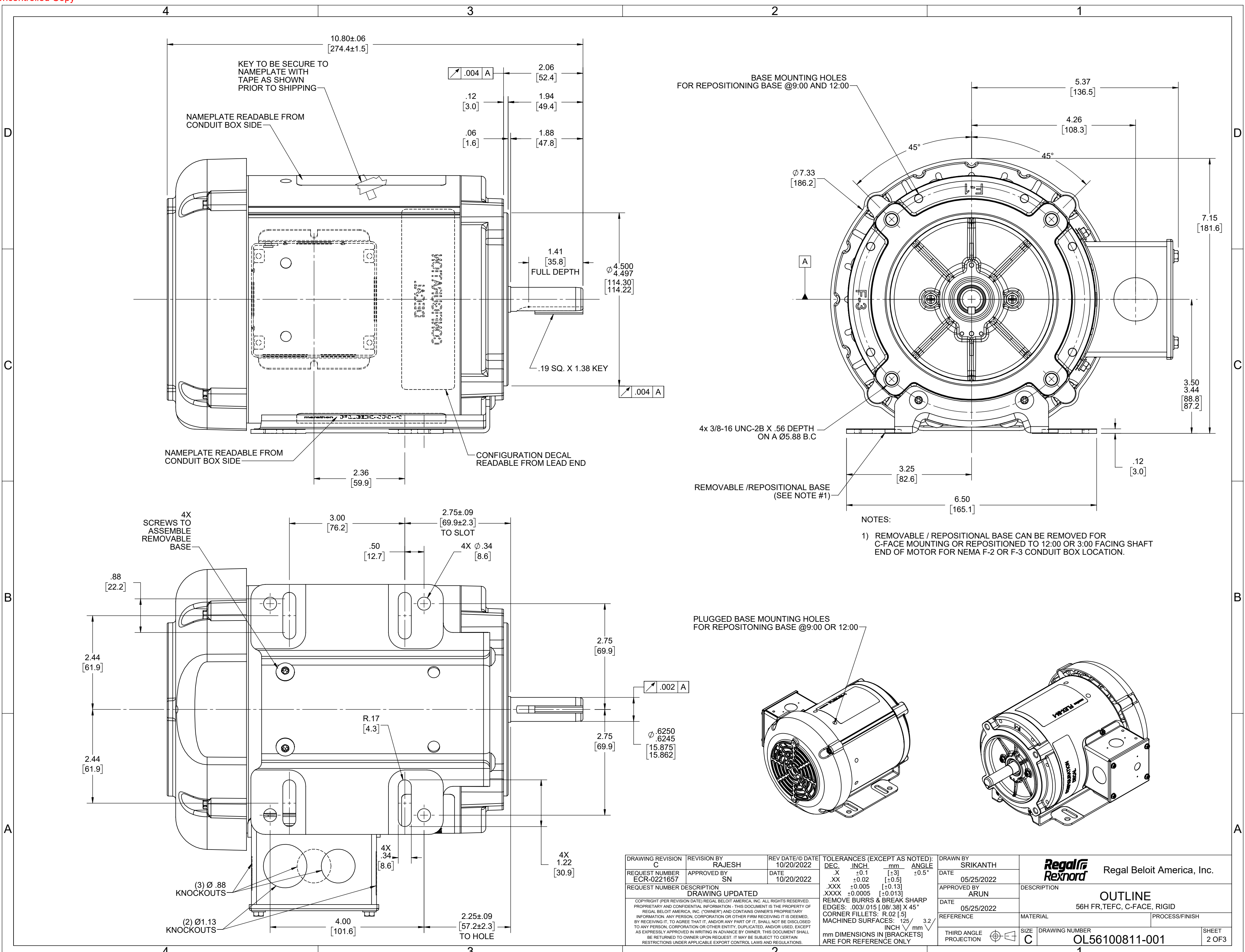
Technical Specifications

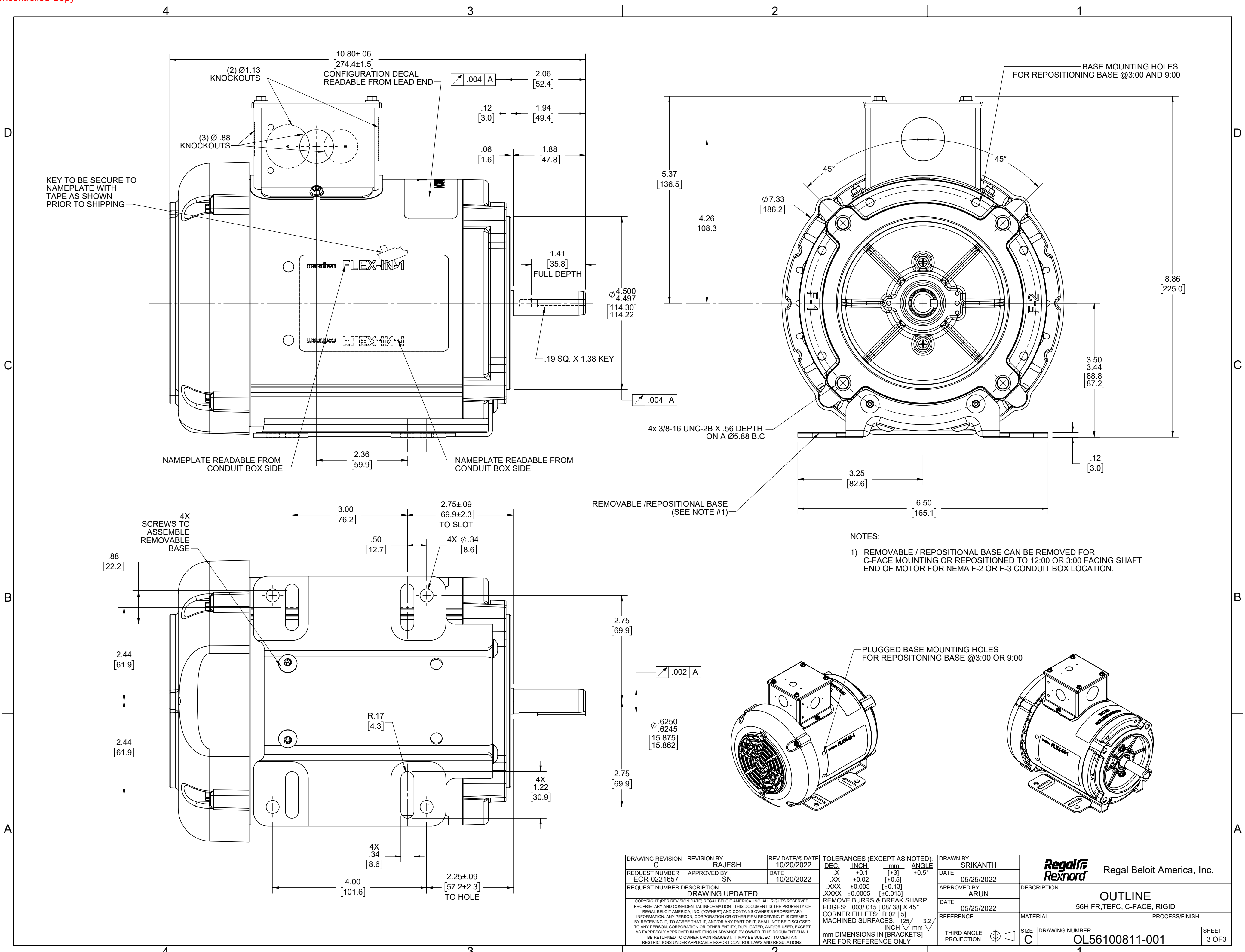
| | | | |
|-----------------------|-------------------------------------|-------------------|-------------------------|
| Electrical Type | Squirrel Cage Inverter Rated | Starting Method | Line Or Inverter |
| Poles | 2 | Rotation | Reversible |
| Resistance Main | 8.34 Ohms | Mounting | Bolt-on Base |
| Motor Orientation | Horizontal Or Up Or Down | Drive End Bearing | Ball |
| Opp Drive End Bearing | Ball | Frame Material | Rolled Steel |
| Shaft Type | NEMA 56 | Shaft Diameter | 0.625 in |
| Assembly/Box Mounting | F1 ONLY | Inverter Load | CONSTANT 10:1 |
| Connection Drawing | CDTS141 | Outline Drawing | OL56100811-001 |

This is an uncontrolled document once printed or downloaded and is subject to change without notice. Date Created:11/30/2022



| | | | | | | | | | |
|---|-----------------------|-------------------------------|--|-----------|----------------------------------|-----------------|----------------------|--|----------------|
| DRAWING REVISION C | REVISION BY RAJESH | REV DATE/Ø DATE 10/20/2022 | TOLERANCES (EXCEPT AS NOTED): | | | | DRAWN BY SRIKANTH | Regal Rexnord Regal Beloit America, Inc. | |
| REQUEST NUMBER ECR-0221657 | APPROVED BY SN | DATE 10/20/2022 | DEC. | INCH | mm | ANGLE | DATE 05/25/2022 | DESCRIPTION | |
| REQUEST NUMBER DESCRIPTION DRAWING UPDATED | | | .X | ±0.1 | [±3] | ±0.5° | APPROVED BY ARUN | OUTLINE | |
| <small>COPYRIGHT (PER REVISION DATE) REGAL BELOIT AMERICA, INC. ALL RIGHTS RESERVED. PROPRIETARY AND CONFIDENTIAL INFORMATION - THIS DOCUMENT IS THE PROPERTY OF REGAL BELOIT AMERICA, INC. ("OWNER") AND CONTAINS OWNER'S PROPRIETARY INFORMATION. ANY PERSON, CORPORATION OR OTHER FIRM RECEIVING IT IS DEEMED, BY RECEIVING IT, TO AGREE THAT IT, AND/OR ANY PART OF IT, SHALL NOT BE DISCLOSED TO ANY PERSON, CORPORATION OR OTHER ENTITY, DUPLICATED, AND/OR USED, EXCEPT AS EXPRESSLY APPROVED IN WRITING IN ADVANCE BY OWNER. THIS DOCUMENT SHALL BE RETURNED TO OWNER UPON REQUEST. IT MAY BE SUBJECT TO CERTAIN RESTRICTIONS UNDER APPLICABLE EXPORT CONTROL LAWS AND REGULATIONS.</small> | | | .XX | ±0.02 | [±0.5] | | DATE 05/25/2022 | 56H FR,TEFC, C-FACE, RIGID | |
| | | | .XXX | ±0.005 | [±0.13] | | REFERENCE | MATERIAL | PROCESS/FINISH |
| | | | .XXXX | ±0.0005 | [±0.013] | | | | |
| | | | REMOVE BURRS & BREAK SHARP EDGES: .003/.015 [.08/.38] X 45° CORNER FILLETS: R.02 [.5] MACHINED SURFACES: .125 /mm 3.2 INCH /mm mm DIMENSIONS IN [BRACKETS] ARE FOR REFERENCE ONLY | | | | | | |
| | | | THIRD ANGLE PROJECTION | SIZE C | DRAWING NUMBER OL56100811-001 | SHEET 1 OF 3 | | | |





KEY TO BE SECURE TO NAMEPLATE WITH TAPE AS SHOWN PRIOR TO SHIPPING

NAMEPLATE READABLE FROM CONDUIT BOX SIDE

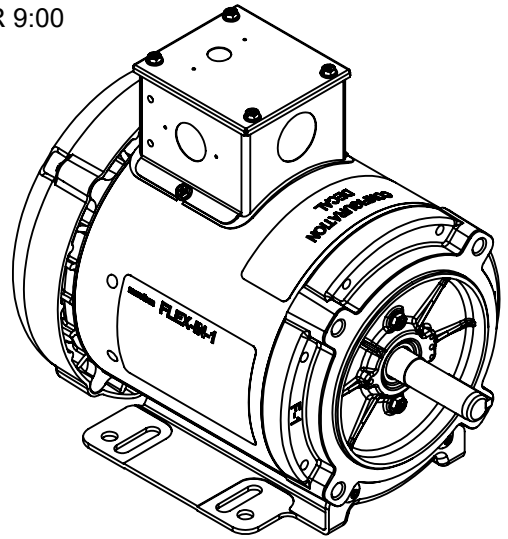
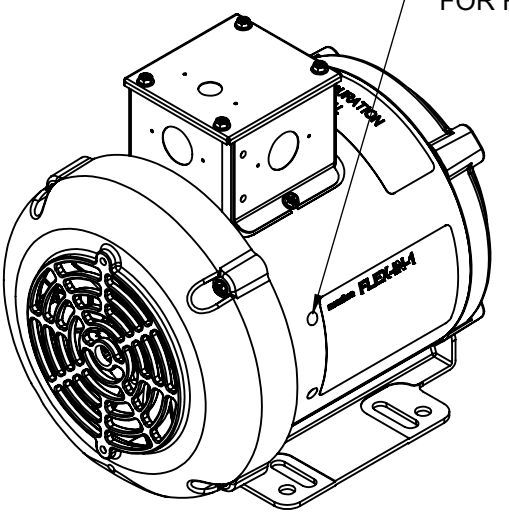
NAMEPLATE READABLE FROM CONDUIT BOX SIDE

REMOVABLE / REPOSITIONAL BASE (SEE NOTE #1)

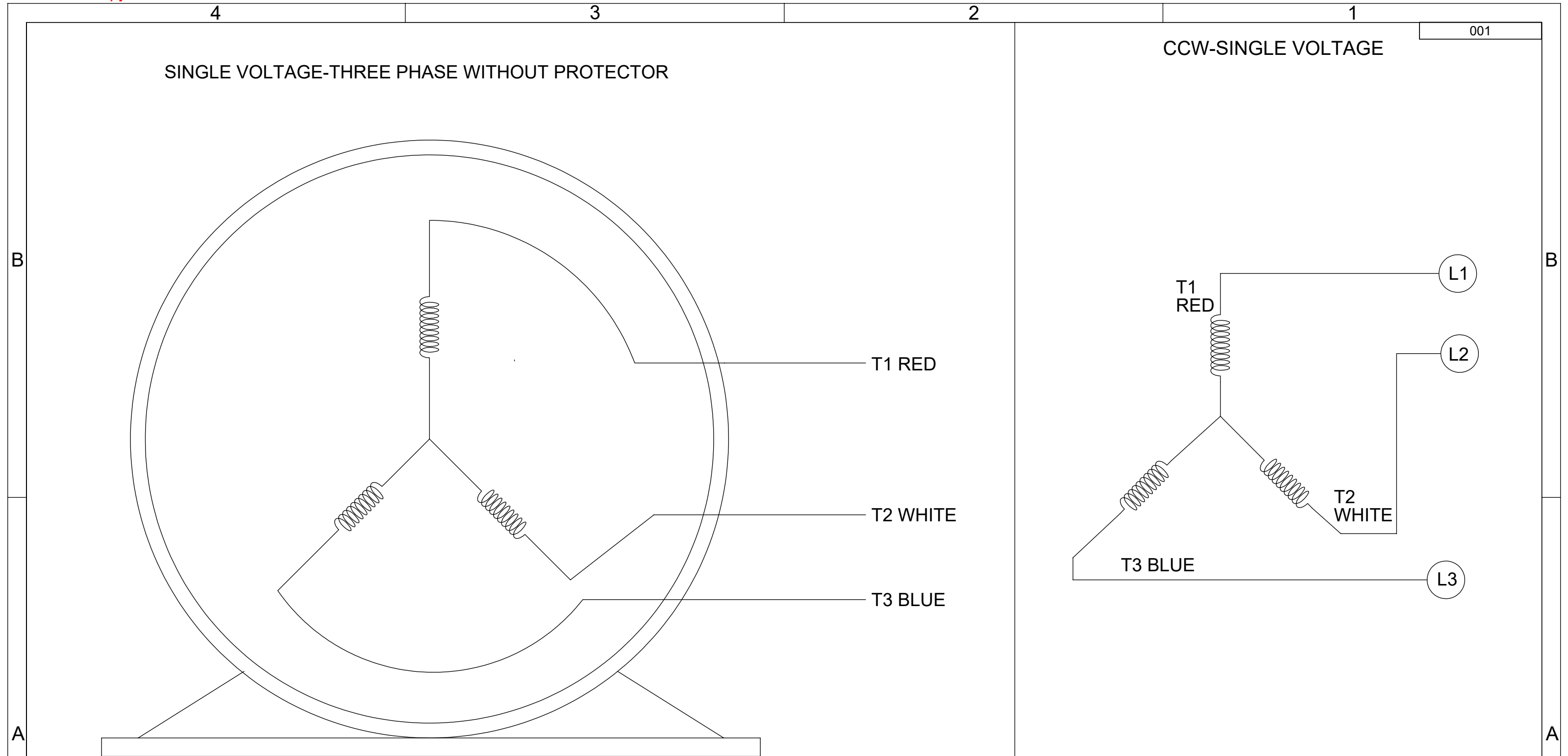
NOTES:

- 1) REMOVABLE / REPOSITIONAL BASE CAN BE REMOVED FOR C-FACE MOUNTING OR REPOSITIONED TO 12:00 OR 3:00 FACING SHAFT END OF MOTOR FOR NEMA F-2 OR F-3 CONDUIT BOX LOCATION.

PLUGGED BASE MOUNTING HOLES FOR REPOSITIONING BASE @3:00 OR 9:00



| | | | | | | | | | |
|---|-----------------------|-------------------------------|--|-----------|----------------------------------|-----------------|----------------------|--|----------------|
| DRAWING REVISION C | REVISION BY RAJESH | REV DATE/© DATE 10/20/2022 | TOLERANCES (EXCEPT AS NOTED): | | | | DRAWN BY SRIKANTH | Regal Rexnord Regal Beloit America, Inc. | |
| REQUEST NUMBER ECR-0221657 | APPROVED BY SN | DATE 10/20/2022 | DEC. | INCH | mm | ANGLE | DATE 05/25/2022 | DESCRIPTION | |
| REQUEST NUMBER DESCRIPTION DRAWING UPDATED | | | .X | ±0.1 | [±3] | ±0.5° | APPROVED BY ARUN | OUTLINE | |
| <small>COPYRIGHT (PER REVISION DATE) REGAL BELOIT AMERICA, INC. ALL RIGHTS RESERVED. PROPRIETARY AND CONFIDENTIAL INFORMATION - THIS DOCUMENT IS THE PROPERTY OF REGAL BELOIT AMERICA, INC. ("OWNER") AND CONTAINS OWNER'S PROPRIETARY INFORMATION. ANY PERSON, CORPORATION OR OTHER FIRM RECEIVING IT IS DEEMED, BY RECEIVING IT, TO AGREE THAT IT, AND/OR ANY PART OF IT, SHALL NOT BE DISCLOSED TO ANY PERSON, CORPORATION OR OTHER ENTITY, DUPLICATED, AND/OR USED, EXCEPT AS EXPRESSLY APPROVED IN WRITING IN ADVANCE BY OWNER. THIS DOCUMENT SHALL BE RETURNED TO OWNER UPON REQUEST. IT MAY BE SUBJECT TO CERTAIN RESTRICTIONS UNDER APPLICABLE EXPORT CONTROL LAWS AND REGULATIONS.</small> | | | .XX | ±0.02 | [±0.5] | | DATE 05/25/2022 | 56H FR,TEFC, C-FACE, RIGID | |
| | | | .XXX | ±0.005 | [±0.13] | | REFERENCE | MATERIAL | PROCESS/FINISH |
| | | | .XXXX | ±0.0005 | [±0.013] | | | | |
| | | | <small>REMOVE BURRS & BREAK SHARP EDGES: .003/.015 [.08/.38] X 45° CORNER FILLETS: R.02 [.5] MACHINED SURFACES: .125/ 3.2 INCH/mm mm DIMENSIONS IN [BRACKETS] ARE FOR REFERENCE ONLY</small> | | | | | | |
| | | | THIRD ANGLE PROJECTION | SIZE C | DRAWING NUMBER OL56100811-001 | SHEET 3 OF 3 | | | |



VIEW OF TERMINAL END

- NOTES:
1. TO REVERSE ROTATION, INTERCHANGE ANY TWO LINE CONNECTIONS TO L1, L2, OR L3.
 2. CONNECTION DIAGRAM-NAMEPLATE DD10213-001

| | | | | | |
|---|--------------------------|-------------------------------|--|-------------------------|--------------------------------------|
| DRAWING REVISION B | REVISION BY PRASHANTH | REV DATE/© DATE 06/22/2022 | TOLERANCES (EXCEPT AS NOTED): DEC. INCH mm ANGLE .X ±0.1 [±3] ±0.5° .XX ±0.01 [±0.3] .XXX ±0.005 [±0.13] .XXXX ±0.0005 [±0.013] | DRAWN BY SHESHI | Regal Beloit America, Inc. |
| REQUEST NUMBER NMR-0213855 | APPROVED BY BHARGAVI | DATE 06/22/2022 | | DATE 03/07/2019 | |
| REQUEST NUMBER DESCRIPTION CHANGED NOTES FROM LOW TO SINGLE VOLTAGE | | | REMOVE BURRS & BREAK SHARP EDGES: .003/.015 [.08/.38] X 45° CORNER FILLETS: R.02 [.5] MACHINED SURFACES: 125/3.2 INCH/mm | APPROVED BY BHARGAVI | DESCRIPTION CONN DIAGRAM-EXTERNAL |
| <small>COPYRIGHT (PER REVISION DATE) REGAL BELOIT AMERICA, INC. ALL RIGHTS RESERVED. PROPRIETARY AND CONFIDENTIAL INFORMATION - THIS DOCUMENT IS THE PROPERTY OF REGAL BELOIT AMERICA, INC. ("OWNER") AND CONTAINS OWNER'S PROPRIETARY INFORMATION. ANY PERSON, CORPORATION OR OTHER FIRM RECEIVING IT IS DEEMED, BY RECEIVING IT, TO AGREE THAT IT, AND/OR ANY PART OF IT, SHALL NOT BE DISCLOSED TO ANY PERSON, CORPORATION OR OTHER ENTITY, DUPLICATED, AND/OR USED, EXCEPT AS EXPRESSLY APPROVED IN WRITING IN ADVANCE BY OWNER. THIS DOCUMENT SHALL BE RETURNED TO OWNER UPON REQUEST. IT MAY BE SUBJECT TO CERTAIN RESTRICTIONS UNDER APPLICABLE EXPORT CONTROL LAWS AND REGULATIONS.</small> | | | THIRD ANGLE PROJECTION | REFERENCE CDTS139 | MATERIAL |
| | | | mm DIMENSIONS IN [BRACKETS] ARE FOR REFERENCE ONLY | DATE 03/07/2019 | PROCESS/FINISH |
| | | | | SIZE B | DRAWING NUMBER CDTS141 |
| | | | | | SHEET 1 OF 1 |