

PRODUCT INFORMATION PACKET

Model No: 056T17D15845

Catalog No: FX12FK002

FLEX-IN-1™ General Purpose Motor, 0.50 HP, 3 Ph, 60 Hz, 575 V, 1800 RPM, 56HC Frame, DP



Regal and Marathon are trademarks of Regal Rexnord Corporation or one of its affiliated companies.
©2022 Regal Rexnord Corporation, All Rights Reserved. MC017097E



Nameplate Specifications

Output HP	0.50 Hp	Output KW	0.37 kW
Frequency	60 Hz	Voltage	575 V
Current	0.70 A	Speed	1725 rpm
Service Factor	1.15	Phase	3
Efficiency	78.2 %	Power Factor	66
Duty	Continuous	Insulation Class	F
Design Code	B	KVA Code	P
Frame	56HC	Enclosure	Drip Proof
Thermal Protection	No Protection	Ambient Temperature	40 °C
Drive End Bearing Size	6203	Opp Drive End Bearing Size	6203
UL	Recognized	CSA	Y
CE	Y	IP Code	22
Number of Speeds	1		

Technical Specifications

Electrical Type	Squirrel Cage Inverter Rated	Starting Method	Line Or Inverter
Poles	4	Rotation	Reversible
Resistance Main	0 Ohms	Mounting	Bolt-on Base
Motor Orientation	Horizontal	Drive End Bearing	Ball
Opp Drive End Bearing	Ball	Frame Material	Rolled Steel
Shaft Type	NEMA 56	Shaft Diameter	0.625 in
Assembly/Box Mounting	F1 ONLY	Inverter Load	CONSTANT 2:1
Outline Drawing	OL56100835-001	Connection Drawing	CDTS141

This is an uncontrolled document once printed or downloaded and is subject to change without notice. Date Created:11/30/2022

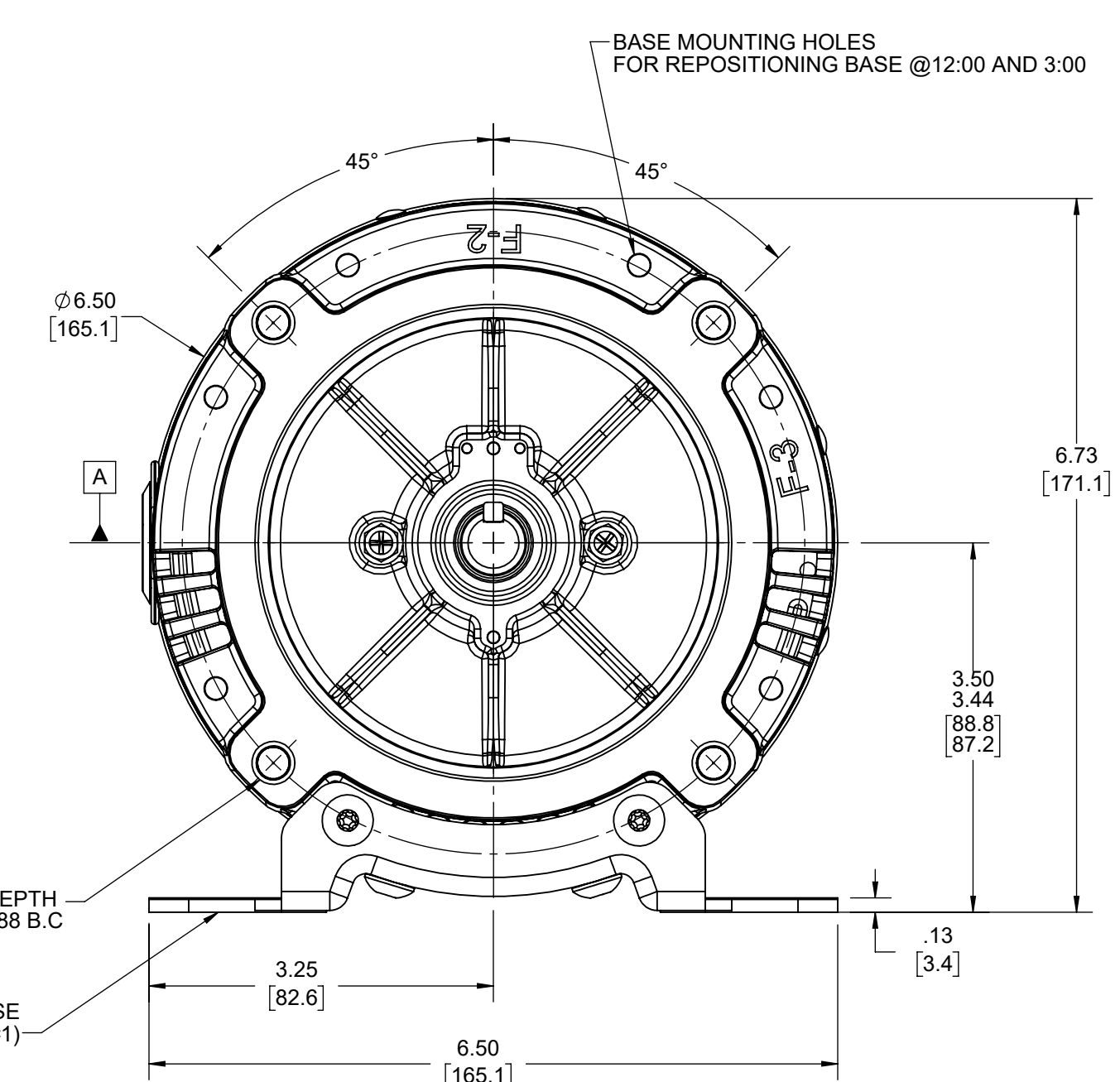
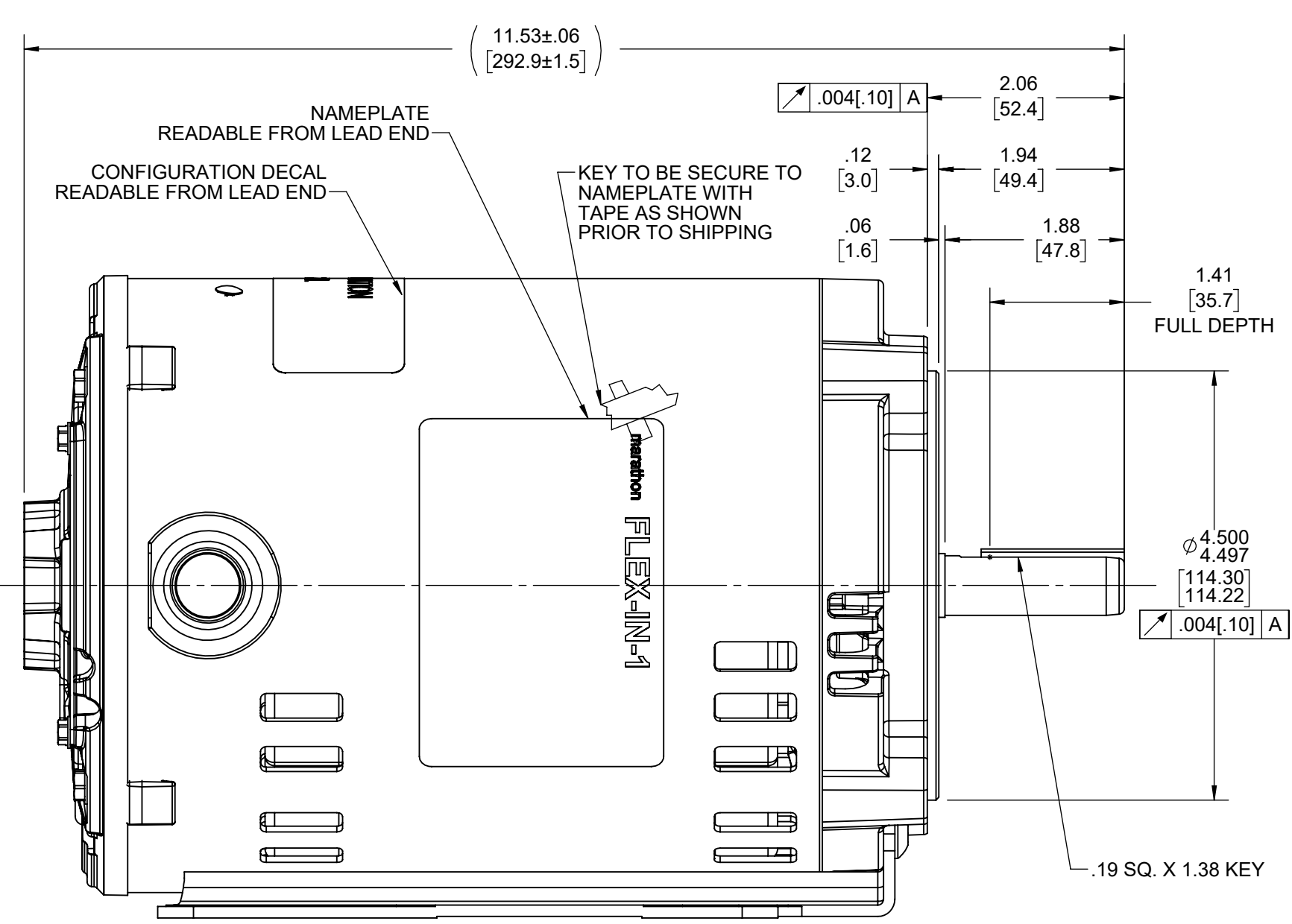
4 3 2 1

D

C

B

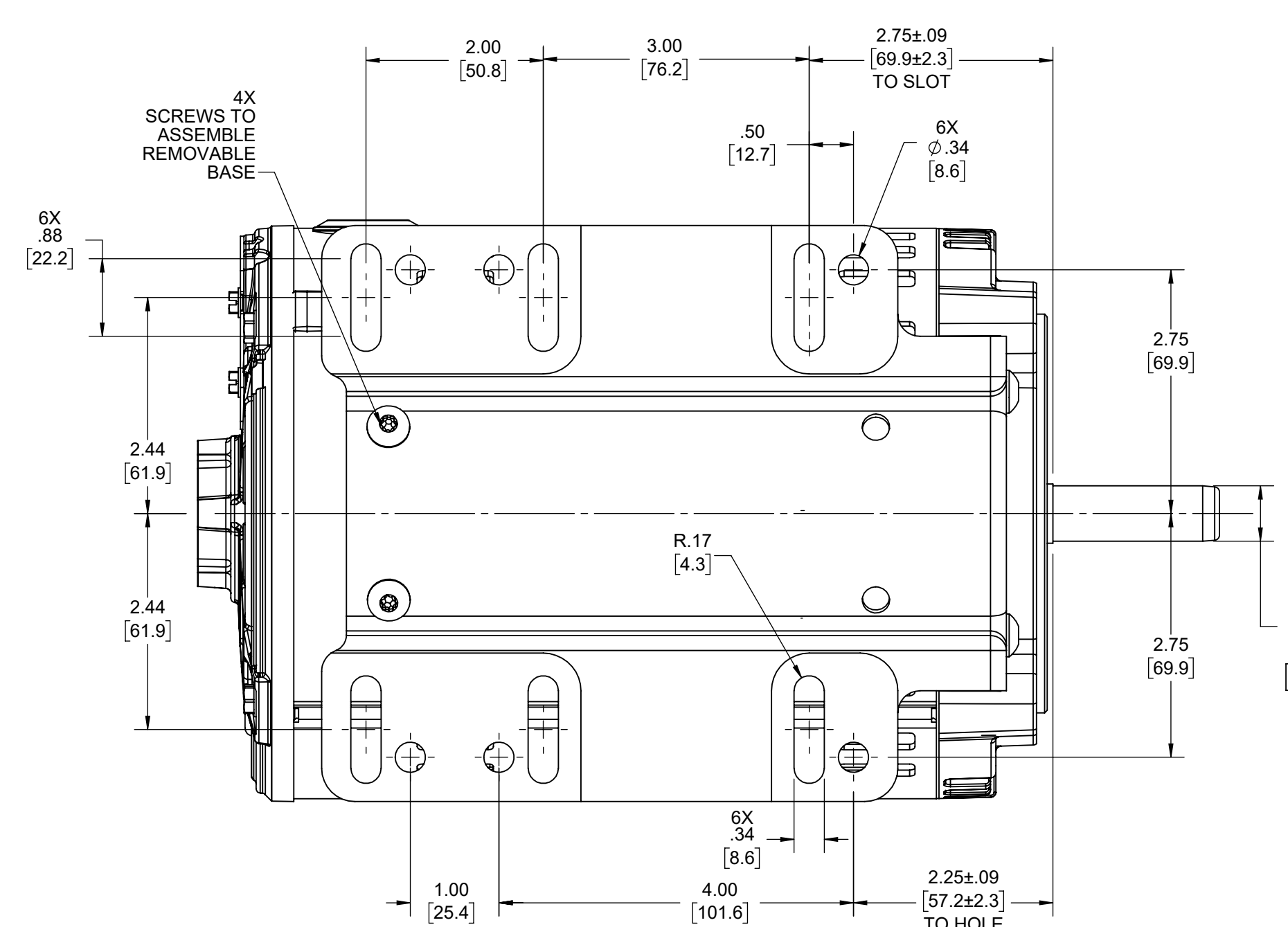
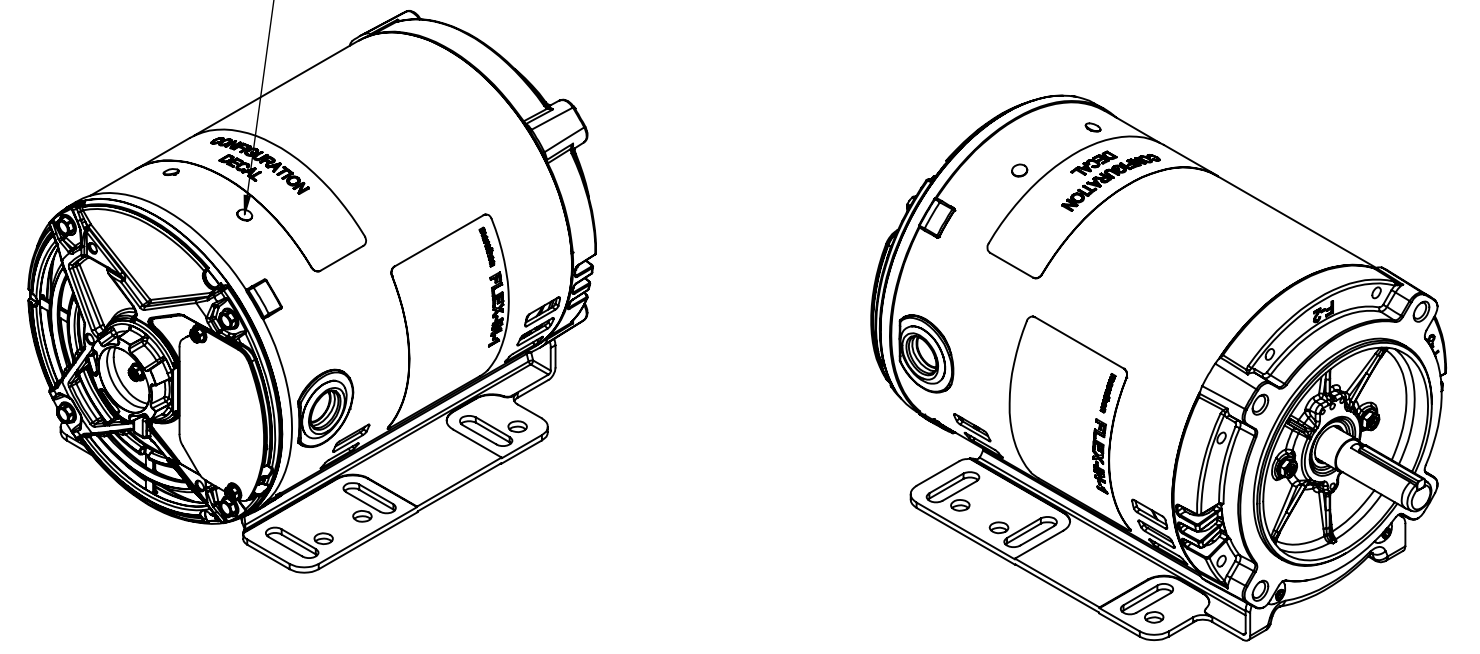
A



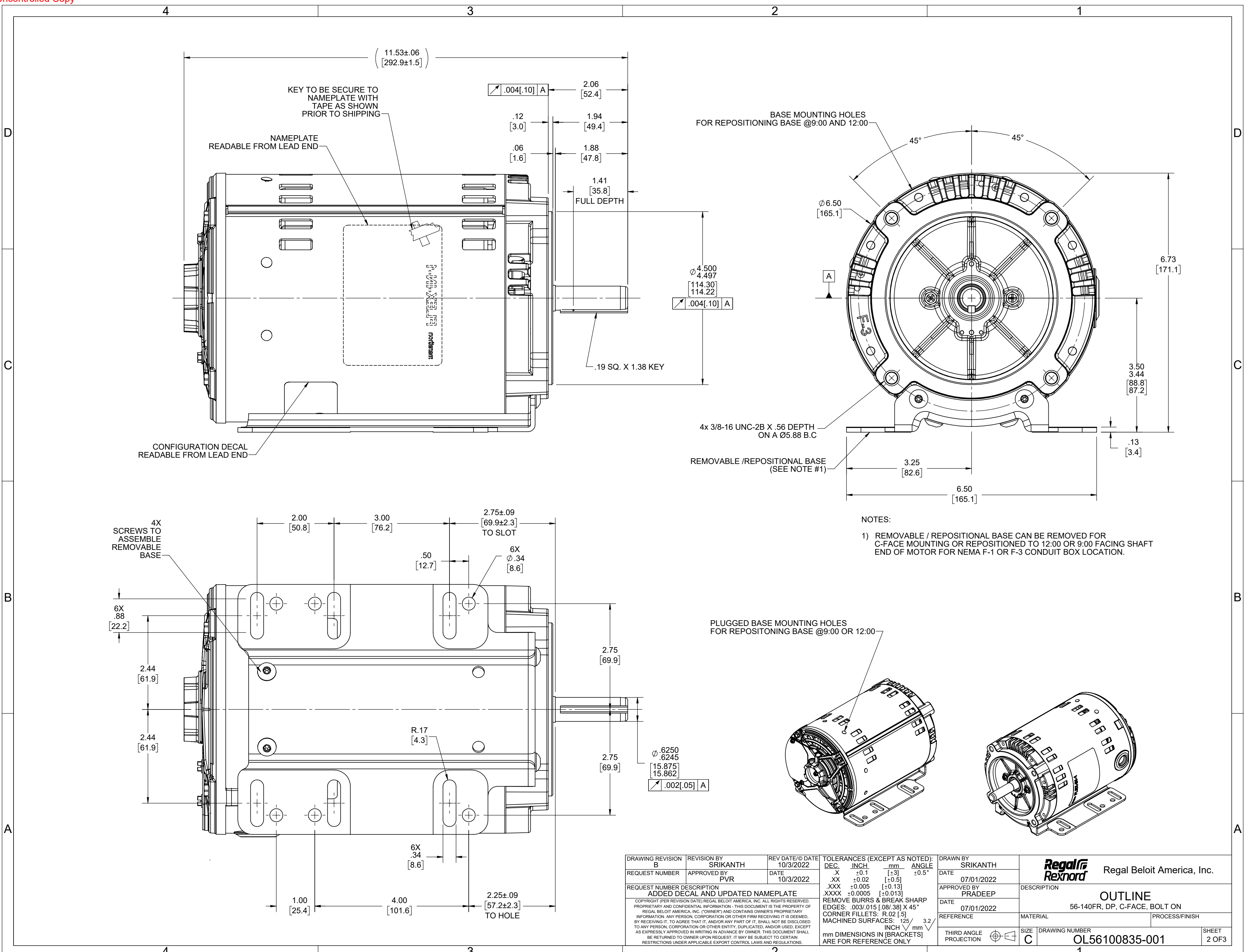
NOTES:

- 1) REMOVABLE / REPOSITIONAL BASE CAN BE REMOVED FOR C-FACE MOUNTING OR REPOSITIONED TO 12:00 OR 3:00 FACING SHAFT END OF MOTOR FOR NEMA F-2 OR F-3 CONDUIT BOX LOCATION.

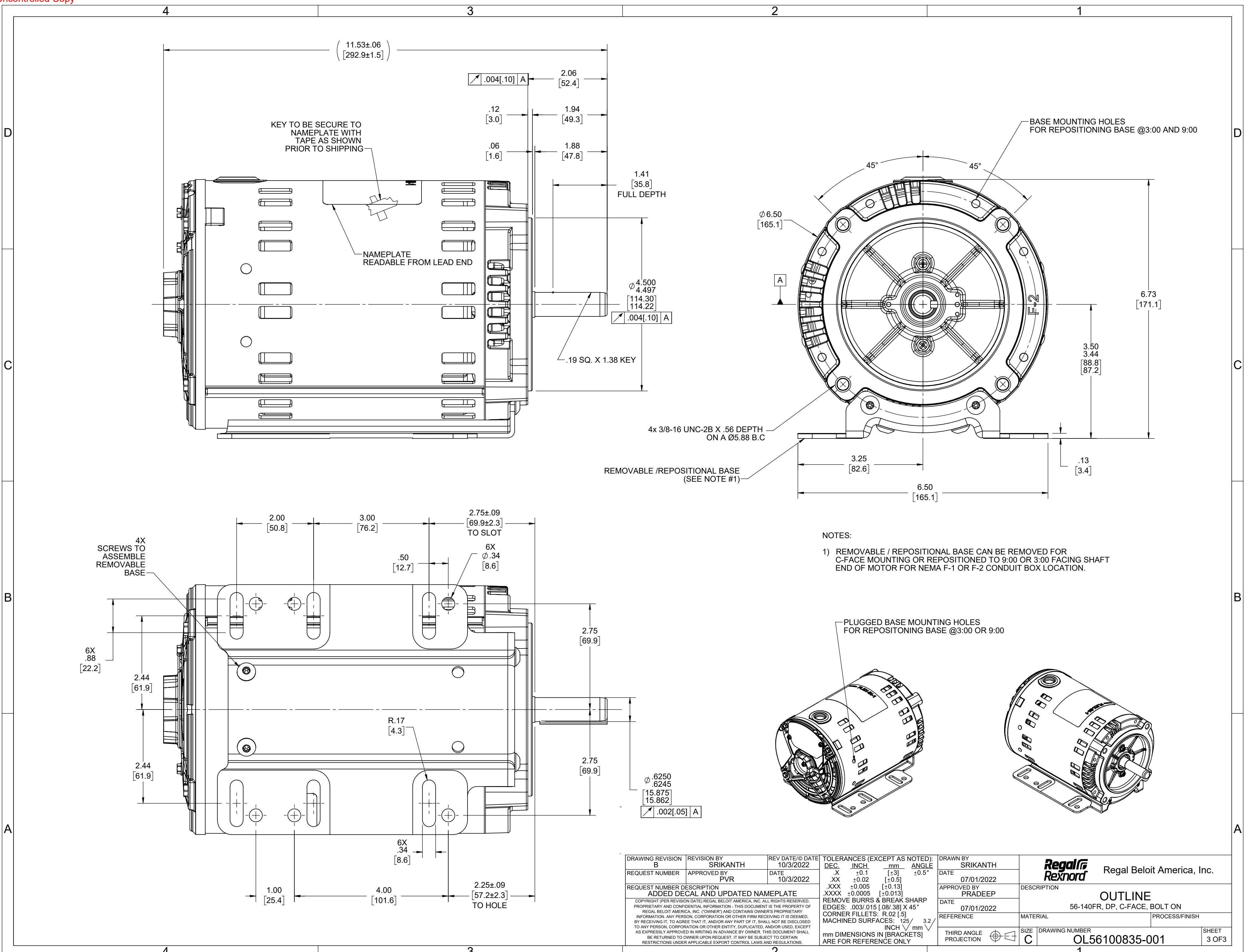
PLUGGED BASE MOUNTING HOLES FOR REPOSITIONING BASE @12:00 OR 3:00



DRAWING REVISION B	REVISION BY SRIKANTH	REV DATE/© DATE 10/3/2022	TOLERANCES (EXCEPT AS NOTED):		DRAWN BY SRIKANTH	Regal Beloit America, Inc.
REQUEST NUMBER	APPROVED BY PVR	DATE 10/3/2022	DEC.	INCH	mm	
REQUEST NUMBER DESCRIPTION ADDED DECAL AND UPDATED NAMEPLATE			.X	±0.1	[±3]	±0.5°
COPYRIGHT (PER REVISION DATE) REGAL BELOIT AMERICA, INC. ALL RIGHTS RESERVED. PROPRIETARY AND CONFIDENTIAL INFORMATION - THIS DOCUMENT IS THE PROPERTY OF REGAL BELOIT AMERICA, INC. ("OWNER") AND CONTAINS OWNER'S PROPRIETARY INFORMATION. ANY PERSON, CORPORATION OR OTHER FIRM RECEIVING IT IS DEEMED, BY RECEIVING IT, TO AGREE THAT IT, AND/OR ANY PART OF IT, SHALL NOT BE DISCLOSED TO ANY PERSON, CORPORATION OR OTHER ENTITY, DUPLICATED, AND/OR USED, EXCEPT AS EXPRESSLY APPROVED IN WRITING IN ADVANCE BY OWNER. THIS DOCUMENT SHALL BE RETURNED TO OWNER UPON REQUEST. IT MAY BE SUBJECT TO CERTAIN RESTRICTIONS UNDER APPLICABLE EXPORT CONTROL LAWS AND REGULATIONS.			.XX	±0.02	[±0.5]	
			.XXX	±0.005	[±0.13]	
			.XXXX	±0.0005	[±0.013]	
			REMOVE BURRS & BREAK SHARP EDGES: .003/.015 [.08/.38] X 45°			
			CORNER FILLETS: R.02 [.5]			
			MACHINED SURFACES: .125 / mm			
			mm DIMENSIONS IN [BRACKETS]		INCH / mm	
			3.2			
			ARE FOR REFERENCE ONLY			
THIRD ANGLE PROJECTION	DATE 07/01/2022	APPROVED BY PRADEEP	DESCRIPTION OUTLINE	MATERIAL 56-140FR, DP, C-FACE, BOLT ON	PROCESS/FINISH	
SIZE C	DRAWING NUMBER OL56100835-001	SHEET 1 OF 3				



DRAWING REVISION B	REVISION BY SRIKANTH	REV DATE/© DATE 10/3/2022	TOLERANCES (EXCEPT AS NOTED): DEC. INCH mm ANGLE	DRAWN BY SRIKANTH	Regal Beloit America, Inc.		
REQUEST NUMBER	APPROVED BY PVR	DATE 10/3/2022	.X ±0.1 [±3] .XX ±0.02 [±0.5] .XXX ±0.005 [±0.13] .XXXX ±0.0005 [±0.013]	DATE 07/01/2022			
REQUEST NUMBER DESCRIPTION ADDED DECAL AND UPDATED NAMEPLATE			REMOVE BURRS & BREAK SHARP EDGES: .003/.015 [.08/.38] X 45° CORNER FILLETS: R.02 [.5] MACHINED SURFACES: ±.125 [3.2] INCH [mm] 3.2	APPROVED BY PRADEEP	DESCRIPTION OUTLINE		
<small>COPYRIGHT (PER REVISION DATE) REGAL BELOIT AMERICA, INC. ALL RIGHTS RESERVED. PROPRIETARY AND CONFIDENTIAL INFORMATION - THIS DOCUMENT IS THE PROPERTY OF REGAL BELOIT AMERICA, INC. (OWNER) AND CONTAINS OWNER'S PROPRIETARY INFORMATION. ANY PERSON, CORPORATION OR OTHER FIRM RECEIVING IT IS DEEMED, BY RECEIVING IT, TO AGREE THAT IT, AND/OR ANY PART OF IT, SHALL NOT BE DISCLOSED TO ANY PERSON, CORPORATION OR OTHER ENTITY, DUPLICATED, AND/OR USED, EXCEPT AS EXPRESSLY APPROVED IN WRITING IN ADVANCE BY OWNER. THIS DOCUMENT SHALL BE RETURNED TO OWNER UPON REQUEST. IT MAY BE SUBJECT TO CERTAIN RESTRICTIONS UNDER APPLICABLE EXPORT CONTROL LAWS AND REGULATIONS.</small>			mm DIMENSIONS IN [BRACKETS] ARE FOR REFERENCE ONLY	DATE 07/01/2022	56-140FR, DP, C-FACE, BOLT ON		
				REFERENCE	MATERIAL	PROCESS/FINISH	
				THIRD ANGLE PROJECTION	SIZE C	DRAWING NUMBER OL56100835-001	SHEET 2 OF 3



KEY TO BE SECURE TO NAMEPLATE WITH TAPE AS SHOWN PRIOR TO SHIPPING

NAMEPLATE READABLE FROM LEAD END

BASE MOUNTING HOLES FOR REPOSITIONING BASE @3:00 AND 9:00

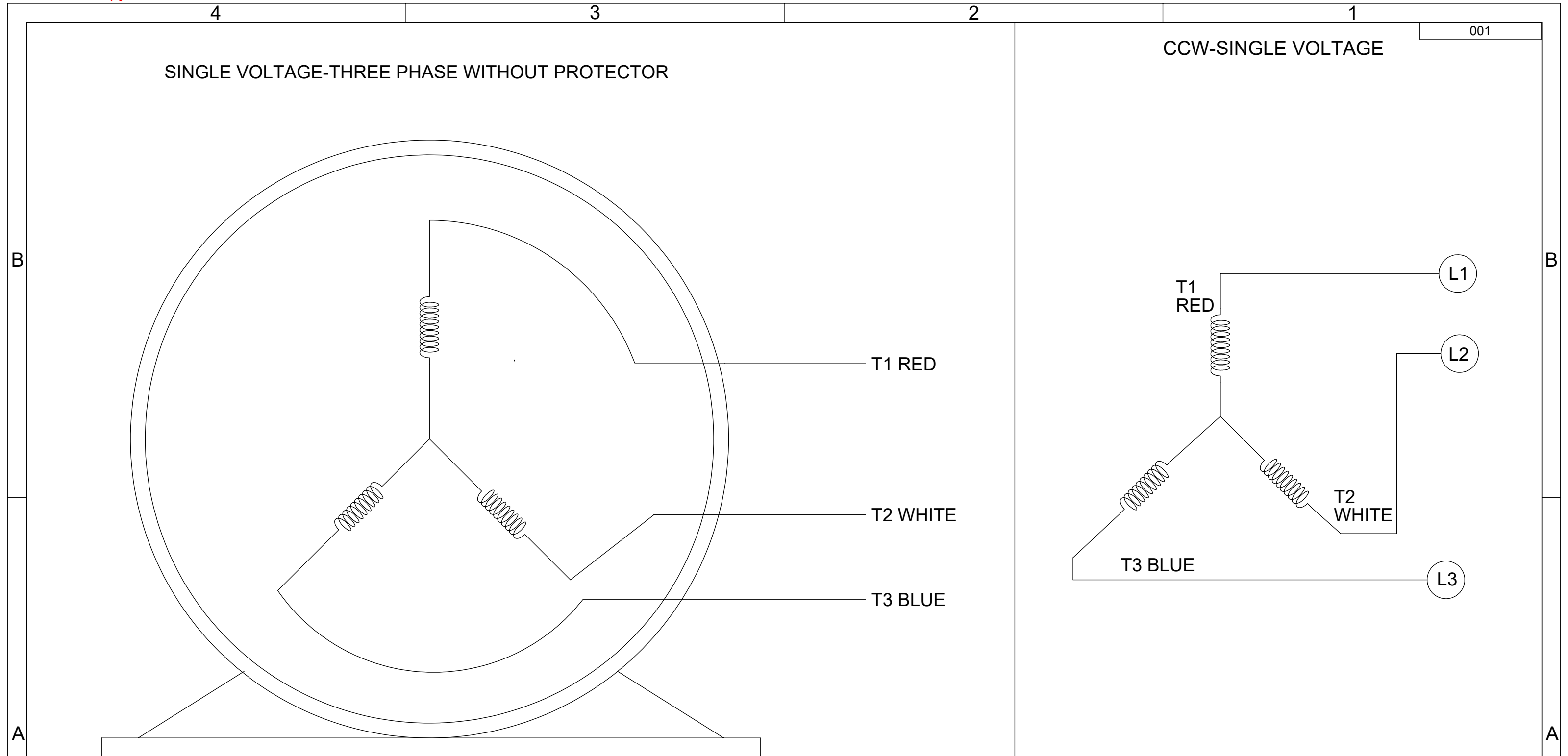
REMOVABLE /REPOSITIONAL BASE (SEE NOTE #1)

NOTES:

- 1) REMOVABLE / REPOSITIONAL BASE CAN BE REMOVED FOR C-FACE MOUNTING OR REPOSITIONED TO 9:00 OR 3:00 FACING SHAFT END OF MOTOR FOR NEMA F-1 OR F-2 CONDUIT BOX LOCATION.

PLUGGED BASE MOUNTING HOLES FOR REPOSITIONING BASE @3:00 OR 9:00

DRAWING REVISION B	REVISION BY SRIKANTH	REV DATE/© DATE 10/3/2022	TOLERANCES (EXCEPT AS NOTED): DEC. INCH mm ANGLE				DRAWN BY SRIKANTH	Regal Rexnord Regal Beloit America, Inc.		
REQUEST NUMBER	APPROVED BY PVR	DATE 10/3/2022	.X ±0.1 [±3]	.XX ±0.02 [±0.5]	.XXX ±0.005 [±0.13]	DATE 07/01/2022	DESCRIPTION			
REQUEST NUMBER DESCRIPTION ADDED DECAL AND UPDATED NAMEPLATE			.XXX ±0.0005 [±0.013]	REMOVE BURRS & BREAK SHARP EDGES: .003/.015 [.08/.38] X 45°			APPROVED BY PRADEEP	OUTLINE		
<small>COPYRIGHT (PER REVISION DATE) REGAL BELOIT AMERICA, INC. ALL RIGHTS RESERVED. PROPRIETARY AND CONFIDENTIAL INFORMATION - THIS DOCUMENT IS THE PROPERTY OF REGAL BELOIT AMERICA, INC. ("OWNER") AND CONTAINS OWNER'S PROPRIETARY INFORMATION. ANY PERSON, CORPORATION OR OTHER FIRM RECEIVING IT IS DEEMED, BY RECEIVING IT, TO AGREE THAT IT, AND/OR ANY PART OF IT, SHALL NOT BE DISCLOSED TO ANY PERSON, CORPORATION OR OTHER ENTITY, DUPLICATED, AND/OR USED, EXCEPT AS EXPRESSLY APPROVED IN WRITING IN ADVANCE BY OWNER. THIS DOCUMENT SHALL BE RETURNED TO OWNER UPON REQUEST. IT MAY BE SUBJECT TO CERTAIN RESTRICTIONS UNDER APPLICABLE EXPORT CONTROL LAWS AND REGULATIONS.</small>			CORNER FILLETS: R.02 [5]			DATE 07/01/2022	56-140FR, DP, C-FACE, BOLT ON			
			MACHINED SURFACES: $\pm .125$ / mm $\sqrt{3.2}$ INCH			REQUIREMENT: $\pm .002$ / mm $\sqrt{0.05}$ INCH			REFERENCE	MATERIAL
			mm DIMENSIONS IN [BRACKETS] ARE FOR REFERENCE ONLY			THIRD ANGLE PROJECTION	SIZE C	DRAWING NUMBER OL56100835-001	SHEET 3 OF 3	



VIEW OF TERMINAL END

- NOTES:
1. TO REVERSE ROTATION, INTERCHANGE ANY TWO LINE CONNECTIONS TO L1, L2, OR L3.
 2. CONNECTION DIAGRAM-NAMEPLATE DD10213-001

DRAWING REVISION B	REVISION BY PRASHANTH	REV DATE/© DATE 06/22/2022	TOLERANCES (EXCEPT AS NOTED): DEC. INCH mm ANGLE .X ±0.1 [±3] ±0.5° .XX ±0.01 [±0.3] .XXX ±0.005 [±0.13] .XXXX ±0.0005 [±0.013]	DRAWN BY SHESHI	Regal Beloit America, Inc.
REQUEST NUMBER NMR-0213855	APPROVED BY BHARGAVI	DATE 06/22/2022		DATE 03/07/2019	
REQUEST NUMBER DESCRIPTION CHANGED NOTES FROM LOW TO SINGLE VOLTAGE			REMOVE BURRS & BREAK SHARP EDGES: .003/.015 [.08/.38] X 45° CORNER FILLETS: R.02 [.5] MACHINED SURFACES: 125/3.2 INCH/mm	APPROVED BY BHARGAVI	DESCRIPTION CONN DIAGRAM-EXTERNAL
COPYRIGHT (PER REVISION DATE) REGAL BELOIT AMERICA, INC. ALL RIGHTS RESERVED. PROPRIETARY AND CONFIDENTIAL INFORMATION - THIS DOCUMENT IS THE PROPERTY OF REGAL BELOIT AMERICA, INC. ("OWNER") AND CONTAINS OWNER'S PROPRIETARY INFORMATION. ANY PERSON, CORPORATION OR OTHER FIRM RECEIVING IT IS DEEMED, BY RECEIVING IT, TO AGREE THAT IT, AND/OR ANY PART OF IT, SHALL NOT BE DISCLOSED TO ANY PERSON, CORPORATION OR OTHER ENTITY, DUPLICATED, AND/OR USED, EXCEPT AS EXPRESSLY APPROVED IN WRITING IN ADVANCE BY OWNER. THIS DOCUMENT SHALL BE RETURNED TO OWNER UPON REQUEST. IT MAY BE SUBJECT TO CERTAIN RESTRICTIONS UNDER APPLICABLE EXPORT CONTROL LAWS AND REGULATIONS.			ARE FOR REFERENCE ONLY	DATE 03/07/2019	MATERIAL
			THIRD ANGLE PROJECTION	REFERENCE CDTS139	PROCESS/FINISH
			SIZE B	DRAWING NUMBER CDTS141	SHEET 1 OF 1