

# PRODUCT INFORMATION PACKET

Model No: 056T17F15954

Catalog No: FX32BK004

FLEX-IN-1™ General Purpose Motor, 1.50 HP, 3 Ph, 60 Hz, 208-230/460 V, 1800 RPM, 56HC Frame, TEFC



Regal and Marathon are trademarks of Regal Rexnord Corporation or one of its affiliated companies.  
©2022 Regal Rexnord Corporation, All Rights Reserved. MC017097E



### Nameplate Specifications

Output HP	<b>1.50 Hp</b>	Output KW	<b>1.1 kW</b>
Frequency	<b>60 Hz</b>	Voltage	<b>208-230/460 V</b>
Current	<b>4.7-4.6/2.3 A</b>	Speed	<b>1725 rpm</b>
Service Factor	<b>1.15</b>	Phase	<b>3</b>
Efficiency	<b>86.5 %</b>	Power Factor	<b>71</b>
Duty	<b>Continuous</b>	Insulation Class	<b>F</b>
Design Code	<b>A</b>	KVA Code	<b>P</b>
Frame	<b>56HC</b>	Enclosure	<b>Totally Enclosed Fan Cooled</b>
Thermal Protection	<b>No Protection</b>	Ambient Temperature	<b>40 °C</b>
Drive End Bearing Size	<b>6203</b>	Opp Drive End Bearing Size	<b>6203</b>
UL	<b>Recognized</b>	CSA	<b>Y</b>
CE	<b>Y</b>	IP Code	<b>43</b>
Number of Speeds	<b>1</b>		

### Technical Specifications

Electrical Type	<b>Squirrel Cage Inverter Rated</b>	Starting Method	<b>Line Or Inverter</b>
Poles	<b>4</b>	Rotation	<b>Reversible</b>
Resistance Main	<b>7.9 Ohms</b>	Mounting	<b>Bolt-on Base</b>
Motor Orientation	<b>Horizontal Or Up Or Down</b>	Drive End Bearing	<b>Ball</b>
Opp Drive End Bearing	<b>Ball</b>	Frame Material	<b>Rolled Steel</b>
Shaft Type	<b>NEMA 56</b>	Shaft Diameter	<b>0.625 in</b>
Assembly/Box Mounting	<b>F1 ONLY</b>	Inverter Load	<b>CONSTANT 10:1</b>
Connection Drawing	<b>CDTD127</b>	Outline Drawing	<b>OL56100828-001</b>

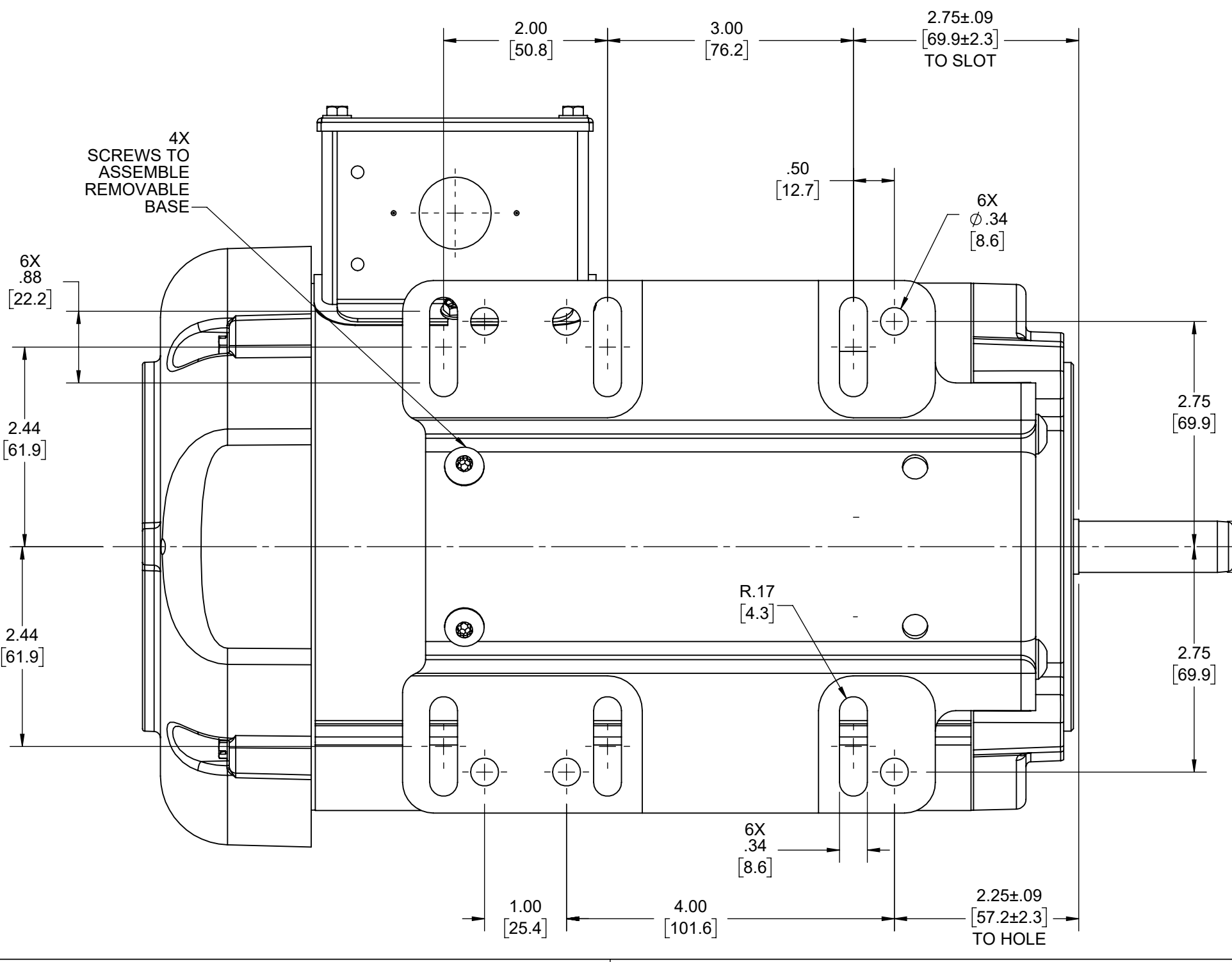
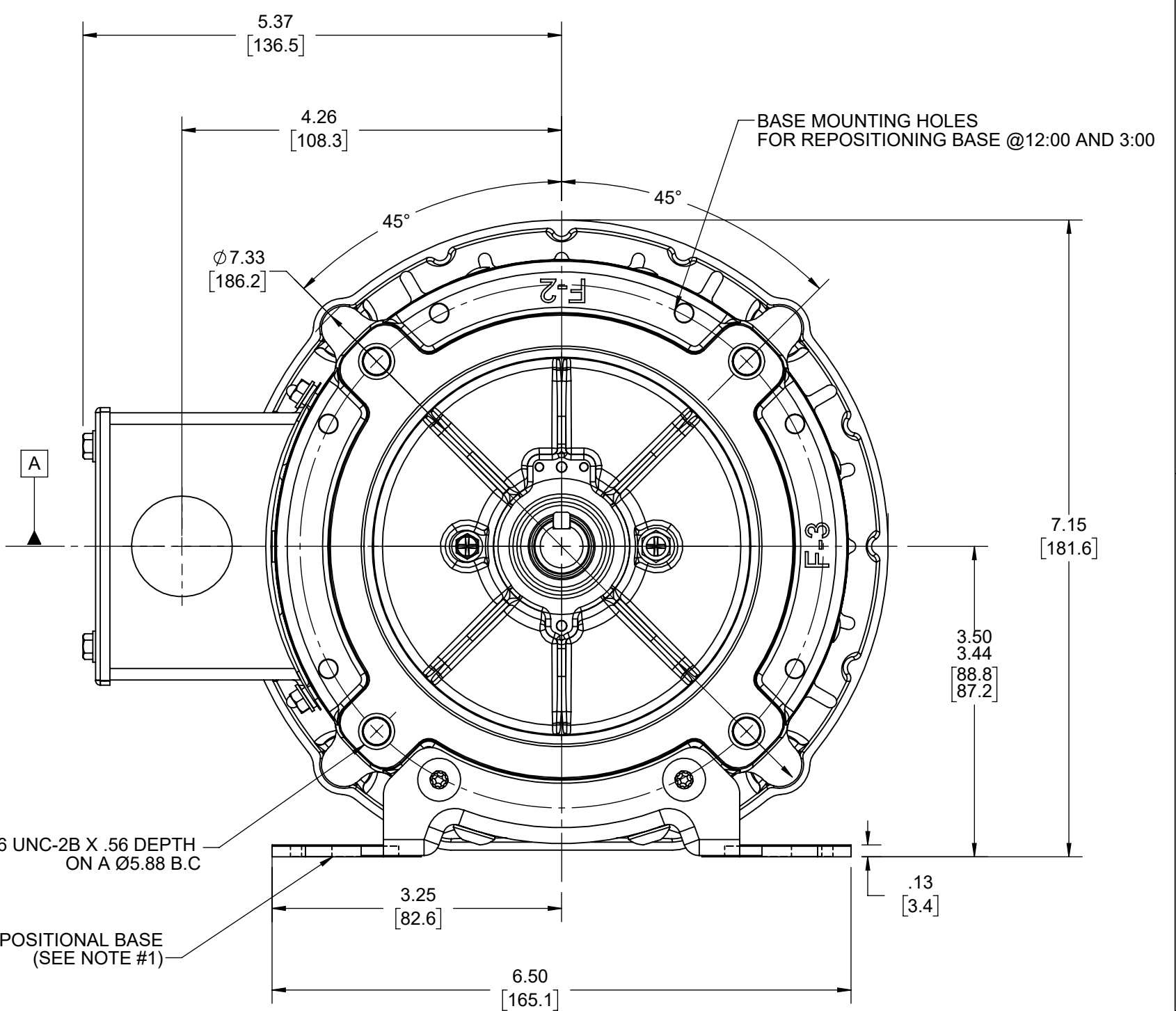
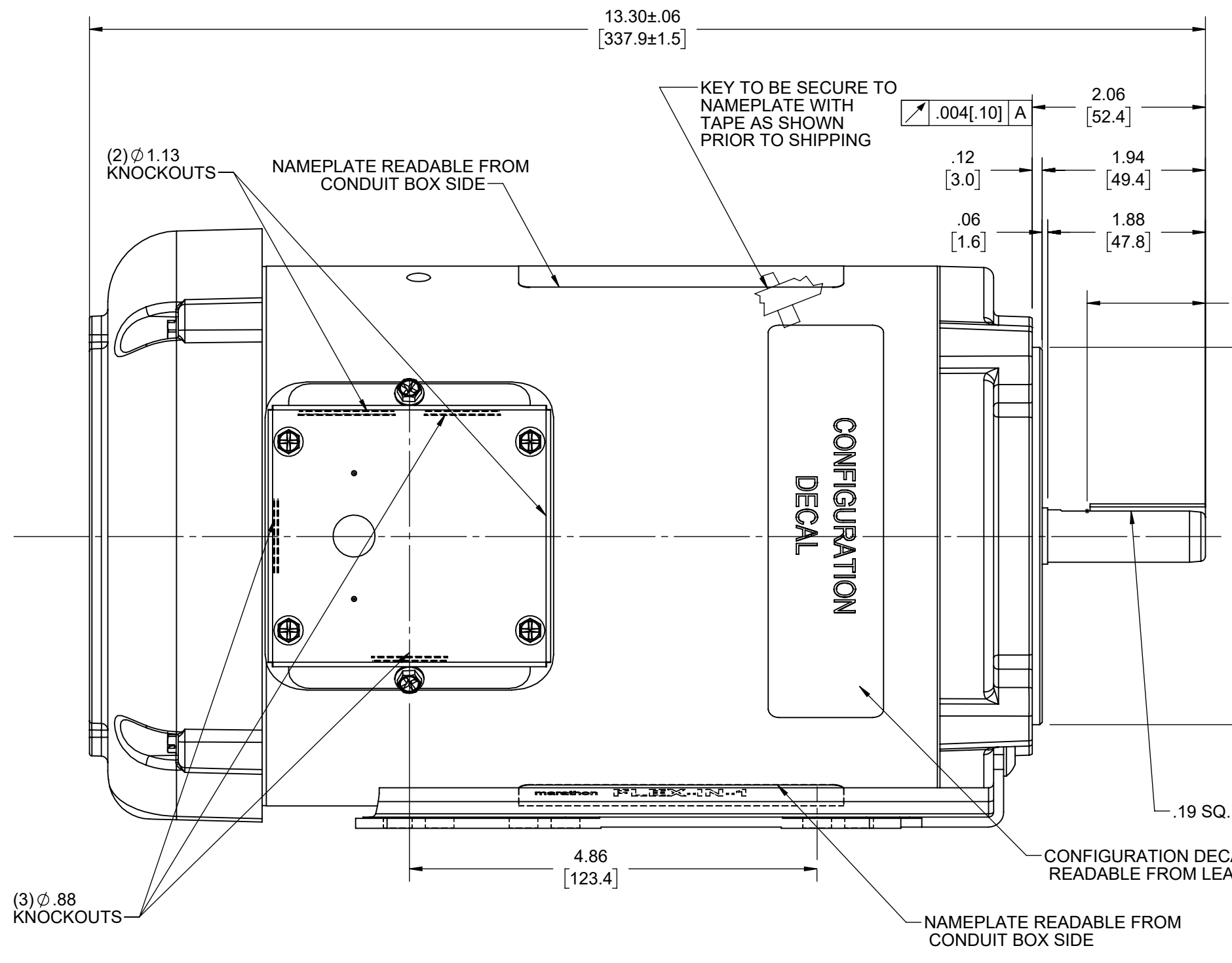
This is an uncontrolled document once printed or downloaded and is subject to change without notice. Date Created:11/30/2022

4

3

2

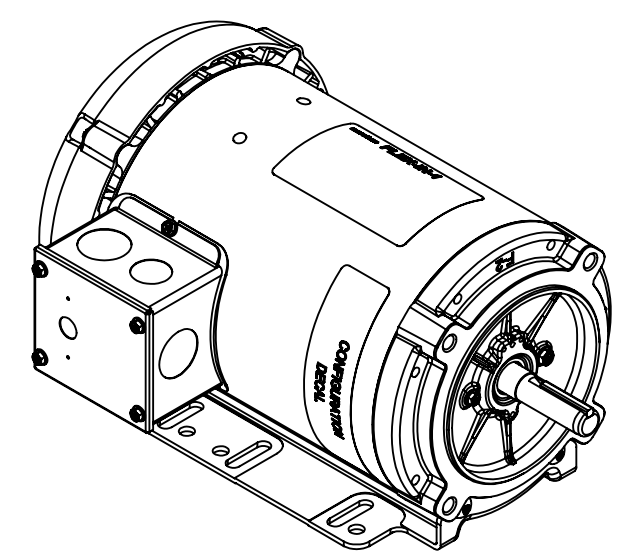
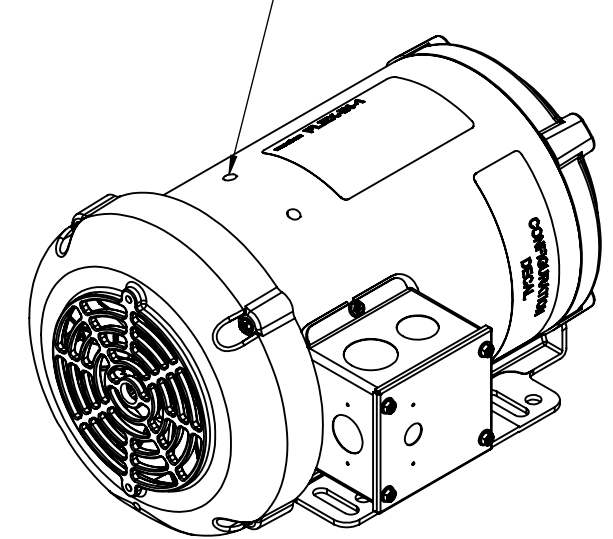
1



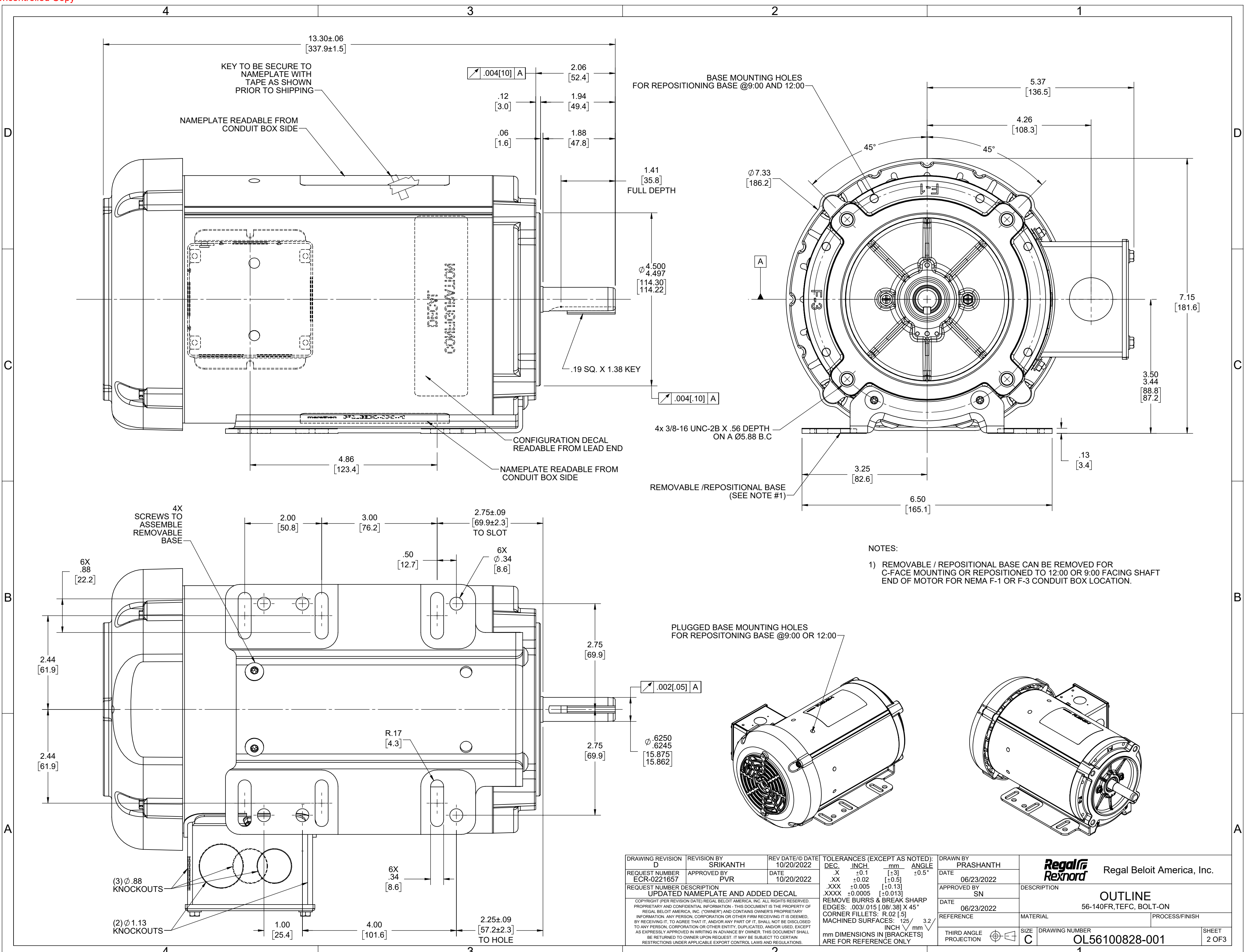
NOTES:

- 1) REMOVABLE / REPOSITIONAL BASE CAN BE REMOVED FOR C-FACE MOUNTING OR REPOSITIONED TO 12:00 OR 3:00 FACING SHAFT END OF MOTOR FOR NEMA F-2 OR F-3 CONDUIT BOX LOCATION.

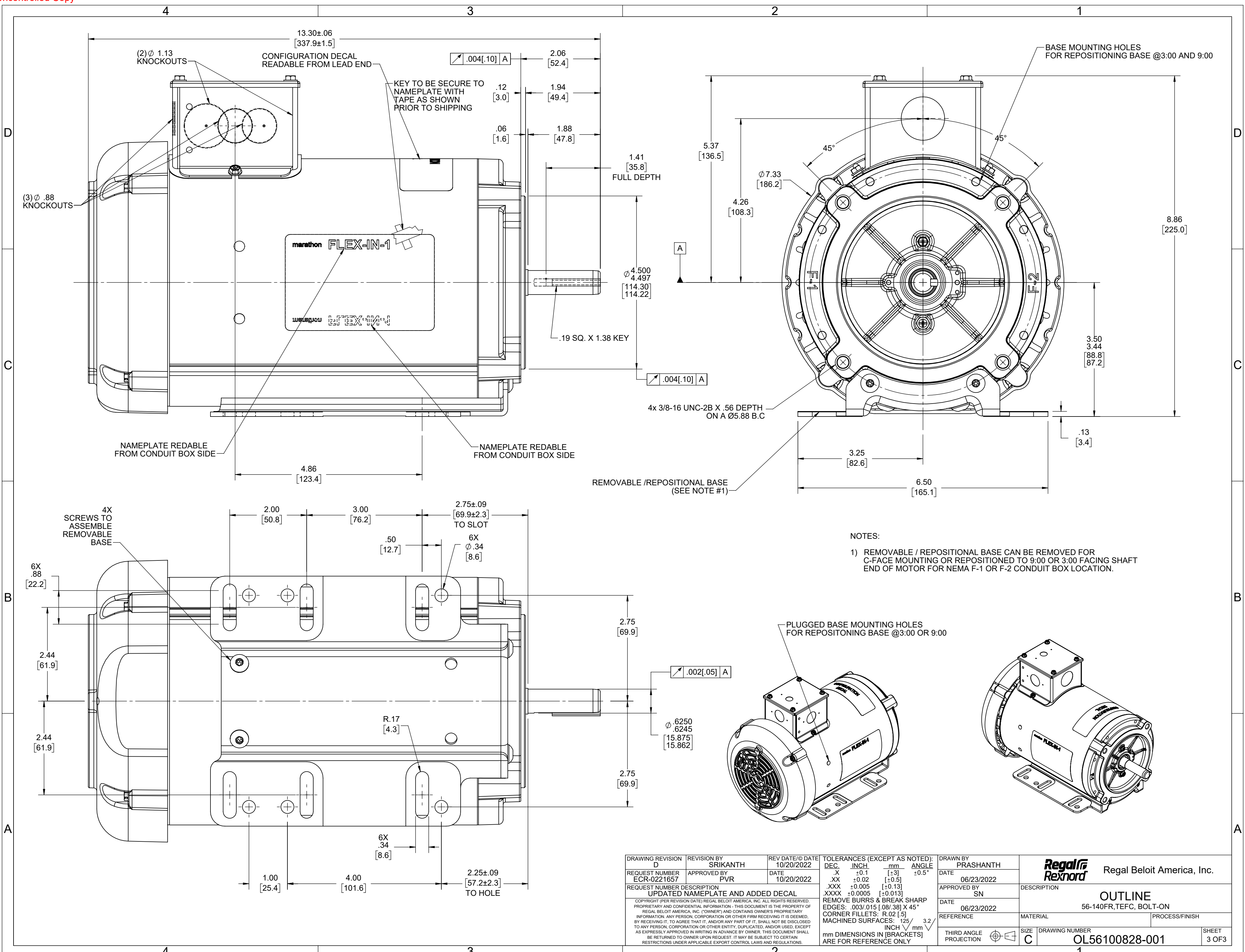
PLUGGED BASE MOUNTING HOLES FOR REPOSITIONING BASE @12:00 OR 3:00



DRAWING REVISION D	REVISION BY SRIKANTH	REV DATE/© DATE 10/20/2022	TOLERANCES (EXCEPT AS NOTED):				DRAWN BY PRASHANTH	Regal Beloit America, Inc.	
REQUEST NUMBER ECR-0221657	APPROVED BY PVR	DATE 10/20/2022	DEC.	INCH	mm	ANGLE	DATE 06/23/2022		
REQUEST NUMBER DESCRIPTION UPDATED NAMEPLATE AND ADDED DECAL			.X	±0.1	[±3]	±0.5°	APPROVED BY SN	DESCRIPTION <b>OUTLINE</b>	
<small>COPYRIGHT (PER REVISION DATE) REGAL BELOIT AMERICA, INC. ALL RIGHTS RESERVED. PROPRIETARY AND CONFIDENTIAL INFORMATION - THIS DOCUMENT IS THE PROPERTY OF REGAL BELOIT AMERICA, INC. ("OWNER") AND CONTAINS OWNER'S PROPRIETARY INFORMATION. ANY PERSON, CORPORATION OR OTHER FIRM RECEIVING IT IS DEEMED, BY RECEIVING IT, TO AGREE THAT IT, AND/OR ANY PART OF IT, SHALL NOT BE DISCLOSED TO ANY PERSON, CORPORATION OR OTHER ENTITY, DUPLICATED, AND/OR USED, EXCEPT AS EXPRESSLY APPROVED IN WRITING IN ADVANCE BY OWNER. THIS DOCUMENT SHALL BE RETURNED TO OWNER UPON REQUEST. IT MAY BE SUBJECT TO CERTAIN RESTRICTIONS UNDER APPLICABLE EXPORT CONTROL LAWS AND REGULATIONS.</small>			.XX	±0.02	[±0.5]		DATE 06/23/2022	MATERIAL 56-140FR,TEFC, BOLT-ON	
			.XXX	±0.005	[±0.13]		REFERENCE	PROCESS/FINISH	
			.XXXX	±0.0005	[±0.013]		THIRD ANGLE PROJECTION	SIZE C	DRAWING NUMBER OL56100828-001
			MACHINED SURFACES: $\sqrt{125}$ INCH $\sqrt{3.2}$ mm		mm DIMENSIONS IN [BRACKETS] ARE FOR REFERENCE ONLY		SHEET 1 OF 3		



DRAWING REVISION D	REVISION BY SRIKANTH	REV DATE/DATE 10/20/2022	TOLERANCES (EXCEPT AS NOTED):		DRAWN BY PRASHANTH	Regal Beloit America, Inc.
REQUEST NUMBER ECR-0221657	APPROVED BY PVR	DATE 10/20/2022	DEC.	INCH	DATE 06/23/2022	
REQUEST NUMBER DESCRIPTION UPDATED NAMEPLATE AND ADDED DECAL			.X	±0.1	APPROVED BY SN	OUTLINE
<small>COPYRIGHT (PER REVISION DATE) REGAL BELOIT AMERICA, INC. ALL RIGHTS RESERVED. PROPRIETARY AND CONFIDENTIAL INFORMATION - THIS DOCUMENT IS THE PROPERTY OF REGAL BELOIT AMERICA, INC. ("OWNER") AND CONTAINS OWNER'S PROPRIETARY INFORMATION. ANY PERSON, CORPORATION OR OTHER FIRM RECEIVING IT IS DEEMED, BY RECEIVING IT, TO AGREE THAT IT, AND/OR ANY PART OF IT, SHALL NOT BE DISCLOSED TO ANY PERSON, CORPORATION OR OTHER ENTITY, DUPLICATED, AND/OR USED, EXCEPT AS EXPRESSLY APPROVED IN WRITING IN ADVANCE BY OWNER. THIS DOCUMENT SHALL BE RETURNED TO OWNER UPON REQUEST. IT MAY BE SUBJECT TO CERTAIN RESTRICTIONS UNDER APPLICABLE EXPORT CONTROL LAWS AND REGULATIONS.</small>			.XX	±0.02	DATE 06/23/2022	56-140FR,TEFC, BOLT-ON
			.XXX	±0.005	REFERENCE	MATERIAL
			.XXXX	±0.0005	THIRD ANGLE PROJECTION	
			REMOVE BURRS & BREAK SHARP EDGES: .003/.015 [.08/.38] X 45° CORNER FILLETS: R.02 [5] MACHINED SURFACES: .125/3.2 INCH/mm		SIZE C	DRAWING NUMBER OL56100828-001
			mm DIMENSIONS IN [BRACKETS] ARE FOR REFERENCE ONLY		SHEET 2 OF 3	



DRAWING REVISION D	REVISION BY SRIKANTH	REV DATE/© DATE 10/20/2022	TOLERANCES (EXCEPT AS NOTED):				DRAWN BY PRASHANTH	Regal Rexnord Regal Beloit America, Inc.	
REQUEST NUMBER ECR-0221657	APPROVED BY PVR	DATE 10/20/2022	DEC.	INCH	mm	ANGLE	DATE 06/23/2022	DESCRIPTION	
REQUEST NUMBER DESCRIPTION UPDATED NAMEPLATE AND ADDED DECAL			.X	±0.1	[±3]	±0.5°	APPROVED BY SN	OUTLINE	
<small>COPYRIGHT (PER REVISION DATE) REGAL BELOIT AMERICA, INC. ALL RIGHTS RESERVED. PROPRIETARY AND CONFIDENTIAL INFORMATION - THIS DOCUMENT IS THE PROPERTY OF REGAL BELOIT AMERICA, INC. ("OWNER") AND CONTAINS OWNER'S PROPRIETARY INFORMATION. ANY PERSON, CORPORATION OR OTHER FIRM RECEIVING IT IS DEEMED, BY RECEIVING IT, TO AGREE THAT IT, AND/OR ANY PART OF IT, SHALL NOT BE DISCLOSED TO ANY PERSON, CORPORATION OR OTHER ENTITY, DUPLICATED, AND/OR USED, EXCEPT AS EXPRESSLY APPROVED IN WRITING IN ADVANCE BY OWNER. THIS DOCUMENT SHALL BE RETURNED TO OWNER UPON REQUEST. IT MAY BE SUBJECT TO CERTAIN RESTRICTIONS UNDER APPLICABLE EXPORT CONTROL LAWS AND REGULATIONS.</small>			.XX	±0.02	[±0.5]		DATE 06/23/2022	56-140FR,TEFC, BOLT-ON	
			.XXX	±0.005	[±0.13]		REFERENCE	MATERIAL	PROCESS/FINISH
			.XXXX	±0.0005	[±0.013]		THIRD ANGLE PROJECTION	SIZE C	DRAWING NUMBER OL56100828-001
			<small>REMOVE BURRS &amp; BREAK SHARP EDGES: .003/.015 [.08/.38] X 45°                  CORNER FILLETS: R.02 [.5]                  MACHINED SURFACES: ±.125 / mm 3.2 INCH / mm                  mm DIMENSIONS IN [BRACKETS] ARE FOR REFERENCE ONLY</small>				SHEET 3 OF 3		

4

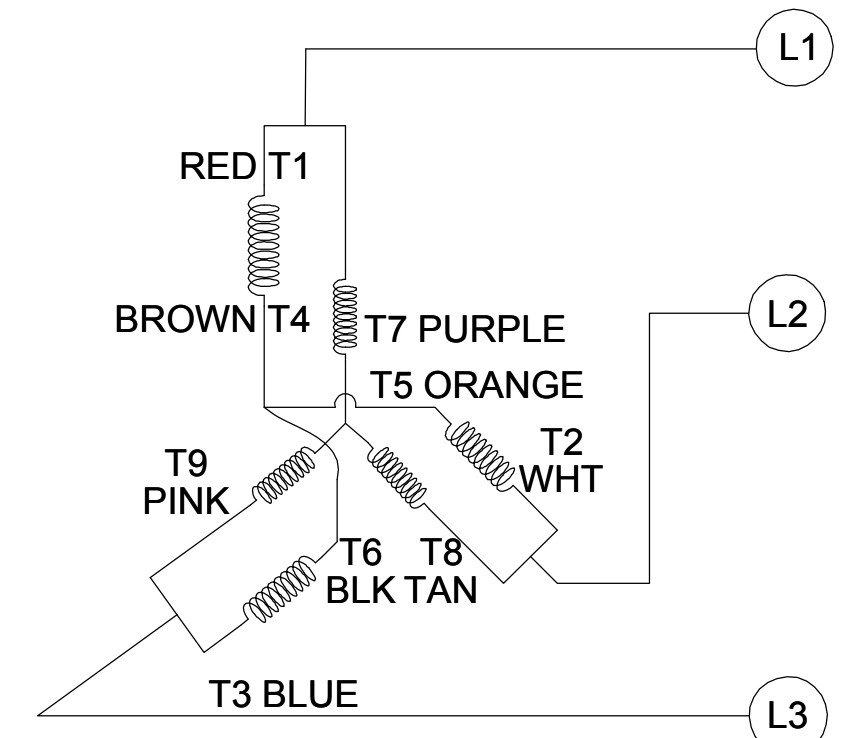
3

2

1

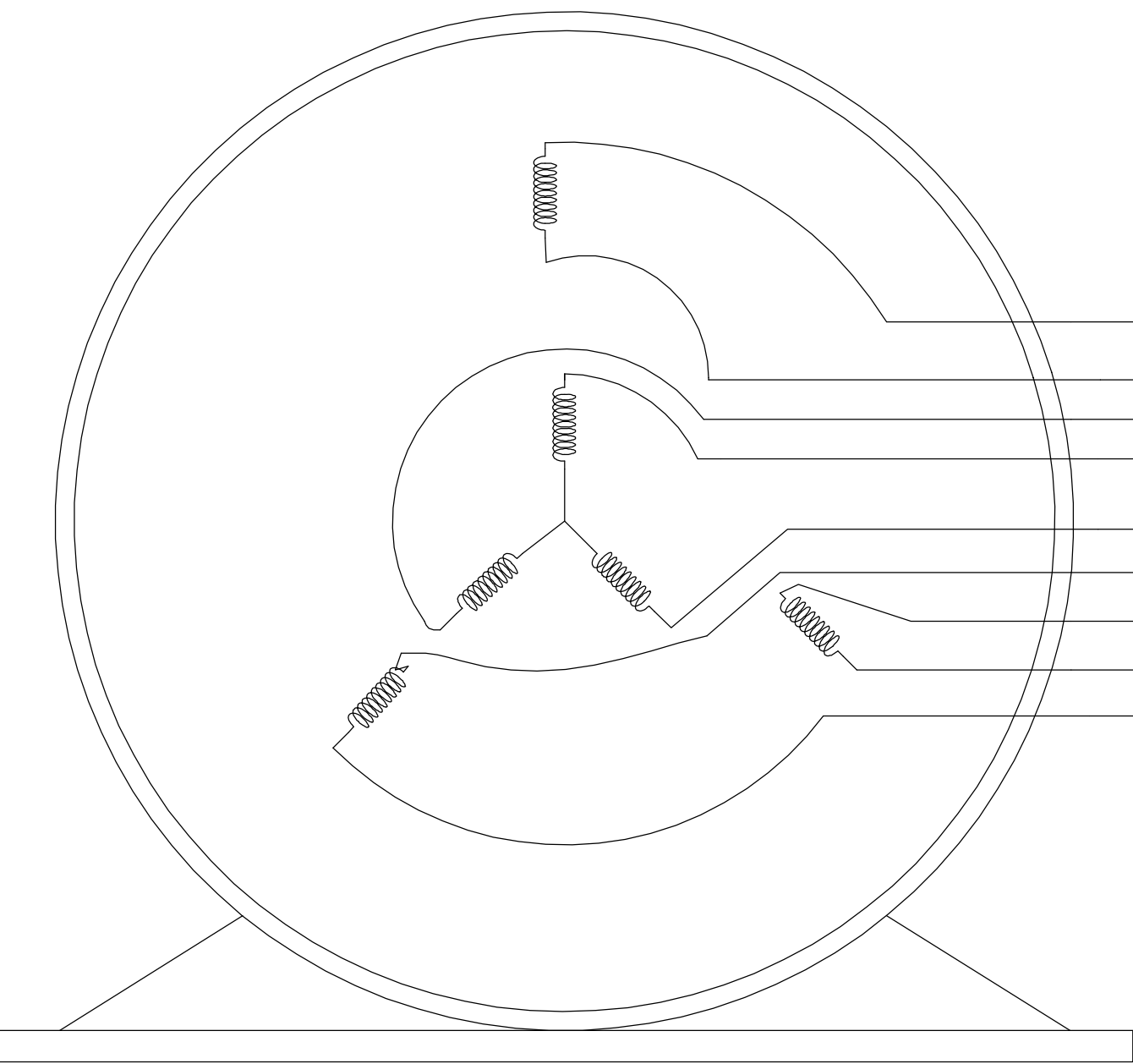
001

CCW LOW VOLTAGE



B

B



- T1 RED
- T4 BROWN
- T9 PINK
- T7 PURPLE
- T8 TAN
- T6 BLACK
- T5 ORANGE
- T2 WHITE
- T3 BLUE

VIEW OF TERMINAL END

A

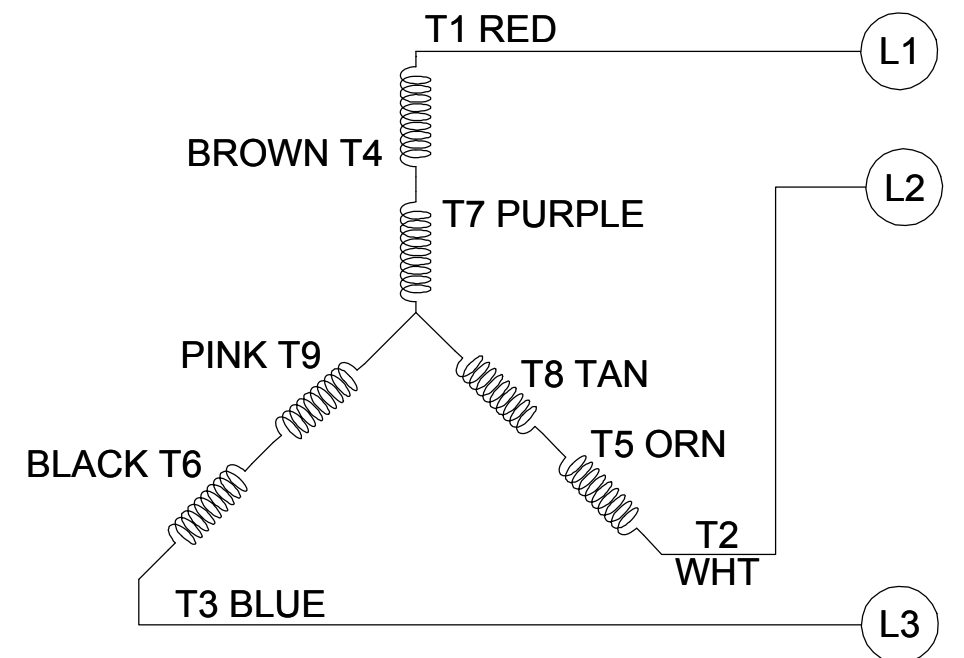
A

NOTE:

1. TO REVERSE ROTATION, INTERCHANGE ANY TWO LINE CONNECTIONS TO L1, L2, OR L3.
2. CONNECTION DIAGRAM-NAMEPLATE DD10123-001 - CCWLE DD10199-001 - CWLE

CCW HIGH VOLTAGE

002



DRAWING REVISION D	REVISION BY SHESHI	DATE 01/11/2019
ECO ECO-0159881	APPROVED BY CD	DATE 01/11/2019
ECO DESCRIPTION ADDED DD10199-001		
<small>COPYRIGHT REGAL BELOIT AMERICA, INC. ALL RIGHTS RESERVED. PROPRIETARY AND CONFIDENTIAL INFORMATION - THIS DOCUMENT IS THE PROPERTY OF REGAL BELOIT AMERICA, INC. ("OWNER") AND CONTAINS OWNER'S PROPRIETARY INFORMATION. ANY PERSON, CORPORATION OR OTHER FIRM RECEIVING IT IS DEEMED, BY RECEIVING IT, TO AGREE THAT IT, AND/OR ANY PART OF IT, SHALL NOT BE DISCLOSED TO ANY PERSON, CORPORATION OR OTHER ENTITY, DUPLICATED, AND/OR USED, EXCEPT AS EXPRESSLY APPROVED IN WRITING IN ADVANCE BY OWNER. THIS DOCUMENT SHALL BE RETURNED TO OWNER UPON REQUEST. IT MAY BE SUBJECT TO CERTAIN RESTRICTIONS UNDER APPLICABLE EXPORT CONTROL LAWS AND REGULATIONS.</small>		

TOLERANCES UNLESS OTHERWISE SPECIFIED:			
DEC.	INCH	mm	ANGLE
.X	±0.1	[±2.5]	±0.5°
.XX	±0.01	[±0.25]	
.XXX	±0.005	[±0.127]	
.XXXX	±0.0005	[±0.0127]	
REMOVE BURRS & BREAK SHARP EDGES: .003/.015 [.076/.381] CORNER FILLETS: .02 [.51] MACHINED SURFACES: 125 INCH 3.2 mm SHOWN IN [BRACKETS]			

DRAWN BY G. RODRIGUEZ	DATE 12-01-2017
APPROVED BY J. A. MORENO	DATE 12-01-2017
REFERENCE CDTD103	THIRD ANGLE PROJECTION

Regal Beloit America, Inc.	
DESCRIPTION CONN DIAGRAM-EXTERNAL	
MATERIAL	PROCESS/FINISH
SIZE B	DRAWING NUMBER CDTD127
SHEET 1 OF 1	

4

3

2

1