

PRODUCT INFORMATION PACKET

Model No: 056T17D15848

Catalog No: FX32FK002

FLEX-IN-1™ General Purpose Motor, 1.50 HP, 3 Ph, 60 Hz, 575 V, 1800 RPM, 56HC Frame, DP



Regal and Marathon are trademarks of Regal Rexnord Corporation or one of its affiliated companies.
©2022 Regal Rexnord Corporation, All Rights Reserved. MC017097E



Nameplate Specifications

Output HP	1.50 Hp	Output KW	1.1 kW
Frequency	60 Hz	Voltage	575 V
Current	1.8 A	Speed	1725 rpm
Service Factor	1.15	Phase	3
Efficiency	86.5 %	Power Factor	75
Duty	Continuous	Insulation Class	F
Design Code	B	KVA Code	M
Frame	56HC	Enclosure	Drip Proof
Thermal Protection	No Protection	Ambient Temperature	40 °C
Drive End Bearing Size	6203	Opp Drive End Bearing Size	6203
UL	Recognized	CSA	Y
CE	Y	IP Code	22
Number of Speeds	1		

Technical Specifications

Electrical Type	Squirrel Cage Inverter Rated	Starting Method	Line Or Inverter
Poles	4	Rotation	Reversible
Mounting	Bolt-on Base	Motor Orientation	Horizontal
Drive End Bearing	Ball	Opp Drive End Bearing	Ball
Frame Material	Rolled Steel	Shaft Type	NEMA 56
Shaft Diameter	0.625 in	Assembly/Box Mounting	F1 ONLY
Inverter Load	CONSTANT 2:1		
Outline Drawing	OL56100846-001	Connection Drawing	CDTS141

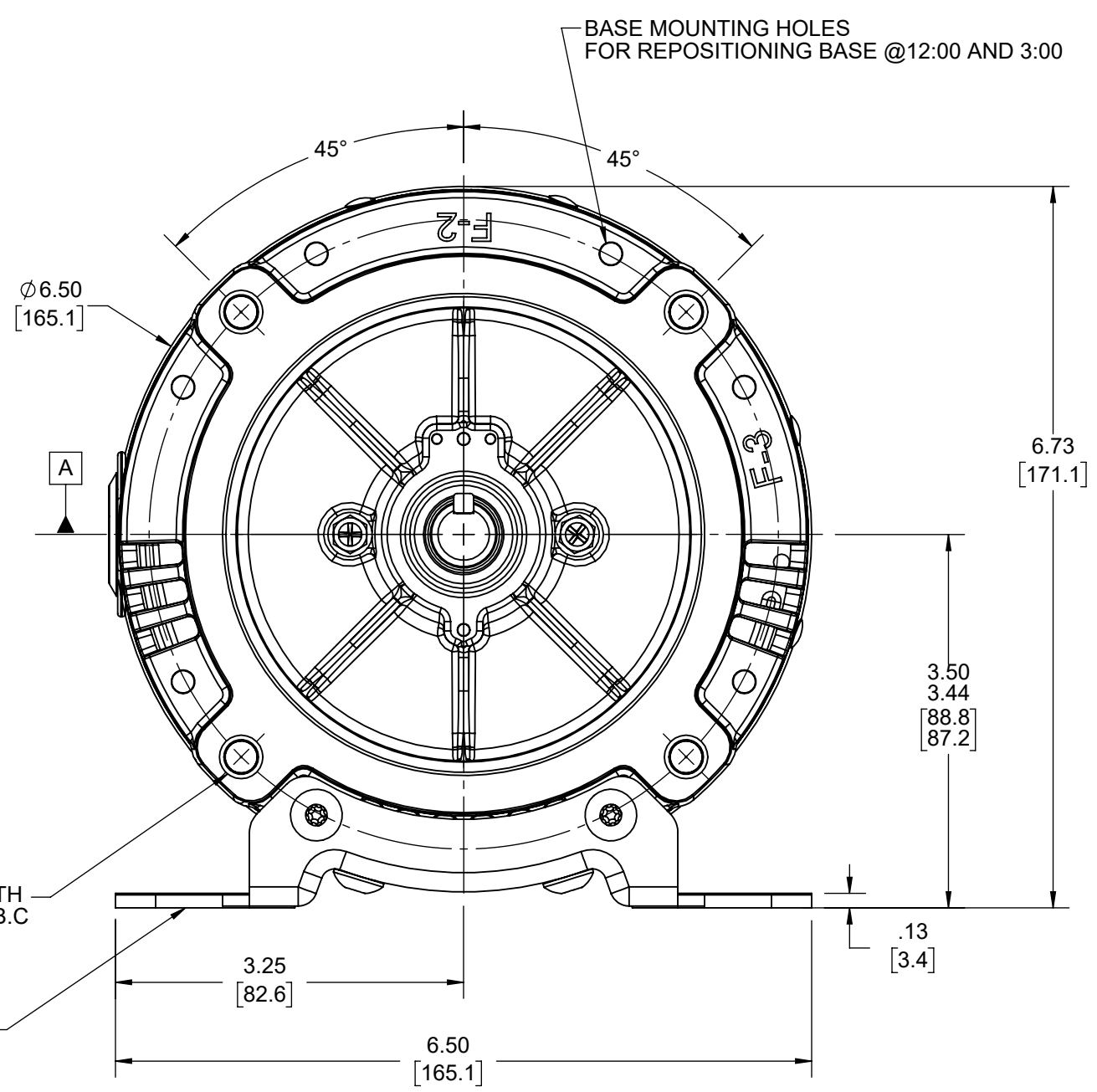
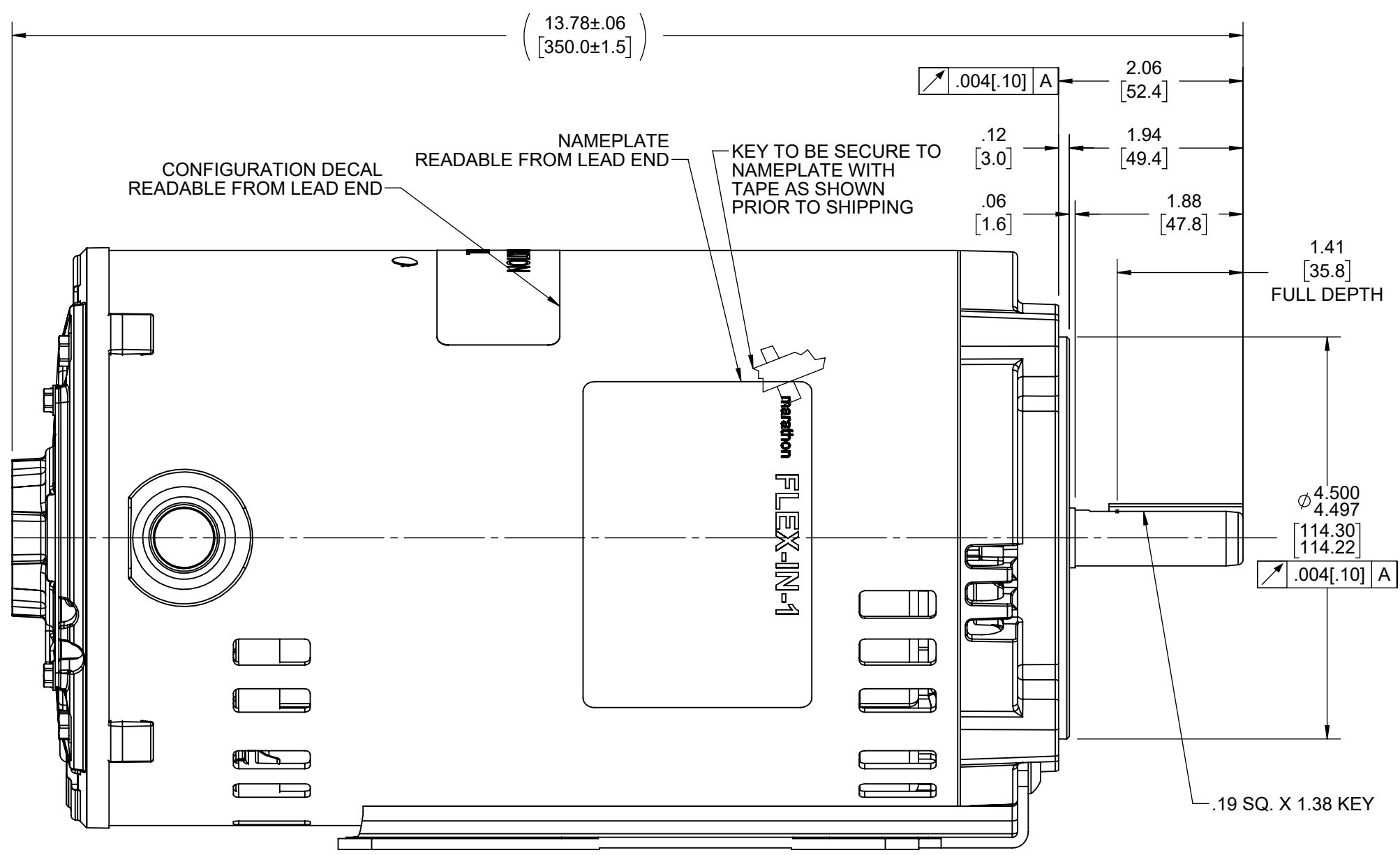
This is an uncontrolled document once printed or downloaded and is subject to change without notice. Date Created:11/30/2022

4

3

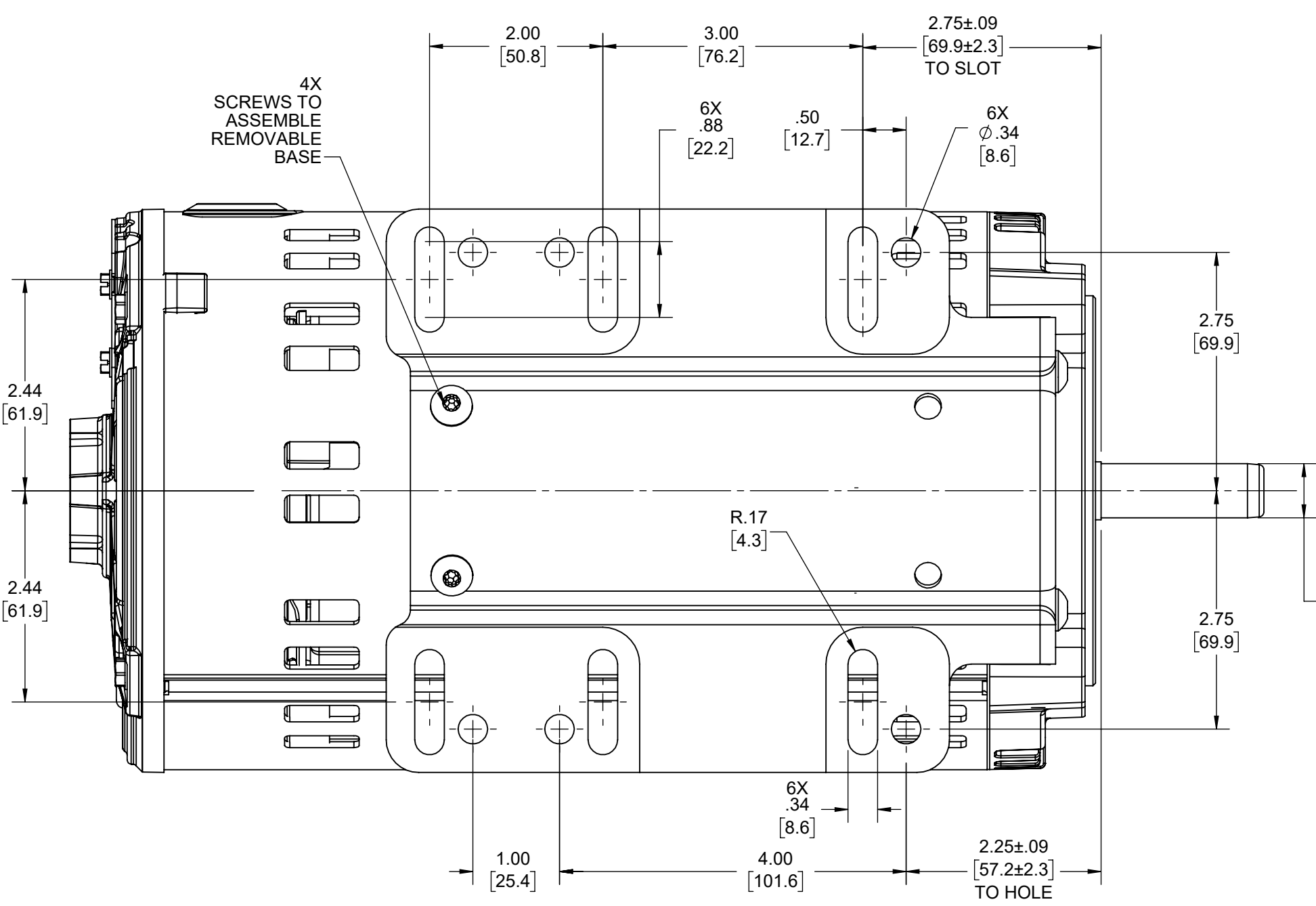
2

1

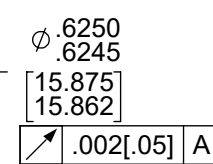
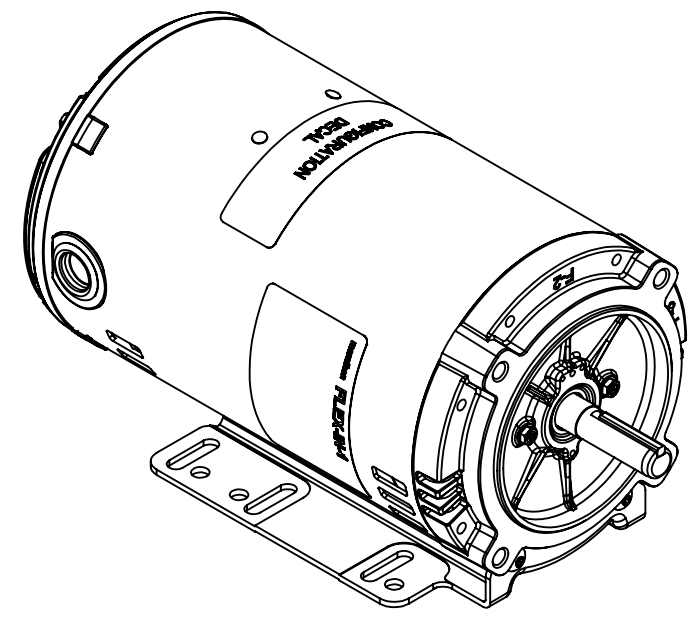
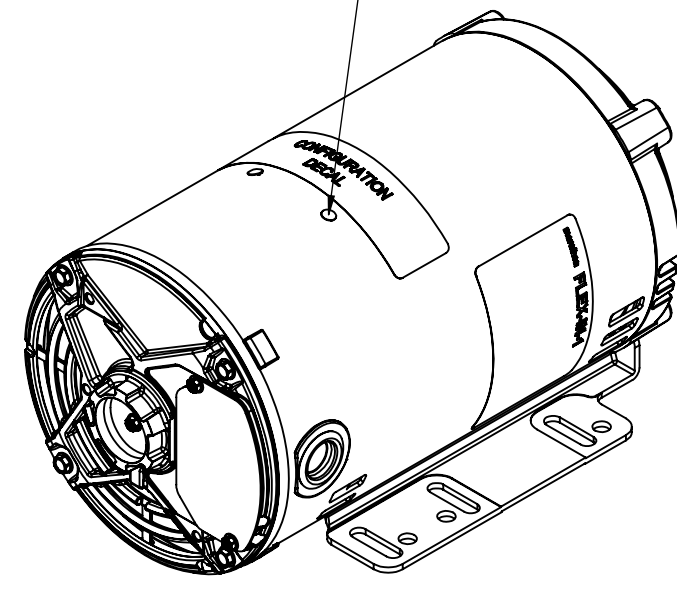


NOTES:

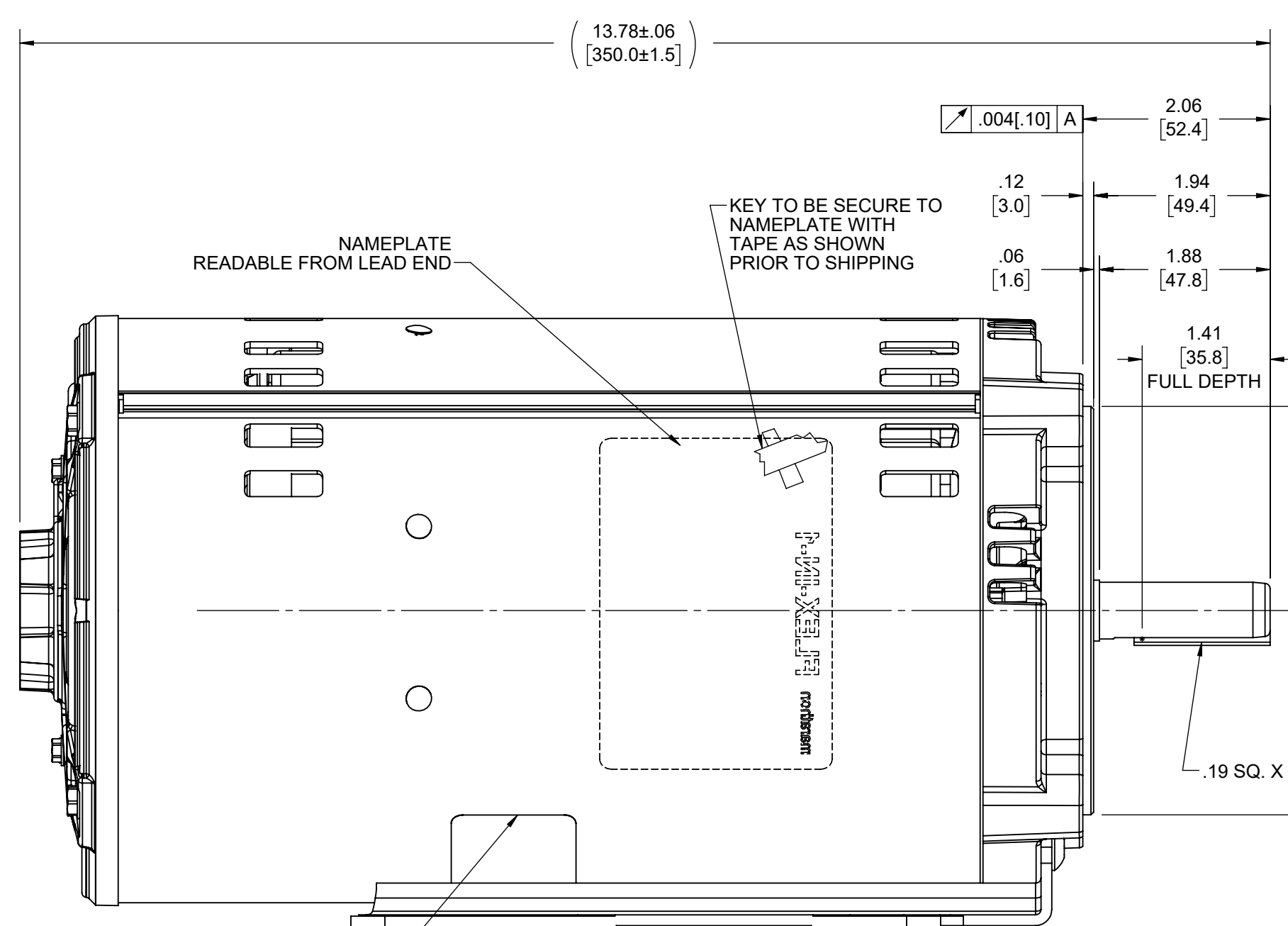
- 1) REMOVABLE / REPOSITIONAL BASE CAN BE REMOVED FOR C-FACE MOUNTING OR REPOSITIONED TO 12:00 OR 3:00 FACING SHAFT END OF MOTOR FOR NEMA F-2 OR F-3 CONDUIT BOX LOCATION.



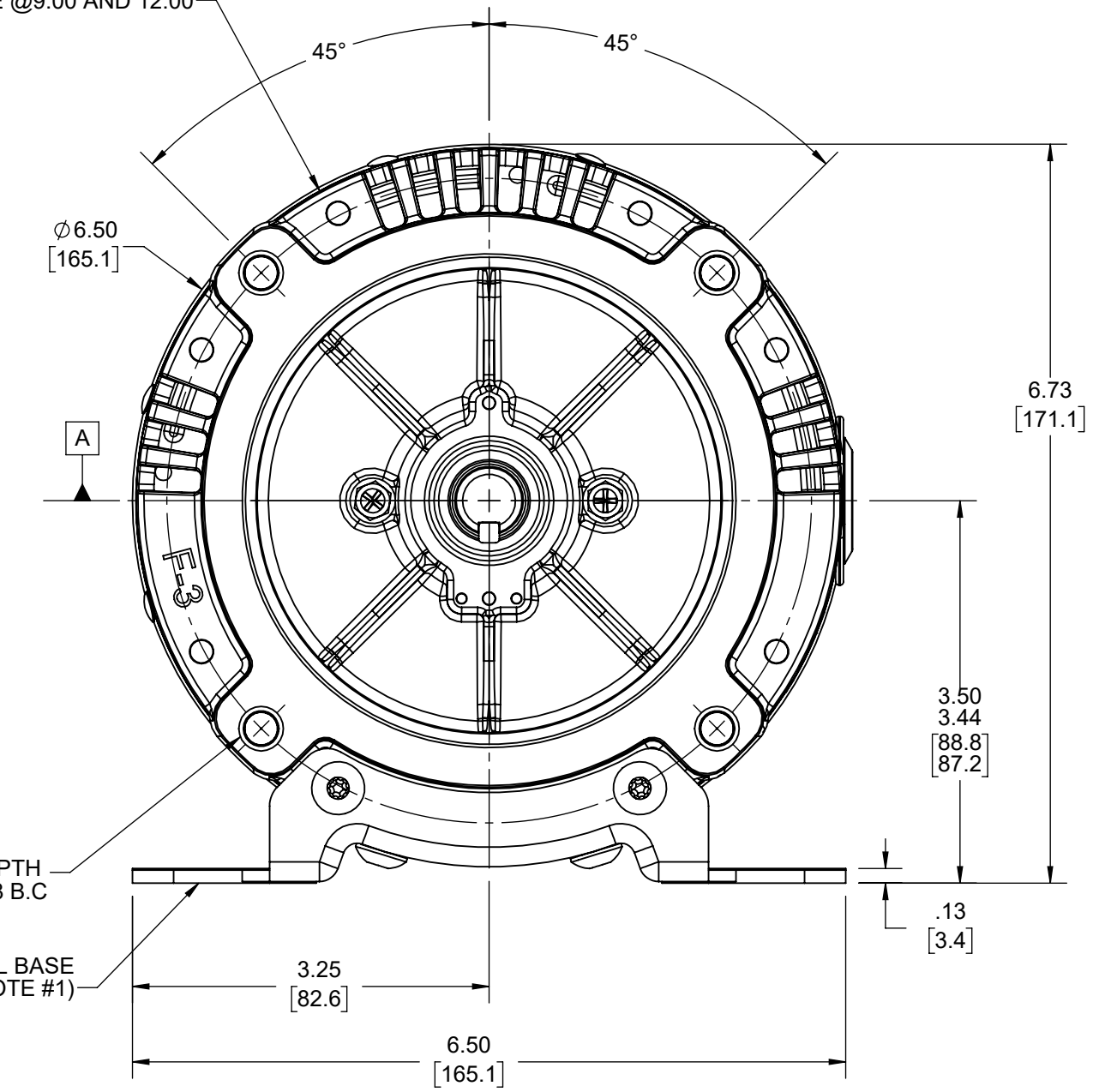
PLUGGED BASE MOUNTING HOLES FOR REPOSITIONING BASE @12:00 OR 3:00



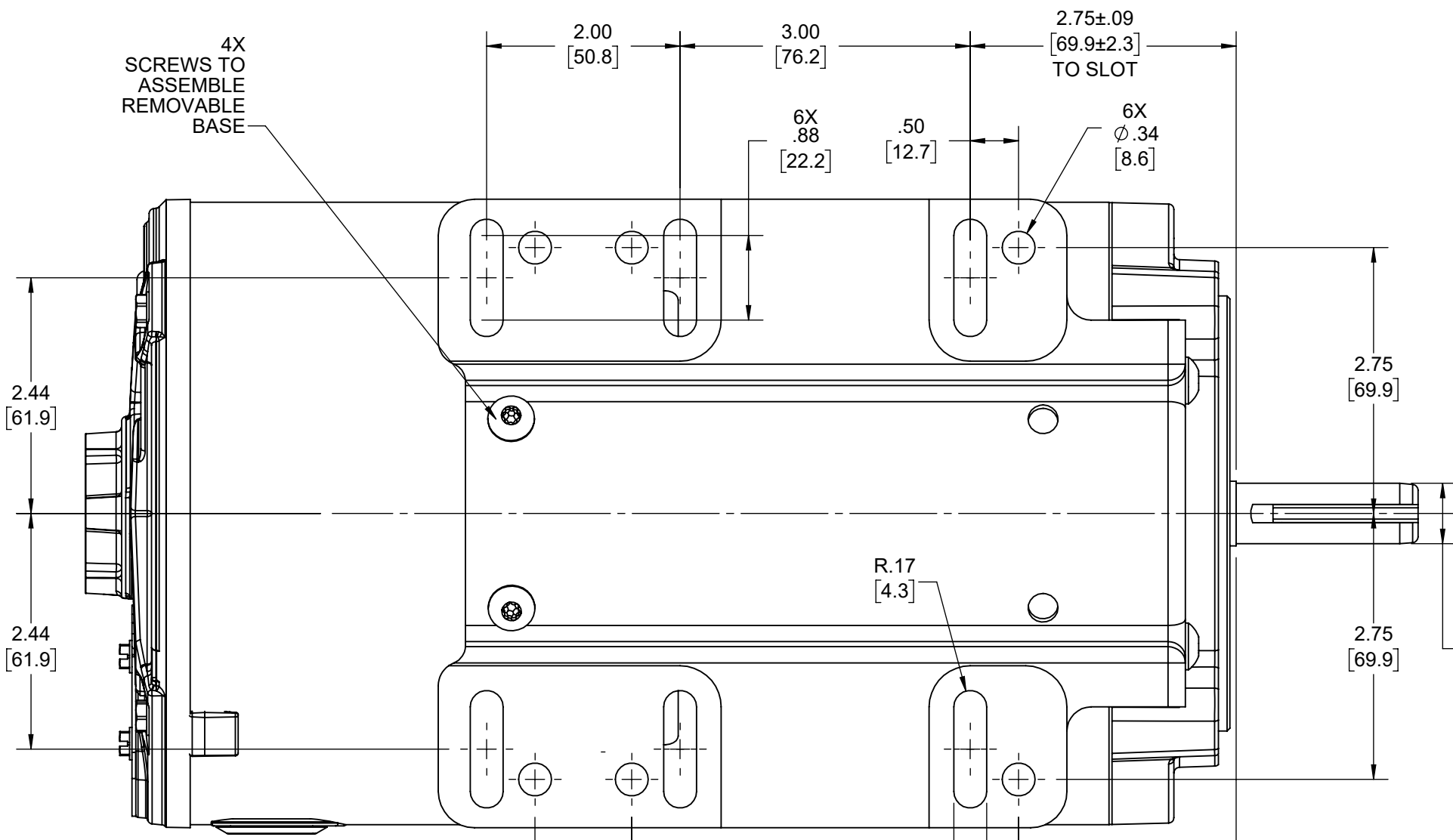
DRAWING REVISION C	REVISION BY SRIKANTH	REV DATE/Ø DATE 10/3/2022	TOLERANCES (EXCEPT AS NOTED): DEC. INCH mm ANGLE		DRAWN BY PRASHANTH	Regal Beloit America, Inc.
REQUEST NUMBER	APPROVED BY PVR	DATE 10/3/2022	.X ±0.1 [±3]	±0.5°	DATE 07/19/2022	
REQUEST NUMBER DESCRIPTION ADDED DECAL AND UPDATED NAMEPLATE			.XX ±0.02 [±0.5]		APPROVED BY PRADEEP	DESCRIPTION OUTLINE
COPYRIGHT (PER REVISION DATE) REGAL BELOIT AMERICA, INC. ALL RIGHTS RESERVED. PROPRIETARY AND CONFIDENTIAL INFORMATION - THIS DOCUMENT IS THE PROPERTY OF REGAL BELOIT AMERICA, INC. ("OWNER") AND CONTAINS OWNER'S PROPRIETARY INFORMATION. ANY PERSON, CORPORATION OR OTHER FIRM RECEIVING IT IS DEEMED, BY RECEIVING IT, TO AGREE THAT IT, AND/OR ANY PART OF IT, SHALL NOT BE DISCLOSED TO ANY PERSON, CORPORATION OR OTHER ENTITY, DUPLICATED, AND/OR USED, EXCEPT AS EXPRESSLY APPROVED IN WRITING IN ADVANCE BY OWNER. THIS DOCUMENT SHALL BE RETURNED TO OWNER UPON REQUEST. IT MAY BE SUBJECT TO CERTAIN RESTRICTIONS UNDER APPLICABLE EXPORT CONTROL LAWS AND REGULATIONS.			.XXX ±0.005 [±0.13]		DATE 07/19/2022	56-140FR, DP, C-FACE, BOLT ON
			.XXXX ±0.0005 [±0.013]		REFERENCE	MATERIAL
			REMOVE BURRS & BREAK SHARP EDGES: .003/.015 [Ø8/.38] X 45°		THIRD ANGLE PROJECTION	DRAWING NUMBER OL56100846-001
			CORNER FILLETS: R.02 [Ø.5]		SIZE C	SHEET 1 OF 3
			MACHINED SURFACES: .125 INCH √ mm 3.2			



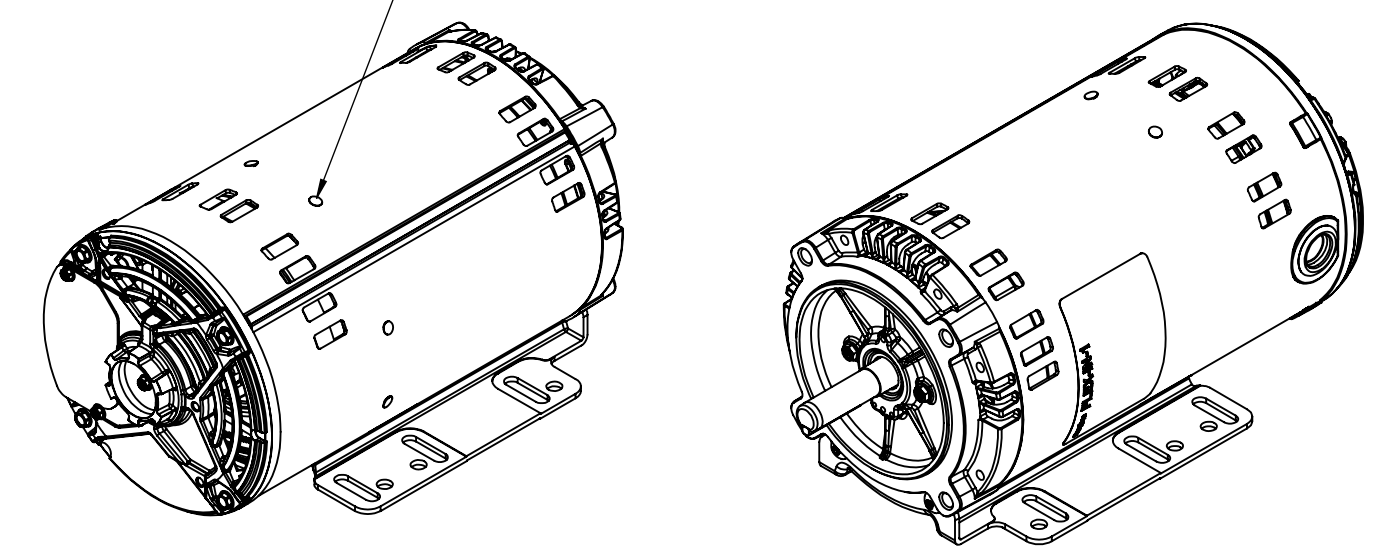
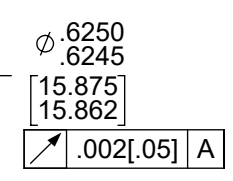
BASE MOUNTING HOLES FOR REPOSITIONING BASE @9:00 AND 12:00



- NOTES:
- 1) REMOVABLE / REPOSITIONAL BASE CAN BE REMOVED FOR C-FACE MOUNTING OR REPOSITIONED TO 12:00 OR 9:00 FACING SHAFT END OF MOTOR FOR NEMA F-1 OR F-3 CONDUIT BOX LOCATION.

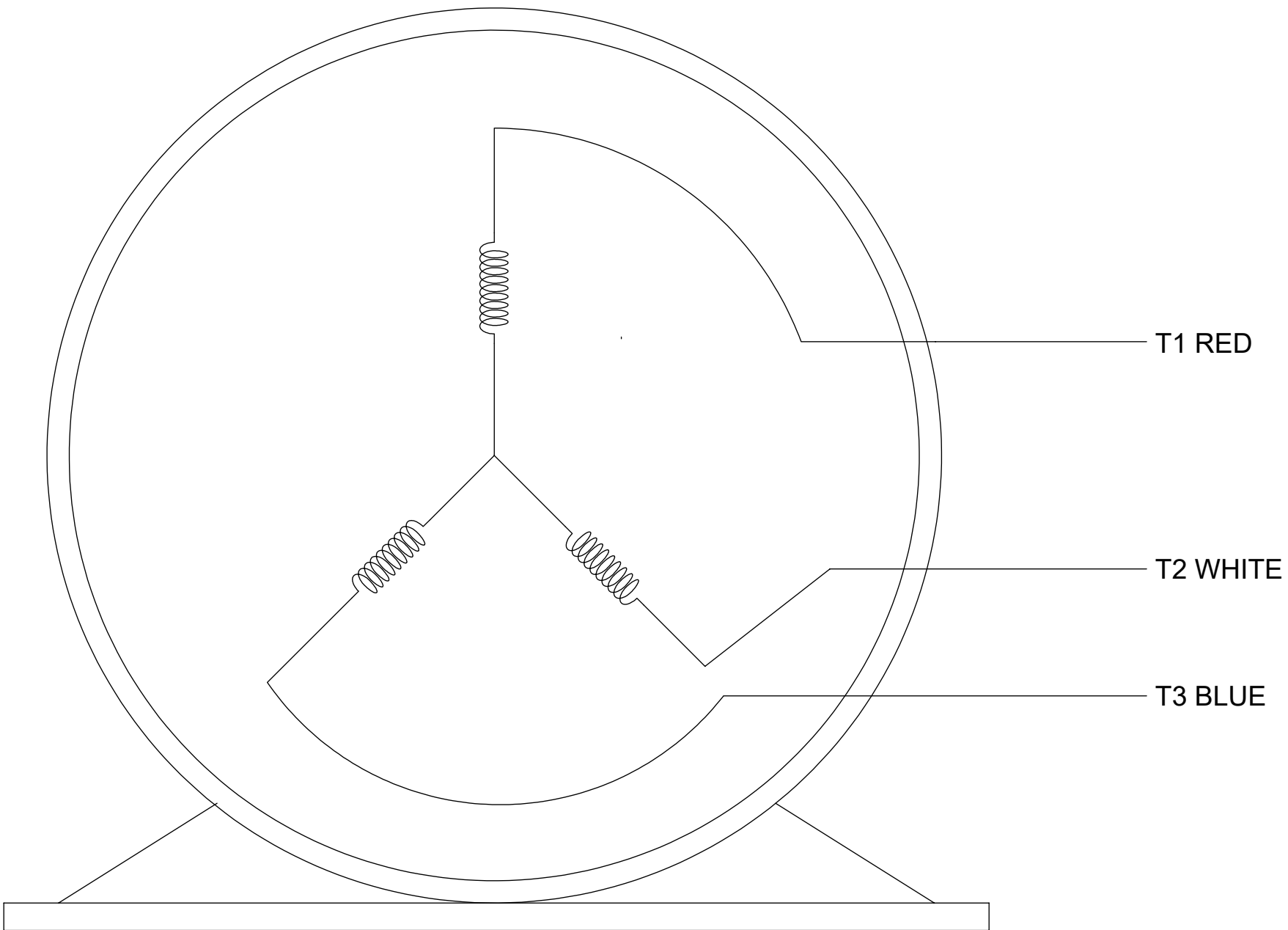


PLUGGED BASE MOUNTING HOLES FOR REPOSITIONING BASE @9:00 OR 12:00



DRAWING REVISION C	REVISION BY SRIKANTH	REV DATE/DATE 10/3/2022	TOLERANCES (EXCEPT AS NOTED): DEC. INCH mm ANGLE		DRAWN BY PRASHANTH	Regal Beloit America, Inc.
REQUEST NUMBER	APPROVED BY PVR	DATE 10/3/2022	.X ±0.1 [±3]	±0.5°	DATE 07/19/2022	
REQUEST NUMBER DESCRIPTION ADDED DECAL AND UPDATED NAMEPLATE			.XX ±0.02 [±0.5]		APPROVED BY PRADEEP	DESCRIPTION OUTLINE
<small>COPYRIGHT (PER REVISION DATE) REGAL BELOIT AMERICA, INC. ALL RIGHTS RESERVED. PROPRIETARY AND CONFIDENTIAL INFORMATION - THIS DOCUMENT IS THE PROPERTY OF REGAL BELOIT AMERICA, INC. (OWNER) AND CONTAINS OWNER'S PROPRIETARY INFORMATION. ANY PERSON, CORPORATION OR OTHER FIRM RECEIVING IT IS DEEMED, BY RECEIVING IT, TO AGREE THAT IT, AND/OR ANY PART OF IT, SHALL NOT BE DISCLOSED TO ANY PERSON, CORPORATION OR OTHER ENTITY, DUPLICATED, AND/OR USED, EXCEPT AS EXPRESSLY APPROVED IN WRITING IN ADVANCE BY OWNER. THIS DOCUMENT SHALL BE RETURNED TO OWNER UPON REQUEST. IT MAY BE SUBJECT TO CERTAIN RESTRICTIONS UNDER APPLICABLE EXPORT CONTROL LAWS AND REGULATIONS.</small>			.XXX ±0.005 [±0.13]		DATE 07/19/2022	56-140FR, DP, C-FACE, BOLT ON
			.XXXX ±0.0005 [±0.013]		REFERENCE	MATERIAL
			REMOVE BURRS & BREAK SHARP EDGES: .003/.015 [.08/.38] X 45°		THIRD ANGLE PROJECTION	DRAWING NUMBER OL56100846-001
			CORNER FILLETS: R.02 [.5]		SIZE C	SHEET 2 OF 3
			MACHINED SURFACES: ±.125 / mm			
			mm DIMENSIONS IN [BRACKETS] ARE FOR REFERENCE ONLY			

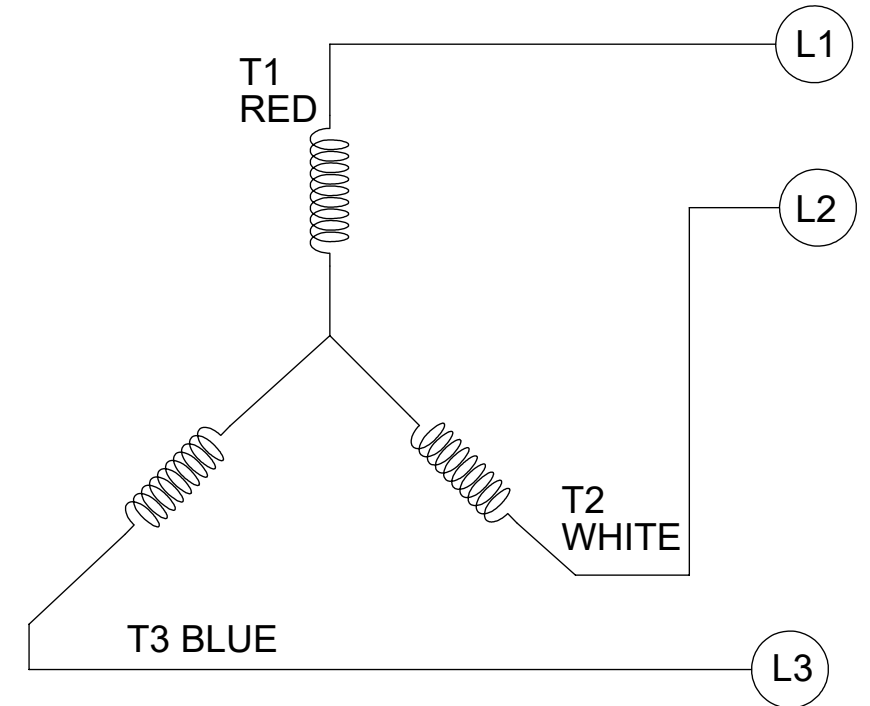
SINGLE VOLTAGE-THREE PHASE WITHOUT PROTECTOR



VIEW OF TERMINAL END

CCW-SINGLE VOLTAGE

001



NOTES:

1. TO REVERSE ROTATION, INTERCHANGE ANY TWO LINE CONNECTIONS TO L1, L2, OR L3.
2. CONNECTION DIAGRAM-NAMEPLATE DD10213-001

DRAWING REVISION B	REVISION BY PRASHANTH	REV DATE/© DATE 06/22/2022	TOLERANCES (EXCEPT AS NOTED): DEC. INCH mm ANGLE .X ±0.1 [±3] ±0.5° .XX ±0.01 [±0.3] .XXX ±0.005 [±0.13] .XXXX ±0.0005 [±0.013]	DRAWN BY SHESHI	Regal Beloit America, Inc.
REQUEST NUMBER NMR-0213855	APPROVED BY BHARGAVI	DATE 06/22/2022		DATE 03/07/2019	
REQUEST NUMBER DESCRIPTION CHANGED NOTES FROM LOW TO SINGLE VOLTAGE			REMOVE BURRS & BREAK SHARP EDGES: .003/.015 [.08/.38] X 45° CORNER FILLETS: R.02 [.5] MACHINED SURFACES: 125/3.2 INCH/mm	APPROVED BY BHARGAVI	DESCRIPTION CONN DIAGRAM-EXTERNAL
COPYRIGHT (PER REVISION DATE) REGAL BELOIT AMERICA, INC. ALL RIGHTS RESERVED. PROPRIETARY AND CONFIDENTIAL INFORMATION - THIS DOCUMENT IS THE PROPERTY OF REGAL BELOIT AMERICA, INC. ("OWNER") AND CONTAINS OWNER'S PROPRIETARY INFORMATION. ANY PERSON, CORPORATION OR OTHER FIRM RECEIVING IT IS DEEMED, BY RECEIVING IT, TO AGREE THAT IT, AND/OR ANY PART OF IT, SHALL NOT BE DISCLOSED TO ANY PERSON, CORPORATION OR OTHER ENTITY, DUPLICATED, AND/OR USED, EXCEPT AS EXPRESSLY APPROVED IN WRITING IN ADVANCE BY OWNER. THIS DOCUMENT SHALL BE RETURNED TO OWNER UPON REQUEST. IT MAY BE SUBJECT TO CERTAIN RESTRICTIONS UNDER APPLICABLE EXPORT CONTROL LAWS AND REGULATIONS.			THIRD ANGLE PROJECTION	REFERENCE CDTS139	MATERIAL
			mm DIMENSIONS IN [BRACKETS] ARE FOR REFERENCE ONLY	THIRD ANGLE PROJECTION	PROCESS/FINISH
				SIZE B	DRAWING NUMBER CDTS141
					SHEET 1 OF 1