

PRODUCT INFORMATION PACKET

Model No: 056T34F15669

Catalog No: FX34BK002

FLEX-IN-1™ General Purpose Motor, 0.75 HP, 3 Ph, 60 Hz, 208-230/460 V, 3600 RPM, 56C Frame, TEFC



Regal and Marathon are trademarks of Regal Rexnord Corporation or one of its affiliated companies.

©2022 Regal Rexnord Corporation, All Rights Reserved. MC017097E



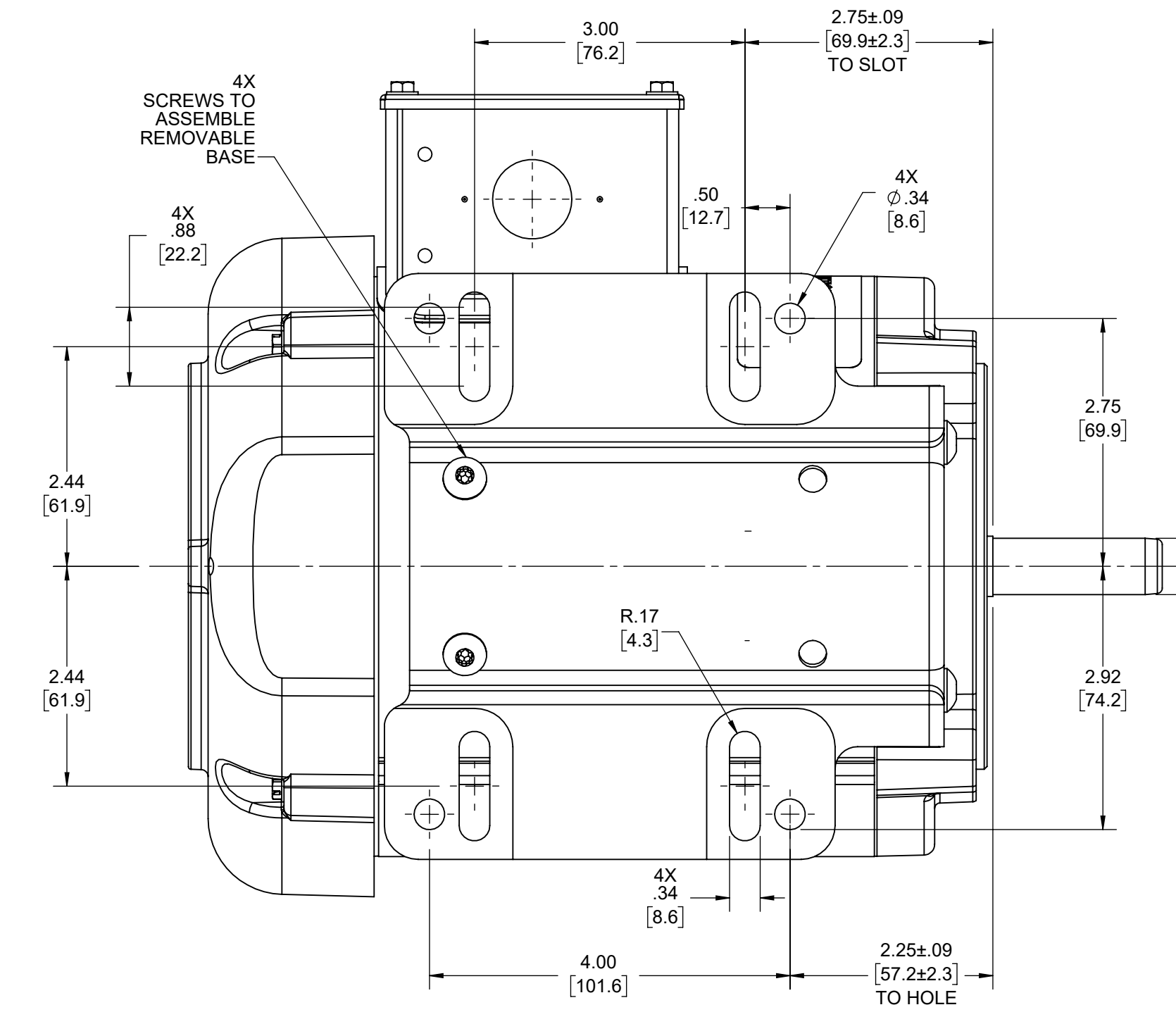
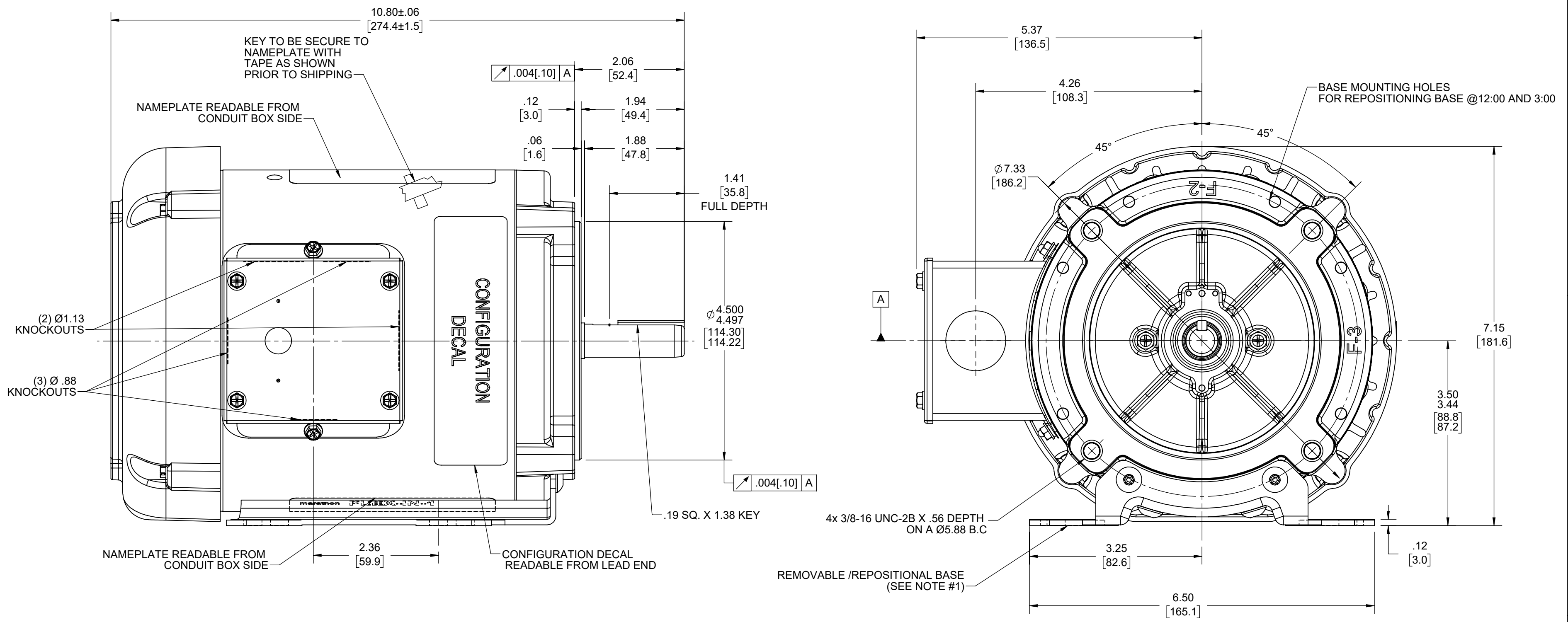
Nameplate Specifications

Output HP	0.75 Hp	Output KW	0.56 kW
Frequency	60 Hz	Voltage	208-230/460 V
Current	3.0-3.2/1.6 A	Speed	3450 rpm
Service Factor	1.15	Phase	3
Efficiency	74 %	Power Factor	69.1
Duty	Continuous	Insulation Class	F
Design Code	B	KVA Code	N
Frame	56C	Enclosure	Totally Enclosed Fan Cooled
Thermal Protection	No Protection	Ambient Temperature	40 °C
Drive End Bearing Size	6203	Opp Drive End Bearing Size	6203
UL	Recognized	CSA	Y
CE	Y	IP Code	43
Number of Speeds	1		

Technical Specifications

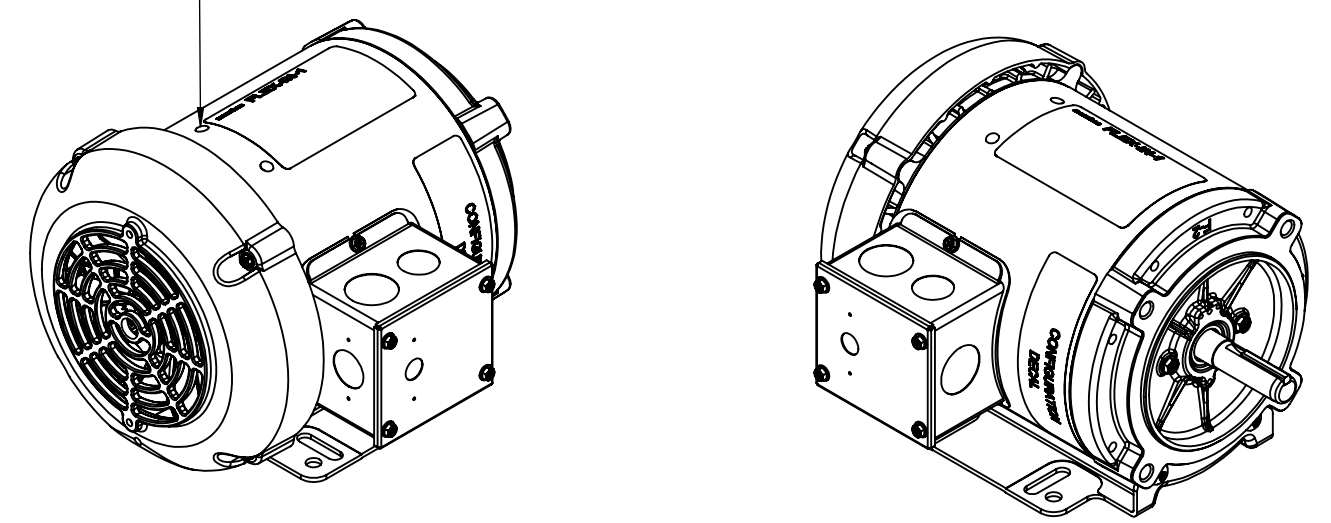
Electrical Type	Squirrel Cage Inverter Rated	Starting Method	Line Or Inverter
Poles	2	Rotation	Reversible
Resistance Main	5.66 Ohms	Mounting	Bolt-on Base
Motor Orientation	Horizontal Or Up Or Down	Drive End Bearing	Ball
Opp Drive End Bearing	Ball	Frame Material	Rolled Steel
Shaft Type	NEMA 56	Shaft Diameter	0.625 in
Assembly/Box Mounting	F1 ONLY	Inverter Load	CONSTANT 10:1
Outline Drawing	OL56100824-001	Connection Drawing	CDTD127

This is an uncontrolled document once printed or downloaded and is subject to change without notice. Date Created:11/30/2022

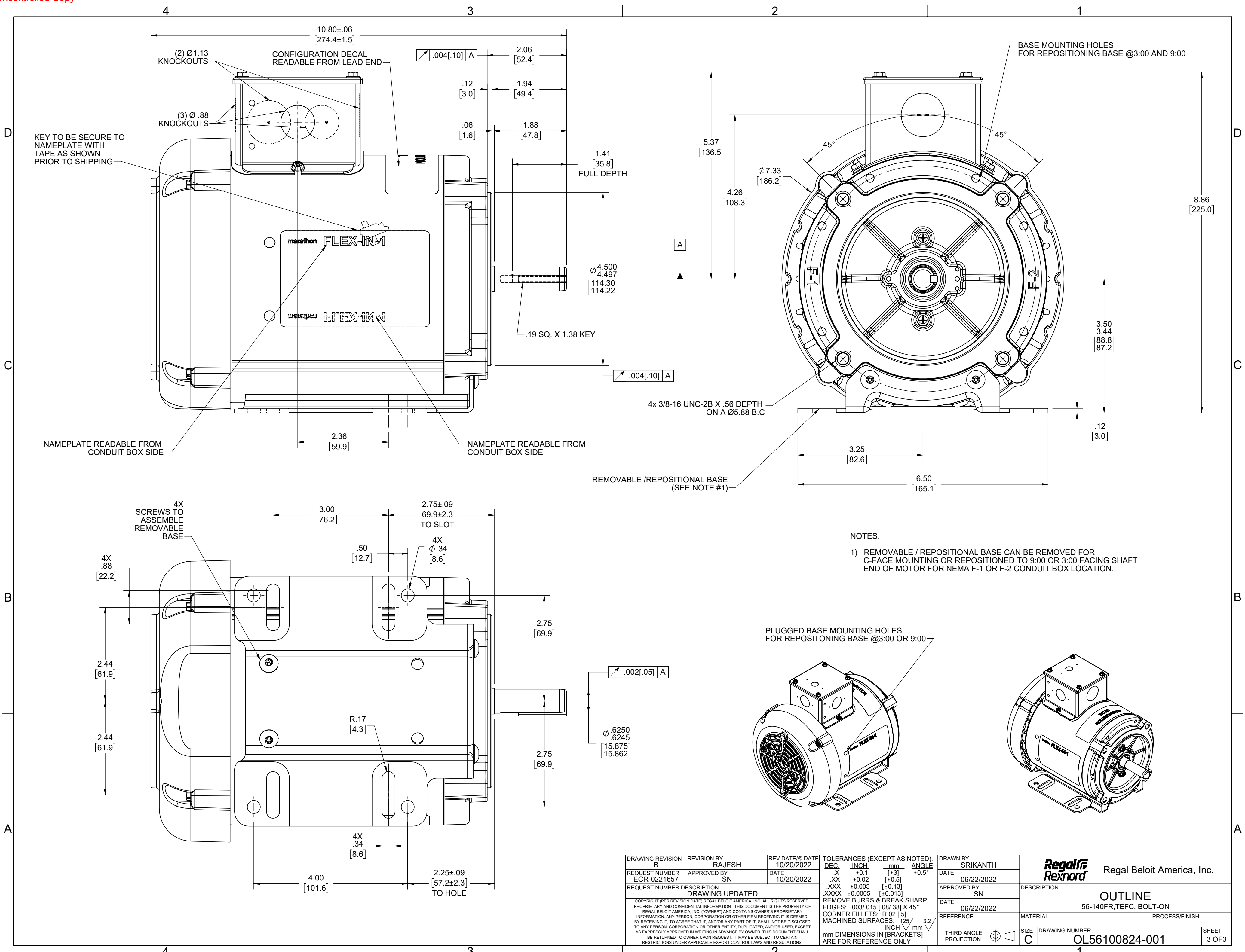


NOTES:
 1) REMOVABLE / REPOSITIONAL BASE CAN BE REMOVED FOR C-FACE MOUNTING OR REPOSITIONED TO 12:00 OR 3:00 FACING SHAFT END OF MOTOR FOR NEMA F-2 OR F-3 CONDUIT BOX LOCATION.

PLUGGED BASE MOUNTING HOLES FOR REPOSITING BASE @12:00 OR 3:00



DRAWING REVISION B	REVISION BY RAJESH	REV DATE/© DATE 10/20/2022	TOLERANCES (EXCEPT AS NOTED):				DRAWN BY SRIKANTH	Regal Rexnord Regal Beloit America, Inc.	
REQUEST NUMBER ECR-0221657	APPROVED BY SN	DATE 10/20/2022	DEC.	INCH	mm	ANGLE	DATE 06/22/2022	DESCRIPTION	
REQUEST NUMBER DESCRIPTION DRAWING UPDATED			.X	±0.1	[±3]	±0.5°	APPROVED BY SN	OUTLINE	
<small>COPYRIGHT (PER REVISION DATE) REGAL BELOIT AMERICA, INC. ALL RIGHTS RESERVED. PROPRIETARY AND CONFIDENTIAL INFORMATION - THIS DOCUMENT IS THE PROPERTY OF REGAL BELOIT AMERICA, INC. ("OWNER") AND CONTAINS OWNER'S PROPRIETARY INFORMATION. ANY PERSON, CORPORATION OR OTHER FIRM RECEIVING IT IS DEEMED, BY RECEIVING IT, TO AGREE THAT IT, AND/OR ANY PART OF IT, SHALL NOT BE DISCLOSED TO ANY PERSON, CORPORATION OR OTHER ENTITY, DUPLICATED, AND/OR USED, EXCEPT AS EXPRESSLY APPROVED IN WRITING IN ADVANCE BY OWNER. THIS DOCUMENT SHALL BE RETURNED TO OWNER UPON REQUEST. IT MAY BE SUBJECT TO CERTAIN RESTRICTIONS UNDER APPLICABLE EXPORT CONTROL LAWS AND REGULATIONS.</small>			.XX	±0.02	[±0.5]		DATE 06/22/2022	56-140FR,TEFC, BOLT-ON	
			.XXX	±0.005	[±0.13]		REFERENCE	MATERIAL	PROCESS/FINISH
			.XXXX	±0.0005	[±0.013]		REMOVE BURRS & BREAK SHARP EDGES: .003/.015 [.08/.38] X 45°	DRAWING NUMBER	
			MACHINED SURFACES: .125/ mm 3.2		mm DIMENSIONS IN [BRACKETS] INCH/mm ARE FOR REFERENCE ONLY		THIRD ANGLE PROJECTION	SIZE C	OL56100824-001



- NOTES:
- 1) REMOVABLE / REPOSITIONAL BASE CAN BE REMOVED FOR C-FACE MOUNTING OR REPOSITIONED TO 9:00 OR 3:00 FACING SHAFT END OF MOTOR FOR NEMA F-1 OR F-2 CONDUIT BOX LOCATION.

DRAWING REVISION B	REVISION BY RAJESH	REV DATE/@ DATE 10/20/2022	TOLERANCES (EXCEPT AS NOTED):				DRAWN BY SRIKANTH	Regal Rexnord Regal Beloit America, Inc.	
REQUEST NUMBER ECR-0221657	APPROVED BY SN	DATE 10/20/2022	DEC.	INCH	mm	ANGLE	DATE 06/22/2022	DESCRIPTION	
REQUEST NUMBER DESCRIPTION DRAWING UPDATED			.X	±0.1	[+3]	±0.5°	APPROVED BY SN	OUTLINE	
<small>COPYRIGHT (PER REVISION DATE) REGAL BELOIT AMERICA, INC. ALL RIGHTS RESERVED. PROPRIETARY AND CONFIDENTIAL INFORMATION - THIS DOCUMENT IS THE PROPERTY OF REGAL BELOIT AMERICA, INC. ("OWNER") AND CONTAINS OWNER'S PROPRIETARY INFORMATION. ANY PERSON, CORPORATION OR OTHER FIRM RECEIVING IT IS DEEMED, BY RECEIVING IT, TO AGREE THAT IT, AND/OR ANY PART OF IT, SHALL NOT BE DISCLOSED TO ANY PERSON, CORPORATION OR OTHER ENTITY, DUPLICATED, AND/OR USED, EXCEPT AS EXPRESSLY APPROVED IN WRITING IN ADVANCE BY OWNER. THIS DOCUMENT SHALL BE RETURNED TO OWNER UPON REQUEST. IT MAY BE SUBJECT TO CERTAIN RESTRICTIONS UNDER APPLICABLE EXPORT CONTROL LAWS AND REGULATIONS.</small>			.XX	±0.02	[±0.5]		DATE 06/22/2022	56-140FR,TEFC, BOLT-ON	
			.XXX	±0.005	[±0.13]		REFERENCE	MATERIAL	PROCESS/FINISH
			.XXXX	±0.0005	[±0.013]				
			REMOVE BURRS & BREAK SHARP EDGES: .003/.015 [.08/.38] X 45°				THIRD ANGLE PROJECTION	SIZE C	DRAWING NUMBER OL56100824-001
			CORNER FILLETS: R.02 [.5]						
			MACHINED SURFACES: .125/ mm 3.2						
			mm DIMENSIONS IN [BRACKETS] ARE FOR REFERENCE ONLY						
								SHEET 3 OF 3	

4

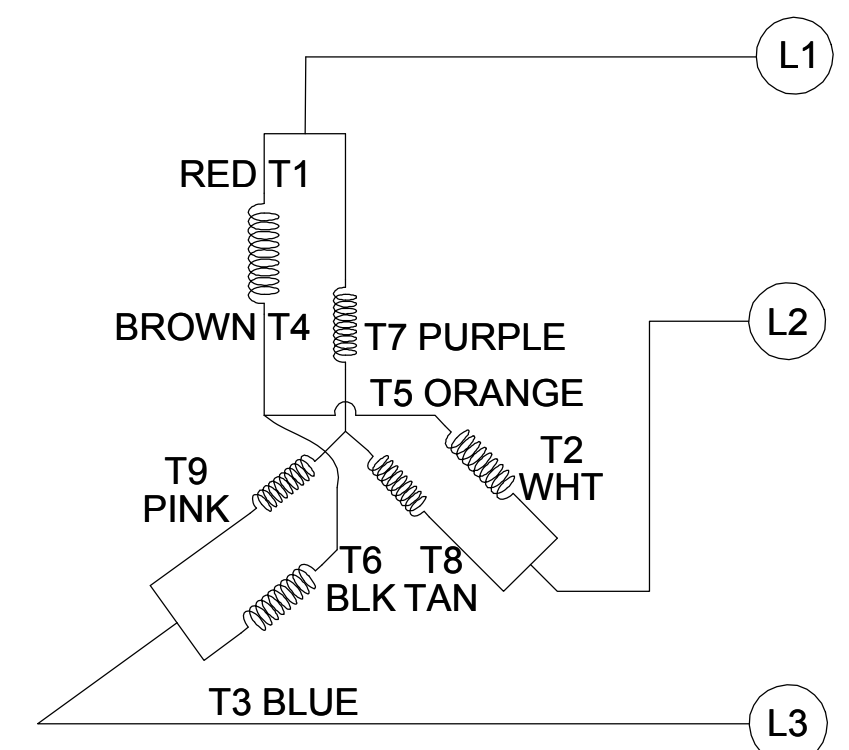
3

2

1

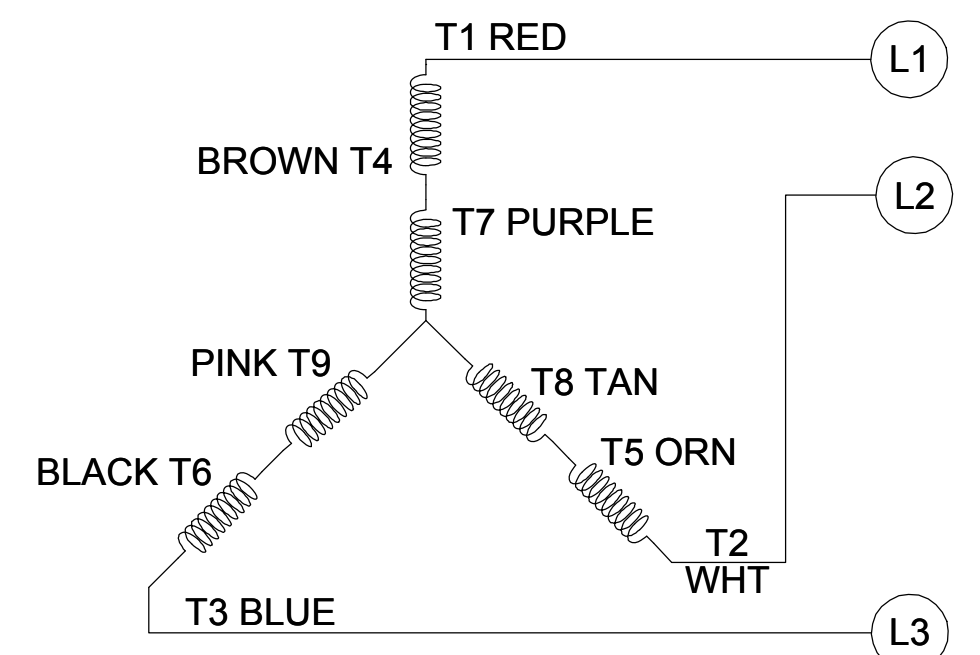
001

CCW LOW VOLTAGE



002

CCW HIGH VOLTAGE

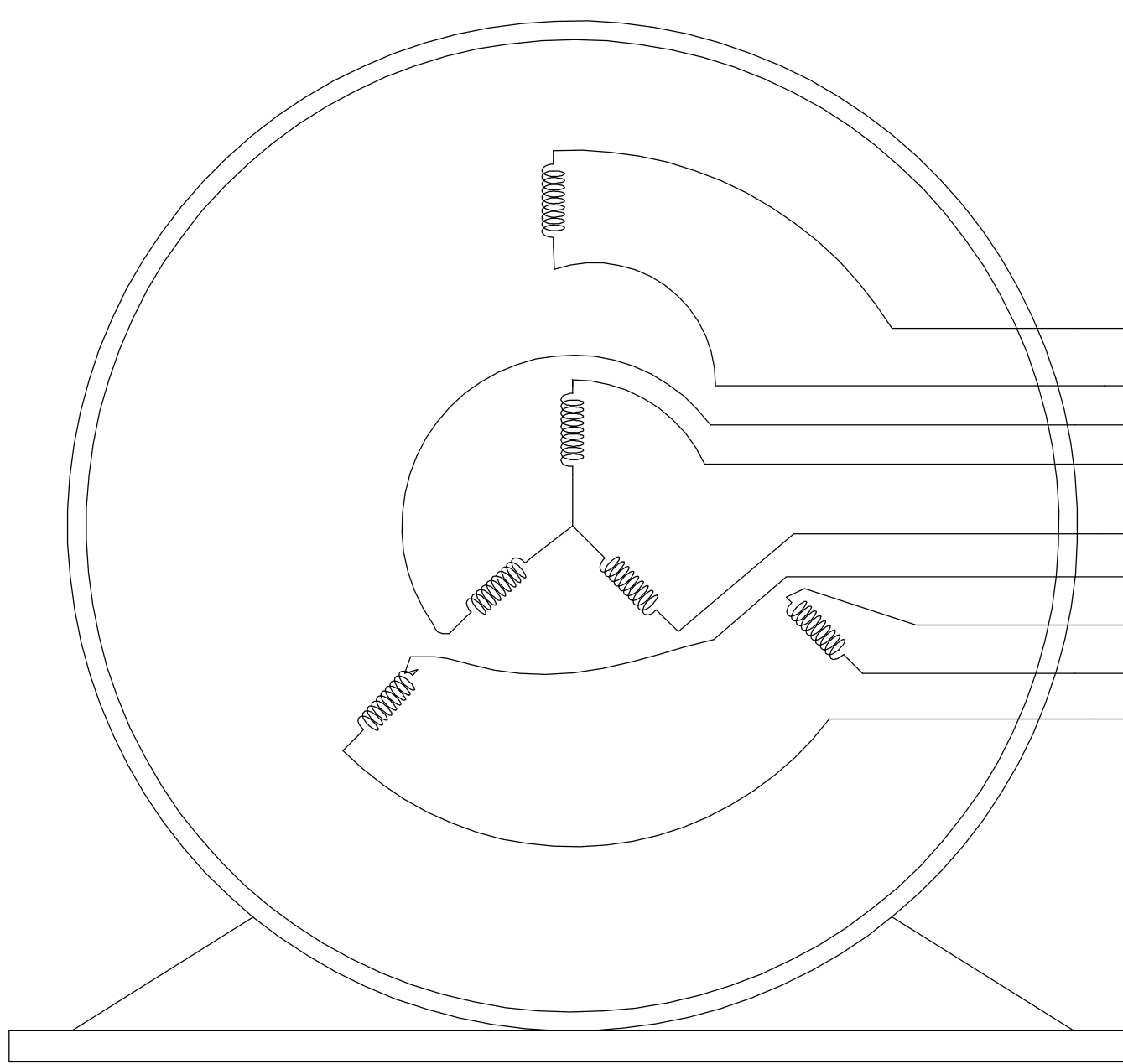


B

B

A

A



- T1 RED
- T4 BROWN
- T9 PINK
- T7 PURPLE
- T8 TAN
- T6 BLACK
- T5 ORANGE
- T2 WHITE
- T3 BLUE

VIEW OF TERMINAL END

- NOTE:
1. TO REVERSE ROTATION, INTERCHANGE ANY TWO LINE CONNECTIONS TO L1, L2, OR L3.
 2. CONNECTION DIAGRAM-NAMEPLATE DD10123-001 - CCWLE DD10199-001 - CWLE

DRAWING REVISION D	REVISION BY SHESHI	DATE 01/11/2019
ECO ECO-0159881	APPROVED BY CD	DATE 01/11/2019
ECO DESCRIPTION ADDED DD10199-001		
<small>COPYRIGHT REGAL BELOIT AMERICA, INC. ALL RIGHTS RESERVED. PROPRIETARY AND CONFIDENTIAL INFORMATION - THIS DOCUMENT IS THE PROPERTY OF REGAL BELOIT AMERICA, INC. ("OWNER") AND CONTAINS OWNER'S PROPRIETARY INFORMATION. ANY PERSON, CORPORATION OR OTHER FIRM RECEIVING IT IS DEEMED, BY RECEIVING IT, TO AGREE THAT IT, AND/OR ANY PART OF IT, SHALL NOT BE DISCLOSED TO ANY PERSON, CORPORATION OR OTHER ENTITY, DUPLICATED, AND/OR USED, EXCEPT AS EXPRESSLY APPROVED IN WRITING IN ADVANCE BY OWNER. THIS DOCUMENT SHALL BE RETURNED TO OWNER UPON REQUEST. IT MAY BE SUBJECT TO CERTAIN RESTRICTIONS UNDER APPLICABLE EXPORT CONTROL LAWS AND REGULATIONS.</small>		

TOLERANCES UNLESS OTHERWISE SPECIFIED:

DEC.	INCH	mm	ANGLE
.X	±0.1	[±2.5]	±0.5°
.XX	±0.01	[±0.25]	
.XXX	±0.005	[±0.127]	
.XXXX	±0.0005	[±0.0127]	

REMOVE BURRS & BREAK SHARP EDGES: .003/.015 [.076/.381]
CORNER FILLETS: .02 [.51]
MACHINED SURFACES: 125 INCH 3.2 mm

DRAWN BY G. RODRIGUEZ	DATE 12-01-2017
APPROVED BY J. A. MORENO	DATE 12-01-2017
REFERENCE CDTD103	
THIRD ANGLE PROJECTION	

Regal Beloit America, Inc.	
DESCRIPTION CONN DIAGRAM-EXTERNAL	
MATERIAL	PROCESS/FINISH
SIZE B	DRAWING NUMBER CDTD127
	SHEET 1 OF 1

4

3

2

1