

PRODUCT INFORMATION PACKET

Model No: 056T34F15670

Catalog No: FX34FK001

FLEX-IN-1™ General Purpose Motor, 0.75 HP, 3 Ph, 60 Hz, 575 V, 3600 RPM, 56C Frame, TEFC



Regal and Marathon are trademarks of Regal Rexnord Corporation or one of its affiliated companies.

©2022 Regal Rexnord Corporation, All Rights Reserved. MC017097E



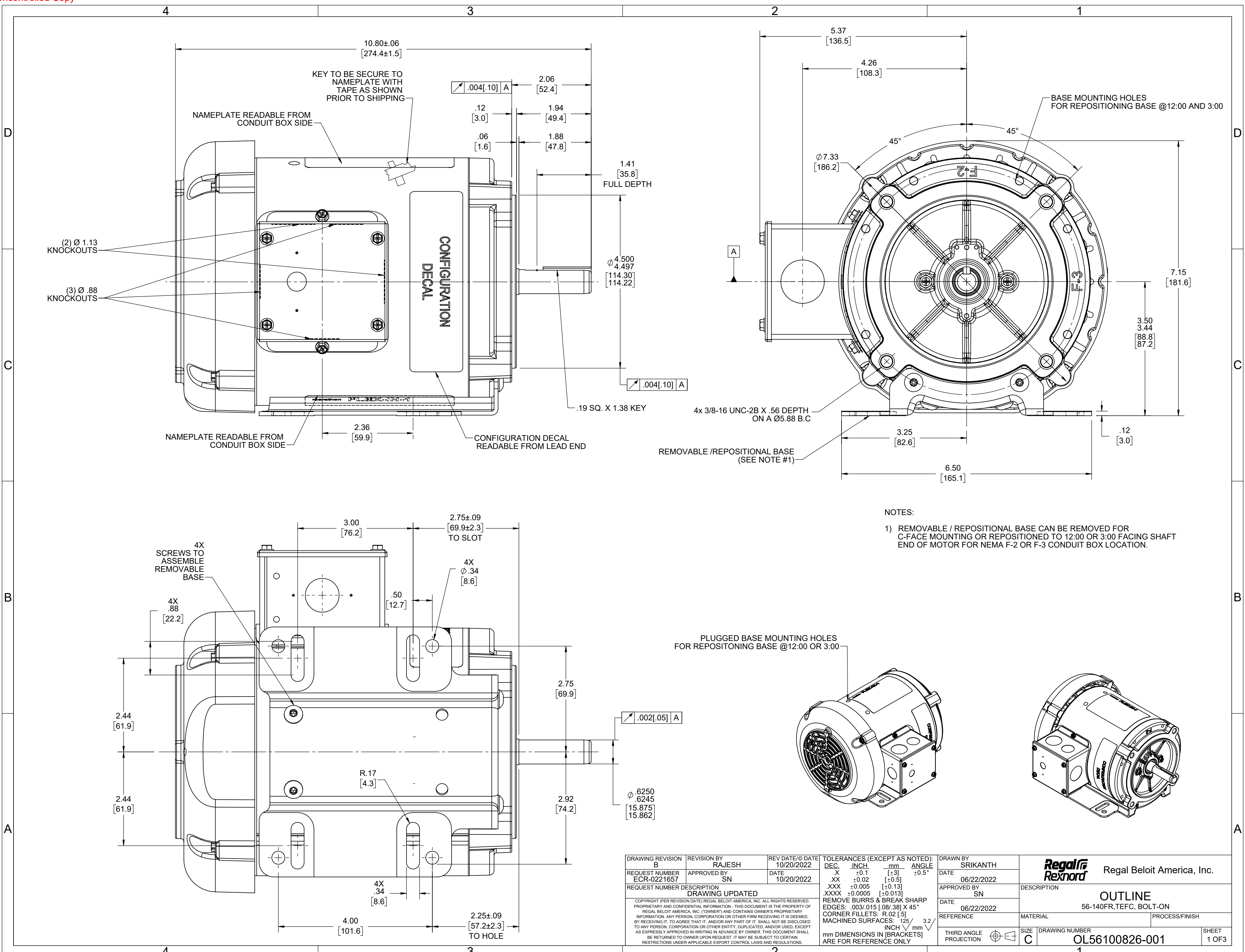
Nameplate Specifications

Output HP	0.75 Hp	Output KW	0.56 kW
Frequency	60 Hz	Voltage	575 V
Current	1.3 A	Speed	3450 rpm
Service Factor	1.15	Phase	3
Efficiency	74 %	Power Factor	69.1
Duty	Continuous	Insulation Class	F
Design Code	B	KVA Code	N
Frame	56C	Enclosure	Totally Enclosed Fan Cooled
Thermal Protection	No Protection	Ambient Temperature	40 °C
Drive End Bearing Size	6203	Opp Drive End Bearing Size	6203
UL	Recognized	CSA	Y
CE	Y	IP Code	43
Number of Speeds	1		

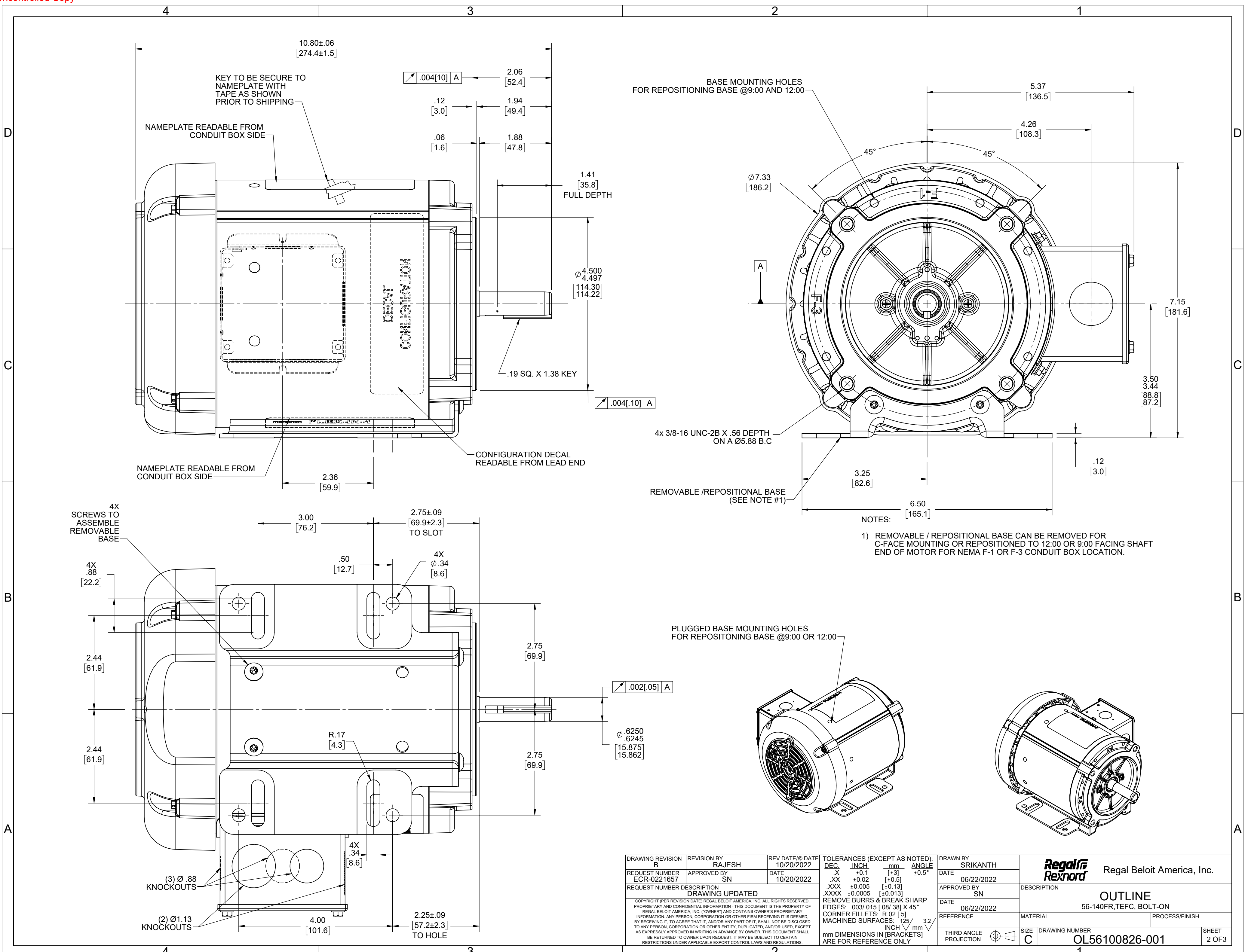
Technical Specifications

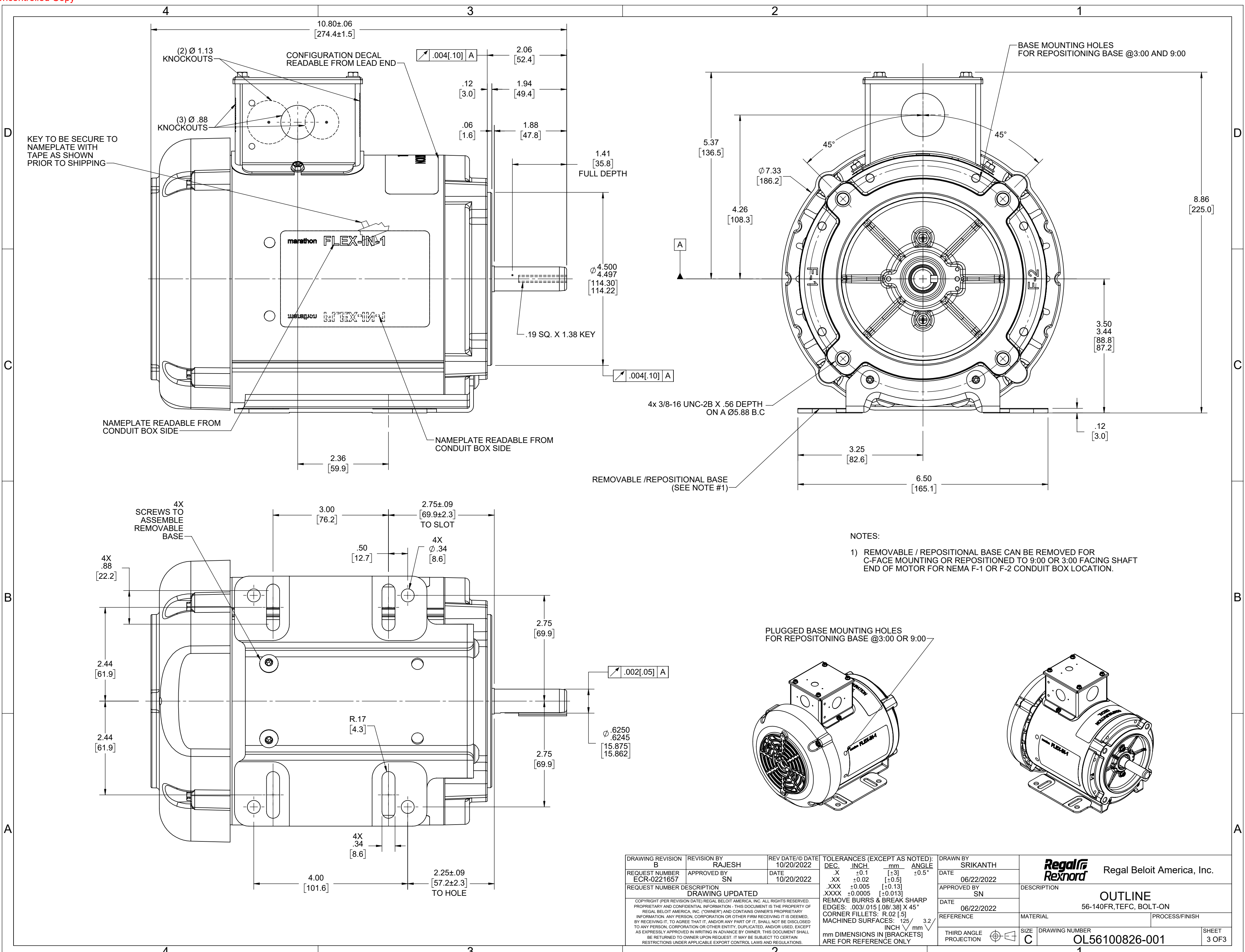
Electrical Type	Squirrel Cage Inverter Rated	Starting Method	Line Or Inverter
Poles	2	Rotation	Reversible
Resistance Main	5.66 Ohms	Mounting	Bolt-on Base
Motor Orientation	Horizontal Or Up Or Down	Drive End Bearing	Ball
Opp Drive End Bearing	Ball	Frame Material	Rolled Steel
Shaft Type	NEMA 56	Shaft Diameter	0.625 in
Assembly/Box Mounting	F1 ONLY	Inverter Load	CONSTANT 10:1
Connection Drawing	CDTS141	Outline Drawing	OL56100826-001

This is an uncontrolled document once printed or downloaded and is subject to change without notice. Date Created:11/30/2022



DRAWING REVISION B	REVISION BY RAJESH	REV DATE/© DATE 10/20/2022	TOLERANCES (EXCEPT AS NOTED):		DRAWN BY SRIKANTH	Regal Beloit America, Inc.
REQUEST NUMBER ECR-0221657	APPROVED BY SN	DATE 10/20/2022	DEC. .X ±0.1 [±3]	INCH .XX ±0.02 [±0.5]	DATE 06/22/2022	
REQUEST NUMBER DESCRIPTION DRAWING UPDATED			.XXX ±0.005 [±0.13]	mm .XXX ±0.005 [±0.13]	APPROVED BY SN	DESCRIPTION OUTLINE
COPYRIGHT (PER REVISION DATE) REGAL BELOIT AMERICA, INC. ALL RIGHTS RESERVED. PROPRIETARY AND CONFIDENTIAL INFORMATION - THIS DOCUMENT IS THE PROPERTY OF REGAL BELOIT AMERICA, INC. ("OWNER") AND CONTAINS OWNER'S PROPRIETARY INFORMATION. ANY PERSON, CORPORATION OR OTHER FIRM RECEIVING IT IS DEEMED, BY RECEIVING IT, TO AGREE THAT IT, AND/OR ANY PART OF IT, SHALL NOT BE DISCLOSED TO ANY PERSON, CORPORATION OR OTHER ENTITY, DUPLICATED, AND/OR USED, EXCEPT AS EXPRESSLY APPROVED IN WRITING IN ADVANCE BY OWNER. THIS DOCUMENT SHALL BE RETURNED TO OWNER UPON REQUEST. IT MAY BE SUBJECT TO CERTAIN RESTRICTIONS UNDER APPLICABLE EXPORT CONTROL LAWS AND REGULATIONS.			REMOVE BURRS & BREAK SHARP EDGES: .003/.015 [08/.38] X 45°	mm .XXX ±0.0005 [±0.013]	DATE 06/22/2022	DESCRIPTION 56-140FR,TEFC, BOLT-ON
			CORNER FILLETS: R.02 [5]	MACHINED SURFACES: .125/ mm 3.2	REFERENCE	MATERIAL
			mm DIMENSIONS IN [BRACKETS] ARE FOR REFERENCE ONLY	INCH √ mm	THIRD ANGLE PROJECTION	SIZE C
					DRAWING NUMBER	SHEET
					OL56100826-001	1 OF 3





KEY TO BE SECURE TO NAMEPLATE WITH TAPE AS SHOWN PRIOR TO SHIPPING

BASE MOUNTING HOLES FOR REPOSITIONING BASE @3:00 AND 9:00

NAMEPLATE READABLE FROM CONDUIT BOX SIDE

NAMEPLATE READABLE FROM CONDUIT BOX SIDE

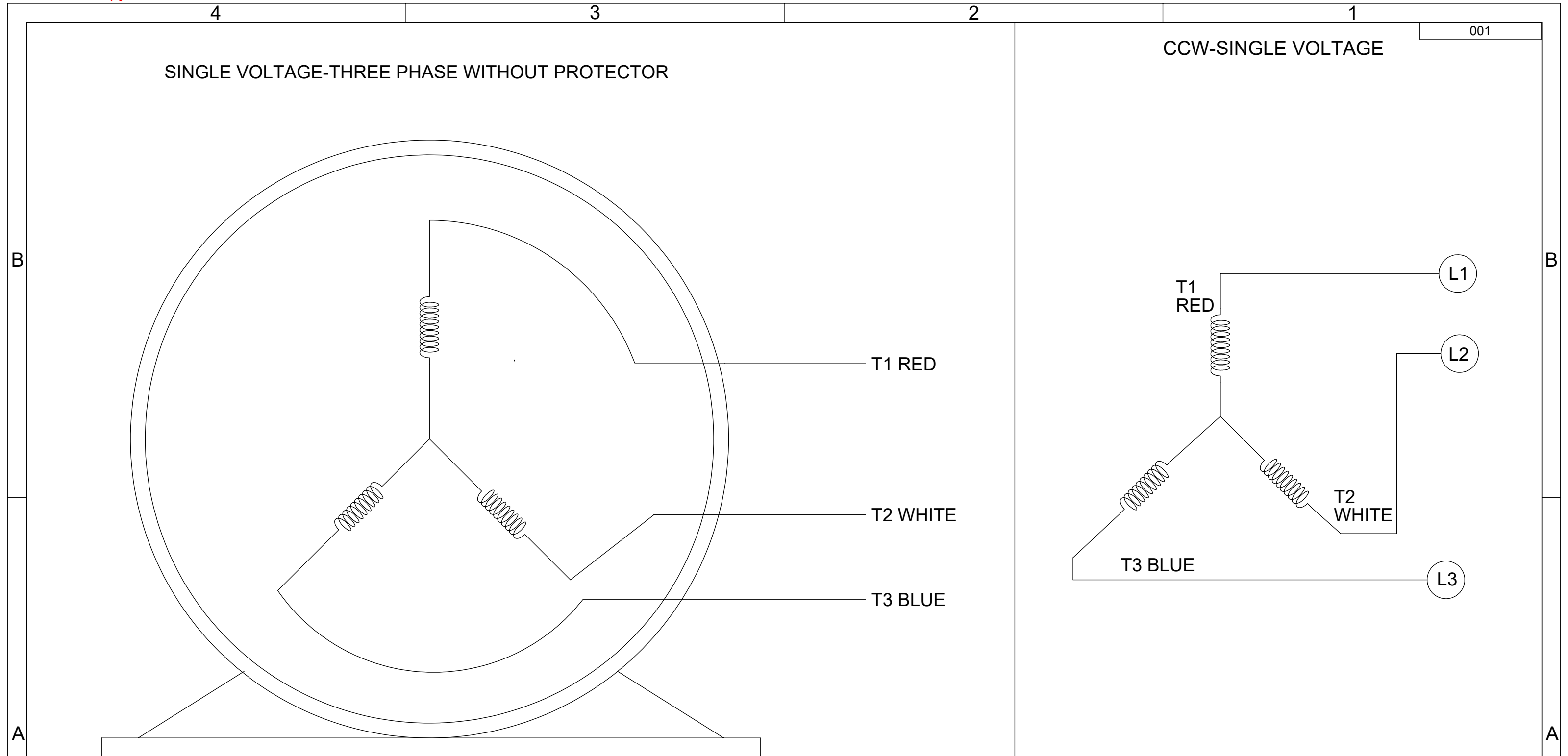
4X SCREWS TO ASSEMBLE REMOVABLE BASE

NOTES:

- 1) REMOVABLE / REPOSITIONAL BASE CAN BE REMOVED FOR C-FACE MOUNTING OR REPOSITIONED TO 9:00 OR 3:00 FACING SHAFT END OF MOTOR FOR NEMA F-1 OR F-2 CONDUIT BOX LOCATION.

PLUGGED BASE MOUNTING HOLES FOR REPOSITIONING BASE @3:00 OR 9:00

DRAWING REVISION B	REVISION BY RAJESH	REV DATE/@ DATE 10/20/2022	TOLERANCES (EXCEPT AS NOTED):				DRAWN BY SRIKANTH	Regal Rexnord Regal Beloit America, Inc.	
REQUEST NUMBER ECR-0221657	APPROVED BY SN	DATE 10/20/2022	DEC.	INCH	mm	ANGLE	DATE 06/22/2022	DESCRIPTION	
REQUEST NUMBER DESCRIPTION DRAWING UPDATED			.X	±0.1	[+3]	±0.5°	APPROVED BY SN	OUTLINE	
<small>COPYRIGHT (PER REVISION DATE) REGAL BELOIT AMERICA, INC. ALL RIGHTS RESERVED. PROPRIETARY AND CONFIDENTIAL INFORMATION - THIS DOCUMENT IS THE PROPERTY OF REGAL BELOIT AMERICA, INC. ("OWNER") AND CONTAINS OWNER'S PROPRIETARY INFORMATION. ANY PERSON, CORPORATION OR OTHER FIRM RECEIVING IT IS DEEMED, BY RECEIVING IT, TO AGREE THAT IT, AND/OR ANY PART OF IT, SHALL NOT BE DISCLOSED TO ANY PERSON, CORPORATION OR OTHER ENTITY, DUPLICATED, AND/OR USED, EXCEPT AS EXPRESSLY APPROVED IN WRITING IN ADVANCE BY OWNER. THIS DOCUMENT SHALL BE RETURNED TO OWNER UPON REQUEST. IT MAY BE SUBJECT TO CERTAIN RESTRICTIONS UNDER APPLICABLE EXPORT CONTROL LAWS AND REGULATIONS.</small>			.XXX	±0.02	[±0.5]		DATE 06/22/2022	56-140FR,TEFC, BOLT-ON	
			.XXXX	±0.005	[±0.13]		REFERENCE	MATERIAL	PROCESS/FINISH
			.XXXX	±0.0005	[±0.013]				
			REMOVE BURRS & BREAK SHARP EDGES: .003/.015 [.08/.38] X 45° CORNER FILLETS: R.02 [.5] MACHINED SURFACES: .125/3.2 INCH/mm mm DIMENSIONS IN [BRACKETS] ARE FOR REFERENCE ONLY						
			THIRD ANGLE PROJECTION	SIZE C	DRAWING NUMBER OL56100826-001	SHEET 3 OF 3			



VIEW OF TERMINAL END

- NOTES:
1. TO REVERSE ROTATION, INTERCHANGE ANY TWO LINE CONNECTIONS TO L1, L2, OR L3.
 2. CONNECTION DIAGRAM-NAMEPLATE DD10213-001

DRAWING REVISION B	REVISION BY PRASHANTH	REV DATE/© DATE 06/22/2022	TOLERANCES (EXCEPT AS NOTED): DEC. INCH mm ANGLE .X ±0.1 [±3] ±0.5° .XX ±0.01 [±0.3] .XXX ±0.005 [±0.13] .XXXX ±0.0005 [±0.013]	DRAWN BY SHESHI	Regal Beloit America, Inc.
REQUEST NUMBER NMR-0213855	APPROVED BY BHARGAVI	DATE 06/22/2022		DATE 03/07/2019	
REQUEST NUMBER DESCRIPTION CHANGED NOTES FROM LOW TO SINGLE VOLTAGE			REMOVE BURRS & BREAK SHARP EDGES: .003/.015 [.08/.38] X 45° CORNER FILLETS: R.02 [.5] MACHINED SURFACES: 125/3.2 INCH/mm	APPROVED BY BHARGAVI	DESCRIPTION CONN DIAGRAM-EXTERNAL
COPYRIGHT (PER REVISION DATE) REGAL BELOIT AMERICA, INC. ALL RIGHTS RESERVED. PROPRIETARY AND CONFIDENTIAL INFORMATION - THIS DOCUMENT IS THE PROPERTY OF REGAL BELOIT AMERICA, INC. ("OWNER") AND CONTAINS OWNER'S PROPRIETARY INFORMATION. ANY PERSON, CORPORATION OR OTHER FIRM RECEIVING IT IS DEEMED, BY RECEIVING IT, TO AGREE THAT IT, AND/OR ANY PART OF IT, SHALL NOT BE DISCLOSED TO ANY PERSON, CORPORATION OR OTHER ENTITY, DUPLICATED, AND/OR USED, EXCEPT AS EXPRESSLY APPROVED IN WRITING IN ADVANCE BY OWNER. THIS DOCUMENT SHALL BE RETURNED TO OWNER UPON REQUEST. IT MAY BE SUBJECT TO CERTAIN RESTRICTIONS UNDER APPLICABLE EXPORT CONTROL LAWS AND REGULATIONS.			ARE FOR REFERENCE ONLY	DATE 03/07/2019	MATERIAL
			THIRD ANGLE PROJECTION	REFERENCE CDTS139	PROCESS/FINISH
			SIZE B	DRAWING NUMBER CDTS141	SHEET 1 OF 1