

PRODUCT INFORMATION PACKET

Model No: 048T17D11009

Catalog No: G044A

General Purpose Motor, 0.25 HP, 3 Ph, 60 Hz, 230/460 V, 1800 RPM, 48 Frame, DP



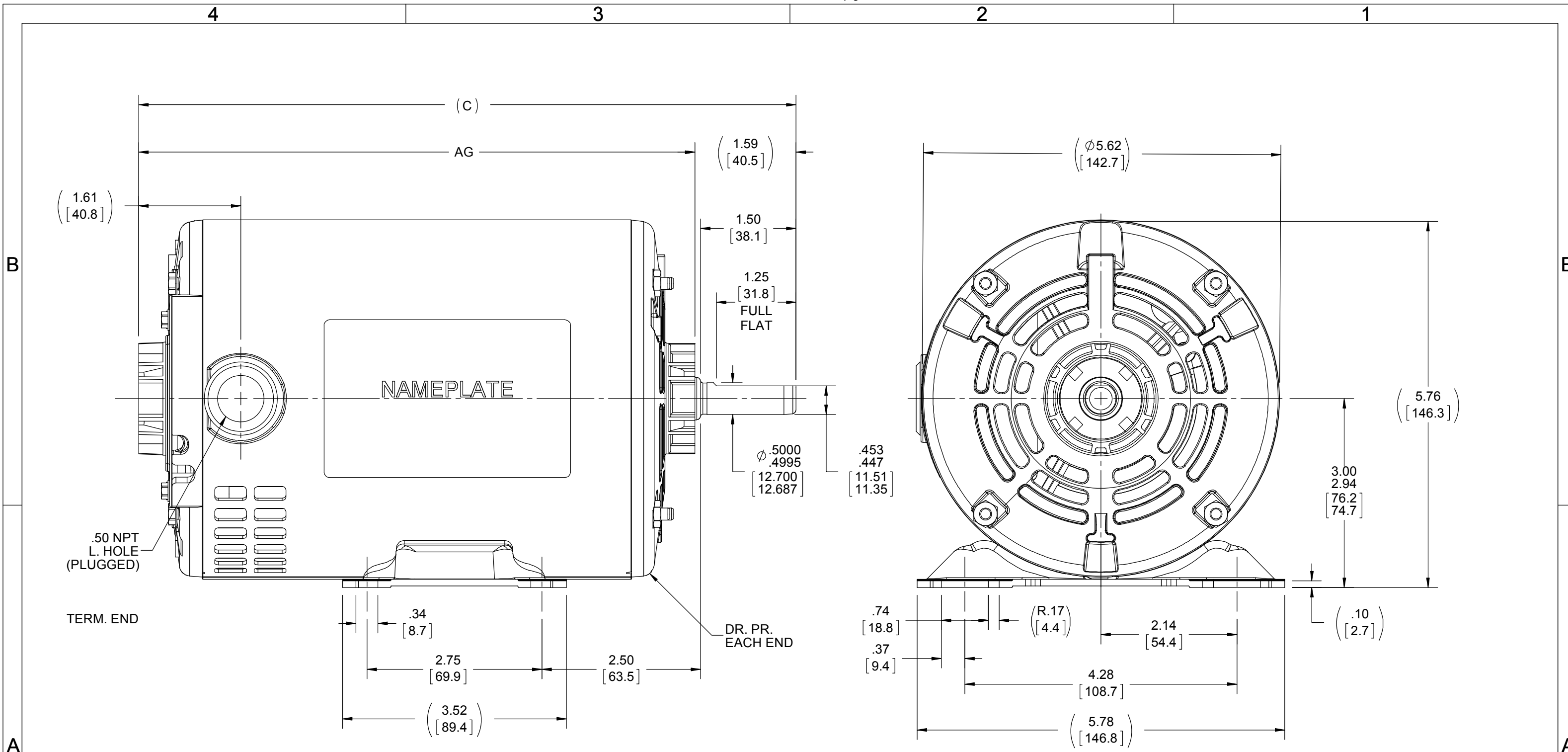
Regal and are trademarks of Regal Rexnord Corporation or one of its affiliated companies.
©2022 Regal Rexnord Corporation, All Rights Reserved. MC017097E

Nameplate Specifications

Output HP	0.25 Hp	Output KW	0.19 kW
Frequency	60 Hz	Voltage	230/460 V
Current	1.0/0.50 A	Speed	1725 rpm
Service Factor	1.35	Phase	3
Efficiency	69.5 %	Power Factor	71.5
Duty	Continuous	Insulation Class	B
Design Code	B	KVA Code	M
Frame	48	Enclosure	Drip Proof
Thermal Protection	No Protection	Ambient Temperature	40 °C
Drive End Bearing Size	6203	Opp Drive End Bearing Size	6203
UL	Recognized	CSA	Y
CE	Y	IP Code	22
Number of Speeds	1		

Technical Specifications

Electrical Type	Squirrel Cage Inverter Rated	Starting Method	Line Or Inverter
Poles	4	Rotation	Reversible
Resistance Main	20.8 Ohms	Mounting	Rigid Base
Motor Orientation	Horizontal	Drive End Bearing	Ball
Opp Drive End Bearing	Ball	Frame Material	Rolled Steel
Shaft Type	NEMA 48	Overall Length	10.34 in
Frame Length	6.75 in	Shaft Diameter	0.500 in
Shaft Extension	1.59 in	Assembly/Box Mounting	F1 ONLY
Inverter Load	CONSTANT 2:1		
Outline Drawing	B-SS404329-675	Connection Drawing	A-EE7308-REGAL



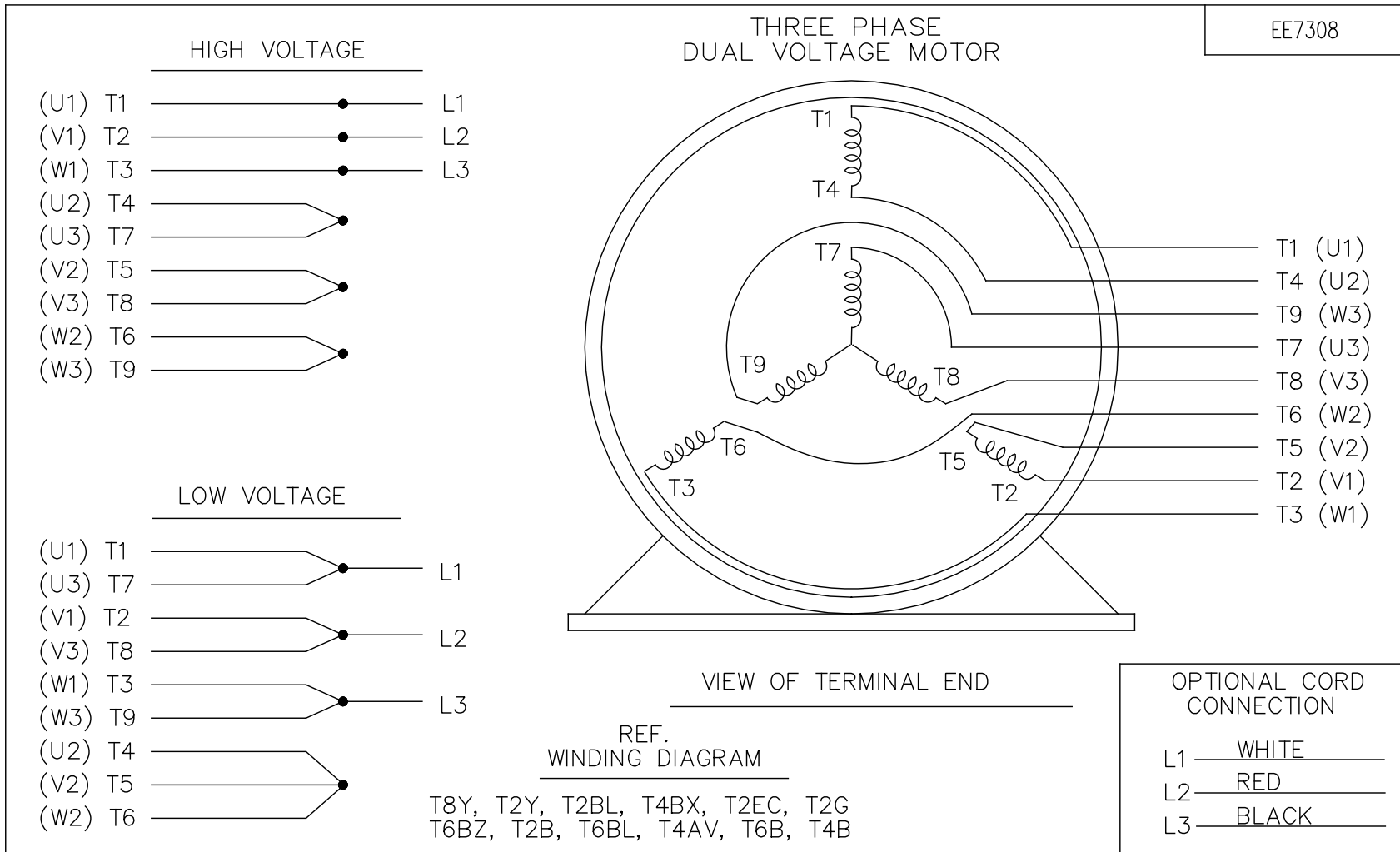
DRAWING REVISION A	REVISION BY S SAHOO	REV DATE/© DATE 11/01/2018
ECO ECO-0167331	APPROVED BY	DATE
ECO DESCRIPTION OUTLINE CONVERSION PROJECT		
<small>COPYRIGHT (PER REVISION DATE) REGAL BELOIT AMERICA, INC. ALL RIGHTS RESERVED. PROPRIETARY AND CONFIDENTIAL INFORMATION - THIS DOCUMENT IS THE PROPERTY OF REGAL BELOIT AMERICA, INC. ("OWNER") AND CONTAINS OWNER'S PROPRIETARY INFORMATION. ANY PERSON, CORPORATION OR OTHER FIRM RECEIVING IT IS DEEMED, BY RECEIVING IT, TO AGREE THAT IT, AND/OR ANY PART OF IT, SHALL NOT BE DISCLOSED TO ANY PERSON, CORPORATION OR OTHER ENTITY, DUPLICATED, AND/OR USED, EXCEPT AS EXPRESSLY APPROVED IN WRITING IN ADVANCE BY OWNER. THIS DOCUMENT SHALL BE RETURNED TO OWNER UPON REQUEST. IT MAY BE SUBJECT TO CERTAIN RESTRICTIONS UNDER APPLICABLE EXPORT CONTROL LAWS AND REGULATIONS.</small>		

TOLERANCES (EXCEPT AS NOTED):			
DEC.	INCH	mm	ANGLE
.X	±0.1	[±3]	±7' 30"
.XX	±0.03	[±0.8]	
.XXX	±0.005	[±0.13]	
.XXXX	±0.0005	[±0.013]	
REMOVE BURRS & BREAK SHARP EDGES: .003/.015 [.08/.38] X 45°			
CORNER FILLETS: R.02 [.5]			
MACHINED SURFACES: 200/ 5.1 INCH √ mm			
mm DIMENSIONS IN [BRACKETS] ARE FOR REFERENCE ONLY			

DRAWN BY S SAHOO
DATE 11/01/2018
APPROVED BY D SURYAWANSHI
DATE 05/17/2019
REFERENCE SS404126
THIRD ANGLE PROJECTION

REGAL Regal Beloit America, Inc.	
DESCRIPTION OUTLINE 48 FRAME	
MATERIAL	PROCESS/FINISH
SIZE B	DRAWING NUMBER SS404329
	SHEET 1 OF 1

DASH	C	AG
675	10.34[262.6]	8.75[222.3]



NO.	REVISION	BY & DATE	CHK	ANG	TOLERANCES UNLESS SPECIFIED		FINISH	DRAWN RM	ML	REV.	
					DEC.	INCHES					
5	CHG TO REGAL LOGO	SL 09/10/2015	AB					RM	11/20/1990		
4	REVISED IEC NOTATIONS	MSG 11/15/2011	CMN	.X	±.1			CHK	ML	11/21/1990	
3	ADDED IEC NOTATIONS... (U1), (V1) ETC. MU95194	MSG 5/10/2010	MJS	.XX	±.02			APPD	SAS	04/24/2003	
2	ADDED THE OPTIONAL CORD CONNECTION MU46318	RDH 04/24/2003	DRS	.XXX	±.005			SCALE	1=1		
1	REDRAWN	RM 11/20/1990		.XXXX	±.0005			REF			
					±7'30"			FMP			
THIS DRAWING IN DESIGN AND DETAIL IS OUR PROPERTY AND MUST NOT BE USED EXCEPT IN CONNECTION WITH OUR WORK ALL RIGHTS OF DESIGN AND INVENTION ARE RESERVED THIS IS AN ELECTRONICALLY GENERATED DOCUMENT - DO NOT SCALE THIS PRINT							RFP	CAD FILE	ee7308		
							DIST	WP			
							SIZE	DRAWING NO.	PAGE	OF	REV.
							A	EE7308			5

CERTIFICATION DATA SHEET

Model#: 48T17D11009 A
CONN. DIAGRAM: A-EE7308-REGAL
OUTLINE: A-SS404126-675

WINDING#: TE484124 NONE 3
ASSEMBLY: F1 ONLY

TYPICAL MOTOR PERFORMANCE DATA

HP	KW	SYNC. RPM	F.L. RPM	FRAME	ENCLOSURE	KVA CODE	DESIGN			
1/4&1/4	.19&.19	1800	1725&1425	48	DP	M	B			
PH	Hz	VOLTS	FL AMPS	START TYPE	DUTY	INSL	S.F	AMB°C	ELEVATION	
3	60/50	230/460#190/ 380	1/.5&1/.5	LINE OR INVERTER	CONTINUOU S	B3	1.35/1.35	40	3300	
FULL LOAD EFF: 69.5		3/4 LOAD EFF: 64.6		1/2 LOAD EFF: 56.6		GTD. EFF		ELEC. TYPE		NO LOAD AMPS
FULL LOAD PF: 71.5		3/4 LOAD PF: 63		1/2 LOAD PF: 53.2		0		SQ CAGE INV RATED		.7 / .3
F.L. TORQUE		LOCKED ROTOR AMPS		L.R. TORQUE		B.D. TORQUE		F.L. RISE°C		
12 LB-FT		6.4 / 3.2		47.8 LB-FT 398		52.1 LB-FT 434		15		
SOUND PRESSURE @ 3 FT.	SOUND POWER	ROTOR WK^2	MAX. WK^2	SAFE STALL TIME	STARTS /HOUR	APPROX. MOTOR WGT				
0 dBA	10 dBA	0 LB-FT^2	0 LB-FT^2	0 SEC.	0	0 LBS.				

***** SUPPLEMENTAL INFORMATION *****

DE BRACKET TYPE	ODE BRACKET TYPE	MOUNT TYPE	ORIENTATION	SEVERE DUTY	HAZARDOUS LOCATION	DRIP COVER	SCREENS	PAINT
STANDARD	STANDARD	RIGID	HORIZONTAL	FALSE	NONE	FALSE	NONE	GRAY (POWDER)
BEARINGS		GREASE	SHAFT TYPE	SPECIAL DE	SPECIAL ODE	SHAFT MATERIAL	FRAME MATERIAL	
DE	OPE	MULTEMP SRL	STANDARD 48	NONE	NONE	1144 STRESSPROOF (C-223)	ROLLED STEEL	
BALL	BALL							
6203	6203							
THERMO-PROTECTORS				THERMISTORS	CONTROL	SPACE /n HEATERS		
THERMOSTATS	PROTECTORS	WDG RTDs	BRG RTDs	NONE	FALSE	NONE VOLTS		
NONE	NOT	NONE	NONE					

If Inverter equals NONE, contact factory for further information

*
N
O
T
E
S
*

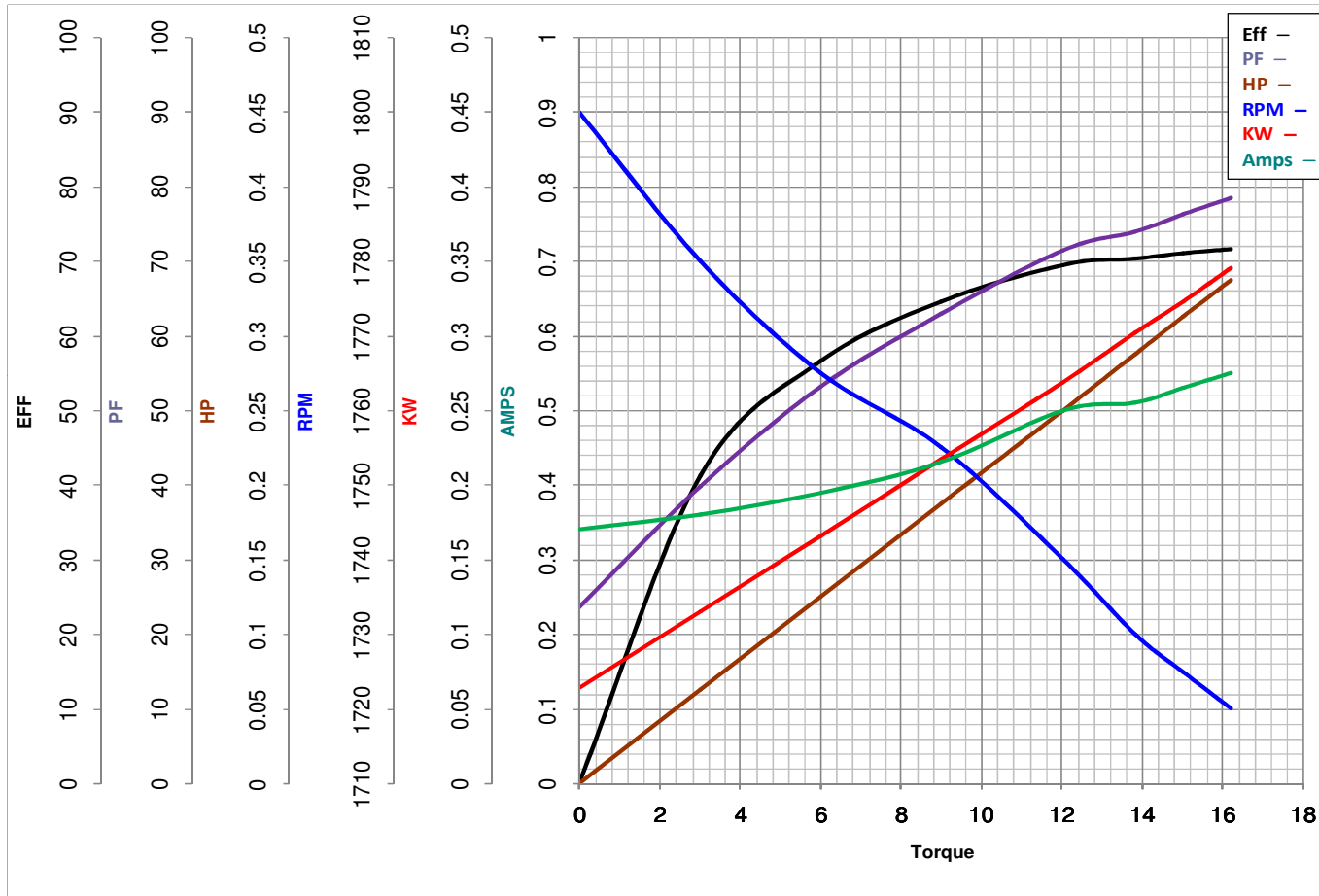
INVERTER TORQUE: CONSTANT 2:1 INV. HP SPEED RANGE: NONE
ENCODER: NONE NONE NONE NONE NONE PPR
BRAKE: NONE NONE NONE P/N NONE NONE NONE NONE FT-LB NONE V NONE Hz

DATE: 06/29/2017 01:55:51 AM
 FORM 3531 REV.3 02/07/99
 ** Subject to change without notice.



MARATHON ELECTRIC CORPORATION
TYPICAL PERFORMANCE CURVE for AC MOTOR

Customer _____ Curve at 460 Volts HP 0.25&0.25 PHASE 3
 Model No 48T17D11009 60 HZ
0.25 HP VOLTS 230/460&190/380
 Catalog No G044A HZ 60&50 RPM 1725&1425



			Torque in Oz.Ft		
FL TORQUE	<u>12</u>	Oz.Ft	FL AMPS	<u>1/5</u>	
BD TORQUE	<u>52.1</u>	Oz.Ft	PU TORQUE	<u>44.8</u>	Oz.Ft
LR TORQUE	<u>47.8</u>	Oz.Ft	LR AMPS	<u>3.2</u>	
WINDING	TE484124-3		Date	1/8/2019	

EC Declaration of Conformity

The undersigned representing
the manufacturer:

Regal Beloit America
100 East Randolph St.
Wausau, WI 54401

and the authorized representative
established within the Community:

Marathon Electric UK
6F Thistleton Road Ind. Estate
Market Overton
Oakham, Rutland LE15 7PP UK

are committed to providing customers with products that comply with applicable regulations and international protocols to which they are subject, including the requirements of the European Parliament Directive on the Harmonization of the laws relating to electrical equipment designed for use within certain voltage limits (2014/35/EU).

Regal Beloit America declares that the following product(s), to which this declaration relates, are in conformity with the relevant sections of the EC standards listed below.

This statement supersedes any statements previously issued pertaining to the product(s) listed below and is subject to change without notice.

Model No : 048T17D11009

(Model No. may contain prefix and/or suffix characters)

Catalog No : G044A

Rework No : N/A

Directives :

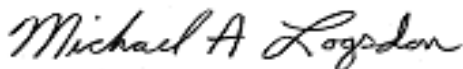
Low Voltage Directive 2014/35/EU

Harmonized Standards Used :

EN 60034-1: 2010 (IEC 60034-1: 2010)

EN 60034-5: 2001/A1:2007 (IEC 60034-5: 2000/A1:2006)

Authorized Representative:



Michael A. Logsdon
Vice President, Technology

Authorized Representative in the Community:



Julian Clark
Marketing Engineer

Created on 09/01/2022

CE 22