

PRODUCT INFORMATION PACKET

Model No: 056T11D11005

Catalog No: G061A

General Purpose Motor, 0.33 HP, 3 Ph, 60 Hz, 230/460 V, 1200 RPM, 56 Frame, DP



Regal and are trademarks of Regal Rexnord Corporation or one of its affiliated companies.
©2022 Regal Rexnord Corporation, All Rights Reserved. MC017097E

RegalRexnord

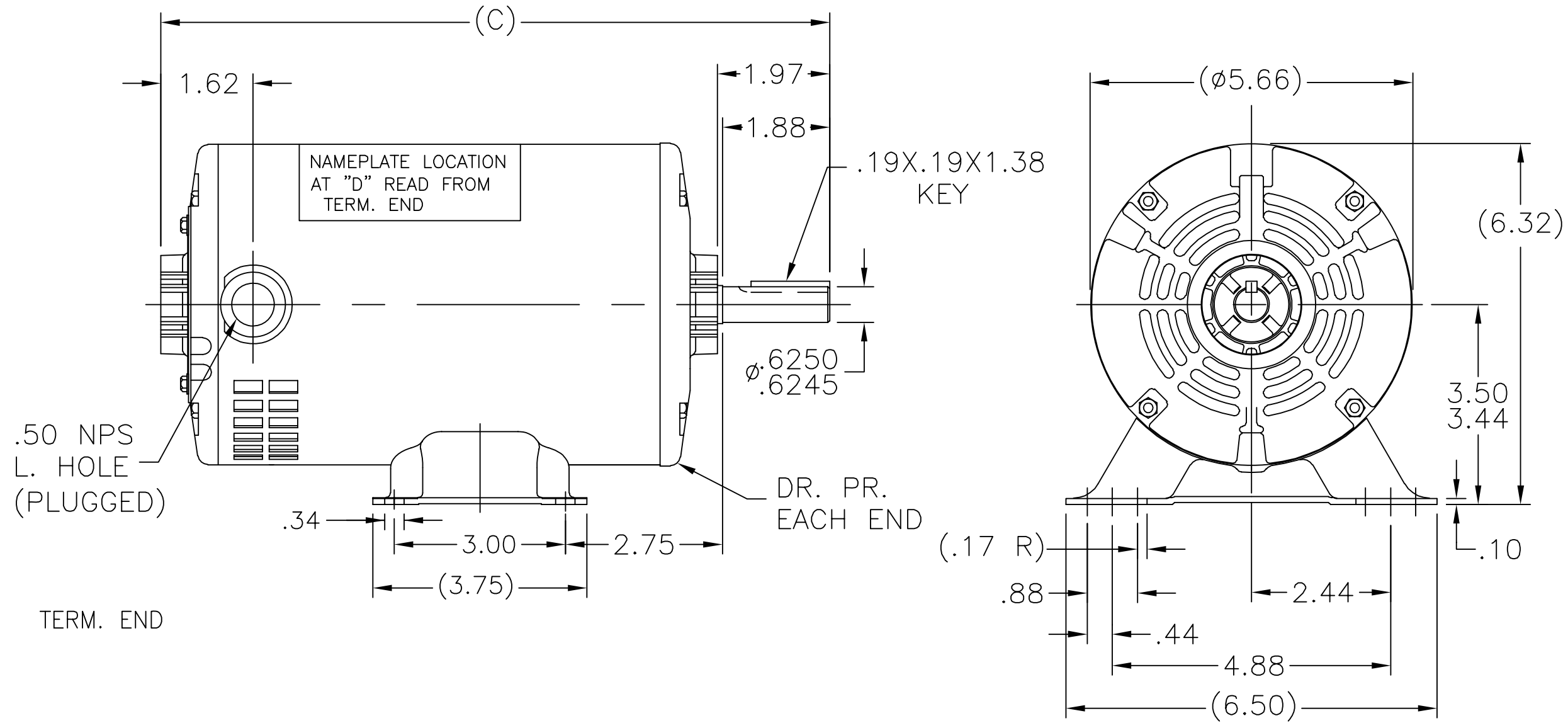
Nameplate Specifications

| | | | |
|------------------------|----------------------|----------------------------|-------------------|
| Output HP | 0.33 Hp | Output KW | 0.25 kW |
| Frequency | 60 Hz | Voltage | 230/460 V |
| Current | 1.4/0.70 A | Speed | 1140 rpm |
| Service Factor | 1.35 | Phase | 3 |
| Efficiency | 71.4 % | Power Factor | 55.5 |
| Duty | Continuous | Insulation Class | B |
| Design Code | B | KVA Code | K |
| Frame | 56 | Enclosure | Drip Proof |
| Thermal Protection | No Protection | Ambient Temperature | 40 °C |
| Drive End Bearing Size | 6203 | Opp Drive End Bearing Size | 6203 |
| UL | Recognized | CSA | Y |
| CE | Y | IP Code | 22 |
| Number of Speeds | 1 | | |

Technical Specifications

| | | | |
|-----------------------|-------------------------------------|-----------------------|-------------------------|
| Electrical Type | Squirrel Cage Inverter Rated | Starting Method | Line Or Inverter |
| Poles | 6 | Rotation | Reversible |
| Resistance Main | 0 Ohms | Mounting | Rigid Base |
| Motor Orientation | Horizontal | Drive End Bearing | Ball |
| Opp Drive End Bearing | Ball | Frame Material | Rolled Steel |
| Shaft Type | NEMA 56 | Overall Length | 11.97 in |
| Frame Length | 8.00 in | Shaft Diameter | 0.625 in |
| Shaft Extension | 1.97 in | Assembly/Box Mounting | F1 ONLY |
| Inverter Load | CONSTANT 2:1 | | |
| Connection Drawing | A-EE7308-REGAL | Outline Drawing | A-SS404127-800 |

SS404127

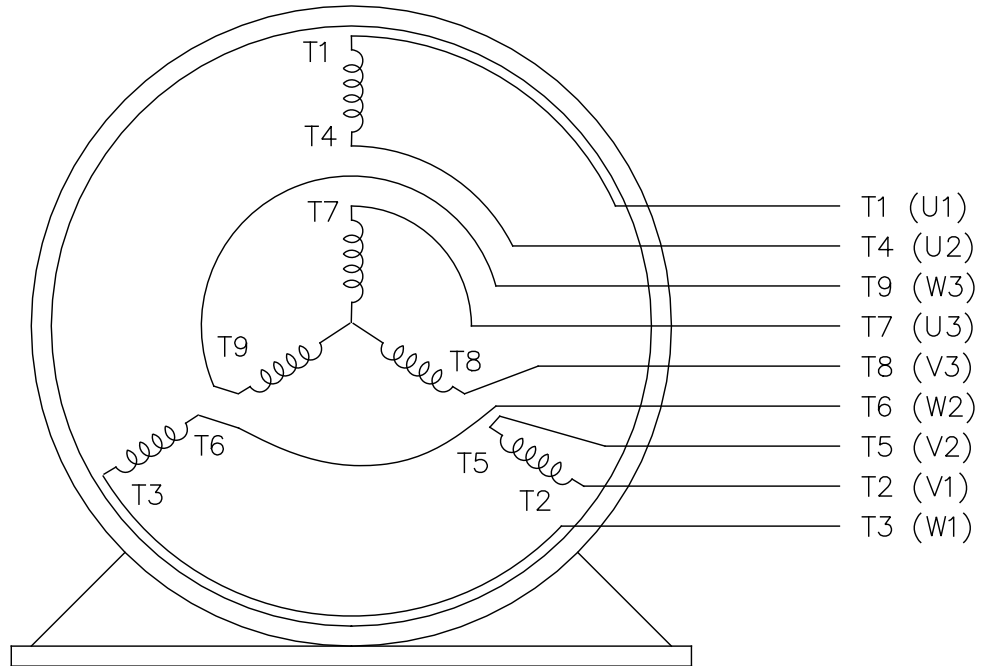
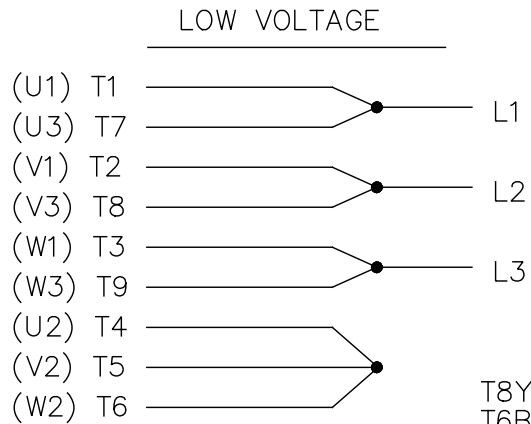
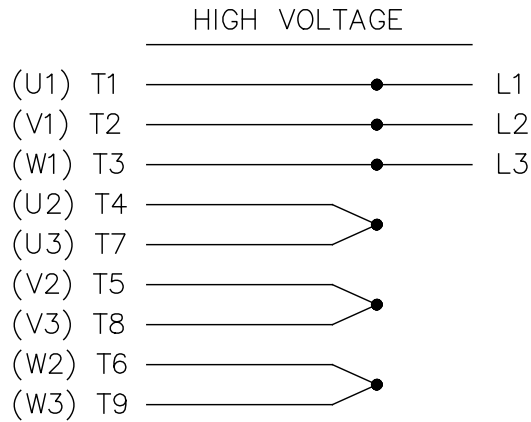


| DASH | C | DASH | C | DASH | C |
|------|-------|------|-------|------|-------|
| 600 | 9.97 | 700 | 10.97 | 775 | 11.72 |
| 625 | 10.22 | 725 | 11.22 | 800 | 11.97 |
| 650 | 10.47 | 750 | 11.47 | 875 | 12.72 |

| NO. | | REVISION | BY & DATE | CHK | ANG | ±7'30" | FINISH | DRAWING NO. PAGE OF REV. | | | | | | | | | | | | | | |
|--|--------|----------|-----------|----------------|-----|-------------------|-----------------------------|--------------------------------|------|--------|----|-----|-----|------|------|-------|-------|--------|----------------------------|--|--|--|
| <table border="1"> <thead> <tr> <th colspan="2">TOLERANCES UNLESS SPECIFIED</th> </tr> <tr> <th>DEC.</th> <th>INCHES</th> </tr> </thead> <tbody> <tr> <td>.X</td> <td>±.1</td> </tr> <tr> <td>.XX</td> <td>±.03</td> </tr> <tr> <td>.XXX</td> <td>±.005</td> </tr> <tr> <td>.XXXX</td> <td>±.0005</td> </tr> </tbody> </table> | | | | | | | TOLERANCES UNLESS SPECIFIED | | DEC. | INCHES | .X | ±.1 | .XX | ±.03 | .XXX | ±.005 | .XXXX | ±.0005 | Regal Beloit America, Inc. | | DRAWN PST 12/19/2014 CHK AP 12/19/2014 APPD SCALE 3=8 REF FMF PREV | |
| TOLERANCES UNLESS SPECIFIED | | | | | | | | | | | | | | | | | | | | | | |
| DEC. | INCHES | | | | | | | | | | | | | | | | | | | | | |
| .X | ±.1 | | | | | | | | | | | | | | | | | | | | | |
| .XX | ±.03 | | | | | | | | | | | | | | | | | | | | | |
| .XXX | ±.005 | | | | | | | | | | | | | | | | | | | | | |
| .XXXX | ±.0005 | | | | | | | | | | | | | | | | | | | | | |
| THIS DRAWING IN DESIGN AND DETAIL IS OUR PROPERTY AND MUST NOT BE USED EXCEPT IN CONNECTION WITH OUR WORK ALL RIGHTS OF DESIGN AND INVENTION ARE RESERVED THIS IS AN ELECTRONICALLY GENERATED DOCUMENT - DO NOT SCALE THIS PRINT | | | | RFP DIST WP | | CAD FILE SS404127 | | SIZE A DRAWING NO. SS404127 | | | | | | | | | | | | | | |

EE7308

THREE PHASE
DUAL VOLTAGE MOTOR



VIEW OF TERMINAL END

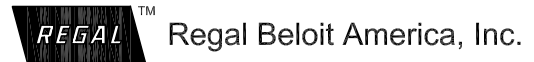
REF.
WINDING DIAGRAM

T8Y, T2Y, T2BL, T4BX, T2EC, T2G
T6BZ, T2B, T6BL, T4AV, T6B, T4B

OPTIONAL CORD
CONNECTION

L1 — WHITE
L2 — RED
L3 — BLACK

| NO. | REVISION | BY & DATE | CHK | ANG | TOLERANCES UNLESS SPECIFIED | | FINISH | DRAWN RM 11/20/1990 | | | | |
|--|--|----------------|-----|-------|--------------------------------|--------|---|---------------------|--------|--------------------|-----------|--------|
| | | | | | DEC. | INCHES | | | | | | |
| 5 | CHG TO REGAL LOGO | SL 09/10/2015 | AB | | | | | CHK ML 11/21/1990 | | | | |
| 4 | REVISED IEC NOTATIONS | MSG 11/15/2011 | CMN | .X | ±.1 | | | APPD SAS 04/24/2003 | | | | |
| 3 | ADDED IEC NOTATIONS... (U1), (V1) ETC. MU95194 | MSG 5/10/2010 | MJS | .XX | ±.02 | | | SCALE 1=1 | | | | |
| 2 | ADDED THE OPTIONAL CORD CONNECTION MU46318 | RDH 04/24/2003 | DRS | .XXX | ±.005 | | TITLE CONNECTION DIAGRAM 3Ø - DUAL VOLTAGE MOTOR | REF | | | | |
| 1 | REDRAWN | RM 11/20/1990 | | .XXXX | ±.0005 | | MAT'L. | FMF | | | | |
| | | | | | ±7'30" | | | PREV | | | | |
| THIS DRAWING IN DESIGN AND DETAIL IS OUR PROPERTY AND MUST NOT BE USED EXCEPT IN CONNECTION WITH OUR WORK ALL RIGHTS OF DESIGN AND INVENTION ARE RESERVED THIS IS AN ELECTRONICALLY GENERATED DOCUMENT - DO NOT SCALE THIS PRINT | | | | | | | RFP | CAD FILE ee7308 | SIZE A | DRAWING NO. EE7308 | PAGE OF 5 | REV. 5 |
| | | | | | | | DIST WP | | | | | |



CERTIFICATION DATA SHEET

Model#: 56T11D11005 A WINDING#: TE48693 NONE 3
 CONN. DIAGRAM: A-EE7308-REGAL ASSEMBLY: F1 ONLY
 OUTLINE: A-SS404127-800

TYPICAL MOTOR PERFORMANCE DATA

| HP | KW | SYNC. RPM | F.L. RPM | FRAME | ENCLOSURE | KVA CODE | DESIGN |
|---------|-----------|-----------|----------|-------|-----------|----------|--------|
| 1/3&1/4 | .246&.187 | 1200 | 1140&950 | 56 | DP | K | B |

| PH | Hz | VOLTS | FL AMPS | START TYPE | DUTY | INSL | S.F | AMB°C | ELEVATION |
|----|-------|---------------------|---------------|---------------------|----------------|------|-----------|-------|-----------|
| 3 | 60/50 | 230/460#190/ 380 | 1.4/.7&1.2/.6 | LINE OR INVERTER | CONTINUOU S | B3 | 1.35/1.35 | 40 | 3300 |

| FULL LOAD EFF: 71.4 | 3/4 LOAD EFF: 63.7 | 1/2 LOAD EFF: 55.8 | GTD. EFF | ELEC. TYPE | NO LOAD AMPS |
|---------------------|--------------------|--------------------|----------|-------------------|--------------|
| FULL LOAD PF: 55.5 | 3/4 LOAD PF: 48 | 1/2 LOAD PF: 38.6 | 71.4 | SQ CAGE INV RATED | 1.1 / .5 |

| F.L. TORQUE | LOCKED ROTOR AMPS | L.R. TORQUE | B.D. TORQUE | F.L. RISE°C |
|-------------|-------------------|----------------|--------------|-------------|
| 18.5 LB-FT | 7.4 / 3.7 | 93.8 LB-FT 507 | 92 LB-FT 497 | 30 |

| SOUND PRESSURE @ 3 FT. | SOUND POWER | ROTOR WK^2 | MAX. WK^2 | SAFE STALL TIME | STARTS / HOUR | APPROX. MOTOR WGT |
|------------------------|-------------|------------|-----------|-----------------|---------------|-------------------|
| 0 dBA | 10 dBA | 0 LB-FT^2 | 0 LB-FT^2 | 0 SEC. | 0 | 0 LBS. |

*** SUPPLEMENTAL INFORMATION ***

| DE BRACKET TYPE | ODE BRACKET TYPE | MOUNT TYPE | ORIENTATION | SEVERE DUTY | HAZARDOUS LOCATION | DRIP COVER | SCREENS | PAINT |
|-----------------|------------------|------------|-------------|-------------|--------------------|------------|---------|---------------|
| STANDARD | STANDARD | RIGID | HORIZONTAL | FALSE | NONE | FALSE | NONE | GRAY (POWDER) |

| BEARINGS | | GREASE | SHAFT TYPE | SPECIAL DE | SPECIAL ODE | SHAFT MATERIAL | FRAME MATERIAL |
|----------|------|------------|-------------|------------|-------------|--------------------------|----------------|
| DE | OPE | | | | | | |
| BALL | BALL | POLYREX EM | STANDARD 56 | NONE | NONE | 1144 STRESSPROOF (C-223) | ROLLED STEEL |
| 6203 | 6203 | | | | | | |

| THERMO-PROTECTORS | | | | THERMISTORS | CONTROL | SPACE /n HEATERS |
|-------------------|------------|----------|----------|-------------|---------|------------------|
| THERMOSTATS | PROTECTORS | WDG RTDs | BRG RTDs | | | |
| NONE | NOT | NONE | NONE | NONE | FALSE | NONE VOLTS |

If Inverter equals NONE, contact factory for further information

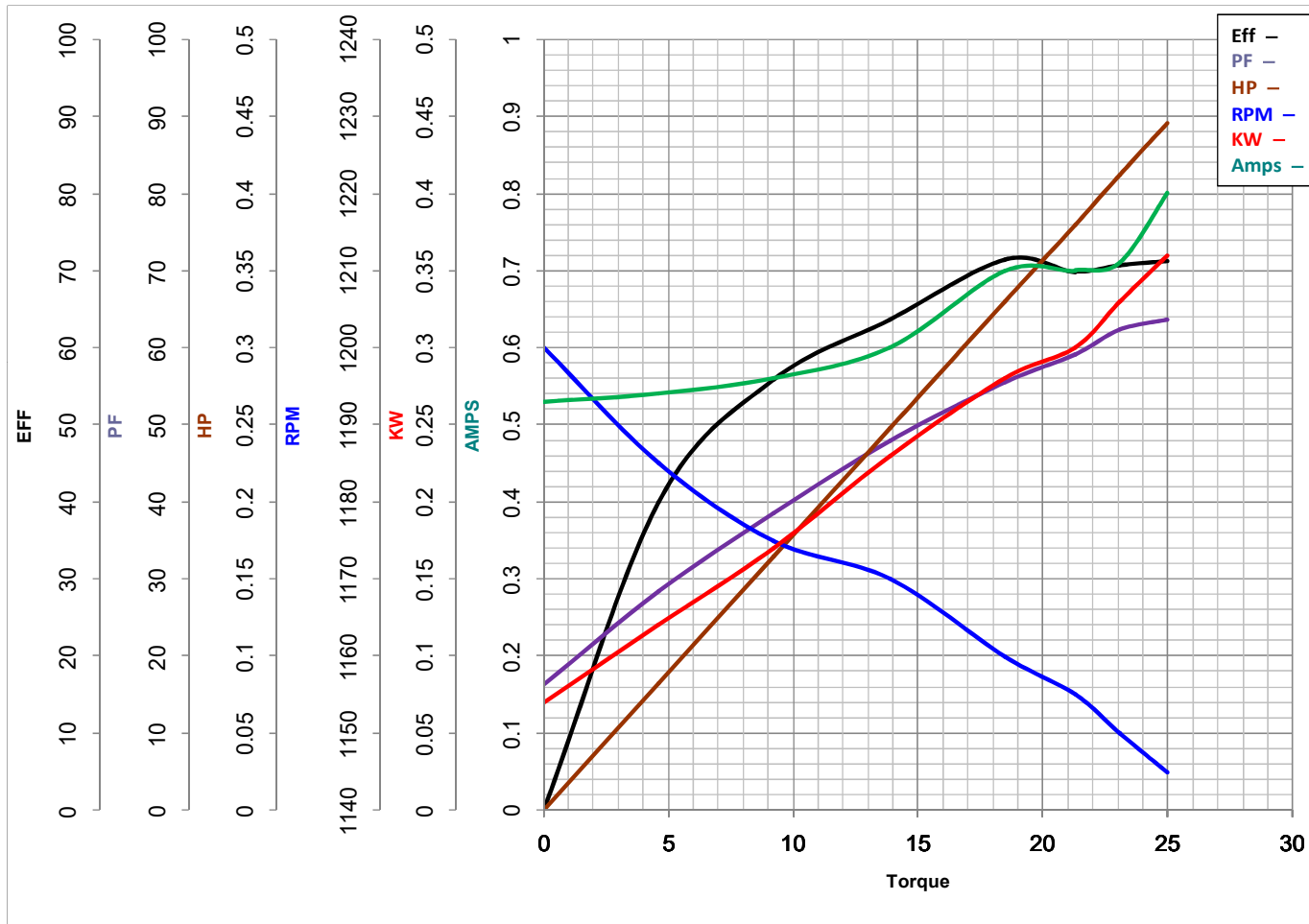
| | |
|---------------------------------|---|
| * N O T E S * | INVERTER TORQUE: CONSTANT 2:1 INV. HP SPEED RANGE: NONE |
| | ENCODER: NONE NONE NONE NONE NONE PPR |
| | BRAKE: NONE NONE NONE P/N NONE NONE NONE NONE FT-LB NONE V NONE Hz |

DATE: 06/28/2017 02:25:10 AM
 FORM 3531 REV.3 02/07/99
 ** Subject to change without notice.



MARATHON ELECTRIC CORPORATION
TYPICAL PERFORMANCE CURVE for AC MOTOR

Customer _____ Curve at 460 Volts HP 0.33&0.25 PHASE 3
 Model No 56T11D11005 60 HZ
0.33 HP VOLTS 230/460&190/380
 Catalog No G061A HZ 60&50 RPM 1140&950



Torque in Oz.Ft

FL TORQUE 18.5 Oz.Ft
 BD TORQUE 92.0 Oz.Ft
 LR TORQUE 93.8 Oz.Ft

FL AMPS 1.4/7
 PU TORQUE 93.8 Oz.Ft
 LR AMPS 3.7

WINDING TE48693-3

Date 1/22/2019

EC Declaration of Conformity

The undersigned representing
the manufacturer:

Regal Beloit America
100 East Randolph St.
Wausau, WI 54401

and the authorized representative
established within the Community:

Marathon Electric UK
6F Thistleton Road Ind. Estate
Market Overton
Oakham, Rutland LE15 7PP UK

are committed to providing customers with products that comply with applicable regulations and international protocols to which they are subject, including the requirements of the European Parliament Directive on the Harmonization of the laws relating to electrical equipment designed for use within certain voltage limits (2014/35/EU).

Regal Beloit America declares that the following product(s), to which this declaration relates, are in conformity with the relevant sections of the EC standards listed below.

This statement supersedes any statements previously issued pertaining to the product(s) listed below and is subject to change without notice.

Model No : 056T11D11005

(Model No. may contain prefix and/or suffix characters)

Catalog No : G061A

Rework No : N/A

Directives :

Low Voltage Directive 2014/35/EU

Harmonized Standards Used :

EN 60034-1: 2010 (IEC 60034-1: 2010)

EN 60034-5: 2001/A1:2007 (IEC 60034-5: 2000/A1:2006)

Authorized Representative:



Michael A. Logsdon
Vice President, Technology

Authorized Representative in the Community:



Julian Clark
Marketing Engineer

Created on 09/01/2022

CE 22