

PRODUCT INFORMATION PACKET

marathon[®]
Motors

Model No: 056T17DRR70047A1

Catalog No: G062B

General Purpose Motor, 0.50 HP, 3 Ph, 60 Hz, 208 V, 1800 RPM, 56 Frame, DP

Regal and Marathon are trademarks of Regal Rexnord Corporation or one of its affiliated companies.

©2022 Regal Rexnord Corporation, All Rights Reserved. MC017097E

RegalRexnord



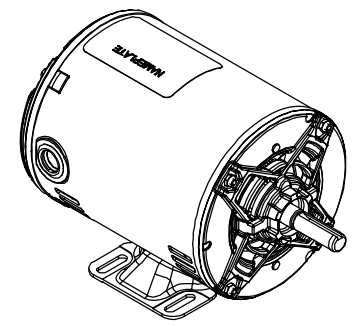
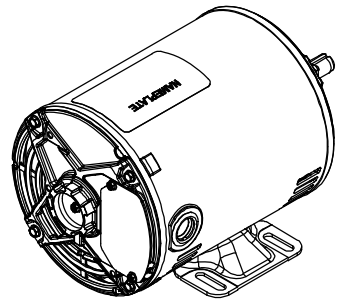
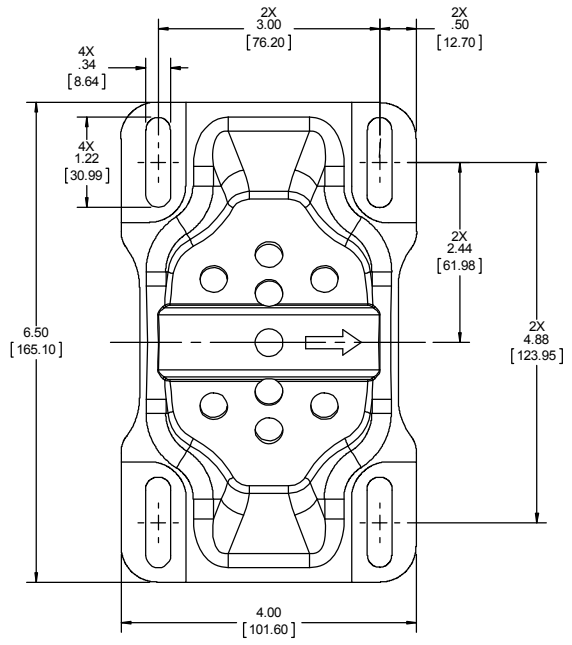
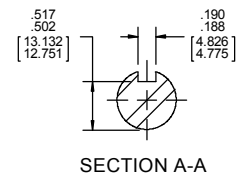
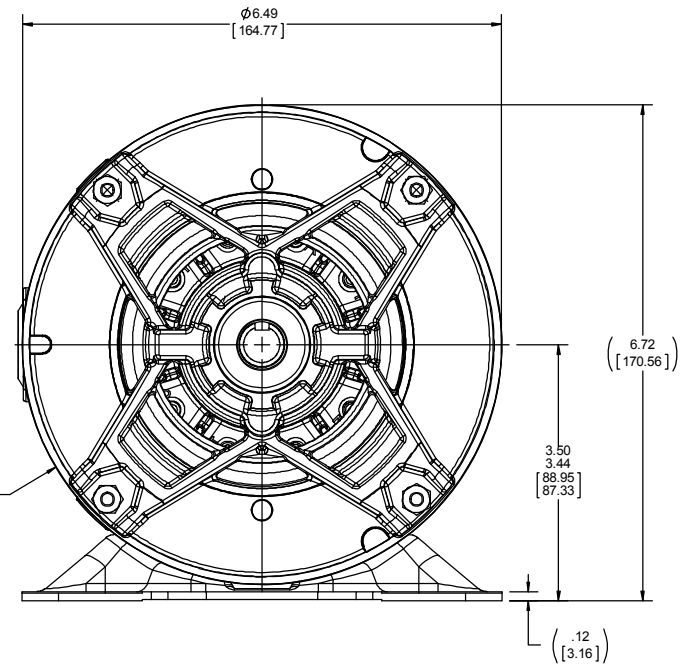
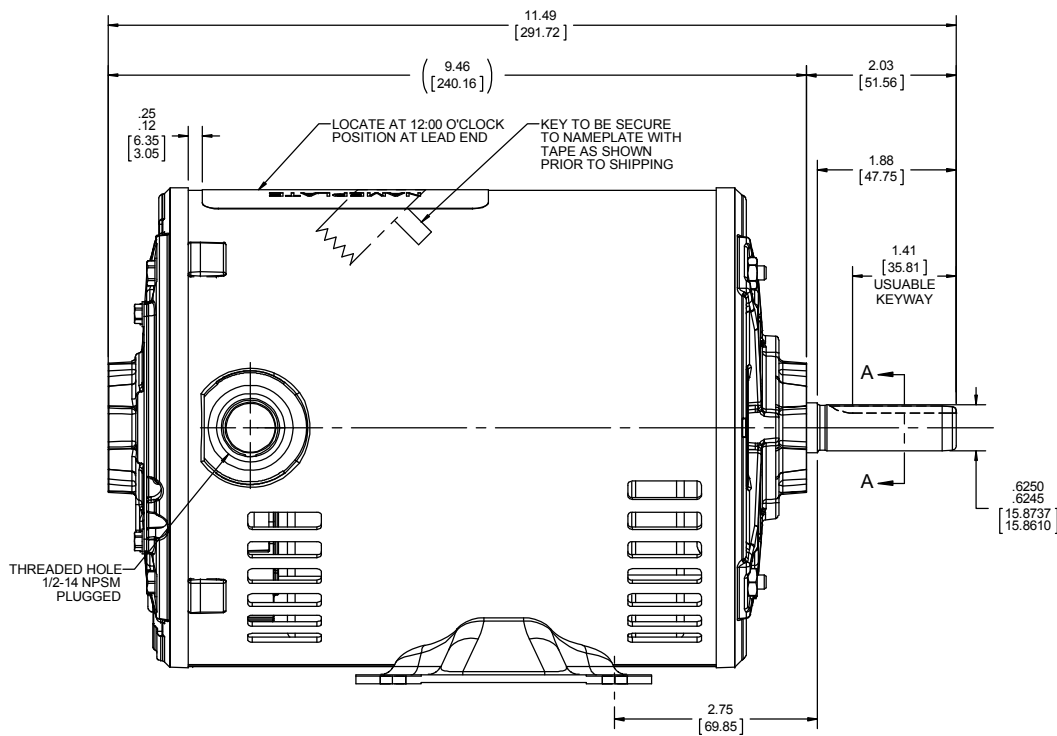
Nameplate Specifications

Output HP	0.50 Hp	Output KW	0.37 kW
Frequency	60 Hz	Voltage	208 V
Current	1.7 A	Speed	1725 rpm
Service Factor	1.25	Phase	3
Efficiency	78.2 %	Power Factor	70
Duty	Continuous	Insulation Class	B
Design Code	B	KVA Code	P
Frame	56	Enclosure	Drip Proof
Thermal Protection	No Protection	Ambient Temperature	40 °C
Drive End Bearing Size	6203	Opp Drive End Bearing Size	6203
UL	Recognized	CSA	Y
CE	Y	IP Code	22
Number of Speeds	1		

Technical Specifications

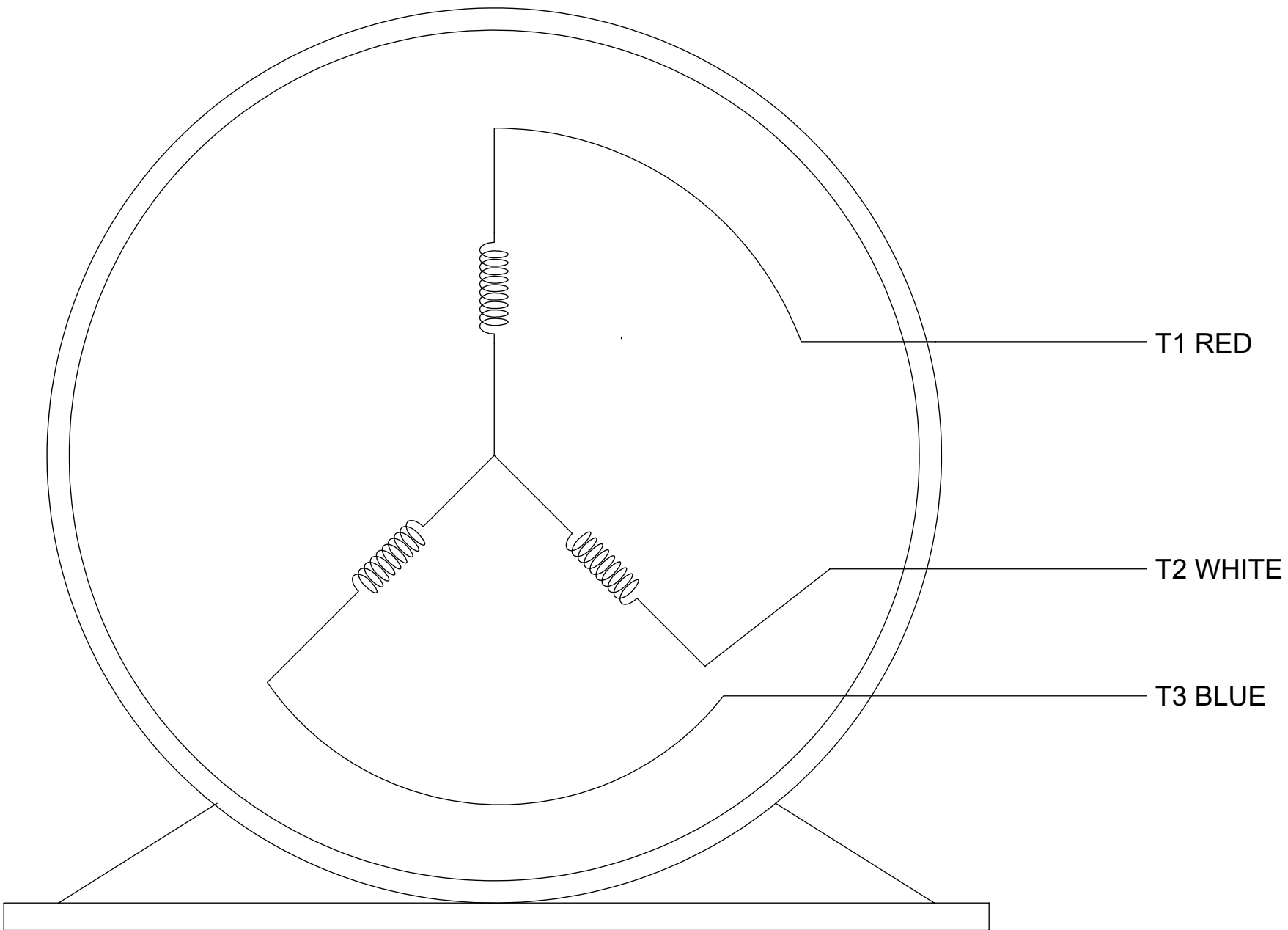
Electrical Type	Squirrel Cage Induction Run	Starting Method	Across The Line
Poles	4	Rotation	Reversible
Resistance Main	0 Ohms	Mounting	Rigid Base
Motor Orientation	Horizontal	Drive End Bearing	Ball
Opp Drive End Bearing	Ball	Frame Material	Rolled Steel
Shaft Type	NEMA 56	Assembly/Box Mounting	F1 ONLY
Connection Drawing	CDTS141	Outline Drawing	OL56100598-002

This is an uncontrolled document once printed or downloaded and is subject to change without notice. Date Created:11/29/2022



DRAWING REVISION C		REVISION BY SHESHI	DATE 09/10/2019	TOLERANCES UNLESS OTHERWISE SPECIFIED:		DRAWN BY SN		Regal Beloit America, Inc.	
ECO-0173279		APPROVED BY SN	DATE 09/10/2019	DEC.	INCH	mm	ANGLE		DATE 02/18/2019
ECO DESCRIPTION OUTLINE				LUPATED NAMEPLATE NOTE COPYRIGHT REGAL BELOIT AMERICA, INC. ALL RIGHTS RESERVED. PROPRIETARY AND CONFIDENTIAL INFORMATION. THIS DOCUMENT IS THE PROPERTY OF REGAL BELOIT AMERICA, INC. CONTAINING OWNERS PROPRIETARY INFORMATION. ANY PERSON, CORPORATION OR OTHER FIRM RECEIVING IT IS DEEMED BY RECEIVING IT, TO AGREE THAT IT, AND/OR ANY PART OF IT, SHALL NOT BE DISCLOSED TO ANY PERSON, CORPORATION OR OTHER ENTITY, DUPLICATED, AND/OR USED, EXCEPT AS EXPRESSLY APPROVED IN WRITING IN ADVANCE BY OWNER. THIS DOCUMENT SHALL BE RETURNED TO OWNER UPON REQUEST. IT MAY BE SUBJECT TO CERTAIN RESTRICTIONS UNDER APPLICABLE EXPORT CONTROL LAWS AND REGULATIONS.		.XX ±0.1 [±2.5] .XX ±0.02 [±0.51] .XXX ±0.005 [±0.127] .XXXX ±0.0005 [±0.0127]		APPROVED BY SN	DESCRIPTION 56FR, DP, 3-PHASE, RIGID
				REMOVE BURRS & BREAK SHARP EDGES: .0031 [0.0762] X 45° CORNER FILLETS: R.02 [0.51]		MACHINED SURFACES: 125 / 3.2 INCH / mmv		DATE 02/18/2019	MATERIAL OL56100521
				mm SHOWN IN [BRACKETS]		THIRD ANGLE PROJECTION		REFERENCE OL56100521	PROCESS/FINISH
						SIZE C		DRAWING NUMBER OL56100598-002	SHEET 1 OF 1

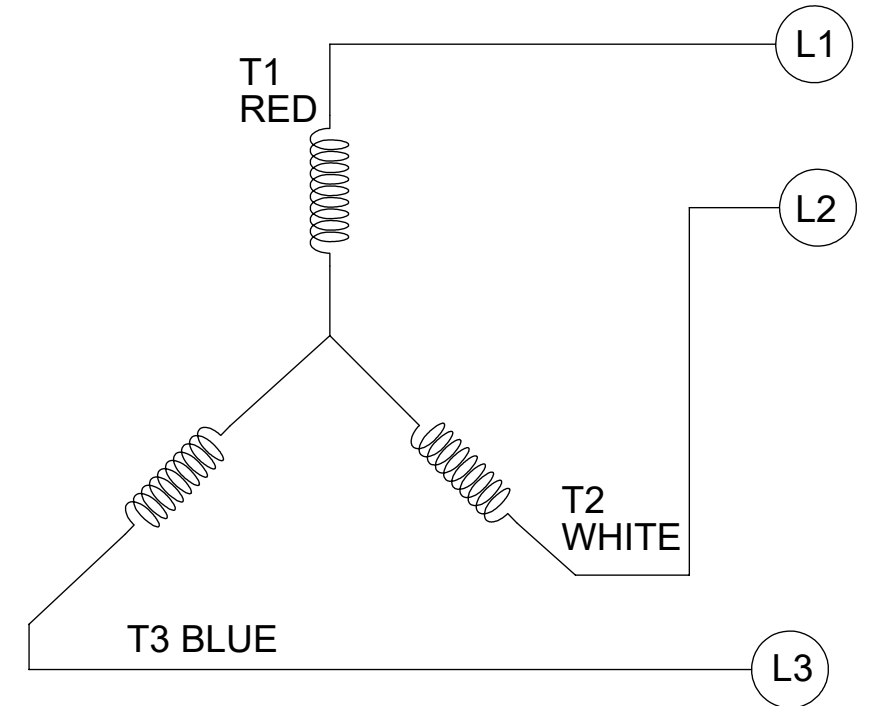
SINGLE VOLTAGE-THREE PHASE WITHOUT PROTECTOR



VIEW OF TERMINAL END

CCW-SINGLE VOLTAGE

001



NOTES:

1. TO REVERSE ROTATION, INTERCHANGE ANY TWO LINE CONNECTIONS TO L1, L2, OR L3.
2. CONNECTION DIAGRAM-NAMEPLATE DD10213-001

DRAWING REVISION B	REVISION BY PRASHANTH	REV DATE/© DATE 06/22/2022
REQUEST NUMBER NMR-0213855	APPROVED BY BHARGAVI	DATE 06/22/2022
REQUEST NUMBER DESCRIPTION CHANGED NOTES FROM LOW TO SINGLE VOLTAGE		
<small>COPYRIGHT (PER REVISION DATE) REGAL BELOIT AMERICA, INC. ALL RIGHTS RESERVED. PROPRIETARY AND CONFIDENTIAL INFORMATION - THIS DOCUMENT IS THE PROPERTY OF REGAL BELOIT AMERICA, INC. ("OWNER") AND CONTAINS OWNER'S PROPRIETARY INFORMATION. ANY PERSON, CORPORATION OR OTHER FIRM RECEIVING IT IS DEEMED, BY RECEIVING IT, TO AGREE THAT IT, AND/OR ANY PART OF IT, SHALL NOT BE DISCLOSED TO ANY PERSON, CORPORATION OR OTHER ENTITY, DUPLICATED, AND/OR USED, EXCEPT AS EXPRESSLY APPROVED IN WRITING IN ADVANCE BY OWNER. THIS DOCUMENT SHALL BE RETURNED TO OWNER UPON REQUEST. IT MAY BE SUBJECT TO CERTAIN RESTRICTIONS UNDER APPLICABLE EXPORT CONTROL LAWS AND REGULATIONS.</small>		

TOLERANCES (EXCEPT AS NOTED):			
DEC.	INCH	mm	ANGLE
.X	±0.1	[±3]	±0.5°
.XX	±0.01	[±0.3]	
.XXX	±0.005	[±0.13]	
.XXXX	±0.0005	[±0.013]	
REMOVE BURRS & BREAK SHARP EDGES: .003/.015 [.08/.38] X 45°			
CORNER FILLETS: R.02 [.5]			
MACHINED SURFACES: 125/3.2 INCH/mm			
mm DIMENSIONS IN [BRACKETS] ARE FOR REFERENCE ONLY			

DRAWN BY SHESHI
DATE 03/07/2019
APPROVED BY BHARGAVI
DATE 03/07/2019
REFERENCE CDTS139
THIRD ANGLE PROJECTION

		Regal Beloit America, Inc.
DESCRIPTION CONN DIAGRAM-EXTERNAL		
MATERIAL	PROCESS/FINISH	
SIZE B	DRAWING NUMBER CDTS141	SHEET 1 OF 1

MARATHON ELECTRIC CORPORATION

TYPICAL PERFORMANCE CURVE for AC MOTOR

Customer

Curve at

208

Volts

HP 0.50

PHASE 3

Model No 56T17DRR70047A1

60

HZ

VOLTS 208

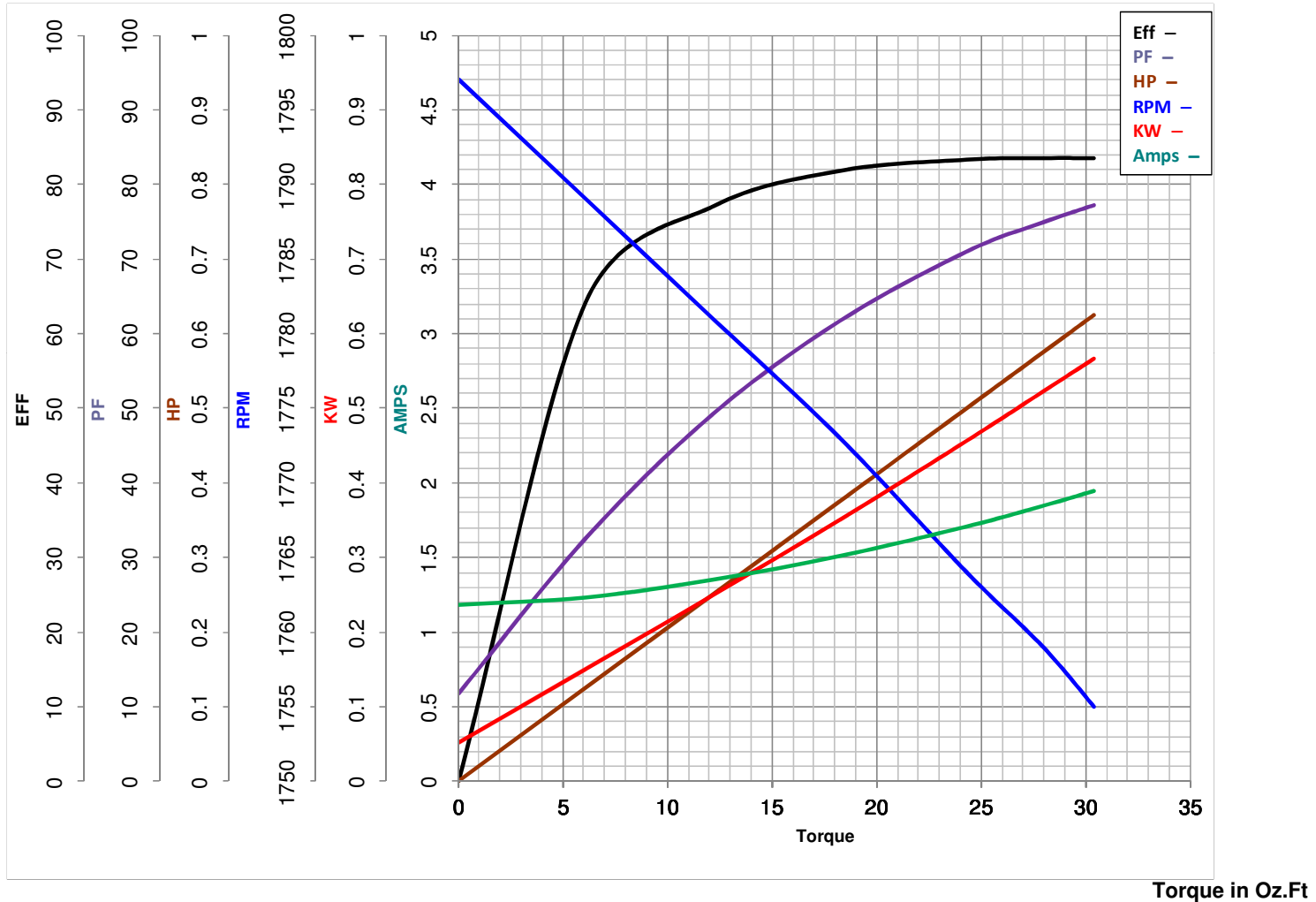
0.5

HP

Catalog No G062A

HZ 60

RPM 1725



FL TORQUE	<u>24.3</u>	Oz.Ft	FL AMPS	<u>1.7</u>	
BD TORQUE	<u>121.0</u>	Oz.Ft	PU TORQUE	<u>84.0</u>	Oz.Ft
LR TORQUE	<u>88</u>	Oz.Ft	LR AMPS	<u>15.3</u>	
WINDING	NT56468-1	Prepared By	BHARGAVI	Date	3/7/2019

EC Declaration of Conformity

The undersigned representing
the manufacturer:

Regal Beloit America
100 East Randolph St.
Wausau, WI 54401

and the authorized representative
established within the Community:

Marathon Electric UK
6F Thistleton Road Ind. Estate
Market Overton
Oakham, Rutland LE15 7PP UK

are committed to providing customers with products that comply with applicable regulations and international protocols to which they are subject, including the requirements of the European Parliament Directive on the Harmonization of the laws relating to electrical equipment designed for use within certain voltage limits (2014/35/EU).

Regal Beloit America declares that the following product(s), to which this declaration relates, are in conformity with the relevant sections of the EC standards listed below.

This statement supersedes any statements previously issued pertaining to the product(s) listed below and is subject to change without notice.

Model No : 056T17DRR70047A1

(Model No. may contain prefix and/or suffix characters)

Catalog No : G062B

Rework No : N/A

Directives :

Low Voltage Directive 2014/35/EU

Harmonized Standards Used :

EN 60034-1: 2010 (IEC 60034-1: 2010)

EN 60034-5: 2001/A1:2007 (IEC 60034-5: 2000/A1:2006)

Authorized Representative:



Michael A. Logsdon
Vice President, Technology

Authorized Representative in the Community:



Julian Clark
Marketing Engineer

Created on 09/01/2022

CE 22