

# PRODUCT INFORMATION PACKET

Model No: 056T11D15522

Catalog No: G067A

General Purpose Motor, 0.50 HP, 3 Ph, 60 Hz, 230/460 V, 1200 RPM, 56 Frame, DP



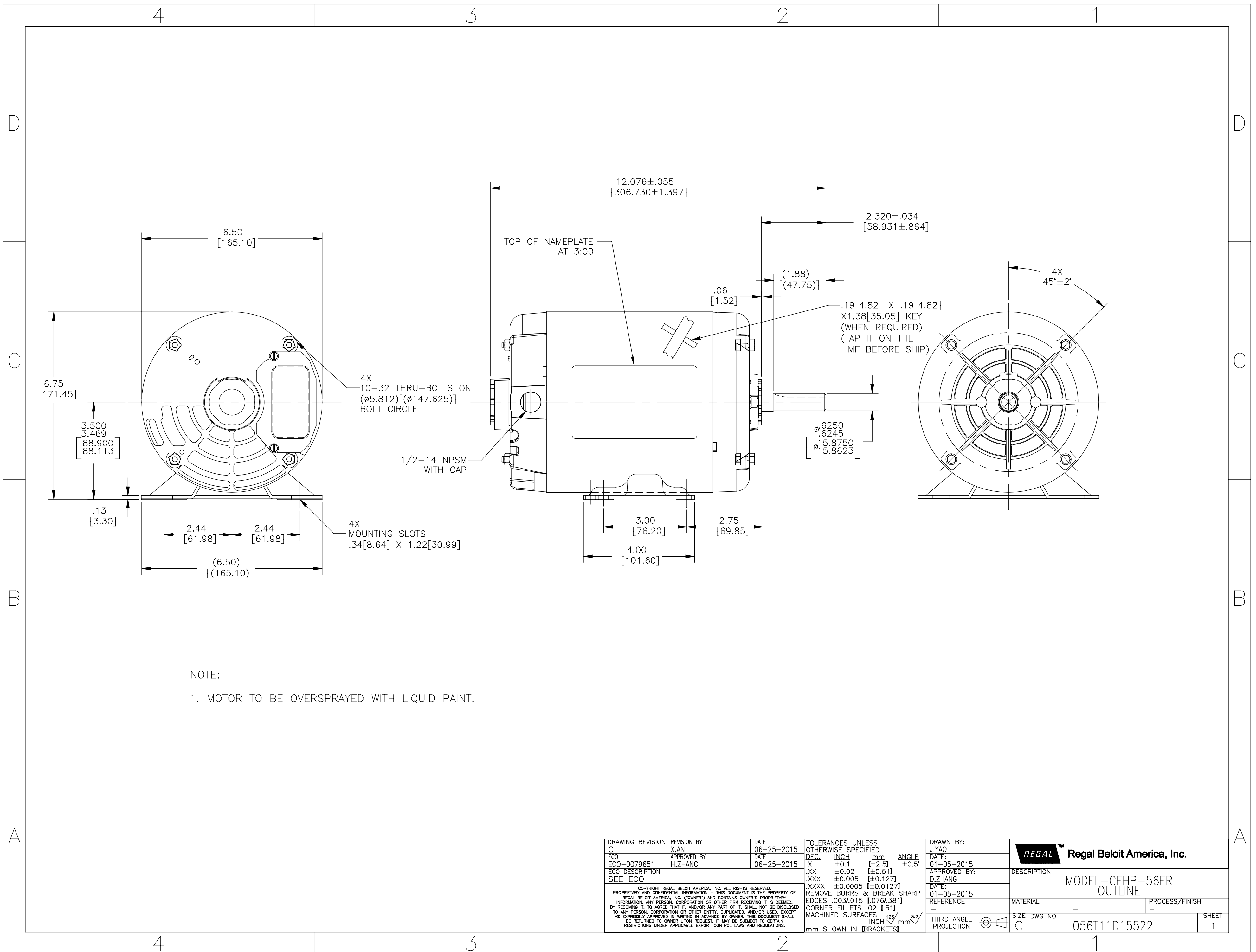
Regal and are trademarks of Regal Rexnord Corporation or one of its affiliated companies.  
©2022 Regal Rexnord Corporation, All Rights Reserved. MC017097E

**Nameplate Specifications**

Output HP	<b>0.50 Hp</b>	Output KW	<b>0.37 kW</b>
Frequency	<b>60 Hz</b>	Voltage	<b>230/460 V</b>
Current	<b>2.8/1.4 A</b>	Speed	<b>1140 rpm</b>
Service Factor	<b>1.25</b>	Phase	<b>3</b>
Efficiency	<b>75.3 %</b>	Power Factor	<b>45.9</b>
Duty	<b>Continuous</b>	Insulation Class	<b>B</b>
Design Code	<b>B</b>	KVA Code	<b>N</b>
Frame	<b>56</b>	Enclosure	<b>Drip Proof</b>
Thermal Protection	<b>No Protection</b>	Ambient Temperature	<b>40 °C</b>
Drive End Bearing Size	<b>6203</b>	Opp Drive End Bearing Size	<b>6203</b>
UL	<b>Recognized</b>	CSA	<b>Y</b>
CE	<b>Y</b>	IP Code	<b>22</b>
Number of Speeds	<b>1</b>		

**Technical Specifications**

Electrical Type	<b>Squirrel Cage Induction Run</b>	Starting Method	<b>Across The Line</b>
Poles	<b>6</b>	Rotation	<b>Reversible</b>
Resistance Main	<b>23 Ohms</b>	Mounting	<b>Rigid Base</b>
Motor Orientation	<b>Horizontal</b>	Drive End Bearing	<b>Ball</b>
Opp Drive End Bearing	<b>Ball</b>	Frame Material	<b>Rolled Steel</b>
Shaft Type	<b>T</b>	Overall Length	<b>12.06 in</b>
Shaft Diameter	<b>0.625 in</b>	Shaft Extension	<b>1.88 in</b>
Assembly/Box Mounting	<b>F1 OUT ODE BRKT RADIAL</b>		
Outline Drawing	<b>056T11D15522-S01</b>	Connection Drawing	<b>D0000532-001</b>



DRAWING REVISION C	REVISION BY X.AN	DATE 06-25-2015	TOLERANCES UNLESS OTHERWISE SPECIFIED	DRAWN BY: J.YAO	<b>Regal Beloit America, Inc.</b>	
ECO ECO-0079651	APPROVED BY H.ZHANG	DATE 06-25-2015	DEC. INCH mm ANGLE .XX ±0.1 [±2.5] ±0.5° .XX ±0.02 [±0.51] .XXX ±0.005 [±0.127] .XXXX ±0.0005 [±0.0127]	DATE: 01-05-2015		
ECO DESCRIPTION SEE ECO	<small>COPYRIGHT REGAL BELOIT AMERICA, INC. ALL RIGHTS RESERVED. PROPRIETARY AND CONFIDENTIAL INFORMATION - THIS DOCUMENT IS THE PROPERTY OF REGAL BELOIT AMERICA, INC. (OWNERS) AND CONTAINS OWNERS PROPRIETARY INFORMATION. ANY PERSON, CORPORATION OR OTHER FIRM RECEIVING IT IS DEEMED, BY RECEIVING IT, TO AGREE THAT IT, AND/OR ANY PART OF IT, SHALL NOT BE DISCLOSED TO ANY PERSON, CORPORATION OR OTHER ENTITY, DUPLICATED, AND/OR USED, EXCEPT AS EXPRESSLY APPROVED IN WRITING IN ADVANCE BY OWNER. THIS DOCUMENT SHALL BE RETURNED TO OWNER UPON REQUEST. IT MAY BE SUBJECT TO CERTAIN RESTRICTIONS UNDER APPLICABLE EXPORT CONTROL LAWS AND REGULATIONS.</small>		REMOVE BURRS & BREAK SHARP EDGES .003/.015 [0.076/.381] CORNER FILLETS .02 [51] MACHINED SURFACES 125/INCH 3.2/mm	APPROVED BY: D.ZHANG	DESCRIPTION MODEL-CFHP-56FR OUTLINE	
			THIRD ANGLE PROJECTION	DATE: 01-05-2015	MATERIAL	PROCESS/FINISH
			SIZE DWG NO C 056T11D15522	REFERENCE		
			mm SHOWN IN [BRACKETS]			SHEET 1

4

3

2

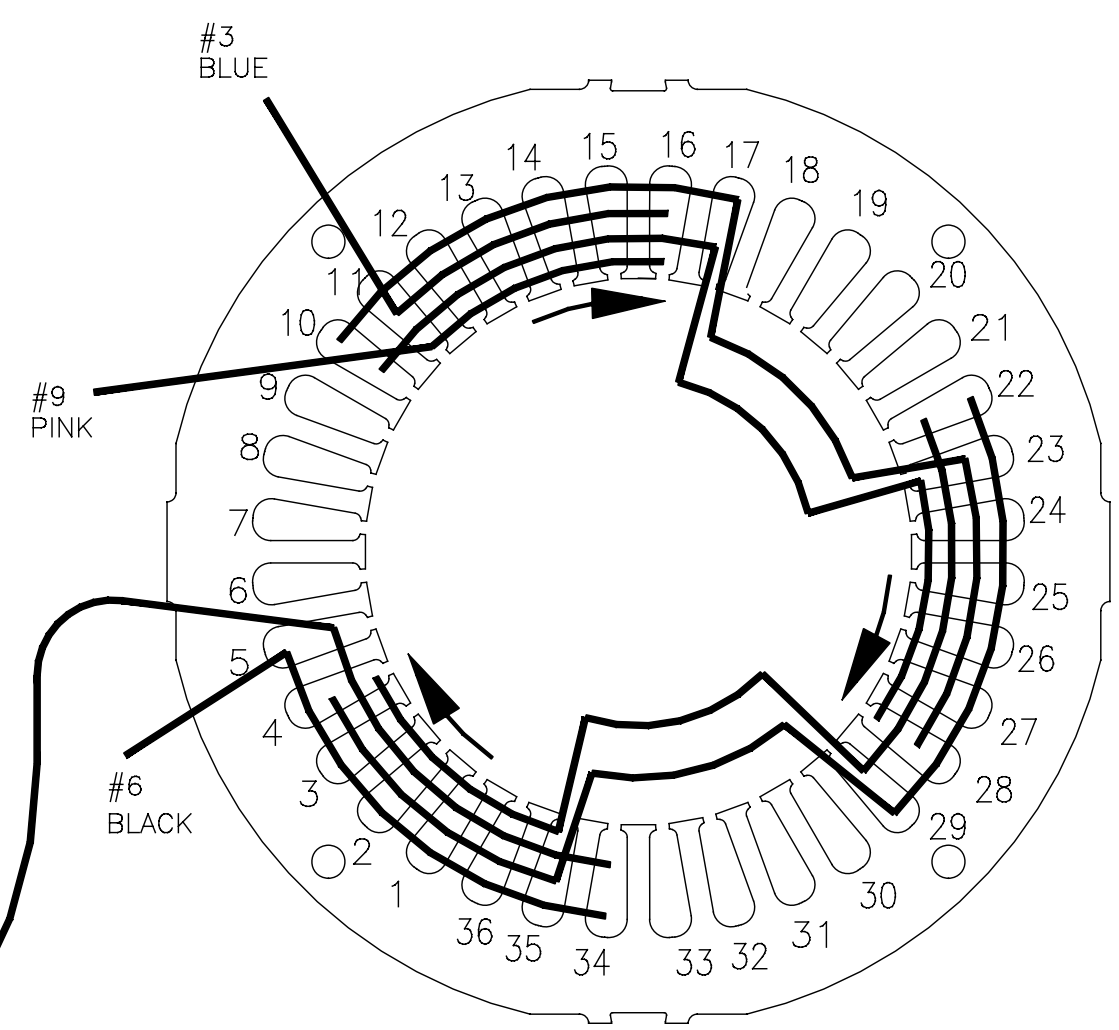
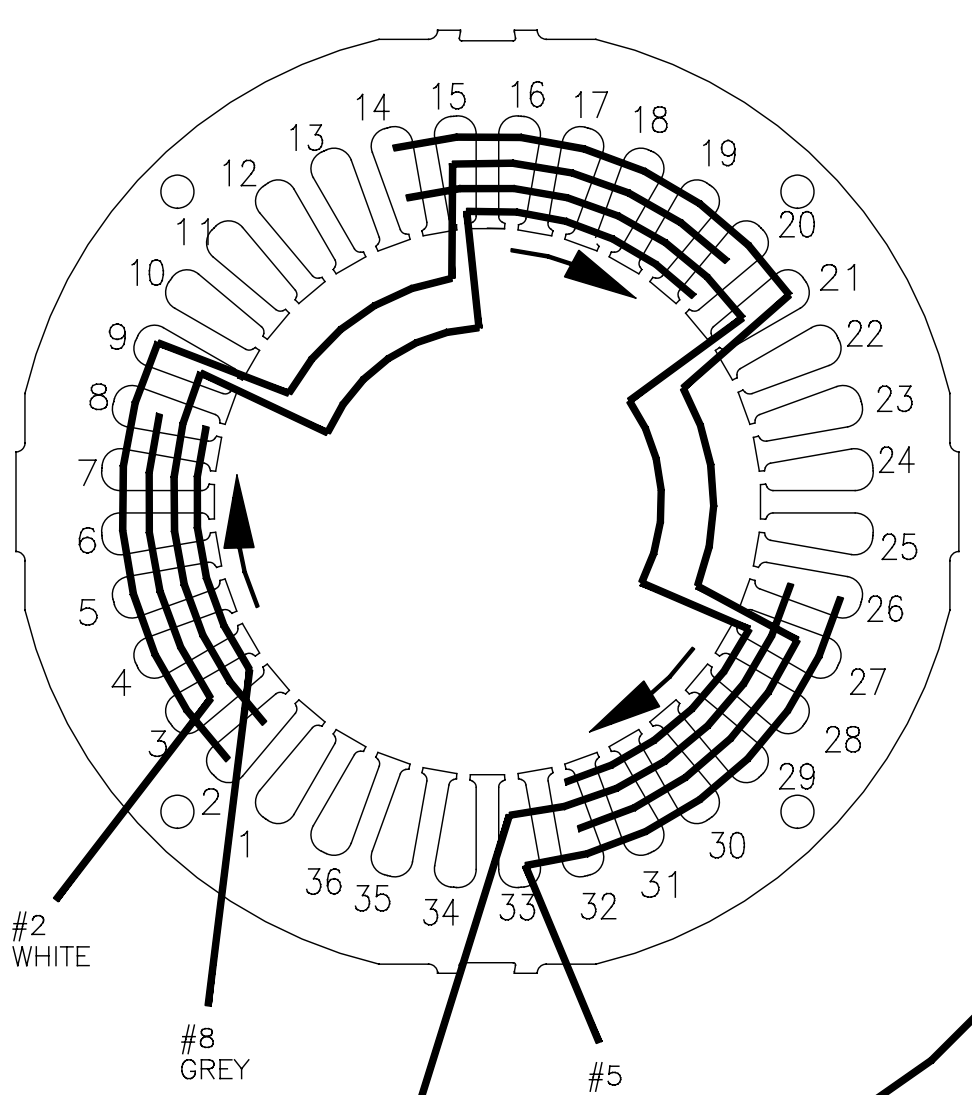
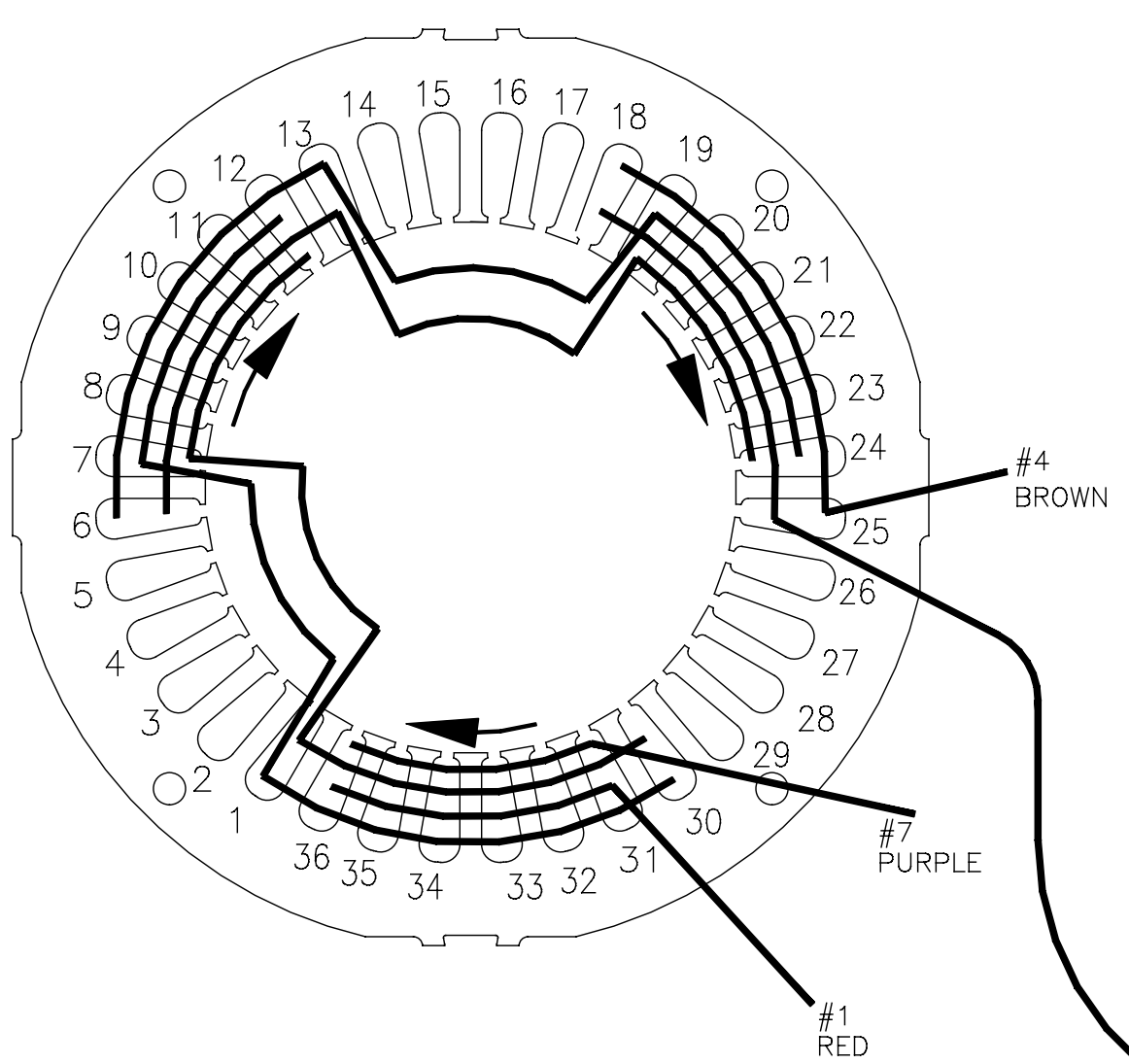
1

ALL POLES ARE WOUND IN REVERSE (CCW) DIRECTION AS VIEWED FROM OUTSIDE OF STATOR.

FIRST INSERTION

SECOND INSERTION

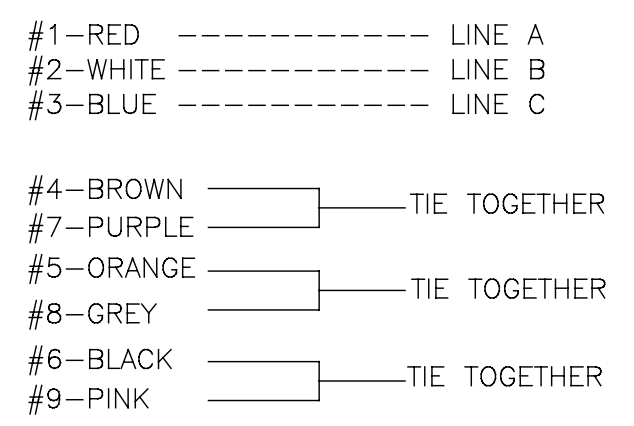
THIRD INSERTION



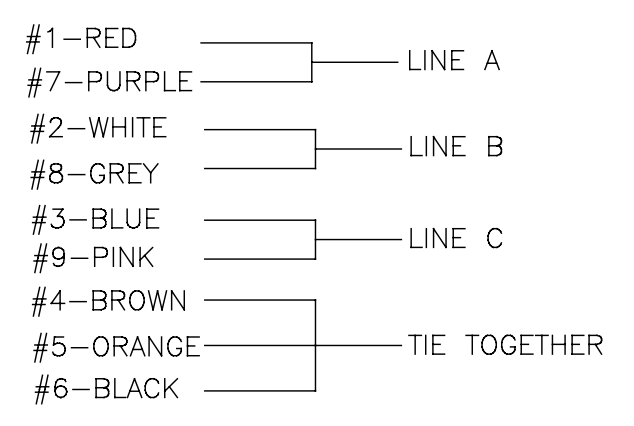
NOTES:

- 1.-LEADS MAY BE MULTI-COLORED AS SHOWN FOR GROUP -01 OR SINGLE COLOR FOR GROUP -02. IN EITHER CASE THE NUMBERING SEQUENCE WILL BE THE SAME.
- 2.-POWER SUPPLY PHASE SEQUENCE  
POWER SUPPLY SHALL BE TESTED WITH A KNOPP INDICATOR TO PROVIDE A PHASE SEQUENCE OF A.B.C.
- 3.-ROTATION OF ROTOR VIEWED FROM LEAD END MUST BE COUNTER CLOCKWISE. IF ROTATION IS NOT C.C.W. INTERCHANGETHE FOLLOWING LEADS:  
#1-RED WITH #2-WHITE  
#4-BROWN WITH #5-ORANGE  
#7-PURPLE WITH #8-GREY

HIGH VOLTAGE  
CONNECT AS FOLLOWS



LOW VOLTAGE  
CONNECT AS FOLLOWS



DRAWING REVISION B	REVISION BY A.BAUGHMAN	DATE 09-30-2015	TOLERANCES UNLESS OTHERWISE SPECIFIED DEC. INCH mm ANGLE .XX ±0.02 [±0.51] ±0.5° .XXX ±0.005 [±0.127] .XXXX ±0.0005 [±0.0127]	DRAWN BY: E.SINECIO	<b>Regal Beloit America, Inc.</b>
ECO ECO-0086099	APPROVED BY A.BAUGHMAN	DATE 09-30-2015	REMOVE BURRS & BREAK SHARP EDGES .003/.015 [0.076/.381] CORNER FILLETS .02 [.51] MACHINED SURFACES 125/ mm 3.2/ INCH mm	DATE: 07-03-2014	
SEE ECO	<small>COPYRIGHT REGAL BELOIT AMERICA, INC. ALL RIGHTS RESERVED. PROPRIETARY AND CONFIDENTIAL INFORMATION - THIS DOCUMENT IS THE PROPERTY OF REGAL BELOIT AMERICA, INC. (OWNERS) AND CONTAINS OWNERS PROPRIETARY INFORMATION. ANY PERSON, CORPORATION OR OTHER FIRM RECEIVING IT IS DEEMED, BY RECEIVING IT, TO AGREE THAT IT, AND/OR ANY PART OF IT, SHALL NOT BE DISCLOSED TO ANY PERSON, CORPORATION OR OTHER ENTITY, DUPLICATED, AND/OR USED, EXCEPT AS EXPRESSLY APPROVED IN WRITING IN ADVANCE BY OWNER. THIS DOCUMENT SHALL BE RETURNED TO OWNER UPON REQUEST. IT MAY BE SUBJECT TO CERTAIN RESTRICTIONS UNDER APPLICABLE EXPORT CONTROL LAWS AND REGULATIONS.</small>		APPROVED BY: V.GONZALEZ	DESCRIPTION CONN DIAGRAM-INTERNAL	
			MATERIAL	PROCESS/FINISH	SIZE DWG NO C D0000532-001
			THIRD ANGLE PROJECTION	SHEET 1	

4

3

2

1

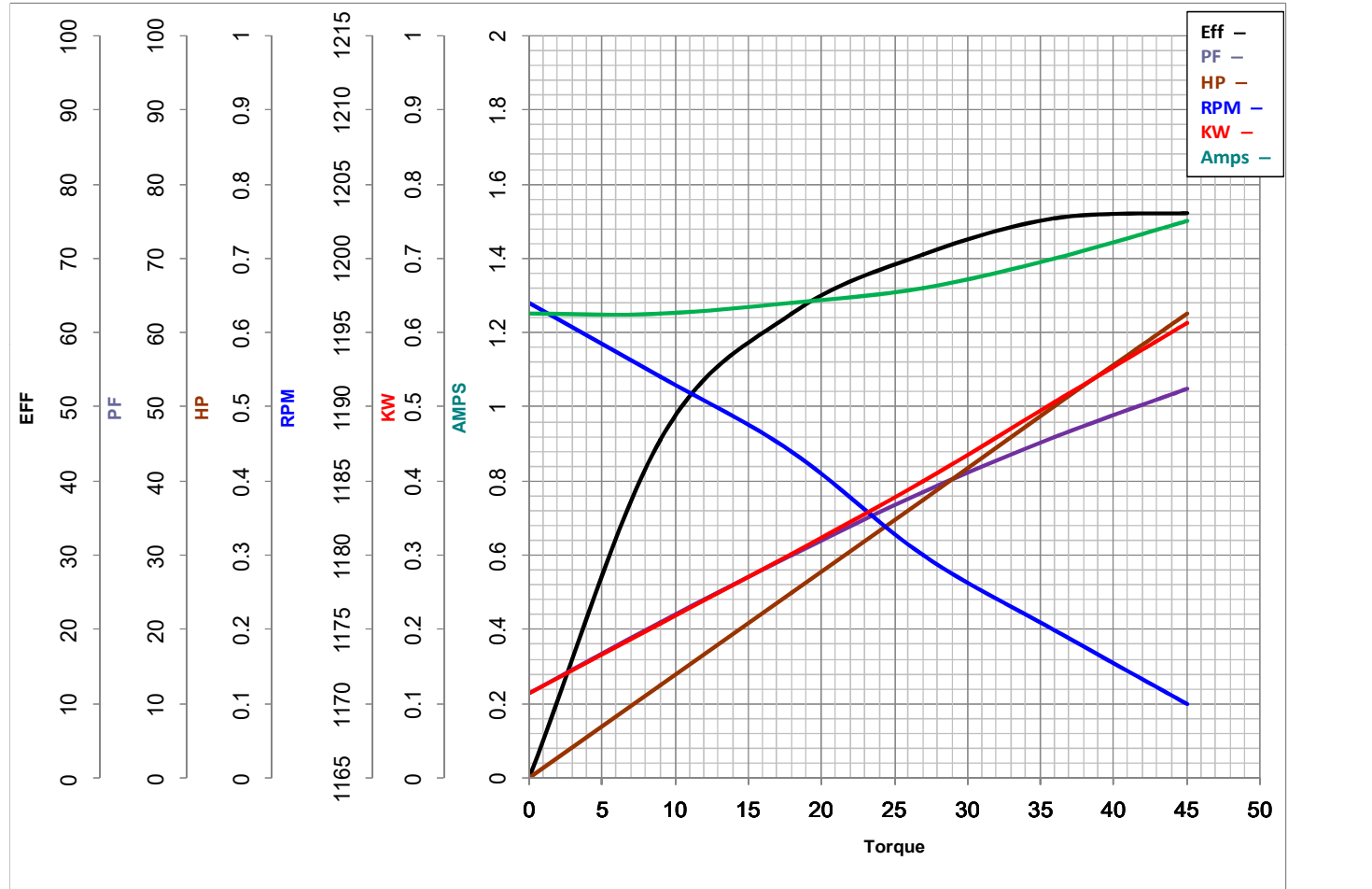


\*\* Subject to change without notice.



**MARATHON ELECTRIC CORPORATION**  
TYPICAL PERFORMANCE CURVE for AC MOTOR

Customer \_\_\_\_\_ Curve at 460 Volts HP 0.5&0.33 PHASE 3  
 Model No 56T11D15522 60 HZ  
0.5 HP VOLTS 230/460&190/380  
 Catalog No G067A HZ 60&50 RPM 1140&950



FL TORQUE	<u>36</u>	Oz.Ft	FL AMPS	<u>2.8/1.4</u>	
BD TORQUE	<u>171.5</u>	Oz.Ft	PU TORQUE	<u>115.0</u>	Oz.Ft
LR TORQUE	<u>117</u>	Oz.Ft	LR AMPS	<u>7.3</u>	
WINDING	SS0053914-3		Date	1/22/2019	

## EC Declaration of Conformity

The undersigned representing  
the manufacturer:

Regal Beloit America  
100 East Randolph St.  
Wausau, WI 54401

and the authorized representative  
established within the Community:

Marathon Electric UK  
6F Thistleton Road Ind. Estate  
Market Overton  
Oakham, Rutland LE15 7PP UK

are committed to providing customers with products that comply with applicable regulations and international protocols to which they are subject, including the requirements of the European Parliament Directive on the Harmonization of the laws relating to electrical equipment designed for use within certain voltage limits (2014/35/EU).

Regal Beloit America declares that the following product(s), to which this declaration relates, are in conformity with the relevant sections of the EC standards listed below.

This statement supersedes any statements previously issued pertaining to the product(s) listed below and is subject to change without notice.

Model No : 056T11D15522

(Model No. may contain prefix and/or suffix characters)

Catalog No : G067A

Rework No : N/A

Directives :

Low Voltage Directive 2014/35/EU

Harmonized Standards Used :

EN 60034-1: 2010 (IEC 60034-1: 2010)

EN 60034-5: 2001/A1:2007 (IEC 60034-5: 2000/A1:2006)

Authorized Representative:



Michael A. Logsdon  
Vice President, Technology

Authorized Representative in the Community:



Julian Clark  
Marketing Engineer

Created on 09/01/2022

**CE 22**