

PRODUCT INFORMATION PACKET

Model No: 056T17T5305

Catalog No: G580

General Purpose Motor, 0.33 HP, 3 Ph, 60 Hz, 208-230/460 V, 1800 RPM, 56C Frame, TENV



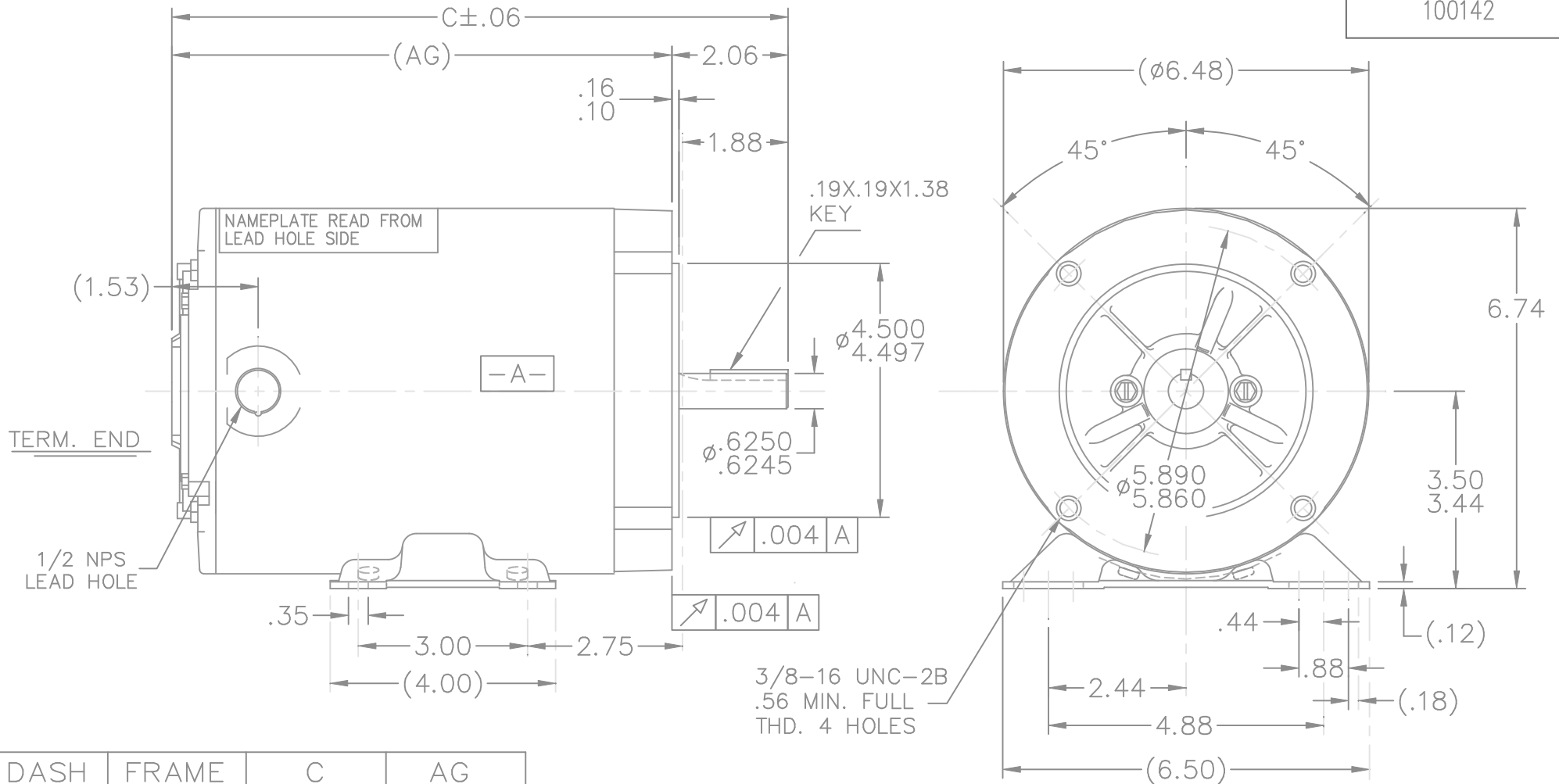
Regal and are trademarks of Regal Rexnord Corporation or one of its affiliated companies.
©2022 Regal Rexnord Corporation, All Rights Reserved. MC017097E

Nameplate Specifications

Output HP	0.33 Hp	Output KW	0.25 kW
Frequency	60 Hz	Voltage	208-230/460 V
Current	1.8-1.6/0.80 A	Speed	1725 rpm
Service Factor	1.15	Phase	3
Efficiency	68 %	Power Factor	61.9
Duty	Continuous	Insulation Class	F
Design Code	B	KVA Code	N
Frame	56C	Enclosure	Totally Enclosed Non Ventilated
Thermal Protection	No Protection	Ambient Temperature	40 °C
Drive End Bearing Size	6203	Opp Drive End Bearing Size	6203
UL	Recognized	CSA	Y
CE	Y	IP Code	43
Number of Speeds	1		

Technical Specifications

Electrical Type	Squirrel Cage Inverter Rated	Starting Method	Line Or Inverter
Poles	4	Rotation	Reversible
Resistance Main	44.4 Ohms	Mounting	Bolt-on Base
Motor Orientation	Horizontal Or Up Or Down	Drive End Bearing	Ball
Opp Drive End Bearing	Ball	Frame Material	Rolled Steel
Shaft Type	NEMA 56	Overall Length	9.93 in
Frame Length	6.06 in	Shaft Diameter	0.625 in
Shaft Extension	2.06 in	Assembly/Box Mounting	F1 ONLY
Inverter Load	CONSTANT 2000:1		
Connection Drawing	A-EE7308	Outline Drawing	A-100142-606



DASH	FRAME	C	AG
606	56-60	9.93	7.87
656	56-65	10.43	8.37

				TOLERANCES UNLESS SPECIFIED			DRAWN KL 04-15-1994				
				DEC.	INCHES		CHK ML 04-16-1994				
				.X	$\pm .1$		APPD GK 04-16-1994				
5	REDRAWN IN AUTOCAD	TAT 06-29-2004	ML	.XX	$\pm .03$	TITLE OUTLINE 56 FR.-BB-3 PHASE-'C' FACE (DIST.)	SCALE 3=8				
4	UPDATED TO NEW REAR BRACKET	BLR		.XXX	$\pm .005$		REF				
3	REDRAWN ON CADD - NO CHANGE	KL 04-16-1994		.XXXX	$\pm .0005$	MAT'L. FINISH	FMF				
NO.	REVISION	BY & DATE	CHK	ANG	$\pm 7'30''$		PREV				
THIS DRAWING IN DESIGN AND DETAIL IS OUR PROPERTY AND MUST NOT BE USED EXCEPT IN CONNECTION WITH OUR WORK ALL RIGHTS OF DESIGN AND INVENTION ARE RESERVED THIS IS AN ELECTRONICALLY GENERATED DOCUMENT - DO NOT SCALE THIS PRINT				RFP	CAD FILE 100142		SIZE	DRAWING NO.	PAGE	OF	REV.
				DIST	WP		A	100142			5



NO.	REVISION	BY & DATE	CHK	ANG	TOLERANCES UNLESS SPECIFIED		FINISH	DRAWN RM 11/20/1990				
					DEC.	INCHES						
5	CHG TO REGAL LOGO	SL 09/10/2015	AB					CHK ML 11/21/1990				
4	REVISED IEC NOTATIONS	MSG 11/15/2011	CMN	.X	±.1			APPD SAS 04/24/2003				
3	ADDED IEC NOTATIONS... (U1), (V1) ETC. MU95194	MSG 5/10/2010	MJS	.XX	±.02		TITLE CONNECTION DIAGRAM	SCALE 1=1				
2	ADDED THE OPTIONAL CORD CONNECTION MU46318	RDH 04/24/2003	DRS	.XXX	±.005		3Ø - DUAL VOLTAGE MOTOR	REF				
1	REDRAWN	RM 11/20/1990		.XXXX	±.0005		MAT'L.	FMF				
					±7'30"			PREV				
THIS DRAWING IN DESIGN AND DETAIL IS OUR PROPERTY AND MUST NOT BE USED EXCEPT IN CONNECTION WITH OUR WORK ALL RIGHTS OF DESIGN AND INVENTION ARE RESERVED THIS IS AN ELECTRONICALLY GENERATED DOCUMENT - DO NOT SCALE THIS PRINT							RFP	CAD FILE ee7308	SIZE A	DRAWING NO. EE7308	PAGE OF 5	REV. 5
							DIST WP					

CERTIFICATION DATA SHEET

Model#: 56T17T5305 E
CONN. DIAGRAM: A-EE7308
OUTLINE: A-100142-606

WINDING#: ZT412 TR 3
ASSEMBLY: F1 ONLY

TYPICAL MOTOR PERFORMANCE DATA

HP	KW	SYNC. RPM	F.L. RPM	FRAME	ENCLOSURE	KVA CODE	DESIGN
1/3&1/4	0.25&0.19	1800	1725&1425	56C	TENV	N	B

PH	Hz	VOLTS	FL AMPS	START TYPE	DUTY	INSL	S.F	AMB°C	ELEVATION
3	60/50	208- 230/460#190/ 380	1.8- 1.6/.8&1.5/.75	ACROSS THE LINE	CONTINUOU S	F3	1.15/1.15	40	3300

FULL LOAD EFF: 68&68	3/4 LOAD EFF: 67.5	1/2 LOAD EFF: 66.5	GTD. EFF	ELEC. TYPE	NO LOAD AMPS
FULL LOAD PF: 61.9&60	3/4 LOAD PF: 51	1/2 LOAD PF: 40	64	SQ CAGE IND RUN	1 / .5

F.L. TORQUE	LOCKED ROTOR AMPS	L.R. TORQUE	B.D. TORQUE	F.L. RISE°C
1 LB-FT	10 / 5	4.3 LB-FT 430	5.3 LB-FT 530	50

SOUND PRESSURE @ 3 FT.	SOUND POWER	ROTOR WK^2	MAX. WK^2	SAFE STALL TIME	STARTS /HOUR	APPROX. MOTOR WGT
62 dBA	72 dBA	0.04 LB-FT^2	2 LB-FT^2	15 SEC.	2	22 LBS.

***** SUPPLEMENTAL INFORMATION *****

DE BRACKET TYPE	ODE BRACKET TYPE	MOUNT TYPE	ORIENTATION	SEVERE DUTY	HAZARDOUS LOCATION	DRIP COVER	SCREENS	PAINT
C-FACE	STANDARD	BOLT-ON	HORIZONTAL OR UP OR DOWN	FALSE	NONE	PROVISIONS ONLY	NONE	GRAY (POWDER)

BEARINGS		GREASE	SHAFT TYPE	SPECIAL DE	SPECIAL ODE	SHAFT MATERIAL	FRAME MATERIAL
DE	OPE						
BALL	BALL	POLYREX EM	STANDARD 56	NONE	NONE	1144 STRESSPROOF (C-223)	ROLLED STEEL
6203	6203						

THERMO-PROTECTORS				THERMISTORS	CONTROL	SPACE /n HEATERS
THERMOSTATS	PROTECTORS	WDG RTDs	BRG RTDs			
NONE	NOT	NONE	NONE	NONE	FALSE	NONE VOLTS

If Inverter equals NONE, contact factory for further information

*
N
O
T
E
S
*

INVERTER TORQUE: NONE
INV. HP SPEED RANGE: NONE
ENCODER: NONE
NONE NONE
NONE NONE PPR
BRAKE: NONE NONE
NONE P/N NONE
NONE NONE
NONE FT-LB NONE V NONE Hz

FORM 3531 REV.3 02/07/99

** Subject to change without notice.

Data Sheet

Date: 8/24/2017
 Customer: _____
 Attention: _____
 Submitted by: VINAYAK YERATE



56T17T5305

Submittal

Data @ 460 V

Motor Load Data

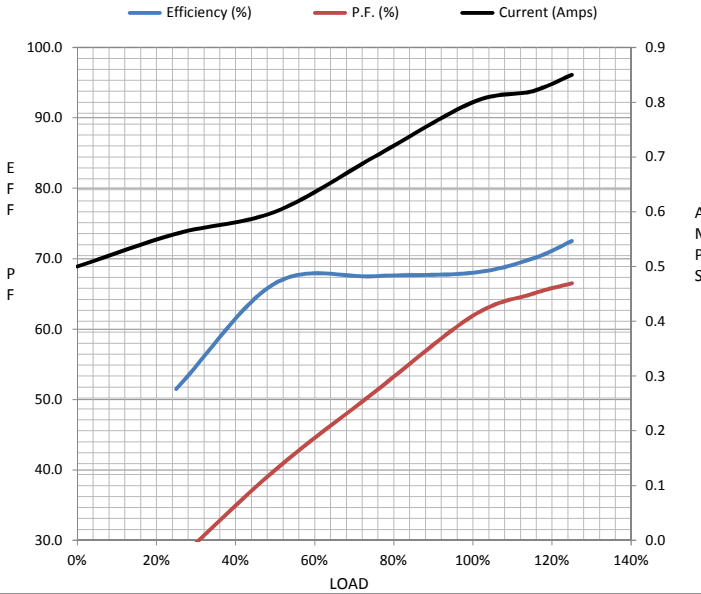
Load	0%	25%	50%	75%	100%	115%	125%	LR
Current (Amps)	0.50	0.56	0.60	0.70	0.80	0.82	0.85	5.0
Torque (ft-lb)	0.00	0.25	0.50	0.75	1.00	1.20	1.30	4.3
RPM	1800	1785	1770	1750	1725	1,720	1715	0
Efficiency (%)		51.5	66.5	67.5	68.0	70.0	72.5	
P.F. (%)	12.5	27.0	40.0	51.0	61.9	65.0	66.5	70.0

Motor Speed Data

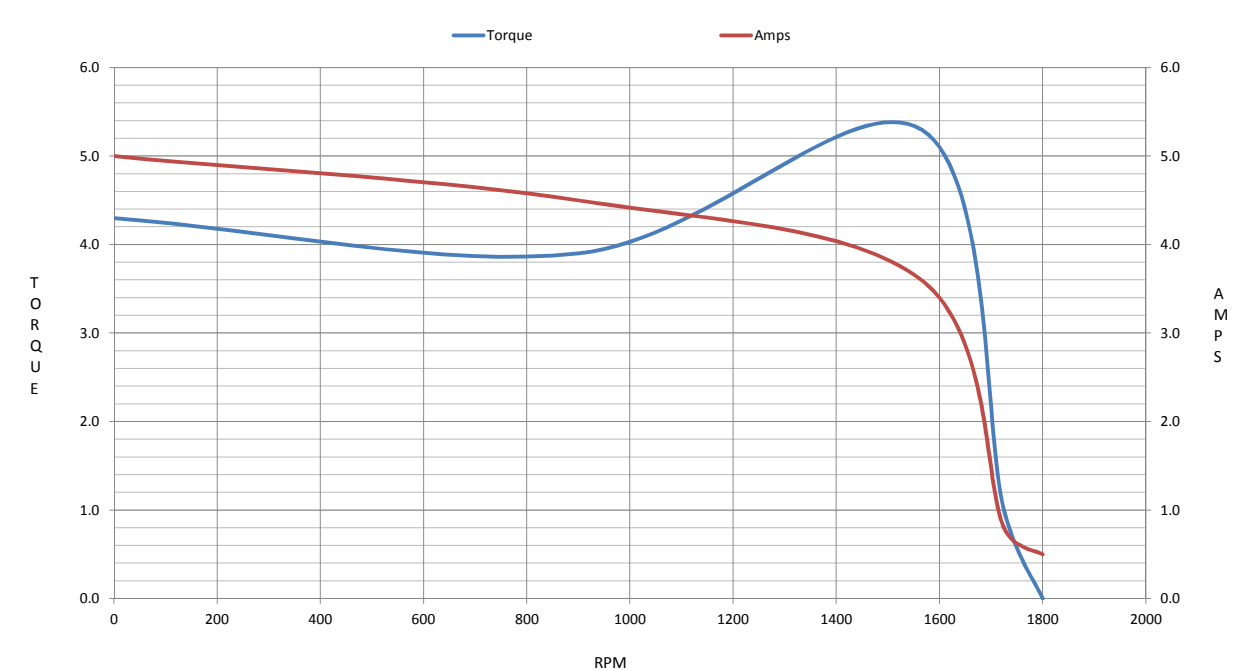
	LR	Pull-Up	BD	Rated	Idle
Speed (RPM)	0	900	1565	1725	1800
Current (Amps)	5.0	4.5	3.6	0.80	0.50
Torque (ft-lb)	4.3	3.9	5.3	1.00	0.00

Information Block

HP	0.3			
Sync. RPM	1800			
Frame	56			
Enclosure	TENV			
Construction	TTR			
Voltage	208-230/460#190/380 V			
Frequency	60 Hz			
Design	B			
LR Code letter	N			
Service Factor	1.15			
Temp Rise @ FL	50 °C			
Duty	CONT			
Ambient	40 °C			
Elevation	1,000 feet			
Rotor/Shaft wk ²	0.04 Lb-Ft ²			
Ref Wdg	ZT412 TR			
Sound Pressure @ 1M	62 dBA			
VFD Rating	NONE			
Outline Dwg	A-100142-606			
Conn. Diag	A-EE7308			
Additional Specifications:				
0				
0				
EQUIV CKT (OHMS / PHASE)				
R1	R2	X1	X2	Xm
23.9940	18.2320	27.8640	18.5760	489.3400



Speed - Torque Curve



EC Declaration of Conformity

The undersigned representing
the manufacturer:

Regal Beloit America
100 East Randolph St.
Wausau, WI 54401

and the authorized representative
established within the Community:

Marathon Electric UK
6F Thistleton Road Ind. Estate
Market Overton
Oakham, Rutland LE15 7PP UK

are committed to providing customers with products that comply with applicable regulations and international protocols to which they are subject, including the requirements of the European Parliament Directive on the Harmonization of the laws relating to electrical equipment designed for use within certain voltage limits (2014/35/EU).

Regal Beloit America declares that the following product(s), to which this declaration relates, are in conformity with the relevant sections of the EC standards listed below.

This statement supersedes any statements previously issued pertaining to the product(s) listed below and is subject to change without notice.

Model No : 056T17T5305

(Model No. may contain prefix and/or suffix characters)

Catalog No : G580

Rework No : N/A

Directives :

Low Voltage Directive 2014/35/EU

Harmonized Standards Used :

EN 60034-1: 2010 (IEC 60034-1: 2010)

EN 60034-5: 2001/A1:2007 (IEC 60034-5: 2000/A1:2006)

Authorized Representative:



Michael A. Logsdon
Vice President, Technology

Authorized Representative in the Community:



Julian Clark
Marketing Engineer

Created on 09/01/2022

CE 22