

PRODUCT INFORMATION PACKET

Model No: 056T17DRR70021A1

Catalog No: G905A

General Purpose Motor, 0.50 HP, 3 Ph, 60 Hz, 208-230/460 V, 1800 RPM, 56 Frame, DP



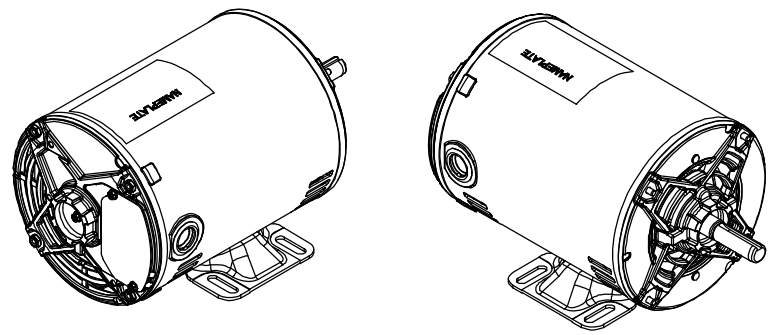
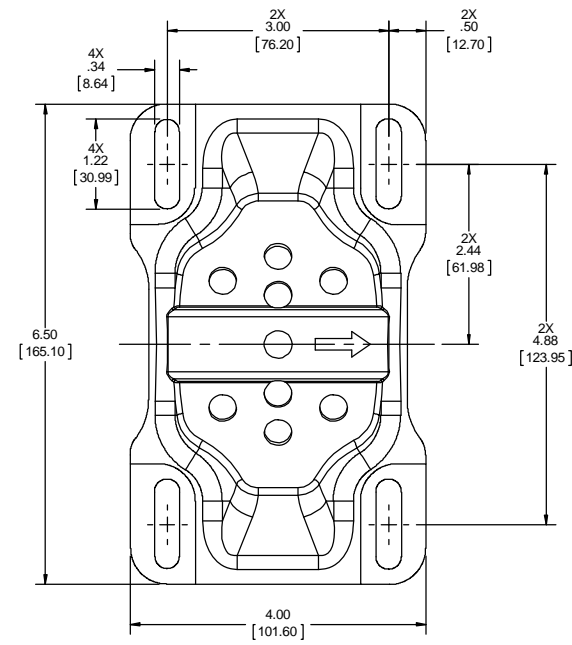
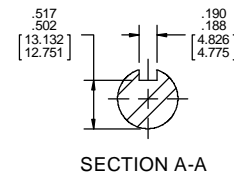
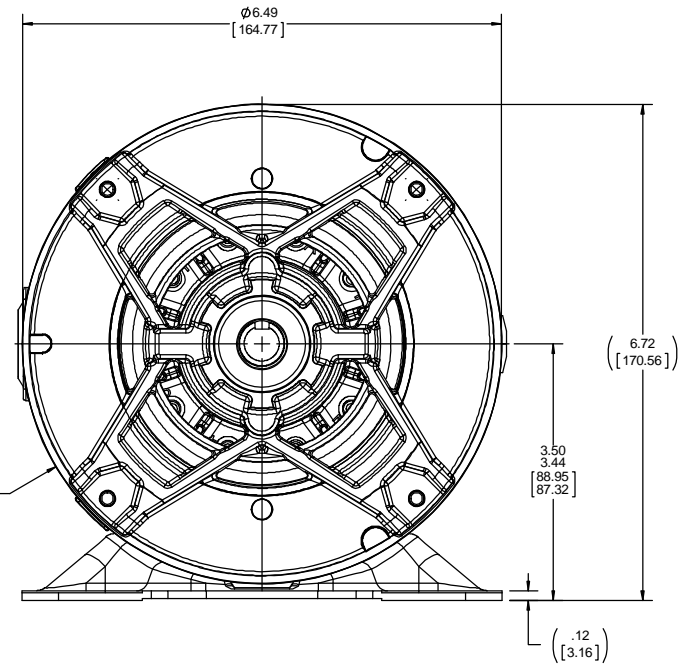
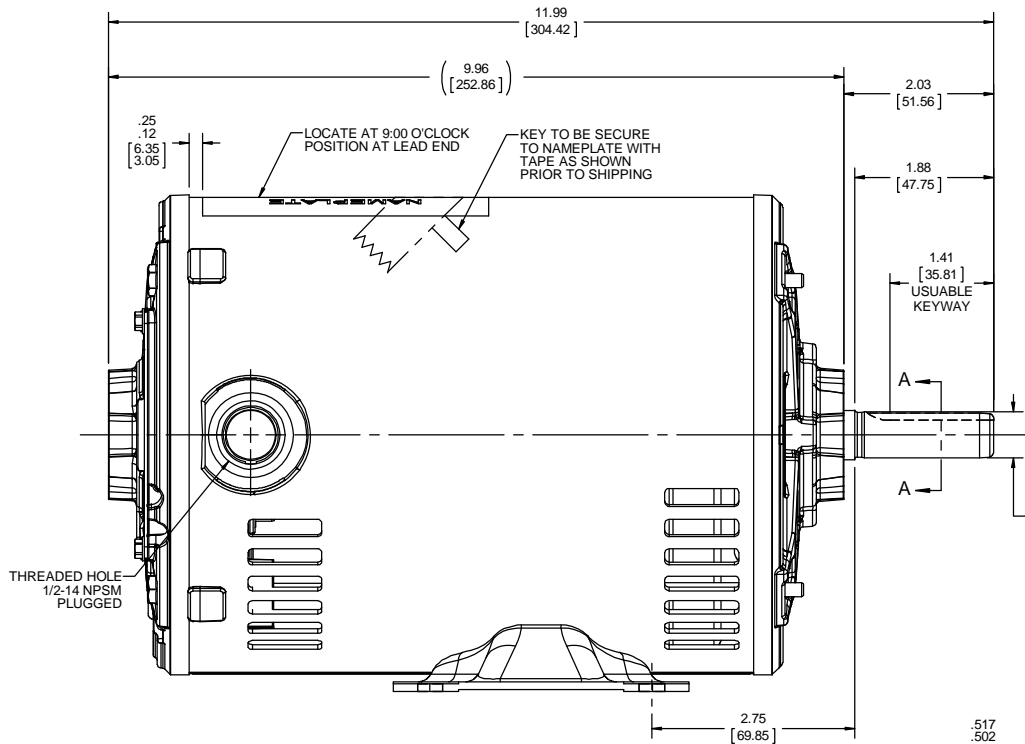
Regal and are trademarks of Regal Rexnord Corporation or one of its affiliated companies.
©2022 Regal Rexnord Corporation, All Rights Reserved. MC017097E

Nameplate Specifications

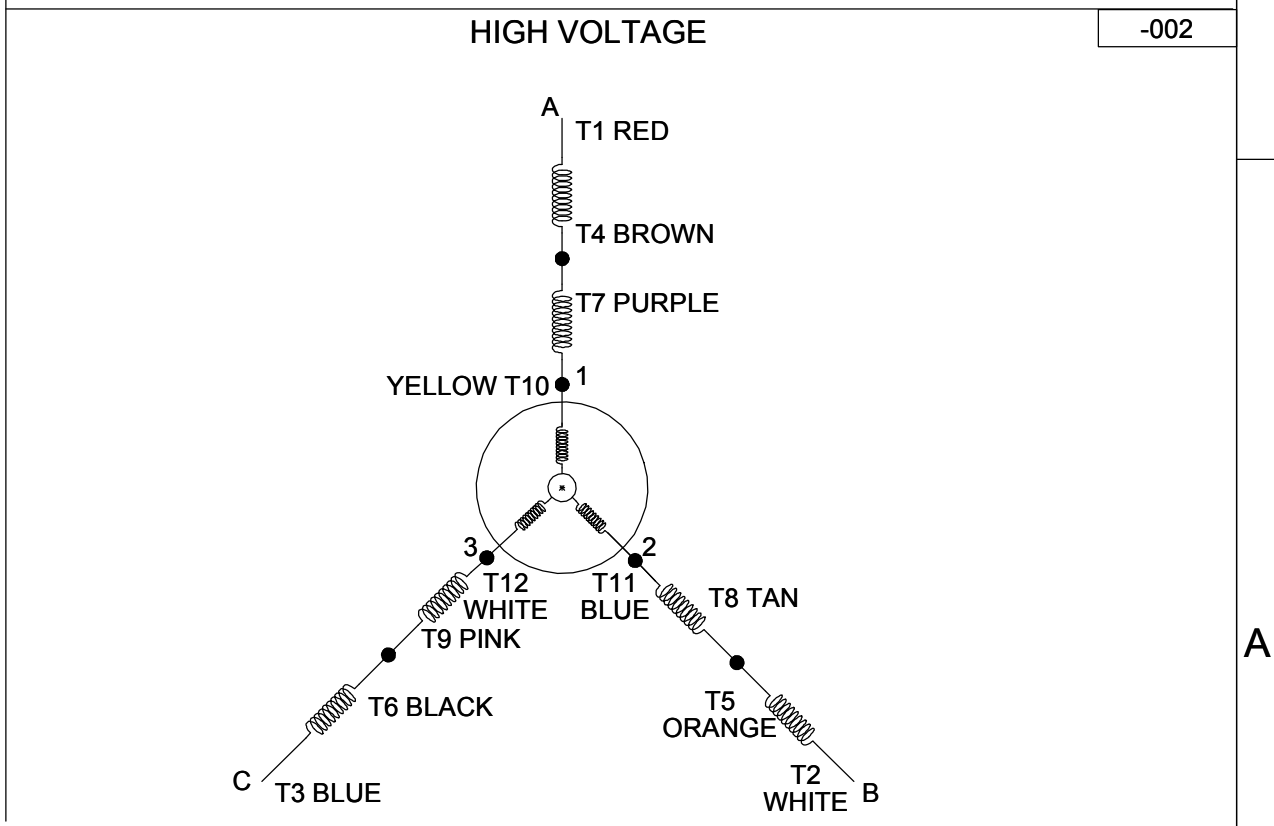
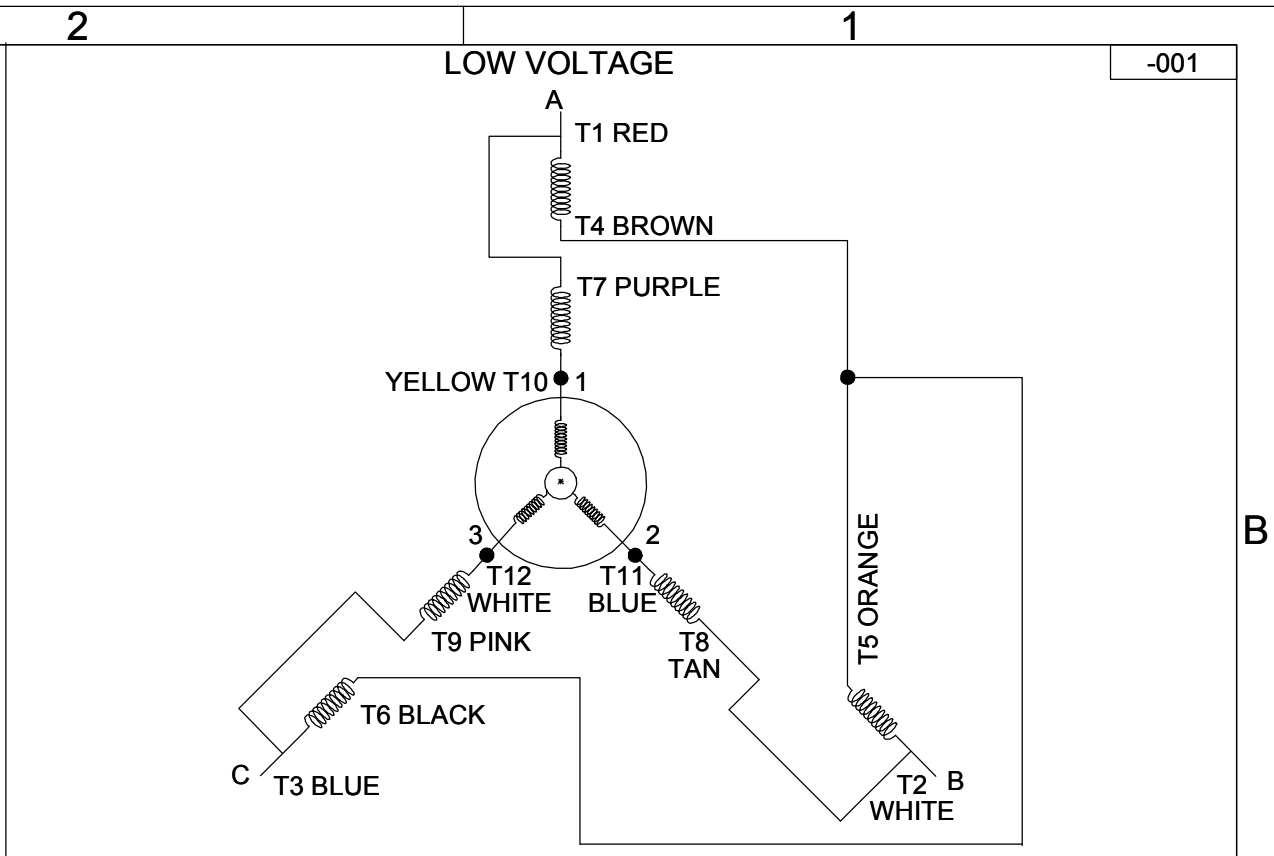
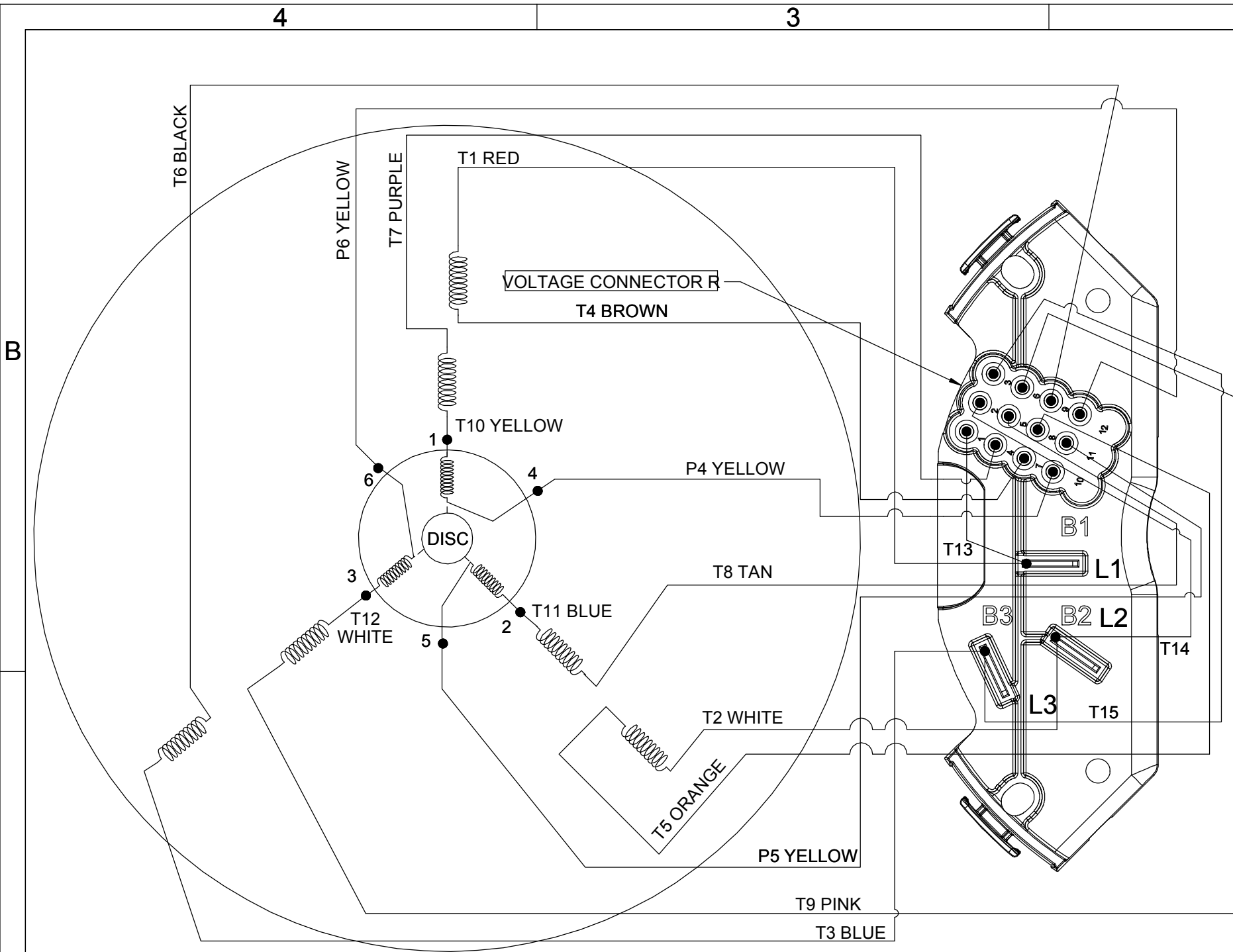
Output HP	0.50 Hp	Output KW	0.37 kW
Frequency	60 Hz	Voltage	208-230/460 V
Current	1.7-1.8/0.90 A	Speed	1725 rpm
Service Factor	1.25	Phase	3
Efficiency	78.2 %	Power Factor	64
Duty	Continuous	Insulation Class	B
Design Code	B	KVA Code	P
Frame	56	Enclosure	Drip Proof
Thermal Protection	Automatic	Ambient Temperature	40 °C
Drive End Bearing Size	6203	Opp Drive End Bearing Size	6203
UL	Recognized	CSA	Y
CE	Y	IP Code	22
Number of Speeds	1		

Technical Specifications

Electrical Type	Squirrel Cage Induction Run	Starting Method	Across The Line
Poles	4	Rotation	Reversible
Resistance Main	23.2 Ohms	Mounting	Rigid Base
Motor Orientation	Horizontal	Drive End Bearing	Ball
Opp Drive End Bearing	Ball	Frame Material	Rolled Steel
Shaft Type	NEMA 56	Overall Length	11.99 in
Shaft Diameter	0.625 in	Shaft Extension	1.88 in
Assembly/Box Mounting	F1 Only		
Outline Drawing	OL56100521-001	Connection Drawing	CDTD102



DRAWING REVISION A		REVISION BY	DATE	TOLERANCES UNLESS OTHERWISE SPECIFIED:		DRAWN BY SHESHI		Regal Beloit America, Inc.	
ECO-0151036		APPROVED BY	DATE	DEC.	INCH	mm	ANGLE		DATE 09/12/2018
ECO DESCRIPTION NEW MODEL RELEASE				.X	±0.1	[±2.5]	±0.5°	APPROVED BY SM	DESCRIPTION OUTLINE
<small>COPYRIGHT REGAL BELOIT AMERICA, INC. ALL RIGHTS RESERVED. PROPRIETARY AND CONFIDENTIAL INFORMATION. THIS DOCUMENT IS THE PROPERTY OF REGAL BELOIT AMERICA, INC. OWNERSHIP AND CONTENTS OWNERS PROPRIETARY INFORMATION. ANY PERSON, CORPORATION OR OTHER FIRM RECEIVING IT IS DEEMED BY RECEIVING IT, TO AGREE THAT IT, AND/OR ANY PART OF IT, SHALL NOT BE DISCLOSED TO ANY PERSON, CORPORATION OR OTHER ENTITY, DUPLICATED, AND/OR USED, EXCEPT AS EXPRESSLY APPROVED IN WRITING IN ADVANCE BY OWNER. THIS DOCUMENT SHALL BE RETURNED TO OWNER UPON REQUEST. IT MAY BE SUBJECT TO CERTAIN RESTRICTIONS UNDER APPLICABLE EXPORT CONTROL LAWS AND REGULATIONS.</small>				.XX	±0.02	[±0.51]		DATE 09/12/2018	MATERIAL 56FR, DP, 3-PHASE, RIGID
				.XXX	±0.005	[±0.127]		REFERENCE OL56100172	PROCESS/FINISH
				.XXXX	±0.0005	[±0.0127]		THIRD ANGLE PROJECTION	
				MACHINED SURFACES: 125		3.2		SIZE	DRAWING NUMBER OL56100521-001
				mm SHOWN IN [BRACKETS]		INCH/mly		C	SHEET 1 OF 1



- NOTES:**
1. TO REVERSE ROTATION, INTERCHANGE ANY TWO LINE CONNECTIONS TO L1, L2, OR L3.
 2. REF. TERMINAL BOARD 1000085-001-001.
 3. CONNECTION-DIAGRAM NAMEPLATE DD10027-001-CCWLE DD10207-001-CWLE

DRAWING REVISION B	REVISION BY SHESHI	DATE 01/30/2019
ECO ECO-0160987	APPROVED BY CD	DATE 01/30/2019
ECO DESCRIPTION ADDED CONN DIAGRAM NP CWLE		
<small>COPYRIGHT REGAL BELOIT AMERICA, INC. ALL RIGHTS RESERVED. PROPRIETARY AND CONFIDENTIAL INFORMATION - THIS DOCUMENT IS THE PROPERTY OF REGAL BELOIT AMERICA, INC. ("OWNER") AND CONTAINS OWNER'S PROPRIETARY INFORMATION. ANY PERSON, CORPORATION OR OTHER FIRM RECEIVING IT IS DEEMED, BY RECEIVING IT, TO AGREE THAT IT, AND/OR ANY PART OF IT, SHALL NOT BE DISCLOSED TO ANY PERSON, CORPORATION OR OTHER ENTITY, DUPLICATED, AND/OR USED, EXCEPT AS EXPRESSLY APPROVED IN WRITING IN ADVANCE BY OWNER. THIS DOCUMENT SHALL BE RETURNED TO OWNER UPON REQUEST. IT MAY BE SUBJECT TO CERTAIN RESTRICTIONS UNDER APPLICABLE EXPORT CONTROL LAWS AND REGULATIONS.</small>		

TOLERANCES UNLESS OTHERWISE SPECIFIED:

DEC.	INCH	mm	ANGLE
.X	±0.1	[±2.5]	±0.5°
.XX	±0.01	[±0.25]	
.XXX	±0.005	[±0.127]	
.XXXX	±0.0005	[±0.0127]	

REMOVE BURRS & BREAK SHARP EDGES: .003/.015 [.076/.381] X 45°
 CORNER FILLETS: R.02 [.51]
 MACHINED SURFACES: 125 INCH / 3.2 mm

mm SHOWN IN [BRACKETS]

DRAWN BY G. RODRIGUEZ	REGAL™ Regal Beloit America, Inc.	
DATE 07-12-2016	DESCRIPTION CONN DIAGRAM-EXTERNAL	
APPROVED BY R. VALENZUELA	MATERIAL	PROCESS/FINISH
DATE 07-12-2016	SIZE B	DRAWING NUMBER CDTD102
REFERENCE 52A110547	SHEET 1 OF 1	
THIRD ANGLE PROJECTION		

CERTIFICATION DATA SHEET

Model#: 56T17DRR70021A1 A
CONN. DIAGRAM: CDTD102
OUTLINE: OL56100172-001

WINDING#: NT56468 NONE 3
ASSEMBLY: F1 ONLY

TYPICAL MOTOR PERFORMANCE DATA

HP	KW	SYNC. RPM	F.L. RPM	FRAME	ENCLOSURE	KVA CODE	DESIGN
1/2&1/3	0.37&0.25	1800	1725&1425	56	DP	P	B

PH	Hz	VOLTS	FL AMPS	START TYPE	DUTY	INSL	S.F	AMB°C	ELEVATION
3	60/50	208- 230/460#190/ 380	1.7- 1.8/0.9&1.6/0. 8	ACROSS THE LINE	CONTINUOU S	B3	1.25/1.25	40	3300

FULL LOAD EFF: 78.2&82.5	3/4 LOAD EFF: 83.3	1/2 LOAD EFF: 78.5	GTD. EFF	ELEC. TYPE	NO LOAD AMPS
FULL LOAD PF: 64&57.3	3/4 LOAD PF: 53.8	1/2 LOAD PF: 42	72	SQ CAGE IND RUN	1.3 / .7

F.L. TORQUE	LOCKED ROTOR AMPS	L.R. TORQUE	B.D. TORQUE	F.L. RISE°C
1.51 LB-FT	16.1 / 8.1	6.43 LB-FT 423.86	8.89 LB-FT 585.96	35

SOUND PRESSURE @ 3 FT.	SOUND POWER	ROTOR WK^2	MAX. WK^2	SAFE STALL TIME	STARTS /HOUR	APPROX. MOTOR WGT
62 dBA	72 dBA	0.07 LB-FT^2	5 LB-FT^2	12 SEC.	2	25 LBS.

***** SUPPLEMENTAL INFORMATION *****

DE BRACKET TYPE	ODE BRACKET TYPE	MOUNT TYPE	ORIENTATION	SEVERE DUTY	HAZARDOUS LOCATION	DRIP COVER	SCREENS	PAINT
STANDARD	STANDARD	RIGID	HORIZONTAL	FALSE	NONE	FALSE	NONE	GRAY (POWDER)

BEARINGS		GREASE	SHAFT TYPE	SPECIAL DE	SPECIAL ODE	SHAFT MATERIAL	FRAME MATERIAL
DE	OPE						
BALL	BALL	POLYREX EM	STANDARD 56	NONE	NONE	AISI 1215 (MS1000)	ROLLED STEEL
6205	6203						

THERMO-PROTECTORS				THERMISTORS	CONTROL	SPACE /n HEATERS
THERMOSTATS	PROTECTORS	WDG RTDs	BRG RTDs			
NONE	AUTOMATIC	NONE	NONE	NONE	FALSE	NONE VOLTS

If Inverter equals NONE, contact factory for further information

*
N
O
T
E
S
*

INVERTER TORQUE: NONE
INV. HP SPEED RANGE: NONE
ENCODER: NONE
NONE NONE
NONE NONE PPR
BRAKE: NONE NONE
NONE P/N NONE
NONE NONE
NONE FT-LB NONE V NONE Hz

DATE: 06/28/2017 06:56:32 AM
 FORM 3531 REV.3 02/07/99

** Subject to change without notice.

MARATHON ELECTRIC CORPORATION

TYPICAL PERFORMANCE CURVE for AC MOTOR

Customer WW Grainger

Curve at 460

Volts

HP 0.5&0.33

PHASE 3

Model No 56T17DRR70021A1

60
HZ

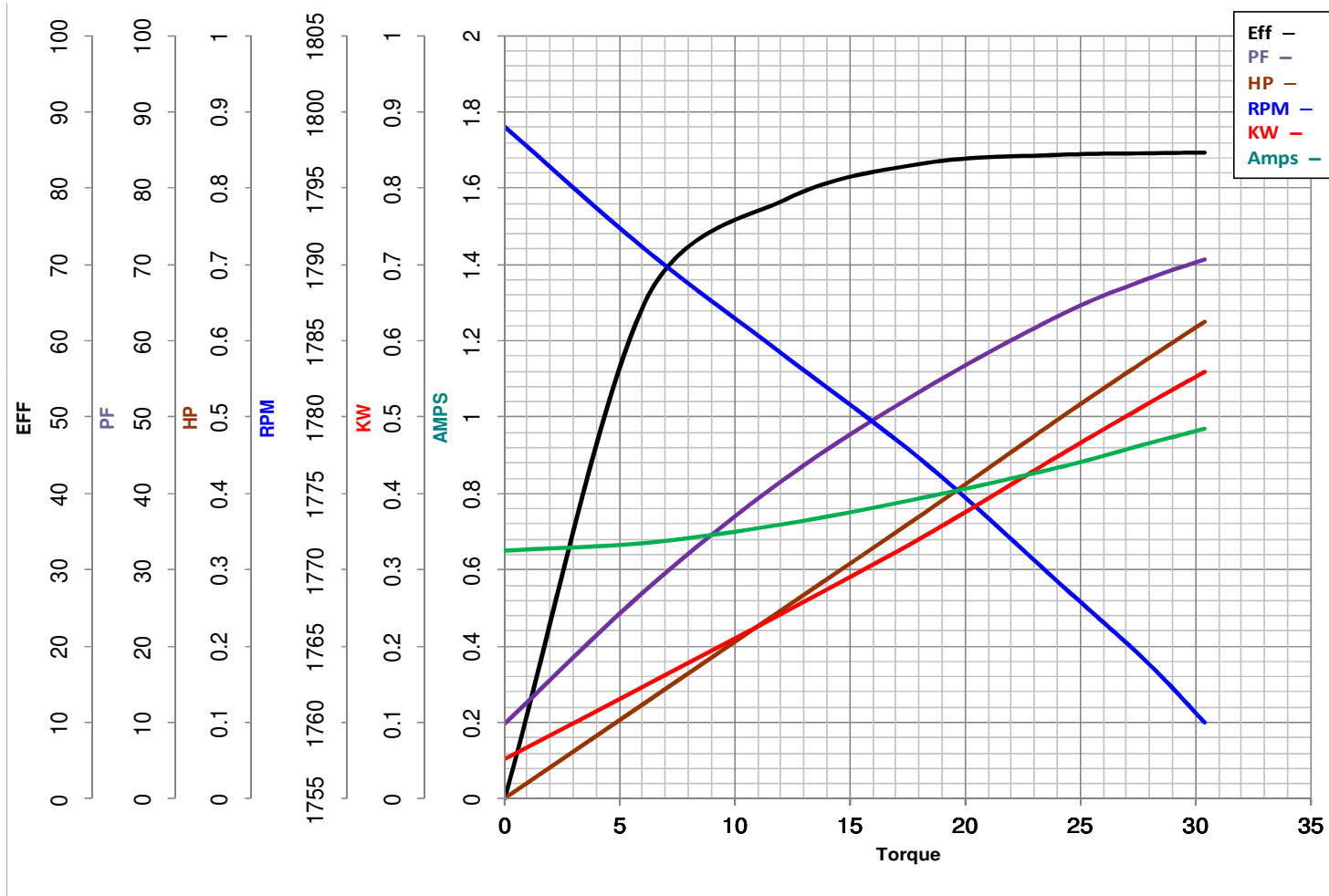
HP

VOLTS 208-230/460&190/380

Catalog No G905A

HZ 60&50

RPM 1725&1425



Torque in Oz.Ft

FL TORQUE 24.16 Oz.Ft
 BD TORQUE 142.2 Oz.Ft
 LR TORQUE 102.9 Oz.Ft

FL AMPS 1.7-1.8/0.9
 PU TORQUE 100.5 Oz.Ft
 LR AMPS 8.07

WINDING NT56468-3

Prepared By BHARGAVI

Date 8/21/2018

EC Declaration of Conformity

The undersigned representing
the manufacturer:

Regal Beloit America
100 East Randolph St.
Wausau, WI 54401

and the authorized representative
established within the Community:

Marathon Electric UK
6F Thistleton Road Ind. Estate
Market Overton
Oakham, Rutland LE15 7PP UK

are committed to providing customers with products that comply with applicable regulations and international protocols to which they are subject, including the requirements of the European Parliament Directive on the Harmonization of the laws relating to electrical equipment designed for use within certain voltage limits (2014/35/EU).

Regal Beloit America declares that the following product(s), to which this declaration relates, are in conformity with the relevant sections of the EC standards listed below.

This statement supersedes any statements previously issued pertaining to the product(s) listed below and is subject to change without notice.

Model No : 056T17DRR70021A1

(Model No. may contain prefix and/or suffix characters)

Catalog No : G905A

Rework No : N/A

Directives :

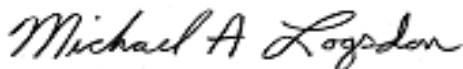
Low Voltage Directive 2014/35/EU

Harmonized Standards Used :

EN 60034-1: 2010 (IEC 60034-1: 2010)

EN 60034-5: 2001/A1:2007 (IEC 60034-5: 2000/A1:2006)

Authorized Representative:



Michael A. Logsdon
Vice President, Technology

Authorized Representative in the Community:



Julian Clark
Marketing Engineer

Created on 09/01/2022

CE 22