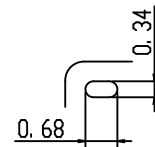
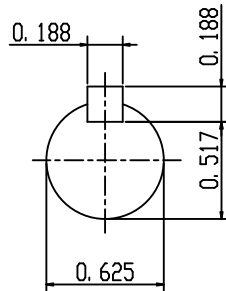
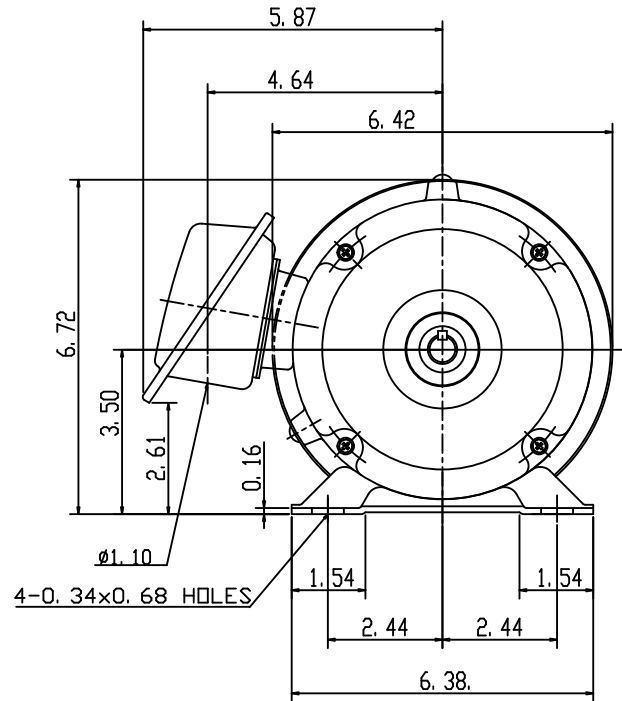
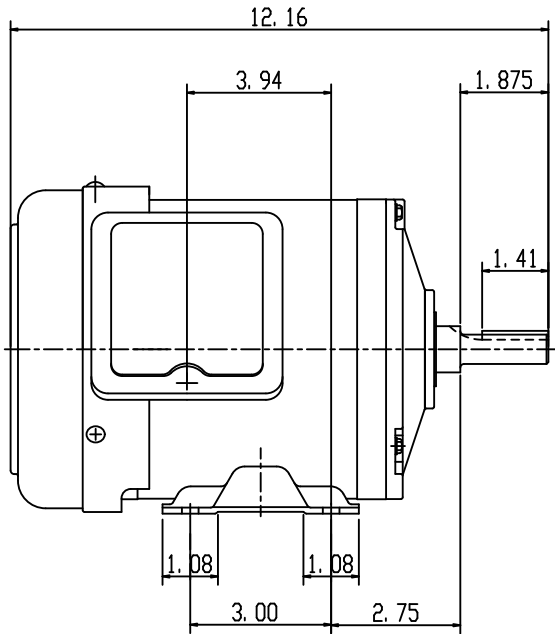


DATE DEC 4, 2014	OUTLINE DIMENSIONS 3-PHASE INDUCTION MOTOR	MODEL TYPE: AEGH
CATALOG NO. GH0/26		FRAME NO. A56

Pole	HP	KW	Hz	VOLT	Syn. Speed R. P. M
6	1/4	.19	60	230/460	1200

Ins.	Rating	Dimensions in	Approx Weight	Bearings	
F	CONT.	inch	26 lbs	DE: 6204ZZ	NDE: 6203ZZ

Totally Enclosed Fan Cooled  
Squirrel-Cage



SCALE 4: 1

APPD.	W. H. TSAI	07 21 03		DWG NO.	31049Z105
CHKD.	J. B. CHEN	07 20 03		2204	
DWN.	Y. Y. CHEN	07 20 03			



TEFC, NEMA, DESIGN - B  
CLASS F, 40°C AMBIENT, CONTINUOUS DUTY,  
S.F. 1.15 230/460V 60HZ

### TYPICAL PERFORMANCE

( 230 V )

HP	FULL LOAD RPM	FRAME SIZE	EFFICIENCY(%)			POWER FACTOR(%)			CURRENT			TORQUE				ROTOR WK <sup>2</sup> lb-ft <sup>2</sup>	NEMA CODE LETTER	USED AT			
			FULL LOAD		3/4 LOAD	1/2 LOAD	FULL LOAD	3/4 LOAD	1/2 LOAD	FULL LOAD	208V USABLE	LOCKED ROTOR	FULL LOAD	LOCKED ROTOR	PULL UP			BREAK DOWN	50Hz	190V	
			NOM.	MIN.						(A)	ON-A	(A)	lb-ft	%FLT	%FLT			%FLT	HP	RPM	ON-A
0.25	3470	56	72.0	68.0	72.0	69.0	82.0	72.0	60.0	0.79	0.88	6.0	0.378	240	230	315	0.017	L	0.25	2795	1.10
	1735	56	72.0	68.0	70.0	63.5	73.0	63.5	51.0	0.89	0.98	6.0	0.757	240	220	340	0.028	L		1410	1.10
	1145	56	70.0	66.0	66.5	59.0	61.0	52.0	40.0	1.10	1.21	6.0	1.146	270	260	355	0.042	L		925	1.21
0.33	3460	56	71.5	67.5	69.5	64.0	80.5	73.5	62.0	1.08	1.20	7.0	0.506	245	240	315	0.017	K	0.33	2790	1.28
	1735	56	75.5	72.0	74.0	69.0	74.5	64.5	51.0	1.11	1.23	7.0	1.009	235	225	330	0.033	K		1405	1.33
	1145	56	72.0	68.0	68.5	62.0	61.0	52.0	40.0	1.42	1.57	7.0	1.529	265	255	345	0.047	K		920	1.54
0.50	3445	56	73.4	69.7	71.5	67.0	81.5	74.0	62.0	1.57	1.73	10.0	0.762	215	210	290	0.017	J	0.50	2780	1.86
	1725	56	78.2	75.0	77.0	73.5	81.0	73.0	60.0	1.48	1.63	10.0	1.522	270	240	305	0.044	J		1380	1.93
	1145	56	75.5	72.0	73.5	68.0	63.0	53.0	40.5	1.97	2.18	12.0	2.293	305	295	380	0.075	L		925	2.31
0.75	3425	56	76.8	73.4	75.0	70.5	80.0	72.0	60.0	2.29	2.53	16.0	1.150	330	290	355	0.020	K	0.75	2758	2.68
	1730	56	81.1	78.2	80.0	76.0	77.5	69.0	55.5	2.23	2.47	18.0	2.276	380	350	390	0.042	L		1410	2.77
	1150	56	81.7	79.0	81.5	77.0	67.5	59.0	51.0	2.55	2.82	16.0	3.424	230	205	285	0.105	K		925	2.95
1.0	3420	56	77.0	74.0	76.5	71.5	79.5	71.0	57.5	3.06	3.38	22.0	1.535	295	290	380	0.022	K	1.0	2725	3.60
	1750	56	85.5	82.5	85.0	82.0	75.5	67.0	54.0	2.90	3.21	30.0	3.000	365	310	410	0.100	N		1435	3.33
	1150	56	82.5	80.0	82.0	79.0	66.0	57.0	44.0	3.44	3.80	30.0	4.566	260	240	320	0.122	N		930	3.98
1.5	3510	56	85.5	82.5	85.5	83.0	83.0	76.5	64.0	3.96	4.38	40.0	2.244	400	310	450	0.059	M	1.5	2875	4.60
	1740	56	86.5	84.0	86.0	84.0	80.5	73.5	61.0	0.00	0.00	40.0	4.526	295	220	335	0.115	M		1410	4.85
2.0	3505	56	86.5	84.0	86.0	84.0	85.0	79.0	67.0	5.09	5.63	50.0	2.996	340	280	430	0.068	L	2.0	2870	6.06
	1740	56	86.5	84.0	86.0	84.0	79.0	71.0	58.0	5.48	6.06	50.0	6.035	390	310	390	0.143	L		1420	6.50
3.0	3480	56	86.5	84.0	87.5	87.0	89.0	85.0	75.5	7.30	8.07	64.0	4.526	330	245	370	0.088	L	3.0	2810	9.06

- NOTE :
1. Breakdown & locked rotor torques are shown as average expected values.
  2. Efficiency, power factor, speed and torque are the same for other voltages.  
Current values vary inversely with voltage.
  3. Tolerance According to NEMA MG1-12 & IEC 60034-1.
  4. Data subject to change without notice.

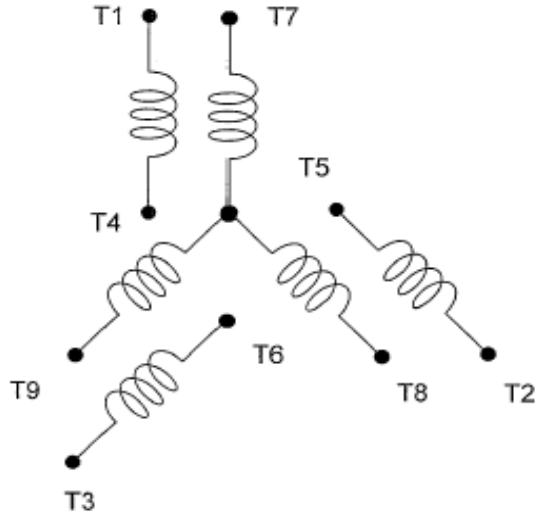


APPD.	Tsunghao	5-Jun-14	<b>TECO Electric &amp; Machinery Co., Ltd.</b>	DWG NO.	<b>31057H34230</b>
CHKD.	H.C.Yen	29-Apr-14			
DWN.	AMO	24-Apr-14			

DATE:  
April 28, 2009

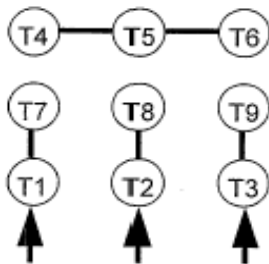
# CONNECTION DIAGRAM

GH0/26

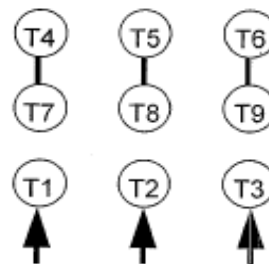


**SCHEMATIC - 2Y/Y CONNECTION**

## ACROSS THE LINE CONNECTION



**LINE  
230 VOLT CONNECTION**



**LINE  
460 VOLT CONNECTION**