

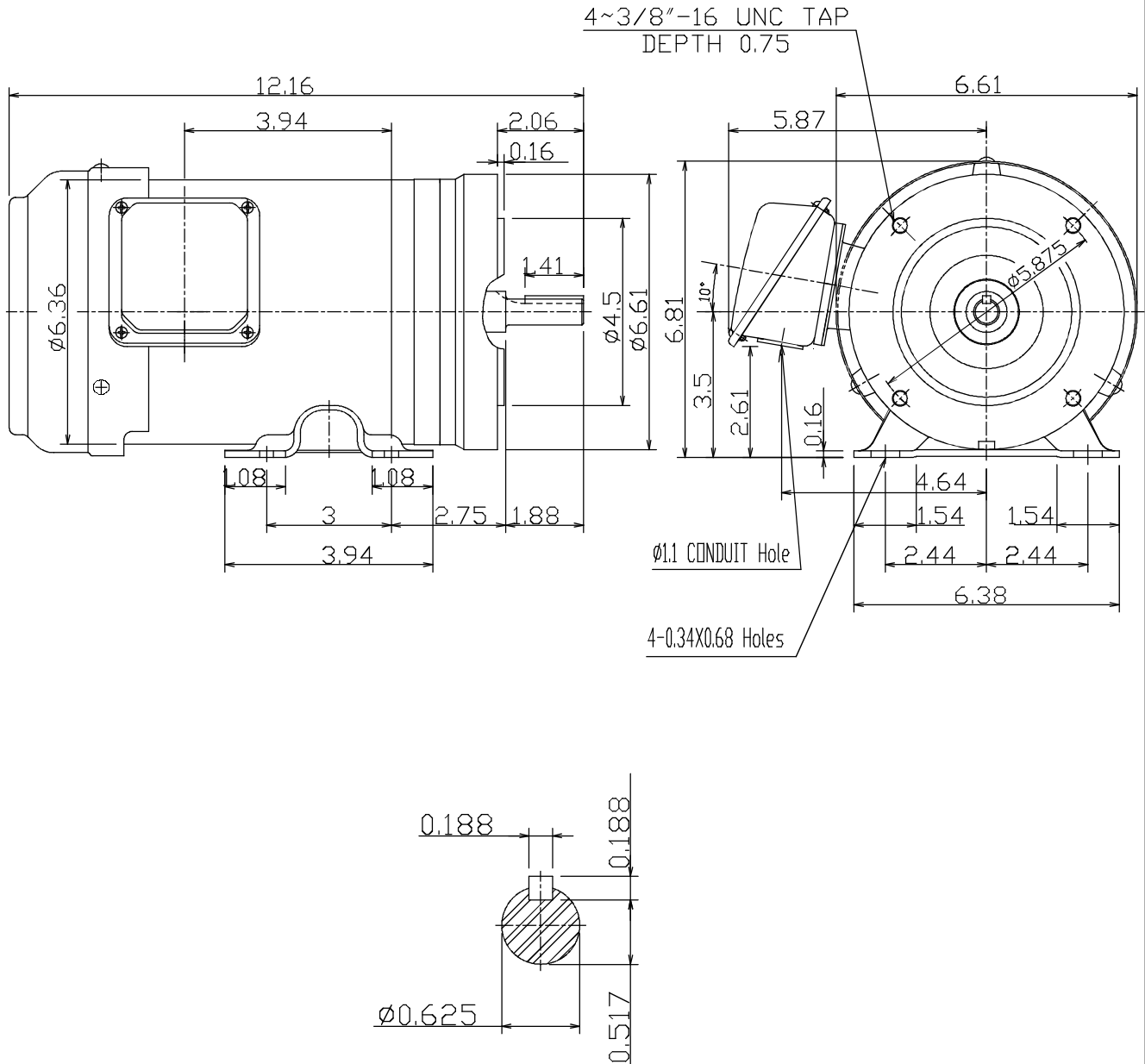
DATE
JANUARY, 12, 2015
CATALOG # GH0/74C

OUTLINE DIMENSIONS
3-PHASE INDUCTION MOTOR

MOTOR TYPE:
AEGHCF
FRAME NO. 56C

Pole	HP	kW	Hz	VOLT	r/min
4	0.75	0.6	60	230/460	1800

Ins	Rating	Dimension in	Approx Weight	Bearings
F	CONT.	inch.	30	DE: 6205ZZ NDE: 6204ZZ



① C. RAM UPDATED PER VOL. 5 PRODUCT NOTE 01 12 15

DWN. 陳奕元 03 *01 *11
CHKD. 陳敬元 03 *01 *11
APPD. 蔡明° X 03 *01 *11



DWG NO. REF:
31057H34224

TECO Westinghouse

ISSUED 8/29/2014	PERFORMANCE DATA	ENCLOSURE TEFC
TYPE AEGHCF	3-PHASE INDUCTION MOTOR	CATALOG# GH0/74C

NAMEPLATE INFORMATION

OUTPUT		POLE	FRAME SIZE	VOLTAGE	HZ	RATED AMBIENT	INS. CLASS	NEMA DESIGN	TIME RATING	SERVICE FACTOR
HP	KW									
0.75	0.6	4	56C	230/460	60	40°C	F	B	CONT.	1.15

TYPICAL PERFORMANCE

FULL LOAD RPM	EFFICIENCY				POWER FACTOR			MAXIMUM POWER FACTOR CORRECTION
	FULL LOAD		3/4 LOAD %	1/2 LOAD %	F. L. %	3/4 LOAD %	1/2 LOAD %	
	MIN. %	NOM. %						
1730	75.5	78.5	78	74	75.5	65.5	51.5	0.9 KVAR

CURRENTS

NO LOAD			FULL LOAD			LOCKED ROTOR			NEMA KVA CODE LETTER
AT	AT	AT	AT	AT	AT	AT	AT	AT	
208 VOLT	230 VOLT	460 VOLT	208 VOLT	230 VOLT	460 VOLT	208 VOLT	230 VOLT	460 VOLT	
1.27	1.55	0.77	2.62	2.37	1.18	16.3	18.0	9.0	L

TORQUE

INERTIA

ACCEL TIME

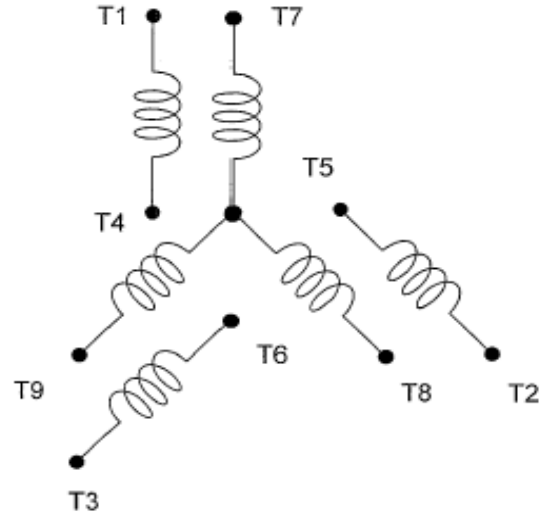
FULL LOAD lb-ft	LOCKED ROTOR %FLT	PULL UP %FLT	BREAK DOWN %FLT	ROTOR WR ² lb-ft ²	NEMA LOAD WK ² lb-ft ²	MAX ALLOWABLE WK ² lb-ft ²	NEMA LOAD WK ² Sec	MAX ALLOWABLE WK ² Sec
2.276	270	260	350	0.042	4.4	23.2	3.89	20.36

SAFE STALL TIME IN SECONDS		ALLOWABLE STARTS PER HOUR		SOUND PRESSURE LEVEL @ 3 FT dB(A)
COLD	HOT	COLD	HOT	
45	30	2	1	

APPROVED:	M. PRATER	DRAWING NO.	31057GH0/74C	REVISION 0
-----------	------------------	-------------	---------------------	-------------------

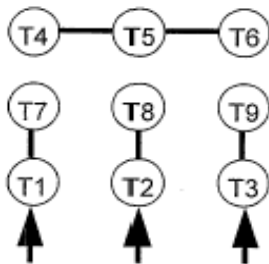
DATE:
April 28, 2009

CONNECTION DIAGRAM

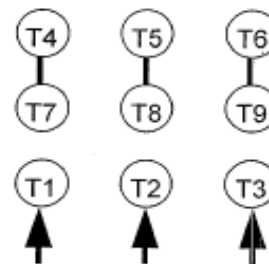


SCHEMATIC - 2Y/Y CONNECTION

ACROSS THE LINE CONNECTION



**LINE
230 VOLT CONNECTION**



**LINE
460 VOLT CONNECTION**