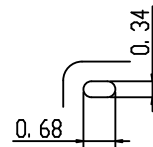
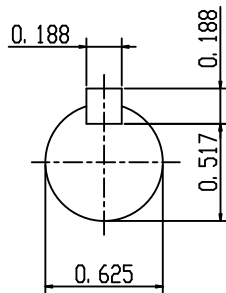
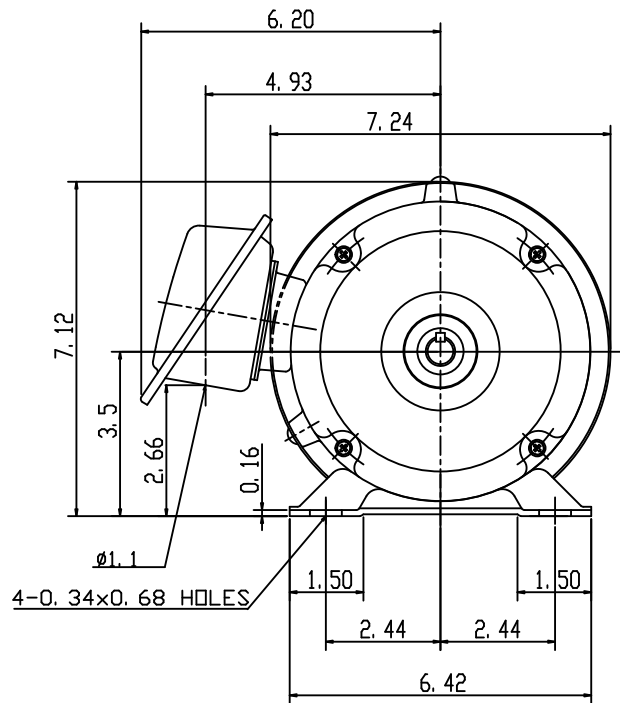
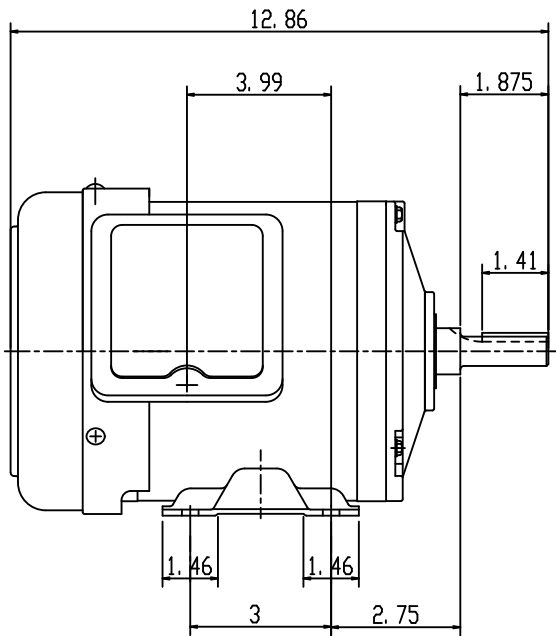


|                       |   |                     |
|-----------------------|---|---------------------|
| DATE<br>FEB. 22, 2012 | OUTLINE DIMENSIONS<br>3-PHASE INDUCTION MOTOR | MODEL TYPE:<br>AEGH |
| CATALOG NO.<br>GH0/76 |   | FRAME NO. 56        |

|      |     |     |    |         |                       |
|------|-----|-----|----|---------|-----------------------|
| Pole | HP  | KW  | Hz | VOLT    | Syn. Speed<br>R. P. M |
| 6    | .75 | .56 | 60 | 230/460 | 1200                  |

|      |        |               |               |                        |
|------|--------|---------------|---------------|------------------------|
| Ins. | Rating | Dimensions in | Approx Weight | Bearings               |
| F    | CONT.  | inch          | 30 lbs        | DE: 6205ZZ NDE: 6204ZZ |

Totally Enclosed Fan Cooled  
Squirrel-Cage



SCALE 4: 1

|       |            |          |  |         |           |
|-------|------------|----------|--|---------|-----------|
| APPD. | W. H. TSAI | 07 21 03 |  | DWG NO. | 31049Z105 |
| CHKD. | J. B. CHEN | 07 20 03 |  | 2204    |           |
| DWN.  | Y. Y. CHEN | 07 20 03 |  |         |           |

# TECO Westinghouse

|                                    |                                |                           |
|------------------------------------|--------------------------------|---------------------------|
| ISSUED<br><b>November 25, 2014</b> | <b>PERFORMANCE DATA</b>        | ENCLOSURE<br><b>TEFC</b>  |
| TYPE<br><b>AEGH</b>                | <b>3-PHASE INDUCTION MOTOR</b> | CATALOG#<br><b>GH0/76</b> |

### NAMEPLATE INFORMATION

| OUTPUT     |             | POLE     | FRAME SIZE | VOLTAGE        | HZ        | RATED AMBIENT | INS. CLASS | NEMA DESIGN | TIME RATING  | SERVICE FACTOR |
|------------|-------------|----------|------------|----------------|-----------|---------------|------------|-------------|--------------|----------------|
| HP         | KW          |          |            |                |           |               |            |             |              |                |
| <b>3/4</b> | <b>0.56</b> | <b>6</b> | <b>56</b>  | <b>230/460</b> | <b>60</b> | <b>40°C</b>   | <b>F</b>   | <b>B</b>    | <b>CONT.</b> | <b>1.15</b>    |

### TYPICAL PERFORMANCE

| FULL LOAD RPM | EFFICIENCY  |             |             |             | POWER FACTOR |           |           | MAXIMUM POWER FACTOR CORRECTION |
|---------------|-------------|-------------|-------------|-------------|--------------|-----------|-----------|---------------------------------|
|               | FULL LOAD   |             | 3/4 LOAD    | 1/2 LOAD    | F. L.        | 3/4 LOAD  | 1/2 LOAD  |                                 |
|               | MIN. %      | NOM. %      |             |             |              |           |           |                                 |
| <b>1145</b>   | <b>75.5</b> | <b>78.5</b> | <b>77.5</b> | <b>73.5</b> | <b>72</b>    | <b>64</b> | <b>51</b> | <b>0.8 KVAR</b>                 |

### CURRENTS

| NO LOAD     |             |             | FULL LOAD   |             |             | LOCKED ROTOR |              |             | NEMA KVA CODE LETTER |
|-------------|-------------|-------------|-------------|-------------|-------------|--------------|--------------|-------------|----------------------|
| AT          | AT          | AT          | AT          | AT          | AT          | AT           | AT           | AT          |                      |
| 208 VOLT    | 230 VOLT    | 460 VOLT    | 208 VOLT    | 230 VOLT    | 460 VOLT    | 208 VOLT     | 230 VOLT     | 460 VOLT    |                      |
| <b>2.26</b> | <b>2.04</b> | <b>1.02</b> | <b>2.75</b> | <b>2.48</b> | <b>1.24</b> | <b>17.69</b> | <b>16.00</b> | <b>8.00</b> | <b>K</b>             |

### TORQUE

### INERTIA

### ACCEL TIME

| FULL LOAD lb-ft | LOCKED ROTOR %FLT | PULL UP %FLT | BREAK DOWN %FLT | ROTOR WR <sup>2</sup> lb-ft <sup>2</sup> | NEMA LOAD WK <sup>2</sup> lb-ft <sup>2</sup> | MAX ALLOWABLE WK <sup>2</sup> lb-ft <sup>2</sup> | NEMA LOAD WK <sup>2</sup> Sec | MAX ALLOWABLE WK <sup>2</sup> Sec |
|-----------------|-------------------|--------------|-----------------|--|--|--|-------------------------------|-----------------------------------|
| <b>3.4</b>      | <b>190</b>        | <b>180</b>   | <b>285</b>      | <b>0.095</b>                             | <b>11.8</b>                                  | <b>64.9</b>                                      | <b>5.82</b>                   | <b>31.94</b>                      |

SAFE STALL TIME IN SECONDS

ALLOWABLE STARTS PER HOUR

SOUND PRESSURE LEVEL @ 3 FT dB(A)

| COLD      | HOT       | COLD     | HOT      | 54.2 |
|-----------|-----------|----------|----------|------|
| <b>61</b> | <b>42</b> | <b>2</b> | <b>1</b> |      |

|           |                  |             |                    |                   |
|-----------|------------------|-------------|--------------------|-------------------|
| APPROVED: | <b>M. PRATER</b> | DRAWING NO. | <b>31057GH0/76</b> | REVISION <b>0</b> |
|-----------|------------------|-------------|--------------------|-------------------|

DATE:  
June 27, 2005

# CONNECTION DIAGRAM

CATALOG NO.:  
GHO/74



**SCHEMATIC - 2Y/Y CONNECTION**

## ACROSS THE LINE CONNECTION



**LINE  
230 VOLT CONNECTION**



**LINE  
460 VOLT CONNECTION**