



OUTLINE DIMENSIONS

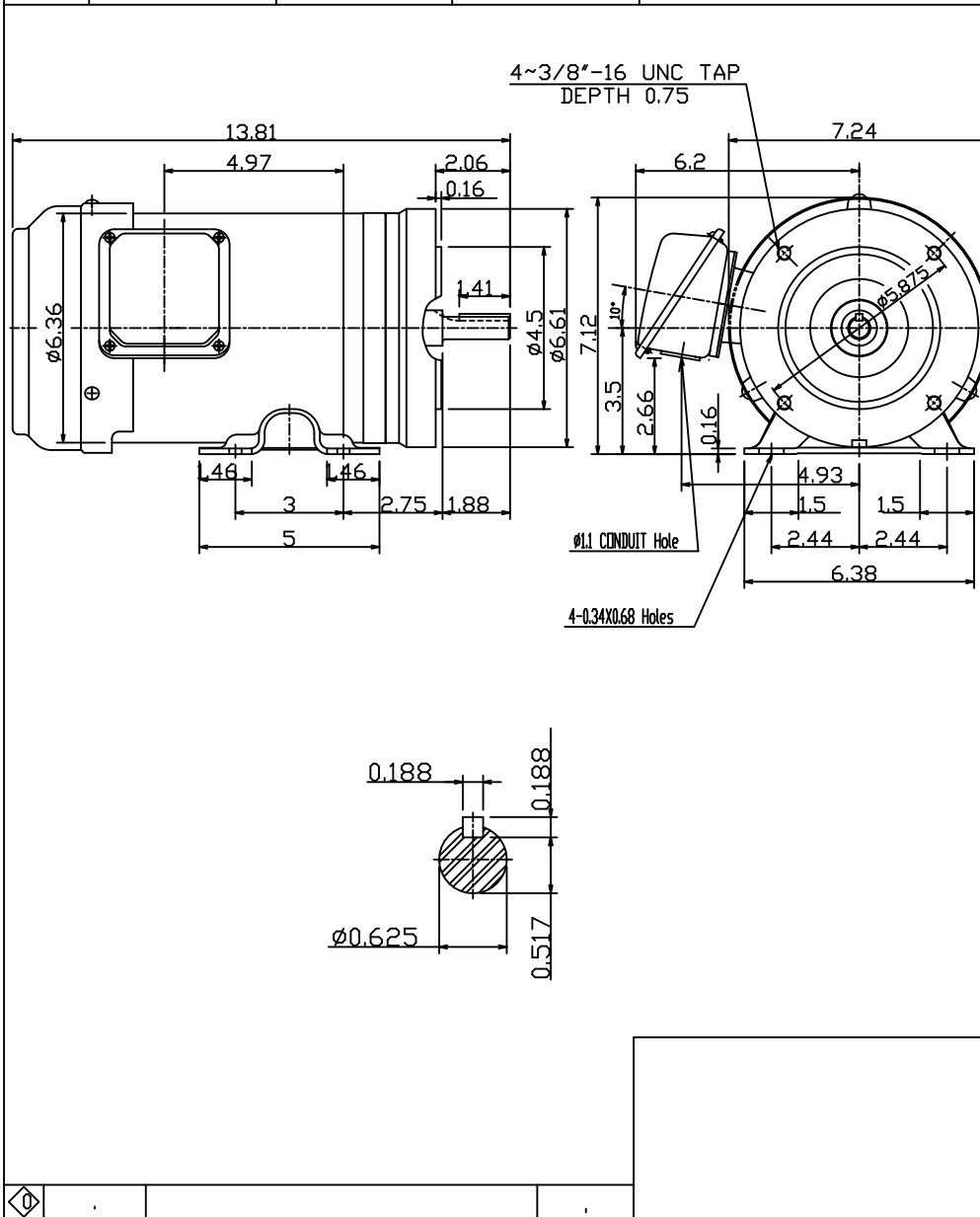
MOTOR TYPE:
AEGHCF

DATE

3-PHASE INDUCTION MOTOR

FRAME NO. 56C

Pole	HP	kW	Hz	VOLT	r/min
6	1	.746	60	230/460	1200
Ins	Rating	Dimension in	Approx Weight	Bearings	
F	CONT.	inch.	45 LBS	DE: 6205ZZ NDE: 6204ZZ	



DWN.	陳奕元	03-01-11	TECO Westinghouse	DWG NO.	31049Z107990
CHKD.	陳敬元	03-01-11			
APPD.	蔡明	03-01-11			

TECO Westinghouse

ISSUED December 27, 2013	PERFORMANCE DATA	ENCLOSURE TEFC
TYPE AEGHCF	3-PHASE INDUCTION MOTOR	CATALOG# GH0016C

NAMEPLATE INFORMATION

OUTPUT		POLE	FRAME SIZE	VOLTAGE	HZ	RATED AMBIENT	INS. CLASS	NEMA DESIGN	TIME RATING	SERVICE FACTOR
HP	KW									
1	0.75	6	56C	230/460	60	40°C	F	B	CONT.	1.15

TYPICAL PERFORMANCE

FULL LOAD RPM	EFFICIENCY				POWER FACTOR			MAXIMUM POWER FACTOR CORRECTION
	FULL LOAD		3/4 LOAD %	1/2 LOAD %	F. L. %	3/4 LOAD %	1/2 LOAD %	
	MIN. %	NOM. %						
1150	80	82.5	82	79	66	57	44	0.9 KVAR

CURRENTS

NO LOAD			FULL LOAD			LOCKED ROTOR			NEMA KVA CODE LETTER
AT	AT	AT	AT	AT	AT	AT	AT	AT	
208 VOLT	230 VOLT	460 VOLT	208 VOLT	230 VOLT	460 VOLT	208 VOLT	230 VOLT	460 VOLT	
1.82	2.22	1.11	3.80	3.44	1.72	27.13	30.00	15.00	N

TORQUE

INERTIA

ACCEL TIME

FULL LOAD lb-ft	LOCKED ROTOR %FLT	PULL UP %FLT	BREAK DOWN %FLT	ROTOR WR ² lb-ft ²	NEMA LOAD WK ² lb-ft ²	MAX ALLOWABLE WK ² lb-ft ²	NEMA LOAD WK ² Sec	MAX ALLOWABLE WK ² Sec
4.566	260	240	320	0.122	15.0	75.0	4.70	23.33

SAFE STALL TIME IN SECONDS

ALLOWABLE STARTS PER HOUR

SOUND PRESSURE LEVEL @ 3 FT dB(A)

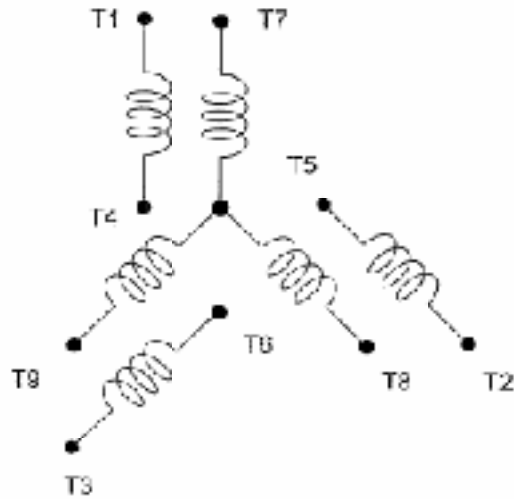
COLD	HOT	COLD	HOT	56.9
56	40	2	1	

APPROVED:	M. PRATER	DRAWING NO.	31057GH0016C	REVISION 0
-----------	------------------	-------------	---------------------	-------------------

DATE:
May 28, 2013

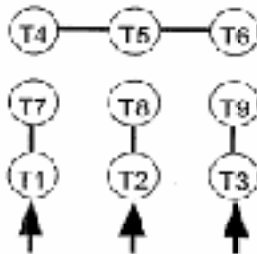
CONNECTION DIAGRAM

CATALOG NO.:
GH0016C

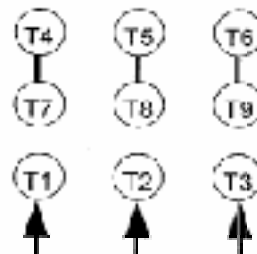


SCHEMATIC - 2Y/Y CONNECTION

ACROSS THE LINE CONNECTION



LINE
230 VOLT CONNECTION



LINE
460 VOLT CONNECTION



DWG NO.
DAC-1566-2