

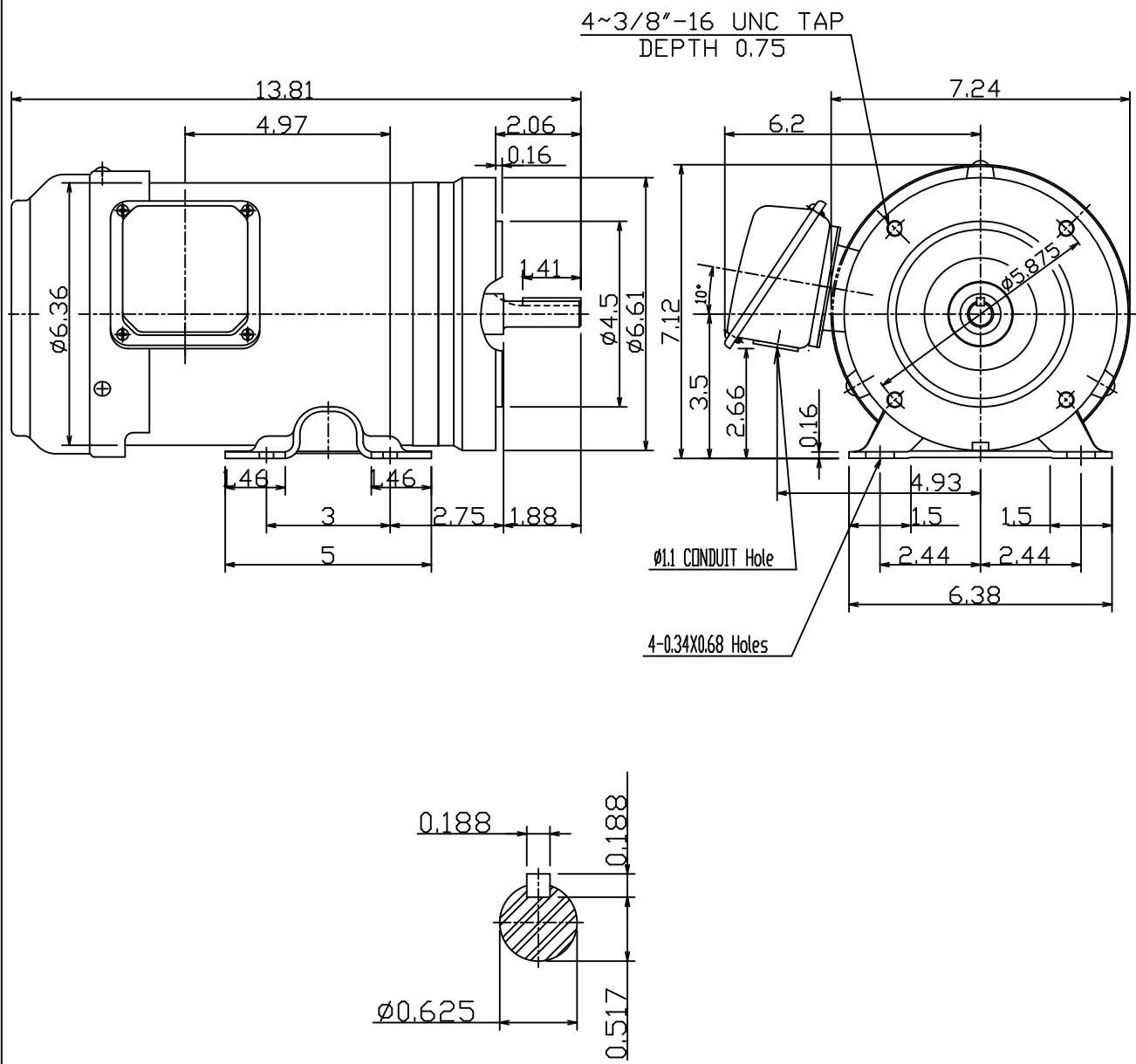
DATE: April 16, 2012
 CATALOG # GH1/54C

OUTLINE DIMENSIONS
 3-PHASE INDUCTION MOTOR

MOTOR TYPE: AEGHCF
 FRAME NO. 56C

| | | | | | |
|------|-----|------|----|---------|---------|
| Pole | HP | kW | Hz | VOLT | rpm/min |
| 4 | 1.5 | 1.11 | 60 | 230/460 | 1800 |

| | | | | |
|-----|--------|--------------|---------------|------------------------|
| Ins | Rating | Dimension in | Approx Weight | Bearings |
| F | CONT. | inch. | 27 | DE: 6205ZZ NDE: 6204ZZ |



| | | |
|-------|-------------------|----------|
| DWN. | 陳奕元 | 03-01-11 |
| CHKD. | 陳敬元 | 03-01-11 |
| APPD. | 蔡明 ^o X | 03-01-11 |



DWG NO. 31049Z107990

TECO Westinghouse

| | | |
|------------------------------------|--------------------------------|----------------------------|
| ISSUED December 27, 2013 | PERFORMANCE DATA | ENCLOSURE TEFC |
| TYPE AEGHCF | 3-PHASE INDUCTION MOTOR | CATALOG# GH1/54C |

NAMEPLATE INFORMATION

| OUTPUT | | POLE | FRAME SIZE | VOLTAGE | HZ | RATED AMBIENT | INS. CLASS | NEMA DESIGN | TIME RATING | SERVICE FACTOR |
|------------|------------|----------|------------|----------------|-----------|---------------|------------|-------------|--------------|----------------|
| HP | KW | | | | | | | | | |
| 1.5 | 1.1 | 4 | 56 | 230/460 | 60 | 40°C | F | B | CONT. | 1.15 |

TYPICAL PERFORMANCE

| FULL LOAD RPM | EFFICIENCY | | | | POWER FACTOR | | | MAXIMUM POWER FACTOR CORRECTION |
|---------------|-------------|-----------|------------|------------|--------------|-------------|------------|---------------------------------|
| | FULL LOAD | | 3/4 LOAD % | 1/2 LOAD % | F. L. % | 3/4 LOAD % | 1/2 LOAD % | |
| | MIN. % | NOM. % | | | | | | |
| 1740 | 86.5 | 84 | 86 | 84 | 80.5 | 73.5 | 61 | 0.8 KVAR |

CURRENTS

| NO LOAD | | | FULL LOAD | | | LOCKED ROTOR | | | NEMA KVA CODE LETTER |
|-------------|-------------|-------------|-------------|-------------|-------------|--------------|-------------|-------------|----------------------|
| AT | AT | AT | AT | AT | AT | AT | AT | AT | |
| 208 VOLT | 230 VOLT | 460 VOLT | 208 VOLT | 230 VOLT | 460 VOLT | 208 VOLT | 230 VOLT | 460 VOLT | |
| 1.72 | 2.10 | 1.05 | 4.59 | 4.15 | 2.08 | 36.2 | 40.0 | 20.0 | M |

TORQUE

INERTIA

ACCEL TIME

| FULL LOAD lb-ft | LOCKED ROTOR %FLT | PULL UP %FLT | BREAK DOWN %FLT | ROTOR WR ² lb-ft ² | NEMA LOAD WK ² lb-ft ² | MAX ALLOWABLE WK ² lb-ft ² | NEMA LOAD WK ² Sec | MAX ALLOWABLE WK ² Sec |
|-----------------|-------------------|--------------|-----------------|--|--|--|-------------------------------|-----------------------------------|
| 4.53 | 295 | 220 | 335 | 0.115 | 8.6 | 30.5 | 3.85 | 13.52 |

SAFE STALL TIME IN SECONDS

ALLOWABLE STARTS PER HOUR

SOUND PRESSURE LEVEL @ 3 FT dB(A)

| COLD | HOT | COLD | HOT | 56.9 |
|-----------|-----------|----------|----------|------|
| 33 | 23 | 2 | 1 | |

| | | | | |
|-----------|------------------|-------------|--------------------|-------------------|
| APPROVED: | M. PRATER | DRAWING NO. | 31057G1/54C | REVISION 0 |
|-----------|------------------|-------------|--------------------|-------------------|

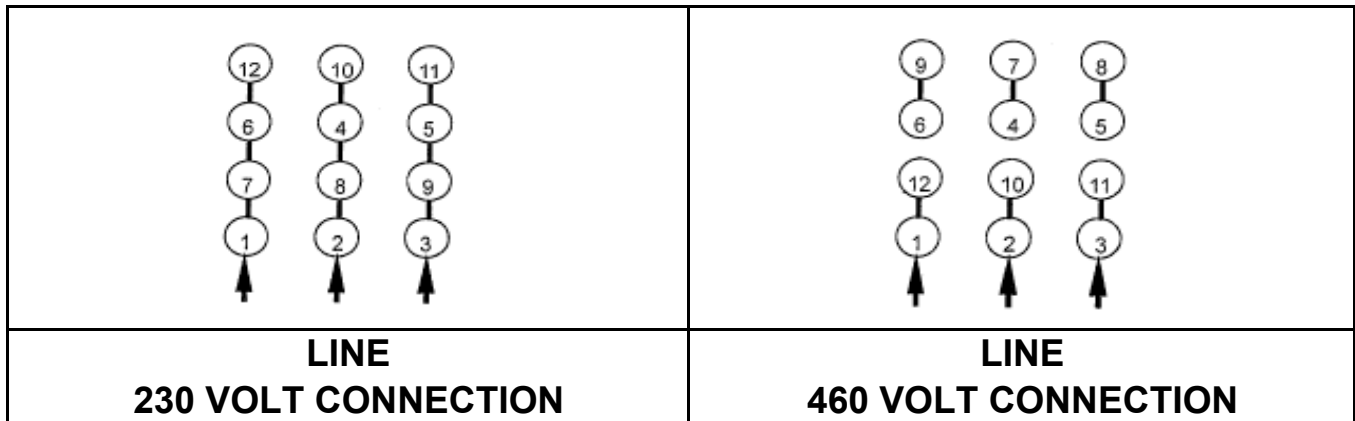
DATE:
February 7, 2007

CONNECTION DIAGRAM



SCHEMATIC - Δ / Y CONNECTION

ACROSS THE LINE CONNECTION



WYE START-DELTA RUN CONNECTION

