

DATE
May 19, 2011

CATALOG NO.
GHV0016C

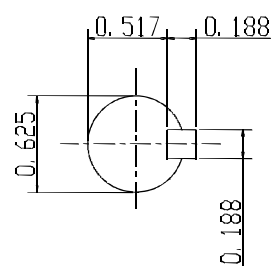
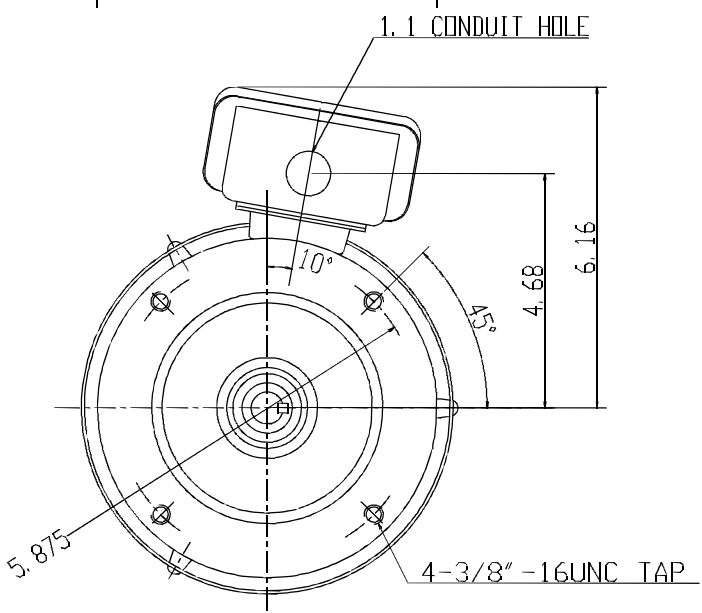
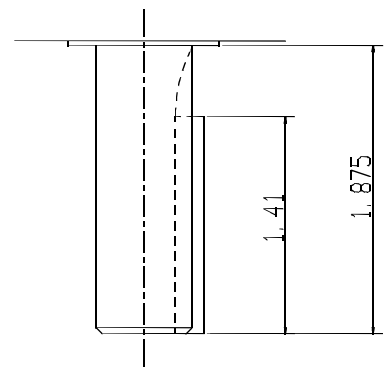
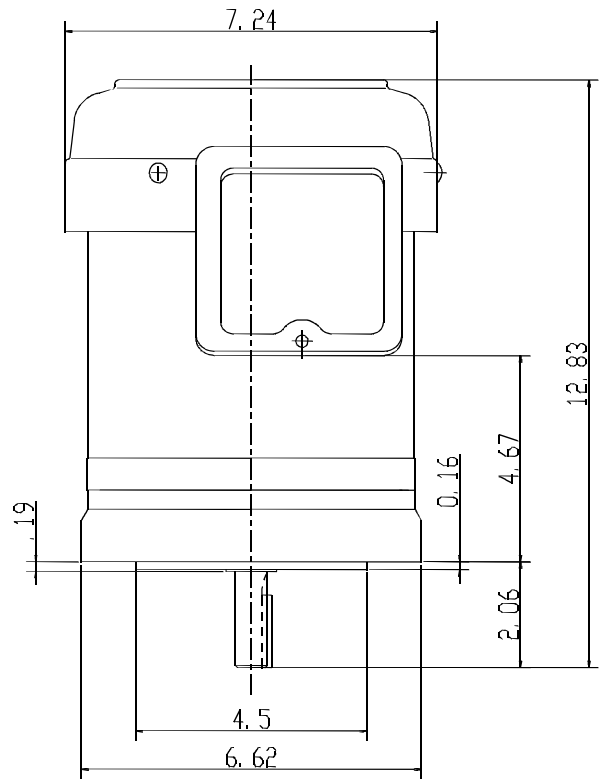
OUTLINE DIMENSIONS
3-PHASE INDUCTION MOTOR

MODEL TYPE:
AETHCF

FRAME NO. 56C

Pole	HP	KW	Hz	VOLT	Syn. Speed R. P. M
4	1	1.5	60	230/460	1200

Ins.	Rating	Dimensions in	Approx Weight	Bearings
F	CONT.	inch	39 lbs.	DF: 6205ZZ NDE: 6204ZZ



--	--	--	--	--	--	--	--

APPD.	W. H. TSAT	03 31 03
CHKD.	J. B. CHEN	03 31 03
DWN.	P. J. CHEN	03 31 03



DWG NO.
31049Z105
0724

ISSUED	PERFORMANCE DATA	MODEL
REVISED		AETHCF
	ROLLED STEEL FRAME	PAGE
	HIGH EFFICIENCY 3-PHASE INDUCTION MOTORS	3 of 6

TEFC, NEMA, DESIGN - B
CLASS F, 40°C AMBIENT, CONTINUOUS DUTY,
S.F. 1.15 230/460V 60HZ

TYPICAL PERFORMANCE

(230 V)

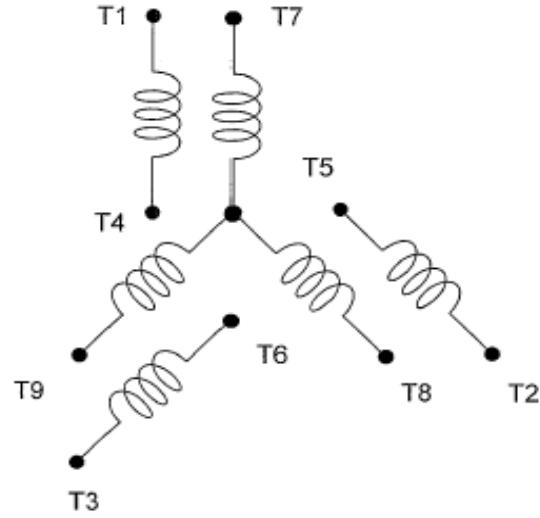
HP	FULL LOAD RPM	FRAME SIZE	EFFICIENCY(%)			POWER FACTOR(%)			CURRENT			TORQUE				ROTOR WK ² lb-ft ²	NEMA CODE LETTER	USED AT			
			FULL LOAD		3/4 LOAD	1/2 LOAD	FULL LOAD	3/4 LOAD	1/2 LOAD	FULL LOAD	208V USABLE	LOCKED ROTOR	FULL LOAD	LOCKED ROTOR	PULL UP			BREAK DOWN	50Hz	190V	
			NOM.	MIN.					(A)	ON-A	(A)	lb-ft	%FLT	%FLT	%FLT			HP	RPM	ON-A	
0.25	3440	56C	70.0	66.0	67.0	60.0	82.0	74.5	65.0	0.82	0.90	6.0	0.382	240	255	320	0.017	L	2785	1.00	
	1735	56C	72.0	68.0	70.0	63.5	73.0	63.5	51.0	0.89	0.98	6.0	0.757	240	220	340	0.028	L	1410	1.10	
	1145	56C	70.0	66.0	66.5	59.0	61.0	52.0	40.0	1.10	1.21	6.0	1.146	270	260	355	0.042	L	925	1.21	
0.33	3430	56C	72.0	68.0	68.5	64.0	82.0	75.0	65.5	1.06	1.17	7.0	0.510	280	265	320	0.017	K	2785	1.32	
	1735	56C	75.5	72.0	74.0	69.0	74.5	64.5	51.0	1.11	1.23	7.0	1.009	235	225	330	0.033	K	1405	1.33	
	1145	56C	72.0	68.0	68.5	62.0	61.0	52.0	40.0	1.42	1.57	7.0	1.529	265	255	345	0.047	K	920	1.54	
0.50	3445	56C	75.5	72.0	74.5	70.0	85.0	78.0	67.0	1.46	1.61	10.0	0.762	235	220	325	0.020	J	2785	1.87	
	1735	56C	77.0	74.0	74.5	70.0	73.5	64.5	51.5	1.65	1.83	12.0	1.513	275	265	370	0.037	L	1410	1.98	
	1145	56C	75.5	72.0	73.5	68.0	63.0	53.0	40.5	1.97	2.18	12.0	2.293	305	295	380	0.075	L	925	2.31	
0.75	3490	56C	78.5	75.5	76.5	71.5	80.5	72.0	60.0	2.22	2.46	20.0	1.128	320	305	445	0.025	M	2845	2.75	
	1730	56C	78.5	75.5	78.0	74.0	75.5	65.5	51.5	2.37	2.62	18.0	2.276	270	260	350	0.042	L	1400	2.86	
	1145	56C	78.5	75.5	77.5	73.5	72.0	64.0	51.0	2.48	2.75	16.0	3.439	190	180	285	0.095	K	925	3.08	
1.0	3470	56C	80.0	77.0	81.0	78.0	85.5	78.5	67.5	2.74	3.03	30.0	1.513	270	235	320	0.036	N	2820	3.19	
	1750	56C	85.5	82.5	85.0	82.0	75.5	67.0	54.0	2.90	3.21	30.0	3.000	365	310	410	0.100	N	1435	3.33	
	1150	56C	82.5	80.0	82.0	79.0	66.0	57.0	44.0	3.44	3.80	30.0	4.566	260	240	320	0.122	N	930	3.98	
1.5	3510	56C	85.5	82.5	85.5	83.0	83.0	76.5	64.0	3.96	4.38	40.0	2.244	400	310	450	0.059	M	2875	4.60	
	1740	56C	86.5	84.0	86.0	84.0	80.5	73.5	61.0	4.03	4.46	40.0	4.526	295	220	335	0.115	M	1410	4.85	
2.0	3505	56C	86.5	84.0	86.0	84.0	85.0	79.0	67.0	5.09	5.63	50.0	2.996	340	280	430	0.068	L	2870	6.06	
	1740	56C	86.5	84.0	86.0	84.0	79.0	71.0	58.0	5.48	6.06	50.0	6.035	390	310	390	0.143	L	1420	6.50	

NOTE : 1. Breakdown & locked rotor torques are shown as average expected values.
2. Efficiency, power factor, speed and torque are the same for other voltages.
Current values vary inversely with voltage.
3. Tolerance According to NEMA MG1-12 & IEC 60034-1.
4. Data subject to change without notice.

APPD.	M.C.Tsai	31-Aug-12	TECO Electric & Mac	DWG NO.
CHKD.	C.Y.Chen	23-Aug-12		31057H34229
DWN.	AMO	22-Aug-12		

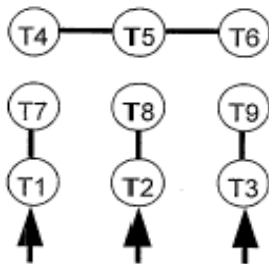
DATE:
April 28, 2009

CONNECTION DIAGRAM

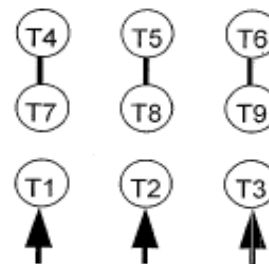


SCHEMATIC - 2Y/Y CONNECTION

ACROSS THE LINE CONNECTION



**LINE
230 VOLT CONNECTION**



**LINE
460 VOLT CONNECTION**