

DATE
May 19, 2011

CATALOG NO.
GHV0024C

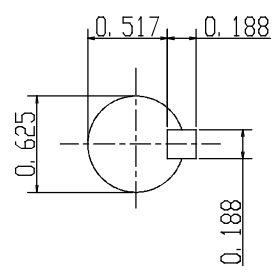
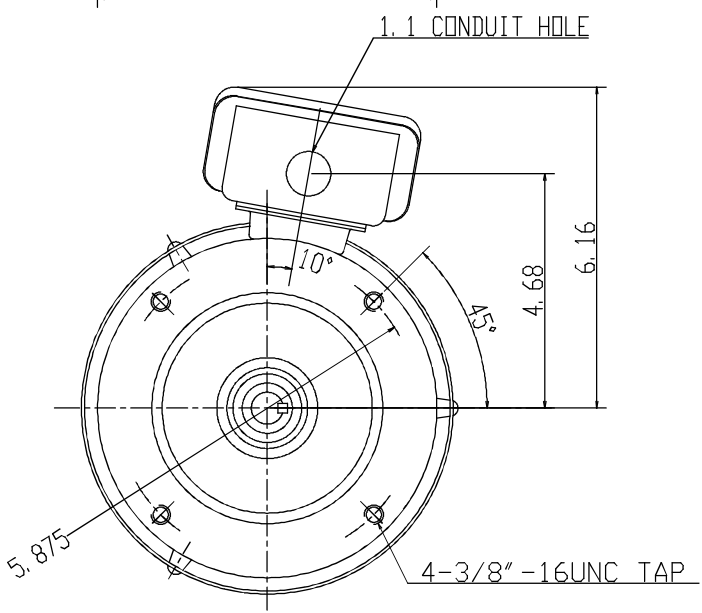
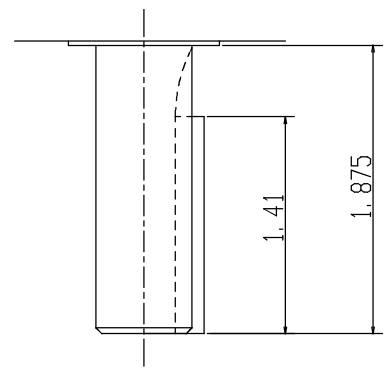
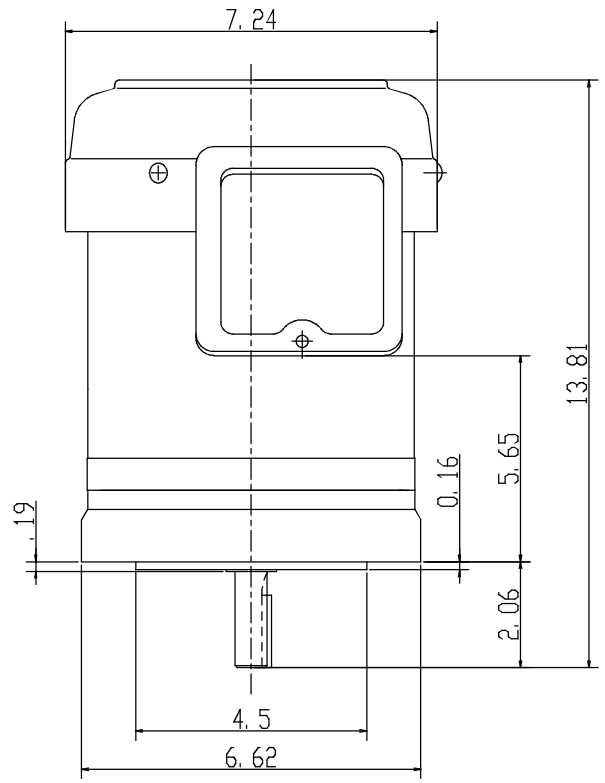
OUTLINE DIMENSIONS
3-PHASE INDUCTION MOTOR

MODEL TYPE:
AETHCF

FRAME NO. 56C

| Pole | HP | KW | Hz | VOLT | Syn. Speed R. P. M |
|------|----|-----|----|---------|-----------------------|
| 4 | 2 | 1.5 | 60 | 230/460 | 1800 |

| Ins. | Rating | Dimensions in | Approx Weight | Bearings |
|------|--------|---------------|---------------|------------------------|
| F | CONT. | inch | 44 lbs. | DF: 6205ZZ NDE: 6204ZZ |



| | | | | | | | |
|--|--|--|--|--|--|--|--|
| | | | | | | | |
|--|--|--|--|--|--|--|--|

| | | |
|-------|------------|----------|
| APPD. | W. H. TSAI | 03 31 03 |
| CHKD. | J. B. CHEN | 03 31 03 |
| DWN. | P. J. CHEN | 03 31 03 |



DWG NO.
31049Z105
0724

TECO Westinghouse

| | | |
|---------------------------|--------------------------------|-----------------------------|
| ISSUED 12/12/13 | PERFORMANCE DATA | ENCLOSURE TEFC |
| TYPE AETHCF | 3-PHASE INDUCTION MOTOR | CATALOG# GHV0024C |

NAMEPLATE INFORMATION

| OUTPUT | | POLE | FRAME SIZE | VOLTAGE | HZ | RATED AMBIENT | INS. CLASS | NEMA DESIGN | TIME RATING | SERVICE FACTOR |
|----------|-------------|----------|------------|----------------|-----------|---------------|------------|-------------|--------------|----------------|
| HP | KW | | | | | | | | | |
| 2 | 1.49 | 4 | 56C | 230/460 | 60 | 40°C | F | B | CONT. | 1.15 |

TYPICAL PERFORMANCE

| FULL LOAD RPM | EFFICIENCY | | | | POWER FACTOR | | | MAXIMUM POWER FACTOR CORRECTION |
|---------------|-------------|-------------|-------------|-------------|--------------|-------------|-------------|---------------------------------|
| | FULL LOAD | | 3/4 LOAD % | 1/2 LOAD % | F. L. % | 3/4 LOAD % | 1/2 LOAD % | |
| | MIN. % | NOM. % | | | | | | |
| 1740 | 84.0 | 86.5 | 86.0 | 83.0 | 83.0 | 76.0 | 63.5 | 1.01 KVAR |

CURRENTS

| NO LOAD | | | FULL LOAD | | | LOCKED ROTOR | | | NEMA KVA CODE LETTER |
|-------------|-------------|-------------|-------------|-------------|-------------|--------------|--------------|--------------|----------------------|
| AT | AT | AT | AT | AT | AT | AT | AT | AT | |
| 208 VOLT | 230 VOLT | 460 VOLT | 208 VOLT | 230 VOLT | 460 VOLT | 208 VOLT | 230 VOLT | 460 VOLT | |
| 3.32 | 3.00 | 1.50 | 5.77 | 5.22 | 2.61 | 55.29 | 50.00 | 25.00 | L |

TORQUE

INERTIA

ACCEL TIME

| FULL LOAD lb-ft | LOCKED ROTOR %FLT | PULL UP %FLT | BREAK DOWN %FLT | ROTOR WR ² lb-ft ² | NEMA LOAD WK ² lb-ft ² | MAX ALLOWABLE WK ² lb-ft ² | NEMA LOAD WK ² Sec | MAX ALLOWABLE WK ² Sec |
|-----------------|-------------------|--------------|-----------------|--|--|--|-------------------------------|-----------------------------------|
| 6.04 | 235 | 165 | 350 | 0.129 | 11 | 33 | 3.86 | 11.48 |

SAFE STALL TIME IN SECONDS

ALLOWABLE STARTS PER HOUR

SOUND PRESSURE LEVEL @ 3 FT dB(A)

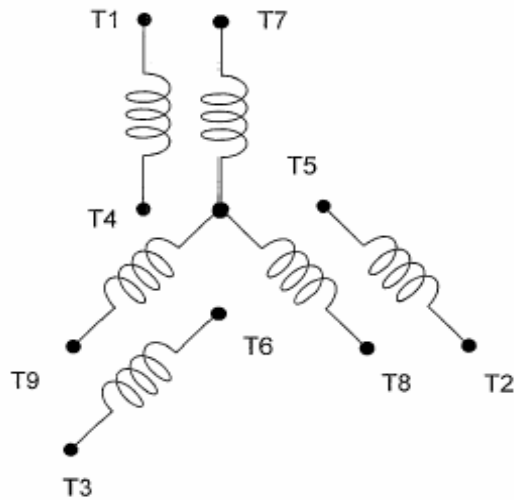
| COLD | | HOT | | |
|-----------|-----------|----------|----------|--|
| 44 | 21 | 2 | 1 | |

| | | | | |
|-----------|------------------|-------------|----------------------|-------------------|
| APPROVED: | M. PRATER | DRAWING NO. | 31057GHV0024C | REVISION 0 |
|-----------|------------------|-------------|----------------------|-------------------|

DATE:
May 28, 2009

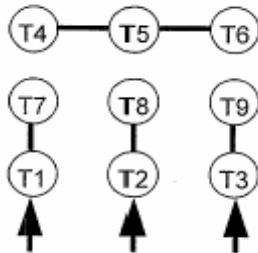
CONNECTION DIAGRAM

CATALOG NO.:
GHV0024C

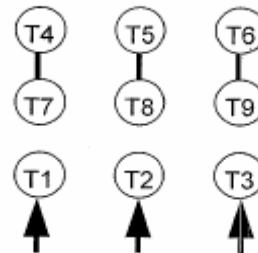


SCHEMATIC - 2Y/Y CONNECTION

ACROSS THE LINE CONNECTION



LINE
230 VOLT CONNECTION



LINE
460 VOLT CONNECTION

TECO  **Westinghouse**

DWG NO.
DAC-1566-2