

DATE
MAY 28, 2009

CATALOG # GP0016

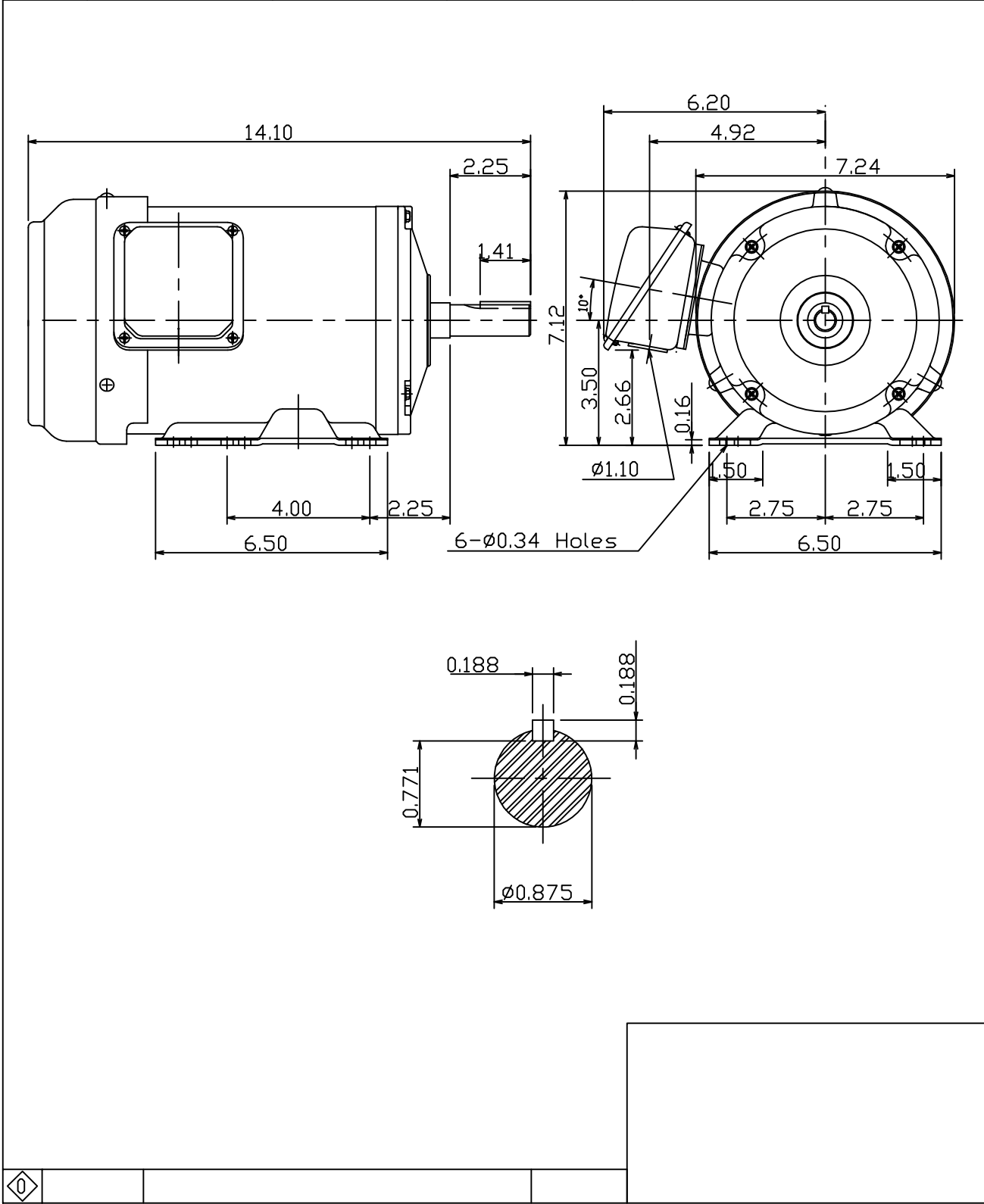
OUTLINE DIMENSIONS
3-PHASE INDUCTION MOTOR

MOTOR TYPE:
AEGH

FRAME NO. 145T

| Pole | HP | kW | Hz | VOLT | r/min |
|------|----|------|----|---------|-------|
| 6 | 1 | 0.75 | 60 | 230/460 | 1200 |

| Ins | Rating | Dimension in | Approx Weight | Bearings |
|-----|--------|--------------|---------------|------------------------|
| F | CONT. | inch. | 37 lbs. | DE: 6205ZZ NDE: 6204ZZ |



| | | | | | |
|-------|-----|----------|--|---------|--------------|
| DWN. | 陳奕元 | 04-09-09 | 東元電機股份有限公司 TECO Electric & Machinery Co., Ltd. TAIWAN | DWG NO. | 31049Z107480 |
| CHKD. | 陳敬元 | 04-09-09 | | | |
| APPD. | 蔡明釗 | 04-09-09 | | | |

TECO Westinghouse

| | | |
|---------------------------|--------------------------------|---------------------------|
| ISSUED 12/27/13 | PERFORMANCE DATA | ENCLOSURE TEFC |
| TYPE AEGH | 3-PHASE INDUCTION MOTOR | CATALOG# GP0016 |

NAMEPLATE INFORMATION

| OUTPUT | | POLE | FRAME SIZE | VOLTAGE | HZ | RATED AMBIENT | INS. CLASS | NEMA DESIGN | TIME RATING | SERVICE FACTOR |
|----------|-------------|----------|-------------|----------------|-----------|---------------|------------|-------------|--------------|----------------|
| HP | KW | | | | | | | | | |
| 1 | 0.75 | 6 | 145T | 230/460 | 60 | 40°C | F | B | CONT. | 1.15 |

TYPICAL PERFORMANCE

| FULL LOAD RPM | EFFICIENCY | | | | POWER FACTOR | | | MAXIMUM POWER FACTOR CORRECTION |
|---------------|-------------|-------------|-------------|-------------|--------------|-------------|-------------|---------------------------------|
| | FULL LOAD | | 3/4 LOAD % | 1/2 LOAD % | F. L. % | 3/4 LOAD % | 1/2 LOAD % | |
| | MIN. % | NOM. % | | | | | | |
| 1155 | 80.0 | 82.5 | 81.5 | 77.5 | 64.0 | 54.0 | 41.0 | 0.91 KVAR |

CURRENTS

| NO LOAD | | | FULL LOAD | | | LOCKED ROTOR | | | NEMA KVA CODE LETTER |
|-------------|-------------|-------------|-------------|-------------|-------------|--------------|--------------|--------------|----------------------|
| AT | AT | AT | AT | AT | AT | AT | AT | AT | |
| 208 VOLT | 230 VOLT | 460 VOLT | 208 VOLT | 230 VOLT | 460 VOLT | 208 VOLT | 230 VOLT | 460 VOLT | |
| 2.21 | 2.70 | 1.35 | 3.94 | 3.55 | 1.78 | 27.13 | 30.00 | 15.00 | N |

TORQUE

INERTIA

ACCEL TIME

| FULL LOAD lb-ft | LOCKED ROTOR %FLT | PULL UP %FLT | BREAK DOWN %FLT | ROTOR WR ² lb-ft ² | NEMA LOAD WK ² lb-ft ² | MAX ALLOWABLE WK ² lb-ft ² | NEMA LOAD WK ² Sec | MAX ALLOWABLE WK ² Sec |
|-----------------|-------------------|--------------|-----------------|--|--|--|-------------------------------|-----------------------------------|
| 4.55 | 205 | 195 | 335 | 0.115 | 15 | 45 | 4.93 | 14.73 |

SAFE STALL TIME IN SECONDS

ALLOWABLE STARTS PER HOUR

SOUND PRESSURE LEVEL @ 3 FT dB(A)

| COLD | HOT | COLD | HOT | |
|-----------|-----------|----------|----------|--|
| 43 | 30 | 2 | 1 | |

| | | | | |
|-----------|------------------|-------------|--------------------|-------------------|
| APPROVED: | M. PRATER | DRAWING NO. | 31057GP0016 | REVISION 0 |
|-----------|------------------|-------------|--------------------|-------------------|

DATE:
May 28, 2009

CONNECTION DIAGRAM

CATALOG NO.:
GP0016



SCHEMATIC - 2Y/Y CONNECTION

ACROSS THE LINE CONNECTION



LINE
230 VOLT CONNECTION



LINE
460 VOLT CONNECTION

TECO  **Westinghouse**

DWG NO.
DAC-1566-2