

DATE  
OCTOBER 27, 2009  
CAT. #: GP0034C

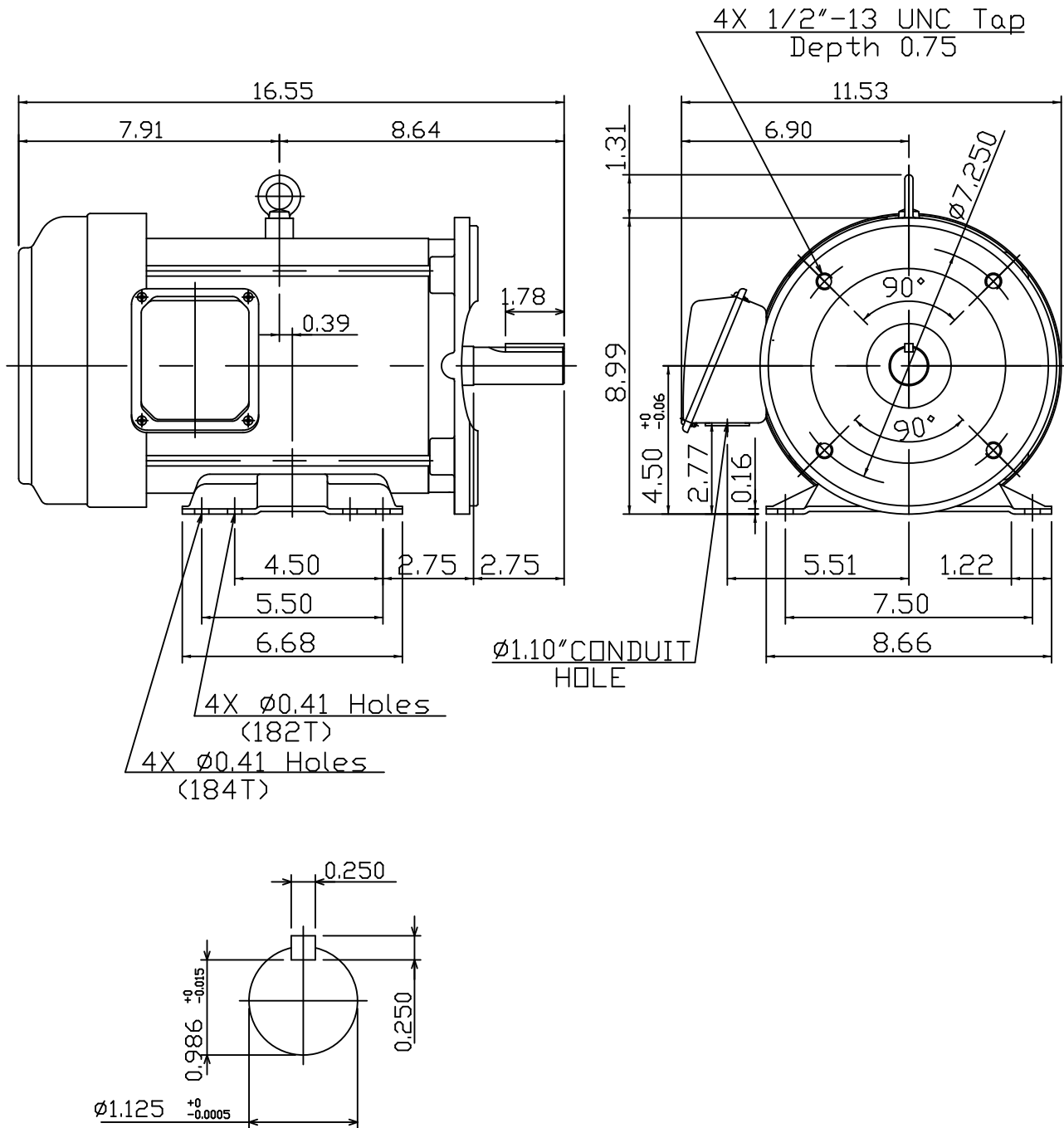
OUTLINE DIMENSIONS  
3-PHASE INDUCTION MOTOR

MOTOR TYPE:  
AEGH-CF  
FRAME NO. 182TC

|      |    |      |    |         |                         |
|------|----|------|----|---------|-------------------------|
| Pole | HP | kW   | Hz | VOLT    | Syn.Speed<br>r/min(rpm) |
| 4    | 3  | 2.24 | 60 | 230/460 | 1800                    |

|     |        |              |               |                            |
|-----|--------|--------------|---------------|----------------------------|
| Ins | Rating | Dimension in | Approx Weight | Bearings                   |
| F   | CONT.  | inches       | 73 lbs.       | DE: 6206ZZC3 NDE: 6205ZZC3 |

Totally Enclosed Fan-Cooled Type. Squirrel-Cage Rotor.



|       |           |          |
|-------|-----------|----------|
| DWN.  | Y.S.LIN   | 10 05 09 |
| CHKD. | J.H.LIANG | 10 06 09 |
| APPD. | M.C.TSAI  | 10 06 09 |



DWG NO.  
31049R171020

# TECO Westinghouse

|                           |                                |                            |
|---------------------------|--------------------------------|----------------------------|
| ISSUED<br><b>12/27/13</b> | <b>PERFORMANCE DATA</b>        | ENCLOSURE<br><b>TEFC</b>   |
| TYPE<br><b>AEGHCF</b>     | <b>3-PHASE INDUCTION MOTOR</b> | CATALOG#<br><b>GP0034C</b> |

### NAMEPLATE INFORMATION

| OUTPUT   |             | POLE     | FRAME SIZE   | VOLTAGE        | HZ        | RATED AMBIENT | INS. CLASS | NEMA DESIGN | TIME RATING  | SERVICE FACTOR |
|----------|-------------|----------|--------------|----------------|-----------|---------------|------------|-------------|--------------|----------------|
| HP       | KW          |          |              |                |           |               |            |             |              |                |
| <b>3</b> | <b>2.24</b> | <b>4</b> | <b>182TC</b> | <b>230/460</b> | <b>60</b> | <b>40°C</b>   | <b>F</b>   | <b>B</b>    | <b>CONT.</b> | <b>1.15</b>    |

### TYPICAL PERFORMANCE

| FULL LOAD RPM | EFFICIENCY  |             |             |             | POWER FACTOR |             |             | MAXIMUM POWER FACTOR CORRECTION |
|---------------|-------------|-------------|-------------|-------------|--------------|-------------|-------------|---------------------------------|
|               | FULL LOAD   |             | 3/4 LOAD %  | 1/2 LOAD %  | F. L. %      | 3/4 LOAD %  | 1/2 LOAD %  |                                 |
|               | MIN. %      | NOM. %      |             |             |              |             |             |                                 |
| <b>1755</b>   | <b>87.5</b> | <b>89.5</b> | <b>88.0</b> | <b>86.5</b> | <b>74.0</b>  | <b>66.5</b> | <b>53.5</b> | <b>1.72 KVAR</b>                |

### CURRENTS

| NO LOAD     |             |             | FULL LOAD   |             |             | LOCKED ROTOR |              |              | NEMA KVA CODE LETTER |
|-------------|-------------|-------------|-------------|-------------|-------------|--------------|--------------|--------------|----------------------|
| AT          | AT          | AT          | AT          | AT          | AT          | AT           | AT           | AT           |                      |
| 208 VOLT    | 230 VOLT    | 460 VOLT    | 208 VOLT    | 230 VOLT    | 460 VOLT    | 208 VOLT     | 230 VOLT     | 460 VOLT     |                      |
| <b>4.17</b> | <b>5.10</b> | <b>2.55</b> | <b>9.38</b> | <b>8.48</b> | <b>4.24</b> | <b>57.88</b> | <b>64.00</b> | <b>32.00</b> | <b>K</b>             |

### TORQUE

### INERTIA

### ACCEL TIME

| FULL LOAD lb-ft | LOCKED ROTOR %FLT | PULL UP %FLT | BREAK DOWN %FLT | ROTOR WR <sup>2</sup> lb-ft <sup>2</sup> | NEMA LOAD WK <sup>2</sup> lb-ft <sup>2</sup> | MAX ALLOWABLE WK <sup>2</sup> lb-ft <sup>2</sup> | NEMA LOAD WK <sup>2</sup> Sec | MAX ALLOWABLE WK <sup>2</sup> Sec |
|-----------------|-------------------|--------------|-----------------|--|--|--|-------------------------------|-----------------------------------|
| <b>8.98</b>     | <b>250</b>        | <b>200</b>   | <b>320</b>      | <b>0.362</b>                             | <b>17</b>                                    | <b>51</b>  | <b>4.24</b>                   | <b>12.53</b>                      |

SAFE STALL TIME IN SECONDS

ALLOWABLE STARTS PER HOUR

SOUND PRESSURE LEVEL @ 3 FT dB(A)

| COLD      | HOT       | COLD     | HOT      |           |
|-----------|-----------|----------|----------|-----------|
| <b>54</b> | <b>38</b> | <b>2</b> | <b>1</b> | <b>61</b> |

|           |                  |             |                     |                   |
|-----------|------------------|-------------|---------------------|-------------------|
| APPROVED: | <b>M. PRATER</b> | DRAWING NO. | <b>31057GP0034C</b> | REVISION <b>0</b> |
|-----------|------------------|-------------|---------------------|-------------------|

DATE:  
May 28, 2009

# CONNECTION DIAGRAM

CATALOG NO.:  
GP0034C



**SCHEMATIC - 2Y/Y CONNECTION**

## ACROSS THE LINE CONNECTION



**LINE**  
**230 VOLT CONNECTION**



**LINE**  
**460 VOLT CONNECTION**

**TECO**  **Westinghouse**

DWG NO.  
**DAC-1566-2**