

DATE  
MAY 28, 2009  
CATALOG # GP0052

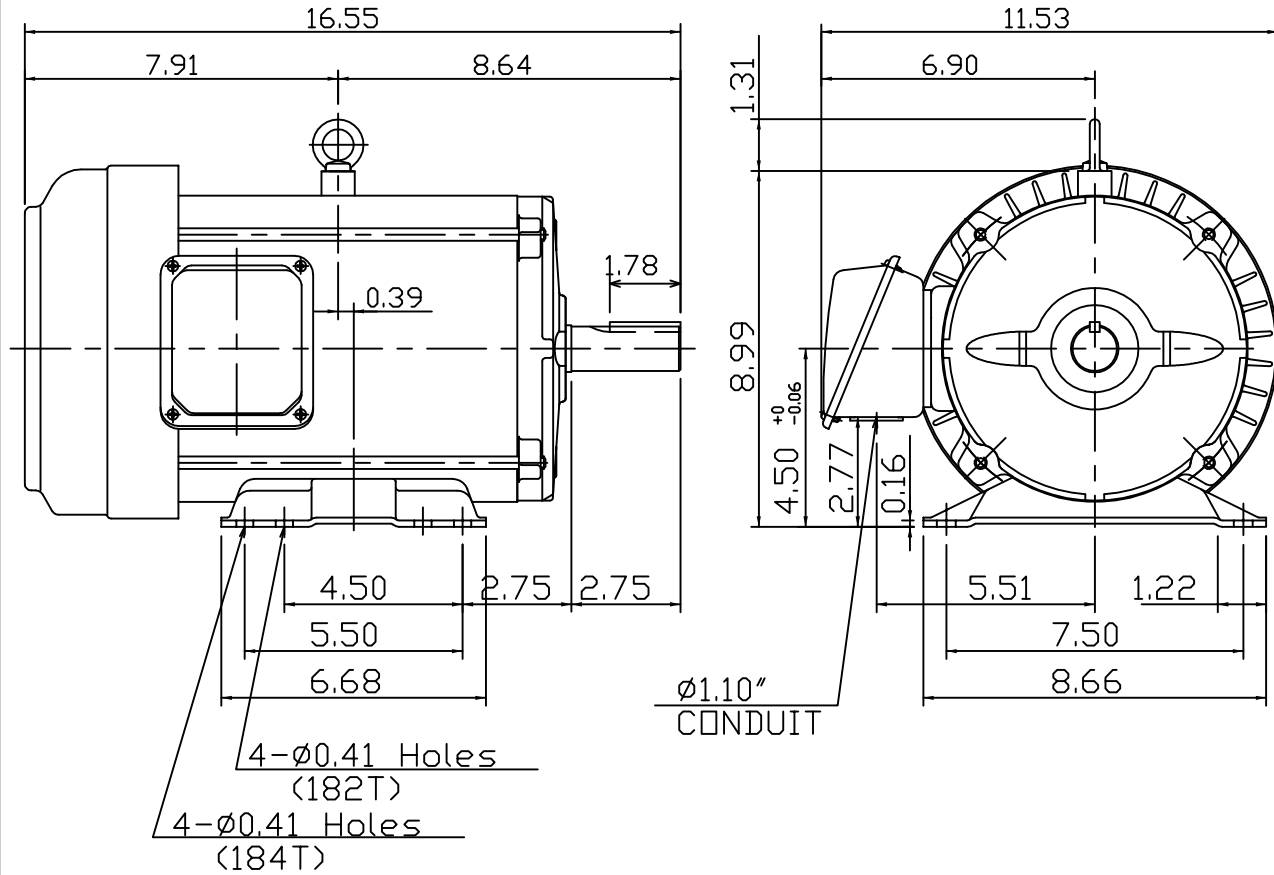
OUTLINE DIMENSIONS  
3-PHASE INDUCTION MOTOR

MOTOR TYPE:  
AEGH  
FRAME NO. 184T

| Pole | HP | kW   | Hz | VOLT    | Syn.Speed<br>r/min(rpm) |
|------|----|------|----|---------|-------------------------|
| 2    | 5  | 3.73 | 60 | 230/460 | 3600                    |

| Ins | Rating | Dimension in | Approx Weight | Bearings                   |
|-----|--------|--------------|---------------|----------------------------|
| F   | CONT.  | inches       | 84 lbs.       | DE: 6206ZZC3 NDE: 6205ZZC3 |

Totally Enclosed Fan-Cooled Type, Squirrel-Cage Rotor.



|       |           |          |
|-------|-----------|----------|
| DWN.  | J.H.LIANG | 04-28-08 |
| CHKD. | H.C.YAN   | 05-05-08 |
| APPD. | M.C.TSAI  | 05-05-08 |



DWG NO.  
31049R171010

# TECO Westinghouse

|                           |                                |                           |
|---------------------------|--------------------------------|---------------------------|
| ISSUED<br><b>12/27/13</b> | <b>PERFORMANCE DATA</b>        | ENCLOSURE<br><b>TEFC</b>  |
| TYPE<br><b>AEGH</b>       | <b>3-PHASE INDUCTION MOTOR</b> | CATALOG#<br><b>GP0052</b> |

### NAMEPLATE INFORMATION

| OUTPUT   |             | POLE     | FRAME SIZE  | VOLTAGE        | HZ        | RATED AMBIENT | INS. CLASS | NEMA DESIGN | TIME RATING  | SERVICE FACTOR |
|----------|-------------|----------|-------------|----------------|-----------|---------------|------------|-------------|--------------|----------------|
| HP       | KW          |          |             |                |           |               |            |             |              |                |
| <b>5</b> | <b>3.73</b> | <b>2</b> | <b>184T</b> | <b>230/460</b> | <b>60</b> | <b>40°C</b>   | <b>F</b>   | <b>B</b>    | <b>CONT.</b> | <b>1.15</b>    |

### TYPICAL PERFORMANCE

| FULL LOAD RPM | EFFICIENCY  |             |             |             | POWER FACTOR |             |             | MAXIMUM POWER FACTOR CORRECTION |
|---------------|-------------|-------------|-------------|-------------|--------------|-------------|-------------|---------------------------------|
|               | FULL LOAD   |             | 3/4 LOAD %  | 1/2 LOAD %  | F. L. %      | 3/4 LOAD %  | 1/2 LOAD %  |                                 |
|               | MIN. %      | NOM. %      |             |             |              |             |             |                                 |
| <b>3460</b>   | <b>87.5</b> | <b>89.5</b> | <b>91.0</b> | <b>90.0</b> | <b>90.0</b>  | <b>87.0</b> | <b>79.0</b> | <b>1.25 KVAR</b>                |

### CURRENTS

| NO LOAD     |             |             | FULL LOAD    |              |             | LOCKED ROTOR |              |              | NEMA KVA CODE LETTER |
|-------------|-------------|-------------|--------------|--------------|-------------|--------------|--------------|--------------|----------------------|
| AT          | AT          | AT          | AT           | AT           | AT          | AT           | AT           | AT           |                      |
| 208 VOLT    | 230 VOLT    | 460 VOLT    | 208 VOLT     | 230 VOLT     | 460 VOLT    | 208 VOLT     | 230 VOLT     | 460 VOLT     |                      |
| <b>3.03</b> | <b>3.70</b> | <b>1.85</b> | <b>12.83</b> | <b>11.60</b> | <b>5.80</b> | <b>83.20</b> | <b>92.00</b> | <b>46.00</b> | <b>J</b>             |

### TORQUE

### INERTIA

### ACCEL TIME

| FULL LOAD lb-ft | LOCKED ROTOR %FLT | PULL UP %FLT | BREAK DOWN %FLT | ROTOR WR <sup>2</sup> lb-ft <sup>2</sup> | NEMA LOAD WK <sup>2</sup> lb-ft <sup>2</sup> | MAX ALLOWABLE WK <sup>2</sup> lb-ft <sup>2</sup> | NEMA LOAD WK <sup>2</sup> Sec | MAX ALLOWABLE WK <sup>2</sup> Sec |
|-----------------|-------------------|--------------|-----------------|------------------------------------------|----------------------------------------------|--------------------------------------------------|-------------------------------|-----------------------------------|
| <b>7.59</b>     | <b>260</b>        | <b>255</b>   | <b>335</b>      | <b>0.27</b>                              | <b>5.7</b>                                   | <b>17.1</b>                                      | <b>3.26</b>                   | <b>9.50</b>                       |

SAFE STALL TIME IN SECONDS

ALLOWABLE STARTS PER HOUR

SOUND PRESSURE LEVEL @ 3 FT dB(A)

| SAFE STALL TIME IN SECONDS |           | ALLOWABLE STARTS PER HOUR |          | SOUND PRESSURE LEVEL @ 3 FT dB(A) |
|----------------------------|-----------|---------------------------|----------|-----------------------------------|
| COLD                       | HOT       | COLD                      | HOT      |                                   |
| <b>17</b>                  | <b>12</b> | <b>2</b>                  | <b>1</b> | <b>62</b>                         |

|           |                  |             |                    |                   |
|-----------|------------------|-------------|--------------------|-------------------|
| APPROVED: | <b>M. PRATER</b> | DRAWING NO. | <b>31057GP0052</b> | REVISION <b>0</b> |
|-----------|------------------|-------------|--------------------|-------------------|

DATE:  
May 28, 2009

# CONNECTION DIAGRAM

CATALOG NO.:  
GP0052



**SCHEMATIC - 2Y/Y CONNECTION**

## ACROSS THE LINE CONNECTION



**LINE**  
**230 VOLT CONNECTION**



**LINE**  
**460 VOLT CONNECTION**

**TECO**  **Westinghouse**

DWG NO.  
**DAC-1566-2**