

DATE
OCTOBER 29, 2009

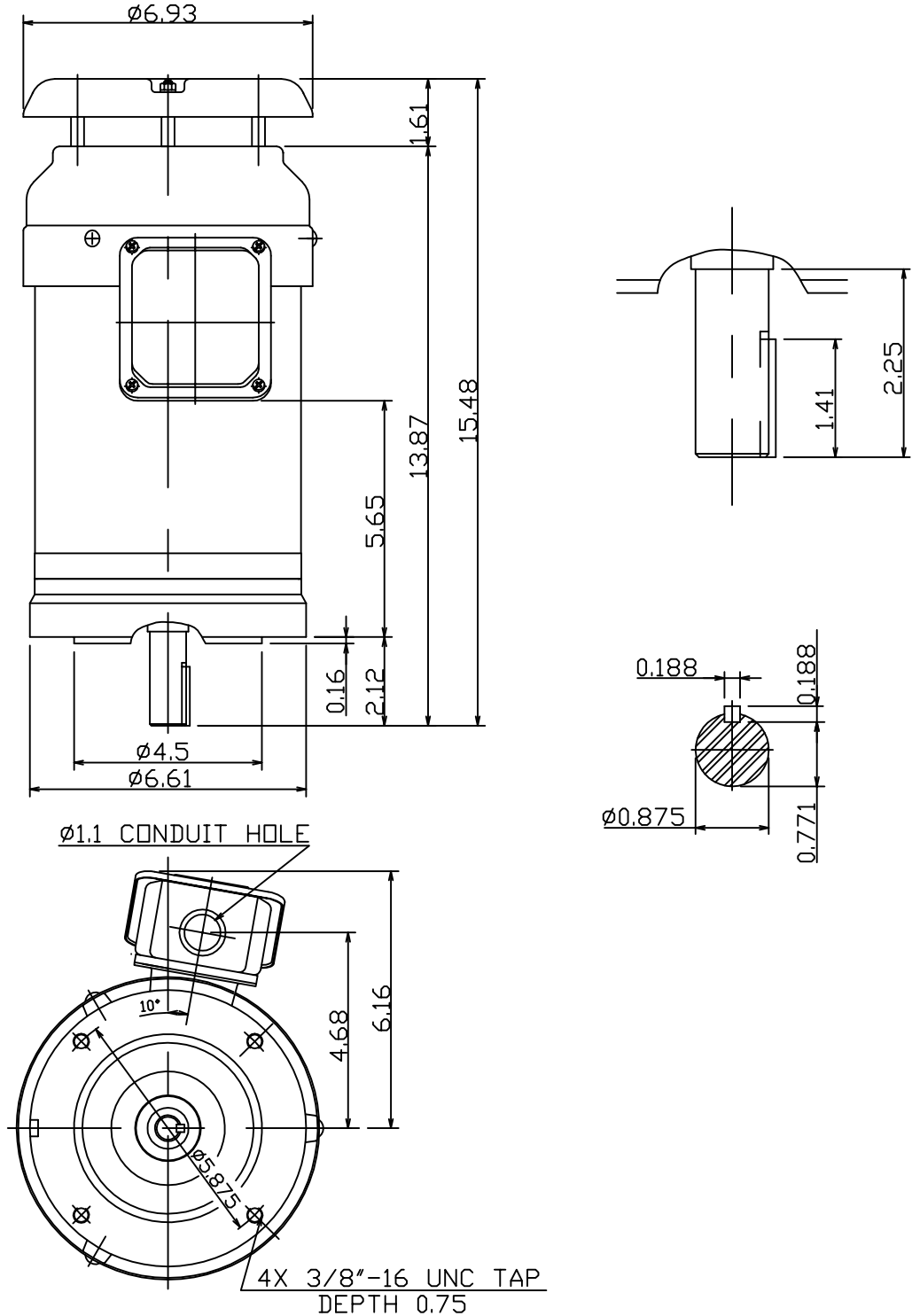
OUTLINE DIMENSIONS
3-PHASE INDUCTION MOTOR

MOTOR TYPE:
AETHCF
FRAME NO. 143TC

CAT. #: GPV0012C

Pole	HP	kW	Hz	VOLT	Syn.Speed r/min(rpm)
2	1	.75	60	230/460	3600

Ins	Rating	Dimension in	Approx Weight	Bearings
F	CONT.	inch.	33 lbs.	DE: 6205ZZ NDE: 6204ZZ



09.24.09 防雨蓋尺寸變更 陳奕元

DWN.	Y.Y.CHEN	09-22-09
CHKD.	C.Y.CHEN	09-24-09
APPD.	M.C.TSAI	09-24-09



DWG NO.
31049Z107741

TECO Westinghouse

ISSUED 10/29/09	PERFORMANCE DATA	ENCLOSURE TEFC
TYPE AETHCF	3-PHASE INDUCTION MOTOR	CATALOG# GPV0012C

NAMEPLATE INFORMATION

OUTPUT		POLE	FRAME SIZE	VOLTAGE	HZ	RATED AMBIENT	INS. CLASS	NEMA DESIGN	TIME RATING	SERVICE FACTOR
HP	KW									
1	0.75	2	143TC	230/460	60	40°C	F	B	CONT.	1.15

TYPICAL PERFORMANCE

FULL LOAD RPM	EFFICIENCY				POWER FACTOR			MAXIMUM POWER FACTOR CORRECTION
	FULL LOAD		3/4 LOAD %	1/2 LOAD %	F. L. %	3/4 LOAD %	1/2 LOAD %	
	MIN. %	NOM. %						
3480	75.5	78.5	77.0	73.0	83.0	75.5	63.0	0.47 KVAR

CURRENTS

NO LOAD			FULL LOAD			LOCKED ROTOR			NEMA KVA CODE LETTER
AT	AT	AT	AT	AT	AT	AT	AT	AT	
208 VOLT	230 VOLT	460 VOLT	208 VOLT	230 VOLT	460 VOLT	208 VOLT	230 VOLT	460 VOLT	
1.55	1.40	0.70	3.18	2.87	1.44	33.17	30.00	15.00	N

TORQUE

INERTIA

ACCEL TIME

FULL LOAD lb-ft	LOCKED ROTOR %FLT	PULL UP %FLT	BREAK DOWN %FLT	ROTOR WR ² lb-ft ²	NEMA LOAD WK ² lb-ft ²	MAX ALLOWABLE WK ² lb-ft ²	NEMA LOAD WK ² Sec	MAX ALLOWABLE WK ² Sec
1.51	170	150	275	0.032	1.2	4	4.37	14.31

SAFE STALL TIME IN SECONDS

ALLOWABLE STARTS PER HOUR

SOUND PRESSURE LEVEL @ 3 FT dB(A)

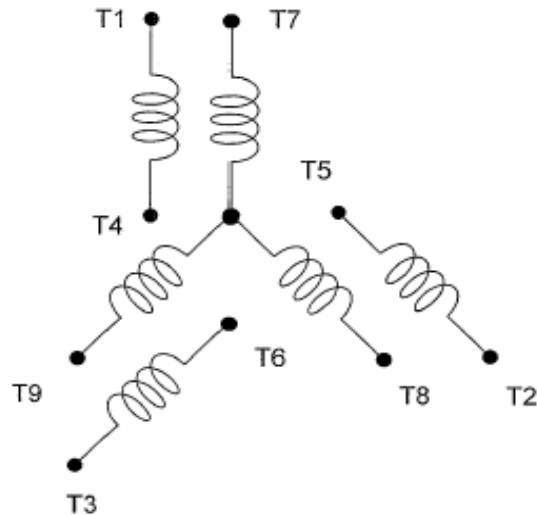
COLD	HOT	COLD	HOT	60
23	16	2	1	

APPROVED:	M. PRATER	DRAWING NO.	31057GPV0012C	REVISION 0
-----------	------------------	-------------	----------------------	-------------------

DATE:
October 29, 2009

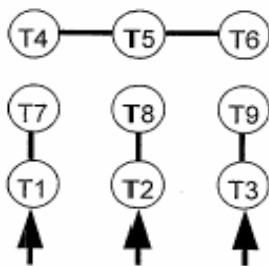
CONNECTION DIAGRAM

CATALOG NO.:
GPV0012C

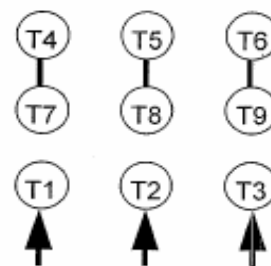


SCHEMATIC - 2Y/Y CONNECTION

ACROSS THE LINE CONNECTION



**LINE
230 VOLT CONNECTION**



**LINE
460 VOLT CONNECTION**