

# PRODUCT INFORMATION PACKET

Model No: 405TTDCD6060

Catalog No: GT0049A

General Purpose Motor, 125 HP, 3 Ph, 60 Hz, 460 V, 1800 RPM, 405T Frame, DP



Regal and are trademarks of Regal Rexnord Corporation or one of its affiliated companies.  
©2022 Regal Rexnord Corporation, All Rights Reserved. MC017097E

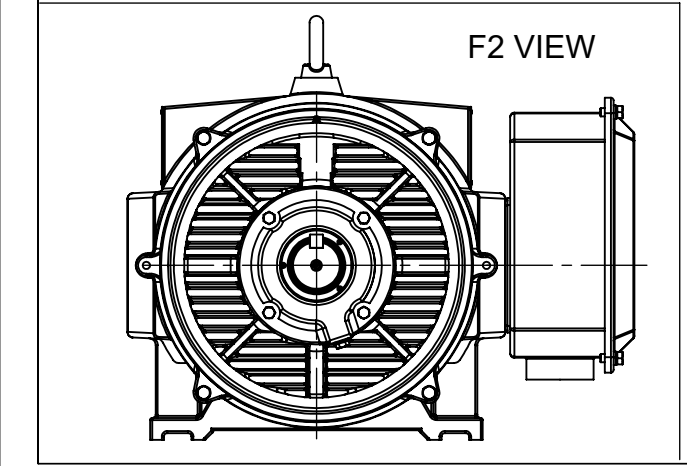
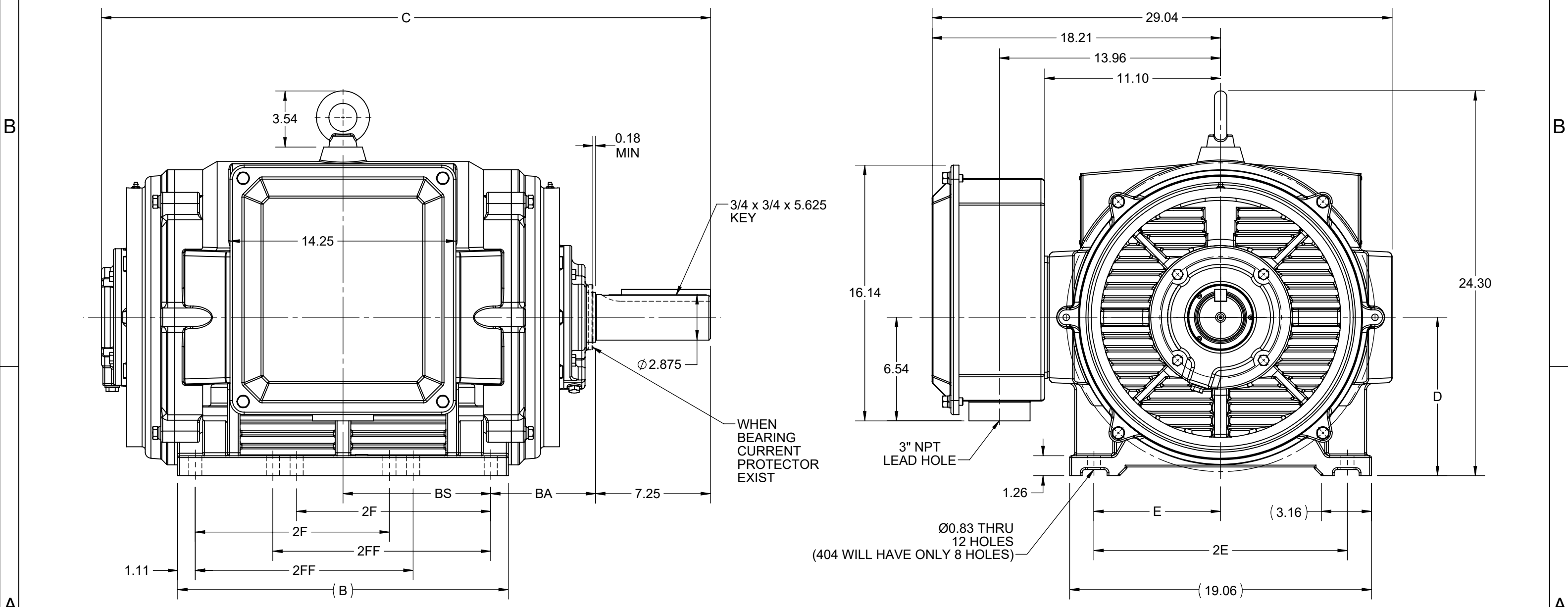
**Nameplate Specifications**

|                        |                      |                            |                   |
|------------------------|----------------------|----------------------------|-------------------|
| Output HP              | <b>125 Hp</b>        | Output KW                  | <b>93.0 kW</b>    |
| Frequency              | <b>60 Hz</b>         | Voltage                    | <b>460 V</b>      |
| Current                | <b>142.0 A</b>       | Speed                      | <b>1785 rpm</b>   |
| Service Factor         | <b>1.15</b>          | Phase                      | <b>3</b>          |
| Efficiency             | <b>95.4 %</b>        | Power Factor               | <b>86.5</b>       |
| Duty                   | <b>Continuous</b>    | Insulation Class           | <b>F</b>          |
| Design Code            | <b>B</b>             | KVA Code                   | <b>G</b>          |
| Frame                  | <b>405T</b>          | Enclosure                  | <b>Drip Proof</b> |
| Thermal Protection     | <b>No Protection</b> | Ambient Temperature        | <b>40 °C</b>      |
| Drive End Bearing Size | <b>6316</b>          | Opp Drive End Bearing Size | <b>6315</b>       |
| UL                     | <b>Recognized</b>    | CSA                        | <b>Y</b>          |
| CE                     | <b>Y</b>             | IP Code                    | <b>22</b>         |
| Number of Speeds       | <b>1</b>             |                            |                   |

**Technical Specifications**

|                       |                                     |                   |                                   |
|-----------------------|-------------------------------------|-------------------|-----------------------------------|
| Electrical Type       | <b>Squirrel Cage Inverter Rated</b> | Starting Method   | <b>Part Wdg Start Or Inverter</b> |
| Poles                 | <b>4</b>                            | Rotation          | <b>Reversible</b>                 |
| Resistance Main       | <b>.044 Ohms</b>                    | Mounting          | <b>Rigid Base</b>                 |
| Motor Orientation     | <b>Horizontal</b>                   | Drive End Bearing | <b>Ball</b>                       |
| Opp Drive End Bearing | <b>Ball</b>                         | Frame Material    | <b>Cast Iron</b>                  |
| Shaft Type            | <b>T</b>                            | Overall Length    | <b>38.78 in</b>                   |
| Shaft Diameter        | <b>2.875 in</b>                     | Shaft Extension   | <b>7.25 in</b>                    |
| Assembly/Box Mounting | <b>F1/F2 CAPABLE</b>                | Inverter Load     | <b>VARIABLE 10:1</b>              |
| Connection Drawing    | <b>EE7341C</b>                      | Outline Drawing   | <b>SS620754-200</b>               |

| DASH NO. | 4     |       | 3     |      |       |       | 2     |      | 1    |          |       |
|----------|-------|-------|-------|------|-------|-------|-------|------|------|----------|-------|
|          | B     | C     | D     | E    | 2E    | 2F    | 2FF   | BA   | BS   | MOUNTING | FRAME |
| 100      | 19.29 | 36.86 | 10.00 | 8.00 | 16.00 | ---   | 12.25 | 6.62 | 8.54 | F1 OR F2 | 404T  |
| 200      | 20.87 | 38.43 |       |      |       | 12.25 | 13.75 |      |      |          | 9.32  |



|   |                       |                               |
|---|-----------------------|-------------------------------|
| DRAWING REVISION<br>C   | REVISION BY<br>GOPI J | REV DATE/© DATE<br>09/02/2022 |
| REQUEST NUMBER<br>CR-0006851  | APPROVED BY<br>SBD    | DATE<br>09/02/2022            |
| REQUEST NUMBER DESCRIPTION<br>VIEWS UPDATED AS PER 3D   |                       |                               |
| <small>COPYRIGHT (PER REVISION DATE) REGAL BELOIT AMERICA, INC. ALL RIGHTS RESERVED. PROPRIETARY AND CONFIDENTIAL INFORMATION - THIS DOCUMENT IS THE PROPERTY OF REGAL BELOIT AMERICA, INC. ("OWNER") AND CONTAINS OWNER'S PROPRIETARY INFORMATION. ANY PERSON, CORPORATION OR OTHER FIRM RECEIVING IT IS DEEMED, BY RECEIVING IT, TO AGREE THAT IT, AND/OR ANY PART OF IT, SHALL NOT BE DISCLOSED TO ANY PERSON, CORPORATION OR OTHER ENTITY, DUPLICATED, AND/OR USED, EXCEPT AS EXPRESSLY APPROVED IN WRITING IN ADVANCE BY OWNER. THIS DOCUMENT SHALL BE RETURNED TO OWNER UPON REQUEST. IT MAY BE SUBJECT TO CERTAIN RESTRICTIONS UNDER APPLICABLE EXPORT CONTROL LAWS AND REGULATIONS.</small> |                       |                               |

PRIMARY DIMENSIONS ARE INCH  
mm DIMENSIONS IN [BRACKETS]  
ARE FOR REFERENCE ONLY

|                        |   |                            |
|------------------------|---|----------------------------|
| DRAWN BY<br>WY         | Regal Beloit America, Inc.                                      |                            |
| DATE<br>21/07/2016     |   |                            |
| APPROVED BY            | DESCRIPTION<br><b>OUTLINE</b><br>404/405T FR NEMA ODP CAST IRON |                            |
| DATE                   | MATERIAL  | PROCESS/FINISH             |
| REFERENCE              | SIZE<br>B   | DRAWING NUMBER<br>SS620754 |
| THIRD ANGLE PROJECTION | SHEET<br>1 OF 1   |                            |

EE7341C

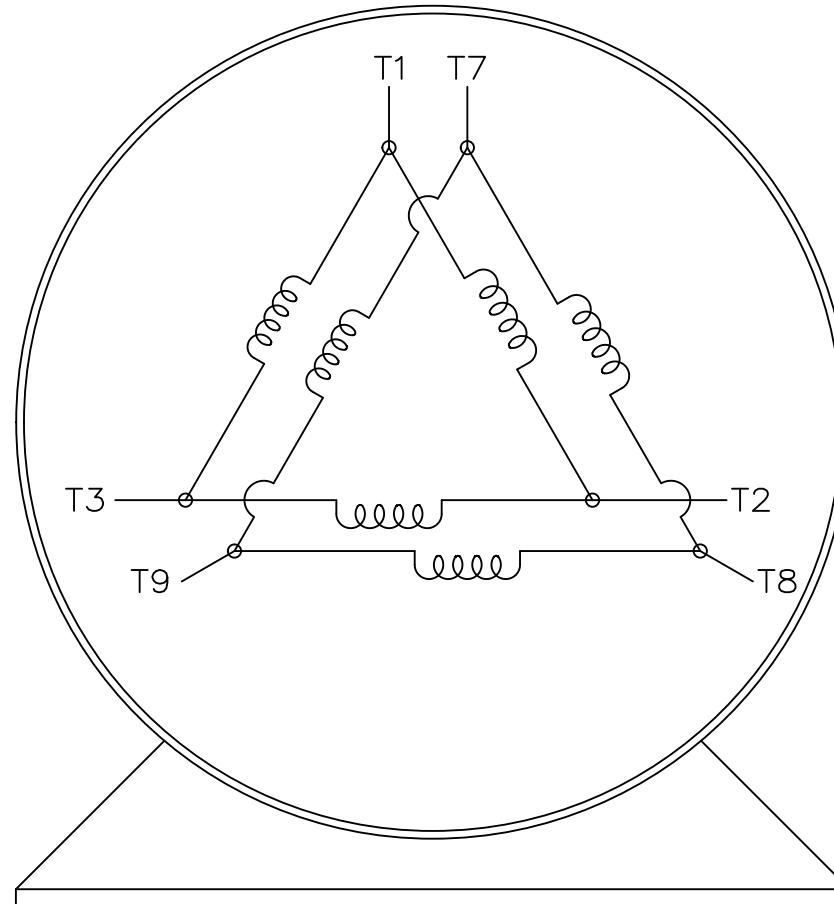
THREE PHASE – PART WINDING START  
DELTA – 6 LEADS

START

CONNECT T1 TO LINE 1  
CONNECT T2 TO LINE 2  
CONNECT T3 TO LINE 3  
T7-T8-T9 OPEN

RUN

CONNECT T1&T7 TO LINE 1  
CONNECT T2&T8 TO LINE 2  
CONNECT T3&T9 TO LINE 3



VIEW OF TERMINAL END

IF MOTOR HAS 2 T'S

START

CONNECT T1,T1 TO LINE 1  
CONNECT T2,T2 TO LINE 2  
CONNECT T3,T3 TO LINE 3  
T7,T7-T8,T8-T9,T9 OPEN

RUN

CONNECT T1,T1&T7,T7 TO LINE 1  
CONNECT T2,T2&T8,T8 TO LINE 2  
CONNECT T3,T3&T9,T9 TO LINE 3

|  |                                      | TOLERANCES UNLESS SPECIFIED |        | REGAL REGAL-BELOIT CORPORATION |     | DRAWN              | BLR                      | 03-09-1998 |
|--|--------------------------------------|-----------------------------|--------|--------------------------------|-----|--------------------|--------------------------|------------|
|  |                                      | DEC.                        | INCHES |                                |     | CHK                | ML                       | 03-23-1998 |
|  |                                      | .X                          | ± -    |                                |     | APPD               | GK                       | 03-23-1998 |
|  |                                      | .XX                         | ± -    | TITLE                          |     | SCALE 1=1          |                          |            |
| E  | NOTE ADDED FOR 2 T'S                 | NAR 17-12-2020              | RC     | .XXX                           | ± - | CONNECTION DIAGRAM |                          | REF        |
| D  | RE-DRAWN WITH REGAL LOGO ECO-0110493 | WGJ 09-30-2016              | EMH    | .XXXX                          | ± - | 3ø - 6 LEADS       |                          | FMF        |
| NO.  | REVISION                             | BY & DATE                   | CHK    | ANG                            | ± - | FINISH             |                          | PREV       |
| THIS DRAWING IN DESIGN AND DETAIL IS OUR PROPERTY AND MUST NOT BE USED EXCEPT IN CONNECTION WITH OUR WORK ALL RIGHTS OF DESIGN AND INVENTION ARE RESERVED THIS IS AN ELECTRONICALLY GENERATED DOCUMENT - DO NOT SCALE THIS PRINT |                                      |                             | RFP    | CAD FILE EE7341C               |     | SIZE               | DRAWING NO. PAGE OF REV. |            |
|  |                                      |                             | DIST   |                                |     | A                  | EE7341C                  | E          |



**P.O. BOX 8003  
WAUSAU, WI 54401-8003  
PH. 715-675-3311**

**CERTIFICATION DATA SHEET**

**CUSTOMER:**

**CUSTOMER**

**ORDER #:**

**PO#:**

**CONN. DIAGRAM:** EE7341C

**MODEL #:** 405TTDCD6060 BB

**CUSTOMER PART**

**OUTLINE:** SS620754-405T

**#:**

**WINDING #:** HE32504009 1

**MOUNTING:** F1/F2 CAPABLE

**TYPICAL MOTOR PERFORMANCE DATA**

| HP      | kW        | SYNC. RPM | F.L. RPM  | FRAME | ENCLOSURE | KVA CODE | DESIGN |
|---------|-----------|-----------|-----------|-------|-----------|----------|--------|
| 125&100 | 93.0&75.0 | 1800      | 1785&1485 | 405T  | DP        | G        | B      |

| PH | Hz    | VOLTS   | AMPS    | START TYPE      | DUTY       | INSL | S.F.      | AMB°C |
|----|-------|---------|---------|-----------------|------------|------|-----------|-------|
| 3  | 60/50 | 460&380 | 142&138 | PWS OR INVERTER | CONTINUOUS | F7   | 1.15/1.15 | 40    |

| FULL LOAD EFF: | 95.4&95   | 3/4 LOAD EFF: | 95.4 | 1/2 LOAD EFF: | 95 | GTD. EFF | 95 | ELEC. TYPE | SQ CAGE INV RATED |
|----------------|-----------|---------------|------|---------------|----|----------|----|------------|-------------------|
| FULL LOAD PF:  | 86.5&86.5 | 3/4 LOAD PF:  | 83.8 | 1/2 LOAD PF:  | 76 | 95       |    |            |                   |

| F.L. TORQUE | LOCKED ROTOR AMPS | L.R. TORQUE     | B.D. TORQUE     | F.L. RISE°C |
|-------------|-------------------|-----------------|-----------------|-------------|
| 368 LB-FT   | 900               | 699 LB-FT 190 % | 920 LB-FT 250 % | 40          |

| SOUND PRESSURE @ 3 FT. | SOUND POWER | ROTOR WK^2 | MAX. WK^2   | SAFE STALL TIME | STARTS / HOUR | APPROX. MOTOR WGT |
|------------------------|-------------|------------|-------------|-----------------|---------------|-------------------|
| 78 dBA                 | 88 dBA      | 35 LB-FT^2 | 650 LB-FT^2 | 20 SEC.         | 2             | 1303 LBS.         |

**\*\*\* SUPPLEMENTAL INFORMATION \*\*\***

| DE BRACKET TYPE | ODE BRACKET TYPE | MOUNT TYPE | ORIENTATION | SEVERE DUTY | HAZARDOUS LOCATION | DRIP COVER | SCREENS | PAINT         |
|-----------------|------------------|------------|-------------|-------------|--------------------|------------|---------|---------------|
| STANDARD        | STANDARD         | RIGID      | HORIZONTAL  | FALSE       | NONE               | FALSE      | NONE    | BLUE (ENAMEL) |

| BEARINGS |      | GREASE     | SHAFT TYPE | SPECIAL DE | SPECIAL ODE | SHAFT MATERIAL          | FRAME MATERIAL |
|----------|------|------------|------------|------------|-------------|-------------------------|----------------|
| DE       | ODE  |            |            |            |             |                         |                |
| BALL     | BALL | POLYREX EM | T          | NONE       | NONE        | 1045 HOT ROLLED (C-204) | CAST IRON      |
| 6316     | 6315 |            |            |            |             |                         |                |

| THERMO-PROTECTORS |            |          |          | THERMISTORS | CONTROL | SPACE HEATERS |
|-------------------|------------|----------|----------|-------------|---------|---------------|
| THERMOSTATS       | PROTECTORS | WDG RTDs | BRG RTDs |             |         |               |
| NONE              | NOT        | NONE     | NONE     | NONE        | FALSE   | NONE VOLTS    |

\*  
N  
O  
T  
E  
S  
\*

|  |
|--|
| <b>INVERTER</b><br><b>TORQUE:</b> CONSTANT 2:1/VARIABLE 10:1                       |
| <b>INV. HP SPEED RANGE:</b> NONE   |
| <b>ENCODER:</b> NONE<br>NONE NONE<br>NONE NONE PPR                                 |
| <b>BRAKE:</b> NONE NONE<br>NONE P/N NONE<br>NONE NONE<br>NONE FT-LB NONE V NONE Hz |

**PREPARED BY:** Anusha Muthyala  
**DATE:** 09/24/2019 01:42:38 AM  
FORM 3531 REV.3 02/07/99  
\*\* Subject to change without notice.

Data Sheet

Date: 12/1/2021  
 Customer: \_\_\_\_\_  
 Attention: \_\_\_\_\_  
 Submitted by: \_\_\_\_\_



405TTDCD6060

Submittal

Data @ 460 V

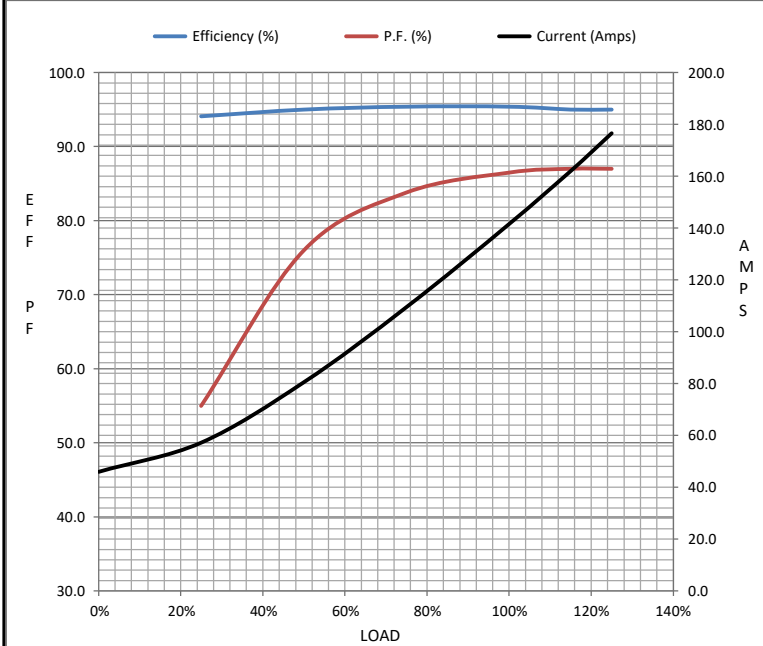
Motor Load Data

| Load           | 0%   | 25%  | 50%  | 75%  | 100% | 115%  | 125% | LR   |
|----------------|------|------|------|------|------|-------|------|------|
| Current (Amps) | 46.0 | 57.2 | 80.5 | 110  | 142  | 162   | 177  | 907  |
| Torque (ft-lb) | 0.00 | 91.5 | 183  | 275  | 368  | 423   | 460  | 790  |
| RPM            | 1800 | 1796 | 1794 | 1790 | 1785 | 1,782 | 1780 | 0    |
| Efficiency (%) |      | 94.1 | 95.0 | 95.4 | 95.4 | 95.0  | 95.0 |      |
| P.F. (%)       | 4.5  | 55.0 | 76.0 | 83.8 | 86.5 | 87.0  | 87.0 | 33.0 |

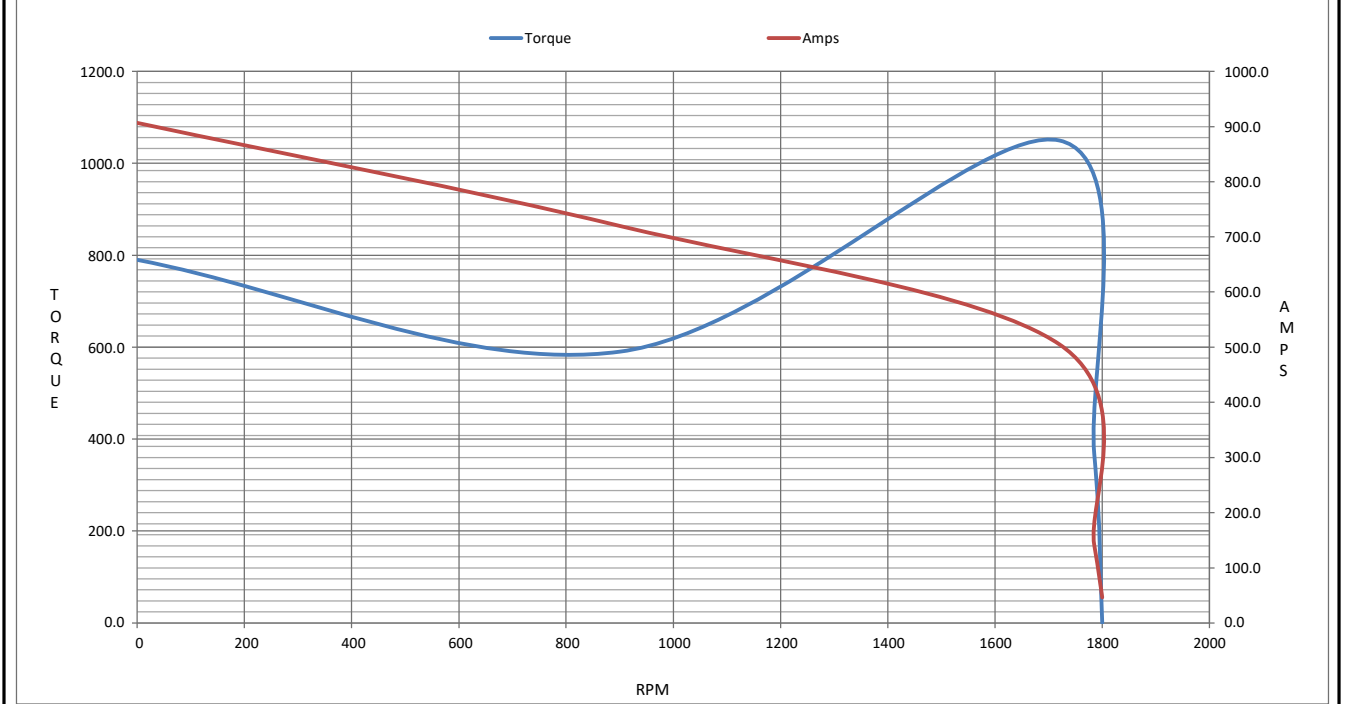
Motor Speed Data

|                | LR  | Pull-Up | BD    | Rated | Idle |
|----------------|-----|---------|-------|-------|------|
| Speed (RPM)    | 0   | 900     | 1720  | 1785  | 1800 |
| Current (Amps) | 907 | 720     | 505   | 142   | 46.0 |
| Torque (ft-lb) | 790 | 590     | 1,050 | 368   | 0.00 |

| Information Block           |                        |        |        |        |
|-----------------------------|------------------------|--------|--------|--------|
| HP                          | 125.0                  |        |        |        |
| Sync. RPM                   | 1800                   |        |        |        |
| Frame                       | 405                    |        |        |        |
| Enclosure                   | DP                     |        |        |        |
| Construction                | TDC                    |        |        |        |
| Voltage                     | 460#380 V              |        |        |        |
| Frequency                   | 60 Hz                  |        |        |        |
| Design                      | B                      |        |        |        |
| LR Code letter              | G                      |        |        |        |
| Service Factor              | 1.15                   |        |        |        |
| Temp Rise @ FL              | 35 ° C                 |        |        |        |
| Duty                        | CONT                   |        |        |        |
| Ambient                     | 40 ° C                 |        |        |        |
| Elevation                   | 3,300 feet             |        |        |        |
| Rotor/Shaft wk <sup>2</sup> | 35.0 Lb-F <sup>2</sup> |        |        |        |
| Ref Wdg                     | HA32504009 NONE        |        |        |        |
| Sound Pressure @ 1M         | 78 dBA                 |        |        |        |
| VFD Rating                  | VARIABLE 20:1          |        |        |        |
| Outline Dwg                 | SS620754-200           |        |        |        |
| Conn. Diag                  | EE7341C                |        |        |        |
| Additional Specifications:  |                        |        |        |        |
| 0                           |                        |        |        |        |
| 0                           |                        |        |        |        |
| EQUIV CKT (OHMS / PHASE)    |                        |        |        |        |
| R1                          | R2                     | X1     | X2     | Xm     |
| 0.0250                      | 0.0170                 | 0.1480 | 0.2720 | 5.6750 |



Speed - Torque Curve



## EC Declaration of Conformity

The undersigned representing  
the manufacturer:

Regal Beloit America  
100 East Randolph St.  
Wausau, WI 54401

and the authorized representative  
established within the Community:

Marathon Electric UK  
6F Thistleton Road Ind. Estate  
Market Overton  
Oakham, Rutland LE15 7PP UK

are committed to providing customers with products that comply with applicable regulations and international protocols to which they are subject, including the requirements of the European Parliament Directive on the Harmonization of the laws relating to electrical equipment designed for use within certain voltage limits (2014/35/EU).

Regal Beloit America declares that the following product(s), to which this declaration relates, are in conformity with the relevant sections of the EC standards listed below.

This statement supersedes any statements previously issued pertaining to the product(s) listed below and is subject to change without notice.

Model No : 405TTDCD6060

(Model No. may contain prefix and/or suffix characters)

Catalog No : GT0049A

Rework No : N/A

Directives :

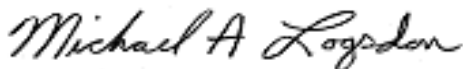
Low Voltage Directive 2014/35/EU

Harmonized Standards Used :

EN 60034-1: 2010 (IEC 60034-1: 2010)

EN 60034-5: 2001/A1:2007 (IEC 60034-5: 2000/A1:2006)

Authorized Representative:



Michael A. Logsdon  
Vice President, Technology

Authorized Representative in the Community:



Julian Clark  
Marketing Engineer

Created on 09/01/2022

**CE 22**