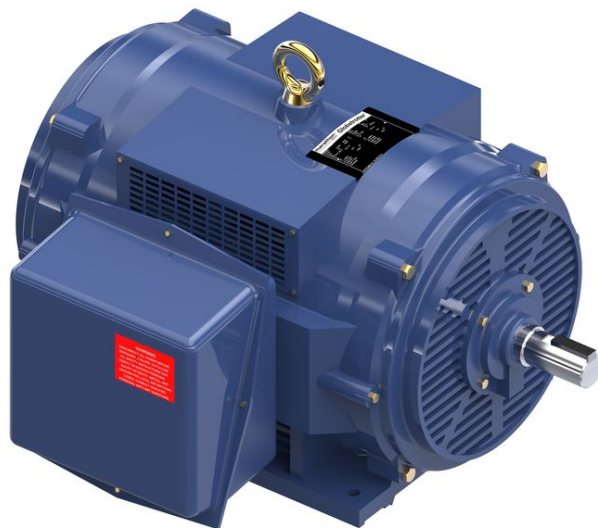


# PRODUCT INFORMATION PACKET

Model No: 444TSTDCD6003

Catalog No: GT0054A

General Purpose Motor, 200 HP, 3 Ph, 60 Hz, 460 V, 3600 RPM, 444TS Frame, DP



Regal and are trademarks of Regal Rexnord Corporation or one of its affiliated companies.  
©2022 Regal Rexnord Corporation, All Rights Reserved. MC017097E

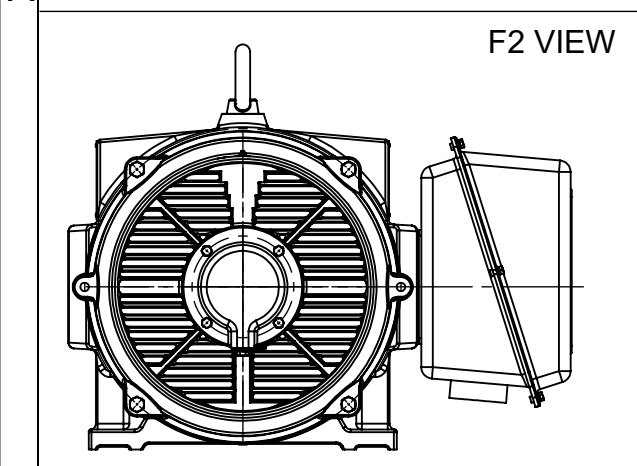
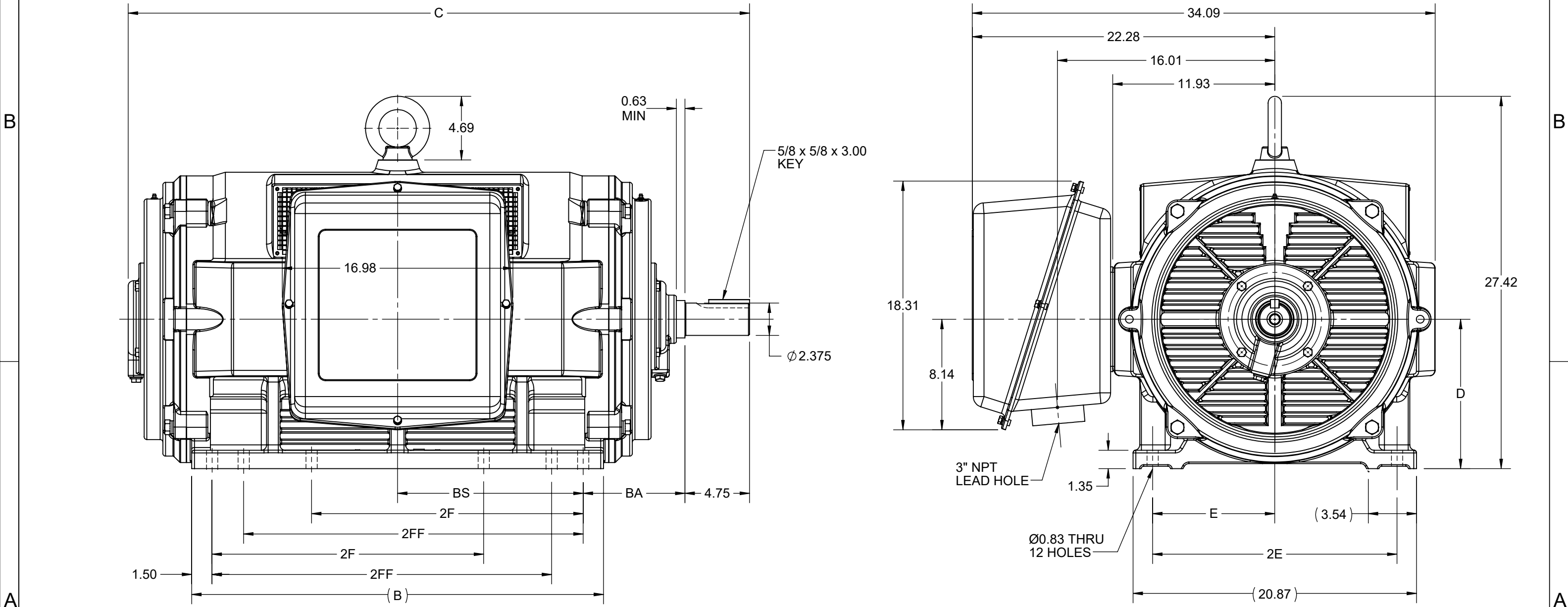
**Nameplate Specifications**

Output HP	<b>200 Hp</b>	Output KW	<b>149.0 kW</b>
Frequency	<b>60 Hz</b>	Voltage	<b>460 V</b>
Current	<b>215.0 A</b>	Speed	<b>3582 rpm</b>
Service Factor	<b>1.15</b>	Phase	<b>3</b>
Efficiency	<b>95 %</b>	Power Factor	<b>91.5</b>
Duty	<b>Continuous</b>	Insulation Class	<b>F</b>
Design Code	<b>B</b>	KVA Code	<b>G</b>
Frame	<b>444TS</b>	Enclosure	<b>Drip Proof</b>
Thermal Protection	<b>No Protection</b>	Ambient Temperature	<b>40 °C</b>
Drive End Bearing Size	<b>6314</b>	Opp Drive End Bearing Size	<b>6314</b>
UL	<b>Recognized</b>	CSA	<b>Y</b>
CE	<b>Y</b>	IP Code	<b>22</b>
Number of Speeds	<b>1</b>		

**Technical Specifications**

Electrical Type	<b>Squirrel Cage Inverter Rated</b>	Starting Method	<b>Part Wdg Start Or Inverter</b>
Poles	<b>2</b>	Rotation	<b>Reversible</b>
Resistance Main	<b>.019 Ohms</b>	Mounting	<b>Rigid Base</b>
Motor Orientation	<b>Horizontal</b>	Drive End Bearing	<b>Ball</b>
Opp Drive End Bearing	<b>Ball</b>	Frame Material	<b>Cast Iron</b>
Shaft Type	<b>TS</b>	Overall Length	<b>40.83 in</b>
Shaft Diameter	<b>2.375 in</b>	Shaft Extension	<b>4.75 in</b>
Assembly/Box Mounting	<b>F1/F2 CAPABLE</b>	Inverter Load	<b>VARIABLE 10:1</b>
Connection Drawing	<b>EE7341C</b>	Outline Drawing	<b>SS620756-100</b>

DASH NO.	4		3				2		1		
	B	C	D	E	2E	2F	2FF	BA	BS	MOUNTING	FRAME
100	25.20	40.64	11.00	9.00	18.00	14.50	16.50	7.50	11.10	F1 OR F2	444/445TS
200	30.31	45.76				20.00	25.00		13.66		447/449TS



DRAWING REVISION C	REVISION BY GOPI J	REV DATE/© DATE 09/02/2022
REQUEST NUMBER CR-0006851	APPROVED BY SBD	DATE 09/02/2022
REQUEST NUMBER DESCRIPTION VIEWS UPDATED AS PER 3D		
<small>COPYRIGHT (PER REVISION DATE) REGAL BELOIT AMERICA, INC. ALL RIGHTS RESERVED. PROPRIETARY AND CONFIDENTIAL INFORMATION - THIS DOCUMENT IS THE PROPERTY OF REGAL BELOIT AMERICA, INC. ("OWNER") AND CONTAINS OWNER'S PROPRIETARY INFORMATION. ANY PERSON, CORPORATION OR OTHER FIRM RECEIVING IT IS DEEMED, BY RECEIVING IT, TO AGREE THAT IT, AND/OR ANY PART OF IT, SHALL NOT BE DISCLOSED TO ANY PERSON, CORPORATION OR OTHER ENTITY, DUPLICATED, AND/OR USED, EXCEPT AS EXPRESSLY APPROVED IN WRITING IN ADVANCE BY OWNER. THIS DOCUMENT SHALL BE RETURNED TO OWNER UPON REQUEST. IT MAY BE SUBJECT TO CERTAIN RESTRICTIONS UNDER APPLICABLE EXPORT CONTROL LAWS AND REGULATIONS.</small>		

PRIMARY DIMENSIONS ARE INCH  
mm DIMENSIONS IN [BRACKETS]  
ARE FOR REFERENCE ONLY

DRAWN BY ZXW		Regal Beloit America, Inc.	
DATE 21/07/2016		DESCRIPTION	
APPROVED BY	<p style="text-align: center;"><b>OUTLINE</b></p> <p style="text-align: center;">444/445/447/449TS FR NEMA ODP CAST IRON</p>		
DATE	MATERIAL	PROCESS/FINISH	
REFERENCE	SIZE B	DRAWING NUMBER SS620756	SHEET 1 OF 1

EE7341C

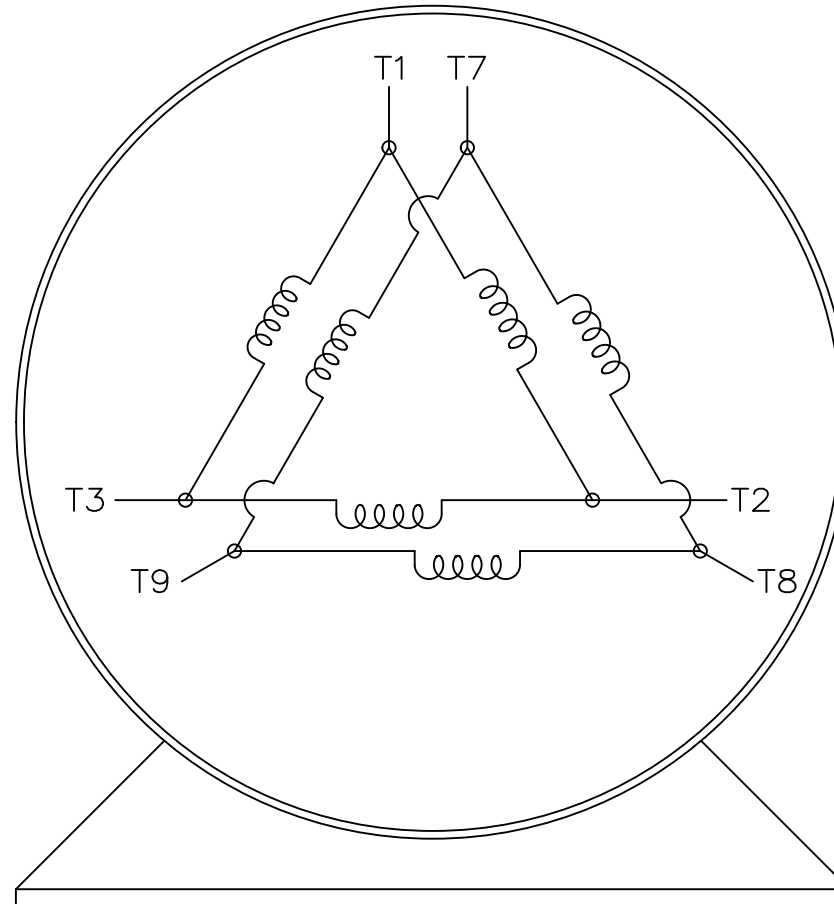
THREE PHASE – PART WINDING START  
DELTA – 6 LEADS

START

CONNECT T1 TO LINE 1  
CONNECT T2 TO LINE 2  
CONNECT T3 TO LINE 3  
T7-T8-T9 OPEN

RUN

CONNECT T1&T7 TO LINE 1  
CONNECT T2&T8 TO LINE 2  
CONNECT T3&T9 TO LINE 3



VIEW OF TERMINAL END

IF MOTOR HAS 2 T'S

START

CONNECT T1,T1 TO LINE 1  
CONNECT T2,T2 TO LINE 2  
CONNECT T3,T3 TO LINE 3  
T7,T7-T8,T8-T9,T9 OPEN

RUN

CONNECT T1,T1&T7,T7 TO LINE 1  
CONNECT T2,T2&T8,T8 TO LINE 2  
CONNECT T3,T3&T9,T9 TO LINE 3

		TOLERANCES UNLESS SPECIFIED		REGAL REGAL-BELOIT CORPORATION		DRAWN	BLR	03-09-1998		
		DEC.	INCHES			CHK	ML	03-23-1998		
		.X	± -	TITLE		APPD	GK	03-23-1998		
		.XX	± -	CONNECTION DIAGRAM		SCALE 1=1				
		.XXX	± -	3ø - 6 LEADS		REF				
E		NAR 17-12-2020	RC	.XXX	± -	MAT'L				
D		RE-DRAWN WITH REGAL LOGO ECO-0110493	WGJ 09-30-2016	EMH	.XXXX	± -	FINISH			
NO.	REVISION	BY & DATE	CHK	ANG	± -	PREV				
THIS DRAWING IN DESIGN AND DETAIL IS OUR PROPERTY AND MUST NOT BE USED EXCEPT IN CONNECTION WITH OUR WORK ALL RIGHTS OF DESIGN AND INVENTION ARE RESERVED THIS IS AN ELECTRONICALLY GENERATED DOCUMENT - DO NOT SCALE THIS PRINT				RFP	CAD FILE EE7341C		SIZE	DRAWING NO.	PAGE OF	REV.
				DIST			A	EE7341C		E

**CERTIFICATION DATA SHEET**

**Model#:** 444TSTD6003 AA      **WINDING#:** HE32802013 NONE 1  
**CONN. DIAGRAM:** EE7341C      **ASSEMBLY:** F1/F2 CAPABLE  
**OUTLINE:** SS620756

**TYPICAL MOTOR PERFORMANCE DATA**

HP	KW	SYNC. RPM	F.L. RPM	FRAME	ENCLOSURE	KVA CODE	DESIGN
200&150	149&112	3600	3582&2982	444TS	DP	G	B

PH	Hz	VOLTS	FL AMPS	START TYPE	DUTY	INSL	S.F	AMB°C	ELEVATION
3	60/50	460#380	215&197	PWS OR INVERTER	CONTINUOUS	F7	1.15/1.15	40	3300

FULL LOAD EFF: 95&95	3/4 LOAD EFF: 95	1/2 LOAD EFF: 94.5	GTD. EFF	ELEC. TYPE	NO LOAD AMPS
FULL LOAD PF: 91&90.5	3/4 LOAD PF: 89	1/2 LOAD PF: 84	94.5	SQ CAGE INV RATED	56.5

F.L. TORQUE	LOCKED ROTOR AMPS	L.R. TORQUE	B.D. TORQUE	F.L. RISE°C
294 LB-FT	1450	557 LB-FT 190	733 LB-FT 250	50

SOUND PRESSURE @ 3 FT.	SOUND POWER	ROTOR WK^2	MAX. WK^2	SAFE STALL TIME	STARTS /HOUR	APPROX. MOTOR WGT
86 dBA	96 dBA	40 LB-FT^2	160 LB-FT^2	15 SEC.	2	1800 LBS.

**\*\*\* SUPPLEMENTAL INFORMATION \*\*\***

DE BRACKET TYPE	ODE BRACKET TYPE	MOUNT TYPE	ORIENTATION	SEVERE DUTY	HAZARDOUS LOCATION	DRIP COVER	SCREENS	PAINT
STANDARD	STANDARD	RIGID	HORIZONTAL	FALSE	NONE	FALSE	NONE	BLUE (ENAMEL)

BEARINGS		GREASE	SHAFT TYPE	SPECIAL DE	SPECIAL ODE	SHAFT MATERIAL	FRAME MATERIAL
DE	OPE						
BALL	BALL	POLYREX EM	TS	NONE	NONE	1045 HOT ROLLED (C-204)	CAST IRON
6314	6314						

THERMO-PROTECTORS				THERMISTORS	CONTROL	SPACE /n HEATERS
THERMOSTATS	PROTECTORS	WDG RTDs	BRG RTDs			
NONE	NOT	NONE	NONE	NONE	FALSE	NONE VOLTS

If Inverter equals NONE, contact factory for further information

INVERTER TORQUE: VARIABLE 10:1
INV. HP SPEED RANGE: NONE
ENCODER: NONE
NONE NONE
NONE NONE PPR
BRAKE: NONE NONE
NONE P/N NONE
NONE NONE
NONE FT-LB NONE V NONE Hz

\*  
N  
O  
T  
E  
S  
\*

DATE: 07/03/2017 02:23:06 AM  
 FORM 3531 REV.3 02/07/99  
 \*\* Subject to change without notice.

Data Sheet

Date: 12/1/2021  
 Customer: \_\_\_\_\_  
 Attention: \_\_\_\_\_  
 Submitted by: \_\_\_\_\_



444TSTD6003

Submittal

Data @ 460 V

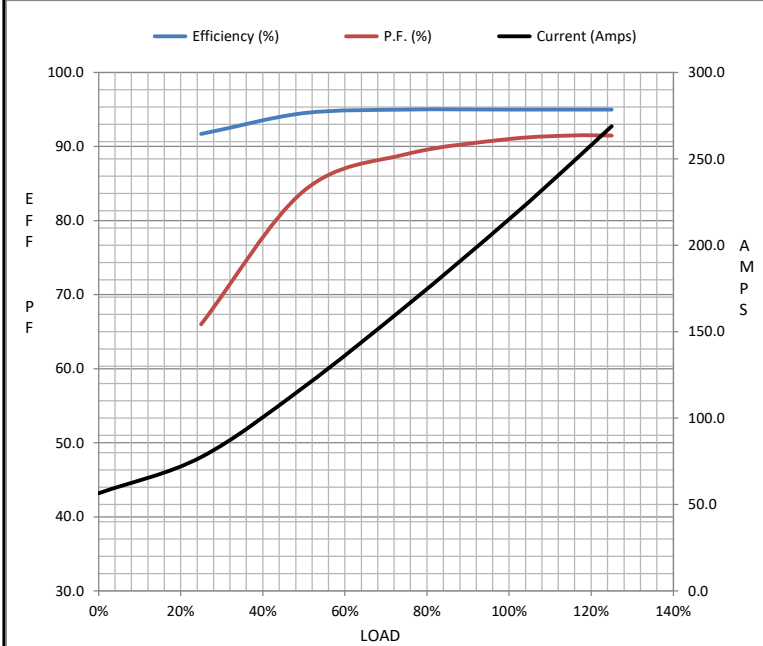
Motor Load Data

Load	0%	25%	50%	75%	100%	115%	125%	LR
Current (Amps)	56.5	77.5	118	165	215	247	269	1,450
Torque (ft-lb)	0.00	73.0	146	220	294	338	367	557
RPM	3600	3595	3590	3588	3582	3,578	3575	0
Efficiency (%)		91.7	94.5	95.0	95.0	95.0	95.0	
P.F. (%)	7.5	66.0	84.0	89.0	91.0	91.5	91.5	29.0

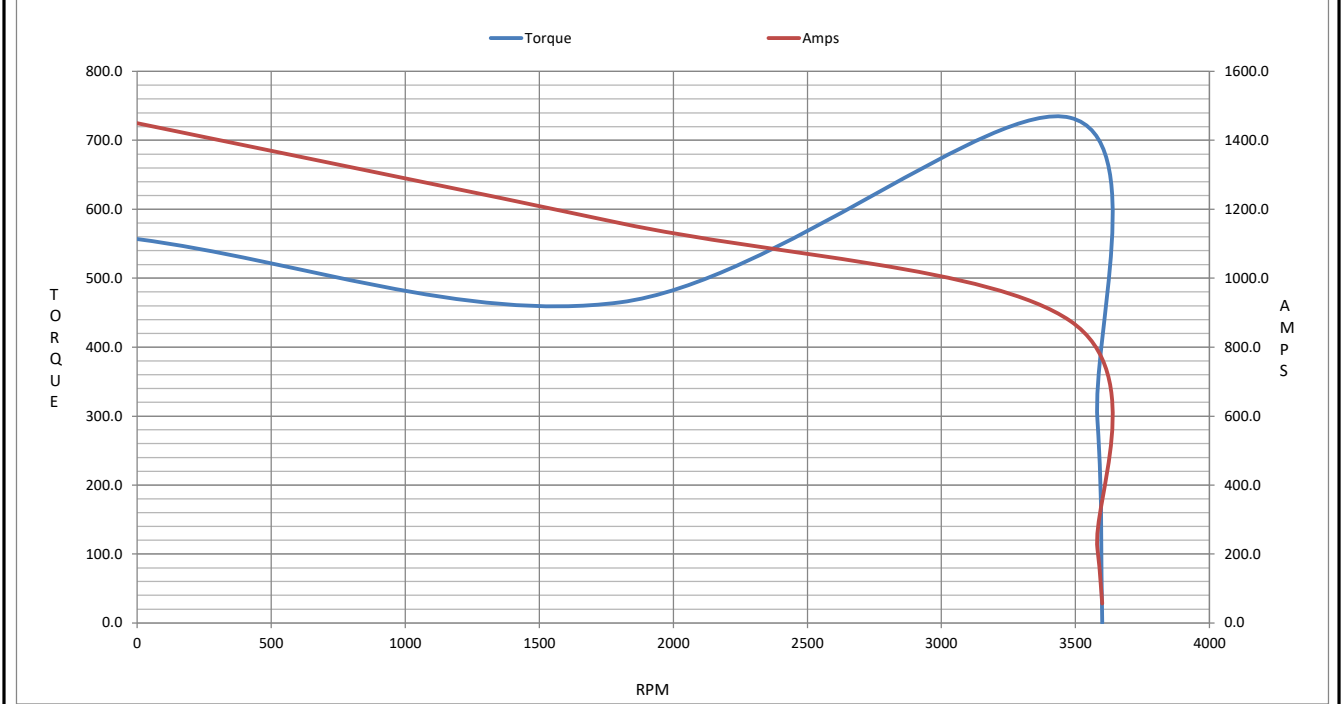
Motor Speed Data

	LR	Pull-Up	BD	Rated	Idle
Speed (RPM)	0	1800	3480	3582	3600
Current (Amps)	1,450	1,160	876	215	56.5
Torque (ft-lb)	557	465	733	294	0.00

Information Block				
HP	200.0			
Sync. RPM	3600			
Frame	444			
Enclosure	DP			
Construction	TDC			
Voltage	460#380 V			
Frequency	60 Hz			
Design	B			
LR Code letter	G			
Service Factor	1.15			
Temp Rise @ FL	50 ° C			
Duty	CONT			
Ambient	40 ° C			
Elevation	3,300 feet			
Rotor/Shaft wk <sup>2</sup>	40.0 Lb-F <sup>2</sup>			
Ref Wdg	HA32802013 NONE			
Sound Pressure @ 1M	86 dBA			
VFD Rating	VARIABLE 20:1			
Outline Dwg	SS620756-100			
Conn. Diag	EE7341C			
Additional Specifications:				
0				
0				
EQUIV CKT (OHMS / PHASE)				
R1	R2	X1	X2	Xm
0.0120	0.0060	0.0990	0.1280	4.6860



Speed - Torque Curve



## EC Declaration of Conformity

The undersigned representing  
the manufacturer:

Regal Beloit America  
100 East Randolph St.  
Wausau, WI 54401

and the authorized representative  
established within the Community:

Marathon Electric UK  
6F Thistleton Road Ind. Estate  
Market Overton  
Oakham, Rutland LE15 7PP UK

are committed to providing customers with products that comply with applicable regulations and international protocols to which they are subject, including the requirements of the European Parliament Directive on the Harmonization of the laws relating to electrical equipment designed for use within certain voltage limits (2014/35/EU).

Regal Beloit America declares that the following product(s), to which this declaration relates, are in conformity with the relevant sections of the EC standards listed below.

This statement supersedes any statements previously issued pertaining to the product(s) listed below and is subject to change without notice.

Model No : 444TSTDCD6003

(Model No. may contain prefix and/or suffix characters)

Catalog No : GT0054A

Rework No : N/A

Directives :

Low Voltage Directive 2014/35/EU

Harmonized Standards Used :

EN 60034-1: 2010 (IEC 60034-1: 2010)

EN 60034-5: 2001/A1:2007 (IEC 60034-5: 2000/A1:2006)

Authorized Representative:



Michael A. Logsdon  
Vice President, Technology

Authorized Representative in the Community:



Julian Clark  
Marketing Engineer

Created on 09/01/2022

**CE 22**