

PRODUCT INFORMATION PACKET

Model No: 445TSTDCD6060

Catalog No: GT0090

Globetrotter® General Purpose Motor, 200 HP, 3 Ph, 60 Hz, 460 V, 1800 RPM, 445TS Frame, DP



Regal and Marathon are trademarks of Regal Rexnord Corporation or one of its affiliated companies.

©2022 Regal Rexnord Corporation, All Rights Reserved. MC017097E



Nameplate Specifications

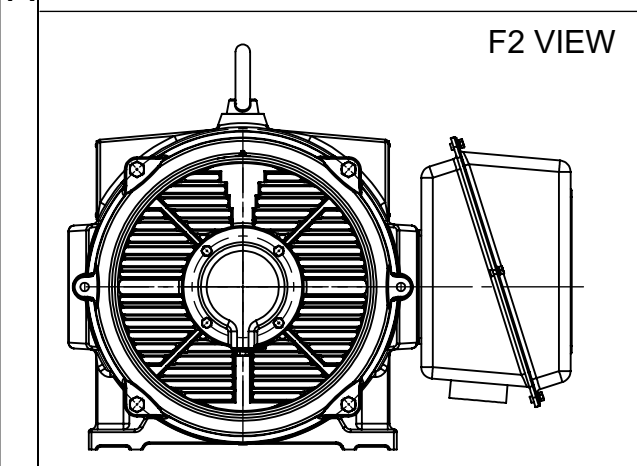
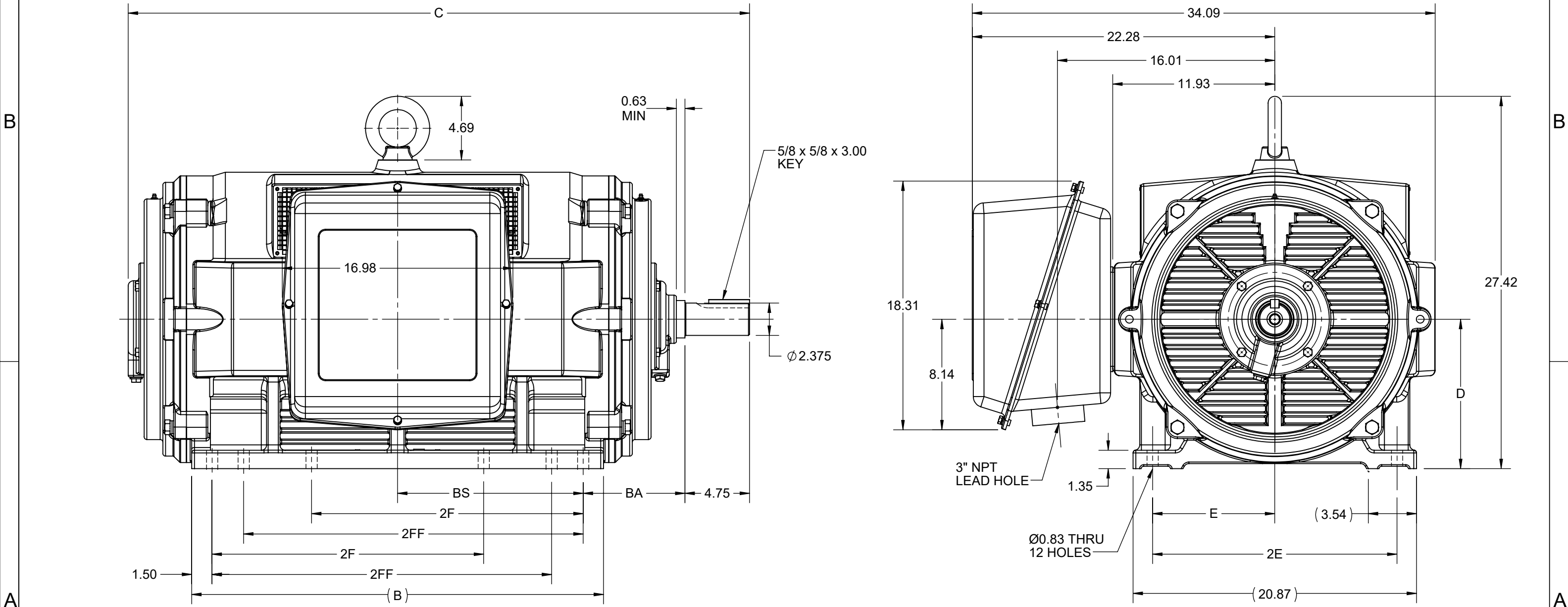
Output HP	200 Hp	Output KW	149.0 kW
Frequency	60 Hz	Voltage	460 V
Current	223.0 A	Speed	1790 rpm
Service Factor	1.15	Phase	3
Efficiency	95.8 %	Power Factor	87.5
Duty	Continuous	Insulation Class	F
Design Code	B	KVA Code	G
Frame	445TS	Enclosure	Drip Proof
Thermal Protection	No Protection	Ambient Temperature	40 °C
Drive End Bearing Size	6319	Opp Drive End Bearing Size	6317
UL	Recognized	CSA	Y
CE	Y	IP Code	22
Number of Speeds	1		

Technical Specifications

Electrical Type	Squirrel Cage Inverter Rated	Starting Method	Part Wdg Start Or Inverter
Poles	4	Rotation	Reversible
Resistance Main	.019 Ohms	Mounting	Rigid Base
Motor Orientation	Horizontal	Drive End Bearing	Ball
Opp Drive End Bearing	Ball	Frame Material	Cast Iron
Shaft Type	TS	Overall Length	40.83 in
Frame Length	25.98 in	Shaft Diameter	2.375 in
Shaft Extension	4.75 in	Assembly/Box Mounting	F1/F2 CAPABLE
Inverter Load	VARIABLE 10:1		
Connection Drawing	EE7341C	Outline Drawing	SS620756-100

This is an uncontrolled document once printed or downloaded and is subject to change without notice. Date Created:11/28/2022

DASH NO.	4		3				2		1		
	B	C	D	E	2E	2F	2FF	BA	BS	MOUNTING	FRAME
100	25.20	40.64	11.00	9.00	18.00	14.50	16.50	7.50	11.10	F1 OR F2	444/445TS
200	30.31	45.76				20.00	25.00		13.66		447/449TS



DRAWING REVISION C	REVISION BY GOPI J	REV DATE/© DATE 09/02/2022	DRAWN BY ZXW	Regal Beloit America, Inc.
REQUEST NUMBER CR-0006851	APPROVED BY SBD	DATE 09/02/2022	DATE 21/07/2016	
REQUEST NUMBER DESCRIPTION VIEWS UPDATED AS PER 3D			APPROVED BY	DESCRIPTION OUTLINE
COPYRIGHT (PER REVISION DATE) REGAL BELOIT AMERICA, INC. ALL RIGHTS RESERVED. PROPRIETARY AND CONFIDENTIAL INFORMATION - THIS DOCUMENT IS THE PROPERTY OF REGAL BELOIT AMERICA, INC. ("OWNER") AND CONTAINS OWNER'S PROPRIETARY INFORMATION. ANY PERSON, CORPORATION OR OTHER FIRM RECEIVING IT IS DEEMED, BY RECEIVING IT, TO AGREE THAT IT, AND/OR ANY PART OF IT, SHALL NOT BE DISCLOSED TO ANY PERSON, CORPORATION OR OTHER ENTITY, DUPLICATED, AND/OR USED, EXCEPT AS EXPRESSLY APPROVED IN WRITING IN ADVANCE BY OWNER. THIS DOCUMENT SHALL BE RETURNED TO OWNER UPON REQUEST. IT MAY BE SUBJECT TO CERTAIN RESTRICTIONS UNDER APPLICABLE EXPORT CONTROL LAWS AND REGULATIONS.			DATE	444/445/447/449TS FR NEMA ODP CAST IRON
			REFERENCE	MATERIAL
PRIMARY DIMENSIONS ARE INCH mm DIMENSIONS IN [BRACKETS] ARE FOR REFERENCE ONLY			THIRD ANGLE PROJECTION	SIZE B
			DRAWING NUMBER SS620756	

EE7341C

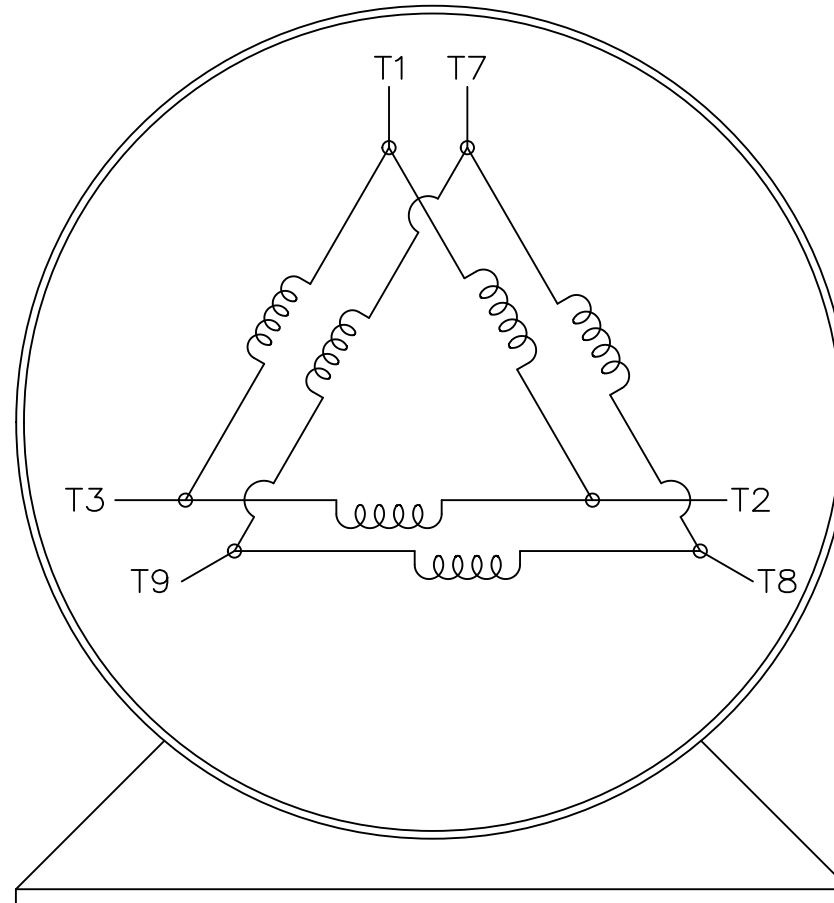
THREE PHASE – PART WINDING START
DELTA – 6 LEADS

START

CONNECT T1 TO LINE 1
CONNECT T2 TO LINE 2
CONNECT T3 TO LINE 3
T7-T8-T9 OPEN

RUN

CONNECT T1&T7 TO LINE 1
CONNECT T2&T8 TO LINE 2
CONNECT T3&T9 TO LINE 3



VIEW OF TERMINAL END

IF MOTOR HAS 2 T'S

START

CONNECT T1,T1 TO LINE 1
CONNECT T2,T2 TO LINE 2
CONNECT T3,T3 TO LINE 3
T7,T7-T8,T8-T9,T9 OPEN

RUN

CONNECT T1,T1&T7,T7 TO LINE 1
CONNECT T2,T2&T8,T8 TO LINE 2
CONNECT T3,T3&T9,T9 TO LINE 3

		TOLERANCES UNLESS SPECIFIED		REGAL REGAL-BELOIT CORPORATION		DRAWN	BLR	03-09-1998
		DEC.	INCHES			CHK	ML	03-23-1998
		.X	± -			APPD	GK	03-23-1998
		.XX	± -	TITLE		SCALE 1=1		
E	NOTE ADDED FOR 2 T'S	NAR 17-12-2020	RC	.XXX	± -	CONNECTION DIAGRAM		REF
D	RE-DRAWN WITH REGAL LOGO ECO-0110493	WGJ 09-30-2016	EMH	.XXXX	± -	3ø - 6 LEADS		FMF
NO.	REVISION	BY & DATE	CHK	ANG	± -	FINISH		PREV
THIS DRAWING IN DESIGN AND DETAIL IS OUR PROPERTY AND MUST NOT BE USED EXCEPT IN CONNECTION WITH OUR WORK ALL RIGHTS OF DESIGN AND INVENTION ARE RESERVED THIS IS AN ELECTRONICALLY GENERATED DOCUMENT - DO NOT SCALE THIS PRINT			RFP	CAD FILE EE7341C		SIZE	DRAWING NO. PAGE OF REV.	
			DIST			A	EE7341C	E



**P.O. BOX 8003
WAUSAU, WI 54401-8003
PH. 715-675-3311**

CERTIFICATION DATA SHEET

CUSTOMER:

CUSTOMER PO#:

ORDER #:

MODEL #: 445TSTD6060 AA

CONN. DIAGRAM: EE7341C

CUSTOMER PART

#:

OUTLINE: SS620756

MOUNTING: F1/F2 CAPABLE

WINDING #: HE32804016 1

TYPICAL MOTOR PERFORMANCE DATA

HP	kW	SYNC. RPM	F.L. RPM	FRAME	ENCLOSURE	KVA CODE	DESIGN
200&150	149&112	1800	1790&1490	445TS	DP	G	B

PH	Hz	VOLTS	AMPS	START TYPE	DUTY	INSL	S.F.	AMB°C
3	60/50	460&380	223&203	PWS OR INVERTER	CONTINUOUS	F7	1.15/1.15	40

FULL LOAD EFF:	95.8&95.8	3/4 LOAD EFF:	95.8	1/2 LOAD EFF:	95.4	GTD. EFF		ELEC. TYPE	
FULL LOAD PF:	87.5&87	3/4 LOAD PF:	85.5	1/2 LOAD PF:	79	95.4		SQ CAGE INV RATED	

F.L. TORQUE	LOCKED ROTOR AMPS	L.R. TORQUE	B.D. TORQUE	F.L. RISE°C
588 LB-FT	1430	1233 LB-FT 210 %	1408 LB-FT 240 %	45

SOUND PRESSURE @ 3 FT.	SOUND POWER	ROTOR WK^2	MAX. WK^2	SAFE STALL TIME	STARTS / HOUR	APPROX. MOTOR WGT
84 dBA	94 dBA	88 LB-FT^2	1000 LB-FT^2	20 SEC.	2	2200 LBS.

***** SUPPLEMENTAL INFORMATION *****

DE BRACKET TYPE	ODE BRACKET TYPE	MOUNT TYPE	ORIENTATION	SEVERE DUTY	HAZARDOUS LOCATION	DRIP COVER	SCREENS	PAINT
STANDARD	STANDARD	RIGID	HORIZONTAL	FALSE	NONE	FALSE	NONE	BLUE (ENAMEL)

BEARINGS		GREASE	SHAFT TYPE	SPECIAL DE	SPECIAL ODE	SHAFT MATERIAL	FRAME MATERIAL
DE	ODE						
BALL	BALL	POLYREX EM	TS	NONE	NONE	1045 HOT ROLLED (C-204)	CAST IRON
6319	6317						

THERMO-PROTECTORS				THERMISTORS	CONTROL	SPACE HEATERS
THERMOSTATS	PROTECTORS	WDG RTDs	BRG RTDs			
NONE	NOT	NONE	NONE	NONE	FALSE	NONE VOLTS

*
N
O
T
E
S
*

INVERTER TORQUE: VARIABLE 10:1
INV. HP SPEED RANGE: NONE
ENCODER: NONE NONE NONE NONE NONE PPR
BRAKE: NONE NONE NONE P/N NONE NONE NONE NONE FT-LB NONE V NONE Hz

PREPARED BY: Anusha Muthyala
DATE: 06/07/2018 07:44:05 AM
FORM 3531 REV.3 02/07/99
** Subject to change without notice.

Data Sheet

Date: 12/1/2021
 Customer: _____
 Attention: _____
 Submitted by: _____



445TSTDCD6060

Submittal

Data @ 460 V

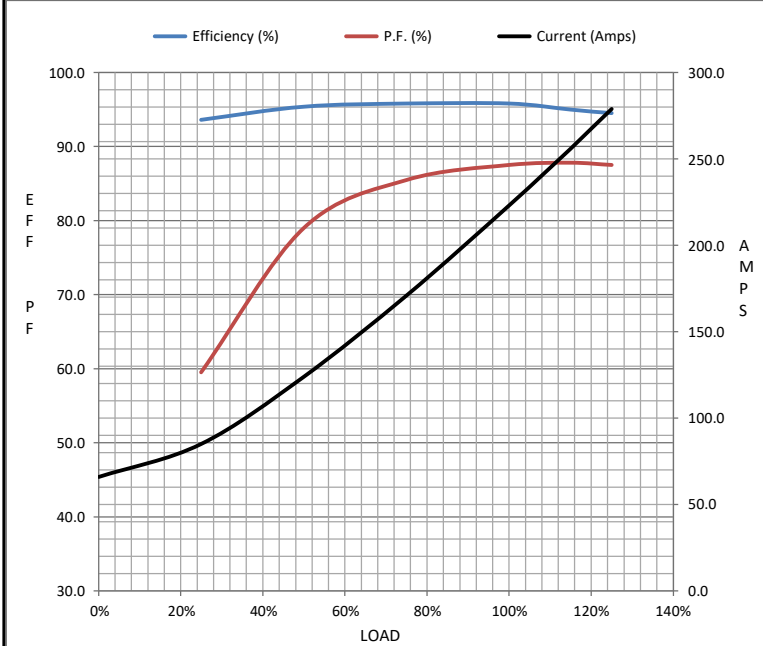
Motor Load Data

Load	0%	25%	50%	75%	100%	115%	125%	LR
Current (Amps)	66.0	85.0	124	171	223	256	279	1,440
Torque (ft-lb)	0.00	146	293	440	588	677	737	1,400
RPM	1800	1798	1796	1792	1790	1,786	1784	0
Efficiency (%)		93.6	95.4	95.8	95.8	95.0	94.5	
P.F. (%)	5.5	59.5	79.0	85.5	87.5	87.8	87.5	38.0

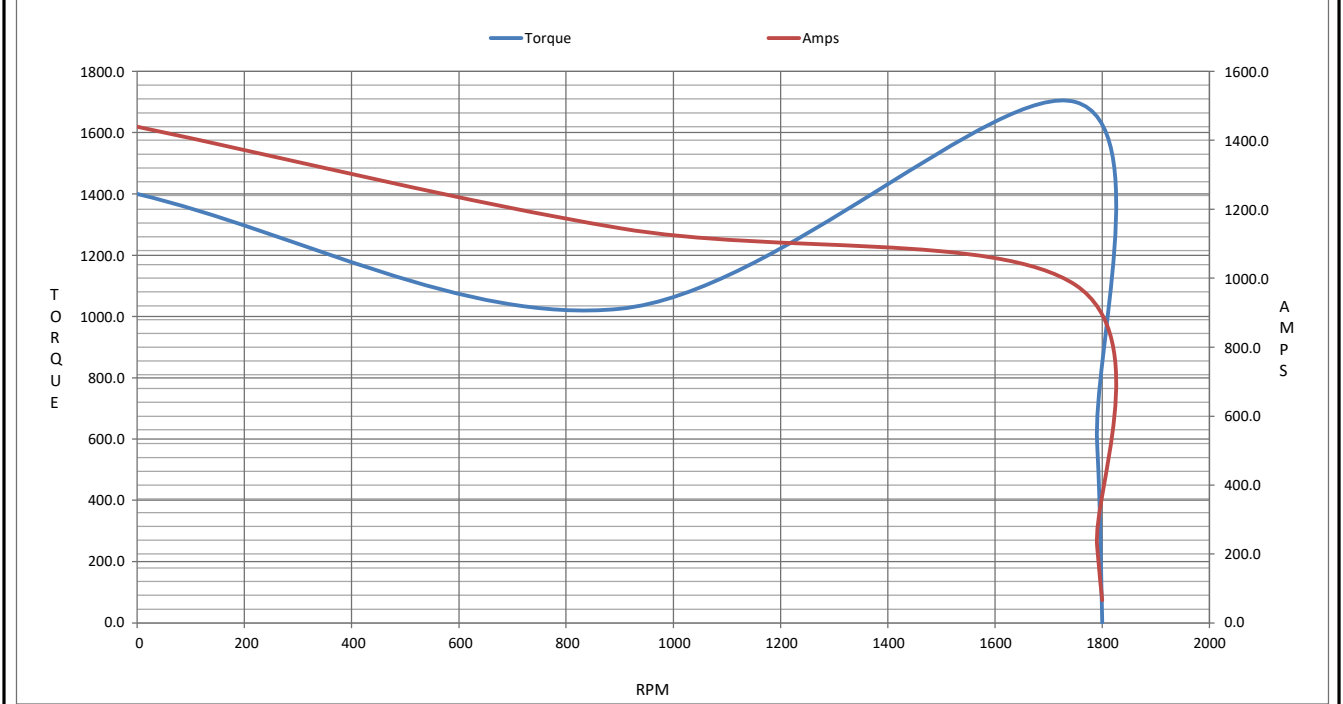
Motor Speed Data

	LR	Pull-Up	BD	Rated	Idle
Speed (RPM)	0	900	1750	1790	1800
Current (Amps)	1,440	1,145	980	223	66.0
Torque (ft-lb)	1,400	1,025	1,700	588	0.00

Information Block				
HP	200.0			
Sync. RPM	1800			
Frame	445			
Enclosure	DP			
Construction	TDC			
Voltage	460#380 V			
Frequency	60 Hz			
Design	B			
LR Code letter	G			
Service Factor	1.15			
Temp Rise @ FL	40 ° C			
Duty	CONT			
Ambient	40 ° C			
Elevation	3,300 feet			
Rotor/Shaft wk ²	88.0 Lb-F ²			
Ref Wdg	HA32804016 NONE			
Sound Pressure @ 1M	84 dBA			
VFD Rating	VARIABLE 20:1			
Outline Dwg	SS620756-100			
Conn. Diag	EE7341C			
Additional Specifications:				
0				
0				
EQUIV CKT (OHMS / PHASE)				
R1	R2	X1	X2	Xm
0.0110	0.0070	0.0850	0.1850	4.0330



Speed - Torque Curve



EC Declaration of Conformity

The undersigned representing
the manufacturer:

Regal Beloit America
100 East Randolph St.
Wausau, WI 54401

and the authorized representative
established within the Community:

Marathon Electric UK
6F Thistleton Road Ind. Estate
Market Overton
Oakham, Rutland LE15 7PP UK

are committed to providing customers with products that comply with applicable regulations and international protocols to which they are subject, including the requirements of the European Parliament Directive on the Harmonization of the laws relating to electrical equipment designed for use within certain voltage limits (2014/35/EU).

Regal Beloit America declares that the following product(s), to which this declaration relates, are in conformity with the relevant sections of the EC standards listed below.

This statement supersedes any statements previously issued pertaining to the product(s) listed below and is subject to change without notice.

Model No : 445TSTDCD6060

(Model No. may contain prefix and/or suffix characters)

Catalog No : GT0090

Rework No : N/A

Directives :

Low Voltage Directive 2014/35/EU

Harmonized Standards Used :

EN 60034-1: 2010 (IEC 60034-1: 2010)

EN 60034-5: 2001/A1:2007 (IEC 60034-5: 2000/A1:2006)

Authorized Representative:



Michael A. Logsdon
Vice President, Technology

Authorized Representative in the Community:



Julian Clark
Marketing Engineer

Created on 09/01/2022

CE 22