

PRODUCT INFORMATION PACKET

Model No: 256TTDBD6082

Catalog No: GT0458

Close-Coupled Pump Motor, 10 HP, 3 Ph, 60 Hz, 208-230/460 V, 1200 RPM, 256JM Frame, DP



Regal and are trademarks of Regal Rexnord Corporation or one of its affiliated companies.
©2022 Regal Rexnord Corporation, All Rights Reserved. MC017097E

RegalRexnord

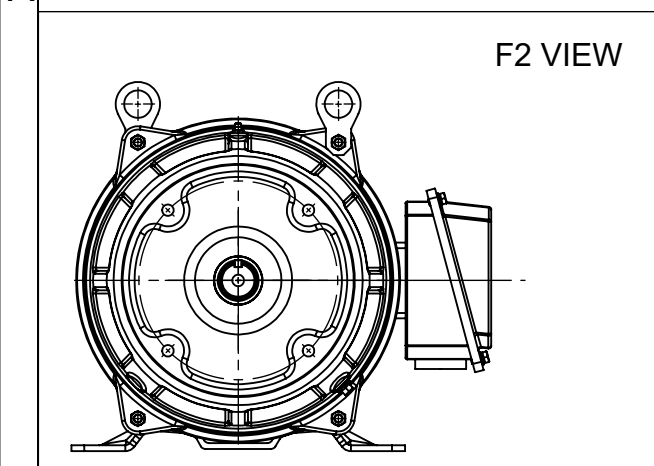
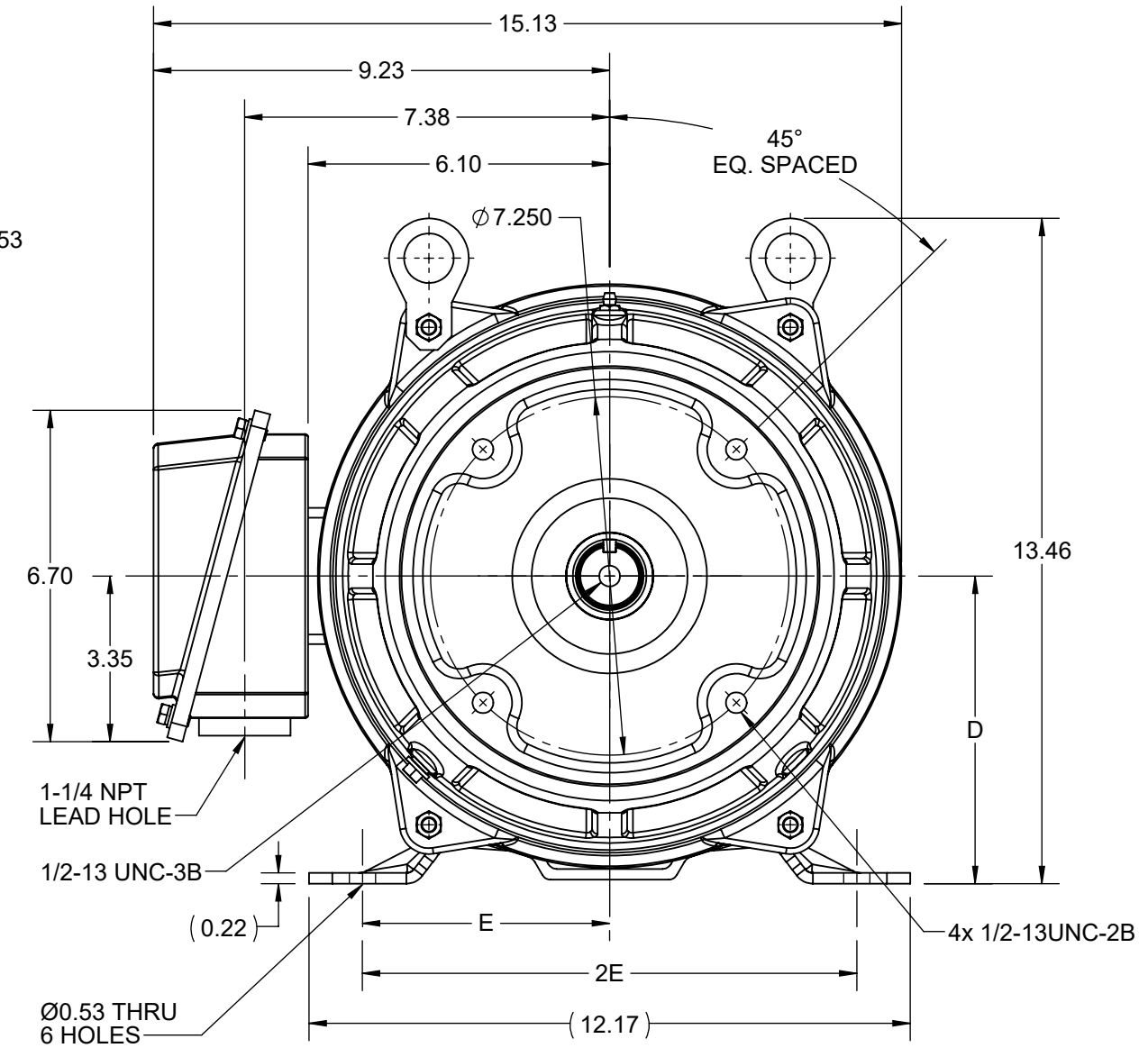
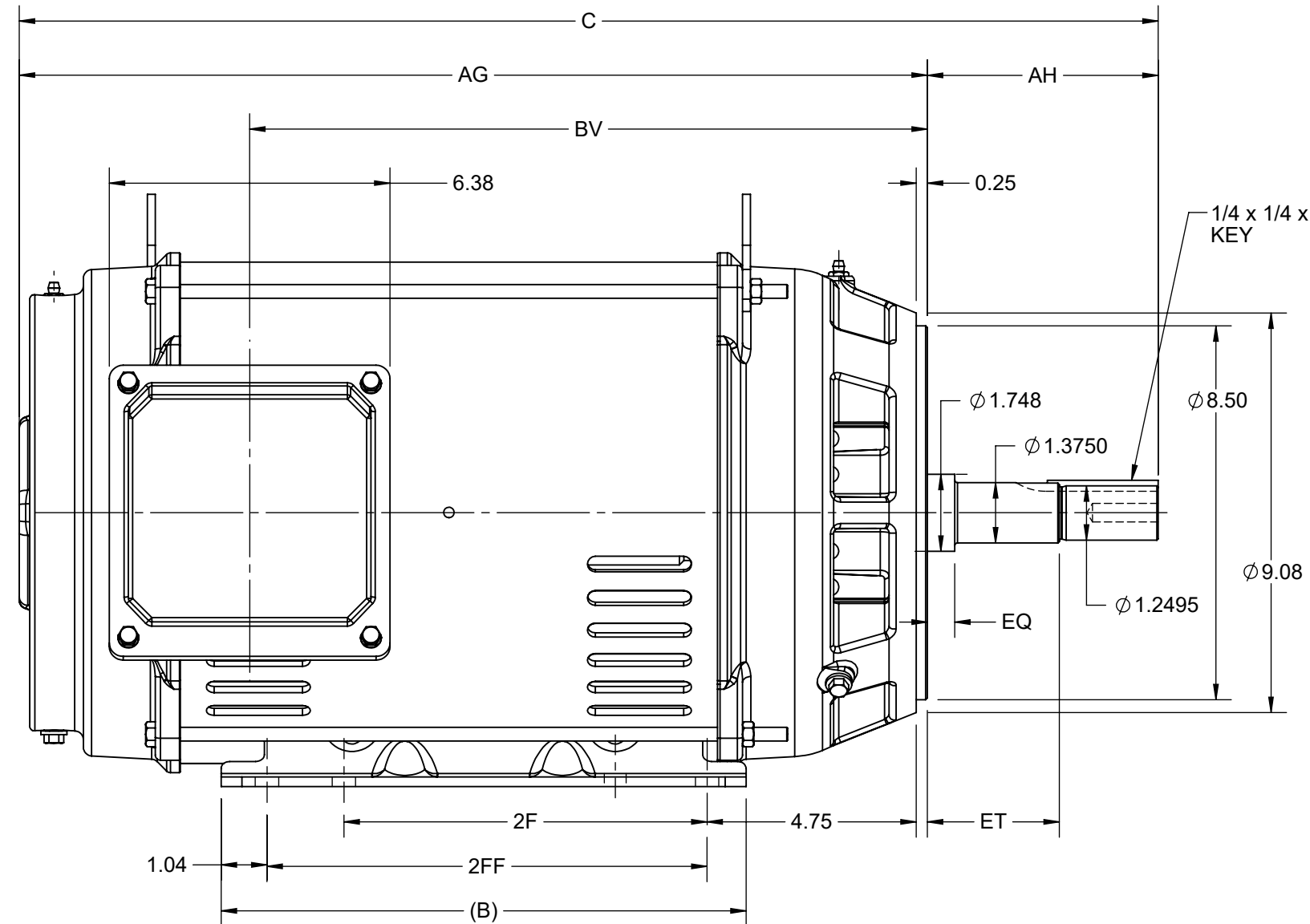
Nameplate Specifications

| | | | |
|------------------------|-------------------------|----------------------------|----------------------|
| Output HP | 10 Hp | Output KW | 7.5 kW |
| Frequency | 60 Hz | Voltage | 208-230/460 V |
| Current | 27.8-25.6/12.8 A | Speed | 1182 rpm |
| Service Factor | 1.15 | Phase | 3 |
| Efficiency | 91.7 % | Power Factor | 80 |
| Duty | Continuous | Insulation Class | F |
| Design Code | B | KVA Code | H |
| Frame | 256JM | Enclosure | Drip Proof |
| Thermal Protection | No Protection | Ambient Temperature | 40 °C |
| Drive End Bearing Size | 6309 | Opp Drive End Bearing Size | 6208 |
| UL | Recognized | CSA | Y |
| CE | Y | IP Code | 22 |
| Number of Speeds | 1 | | |

Technical Specifications

| | | | |
|-----------------------|-------------------------------------|-----------------------|----------------------------|
| Electrical Type | Squirrel Cage Inverter Rated | Starting Method | Line Or Inverter |
| Poles | 6 | Rotation | Selective Clockwise |
| Resistance Main | 1.066 Ohms | Mounting | Rigid Base |
| Motor Orientation | Horizontal | Drive End Bearing | Ball |
| Opp Drive End Bearing | Ball | Frame Material | Rolled Steel |
| Shaft Type | JM | Overall Length | 25.99 in |
| Frame Length | 12.20 in | Shaft Diameter | 1.249 in |
| Shaft Extension | 5.5 in | Assembly/Box Mounting | F1/F2 CAPABLE |
| Inverter Load | CONSTANT 2:1/VARIABLE 10:1 | | |
| Connection Drawing | EE7308K | Outline Drawing | SS620822-200 |

| DASH NO. | 4 | | | | 3 | | | | 2 | | | | 1 | |
|----------|-------|-------|------|------|-------|------|-------|-------|-------|-------|------|------|----------|-------|
| | B | C | D | E | 2E | 2F | 2FF | AG | AH | BV | EQ | ET | MOUNTING | FRAME |
| 100 | 11.93 | 24.31 | 6.25 | 5.00 | 10.00 | 8.25 | 10.00 | 19.06 | 5.248 | 13.82 | 0.63 | 3.00 | F1 OR F2 | 254JM |
| 200 | | 25.88 | | | | | | 20.63 | | 15.40 | | | | 256JM |

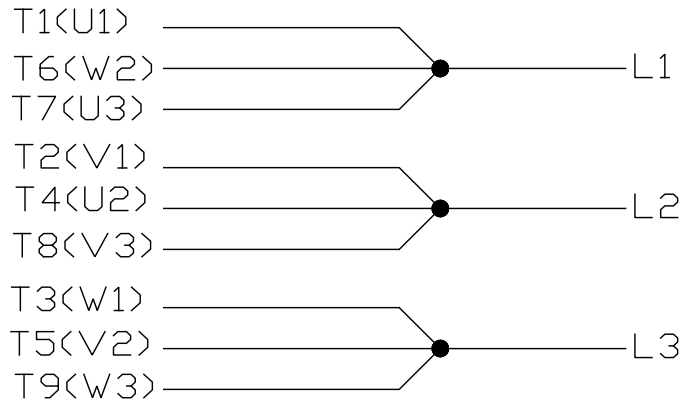


| | | |
|---|--------------------|-------------------------------|
| DRAWING REVISION D | REVISION BY RAM | REV DATE/© DATE 08/02/2022 |
| REQUEST NUMBER CR-0006810 | APPROVED BY SBD | DATE 08/02/2022 |
| REQUEST NUMBER DESCRIPTION VIEWS UPDATED AS PER 3D | | |
| <small>COPYRIGHT (PER REVISION DATE) REGAL BELOIT AMERICA, INC. ALL RIGHTS RESERVED. PROPRIETARY AND CONFIDENTIAL INFORMATION - THIS DOCUMENT IS THE PROPERTY OF REGAL BELOIT AMERICA, INC. ("OWNER") AND CONTAINS OWNER'S PROPRIETARY INFORMATION. ANY PERSON, CORPORATION OR OTHER FIRM RECEIVING IT IS DEEMED, BY RECEIVING IT, TO AGREE THAT IT, AND/OR ANY PART OF IT, SHALL NOT BE DISCLOSED TO ANY PERSON, CORPORATION OR OTHER ENTITY, DUPLICATED, AND/OR USED, EXCEPT AS EXPRESSLY APPROVED IN WRITING IN ADVANCE BY OWNER. THIS DOCUMENT SHALL BE RETURNED TO OWNER UPON REQUEST. IT MAY BE SUBJECT TO CERTAIN RESTRICTIONS UNDER APPLICABLE EXPORT CONTROL LAWS AND REGULATIONS.</small> | | |

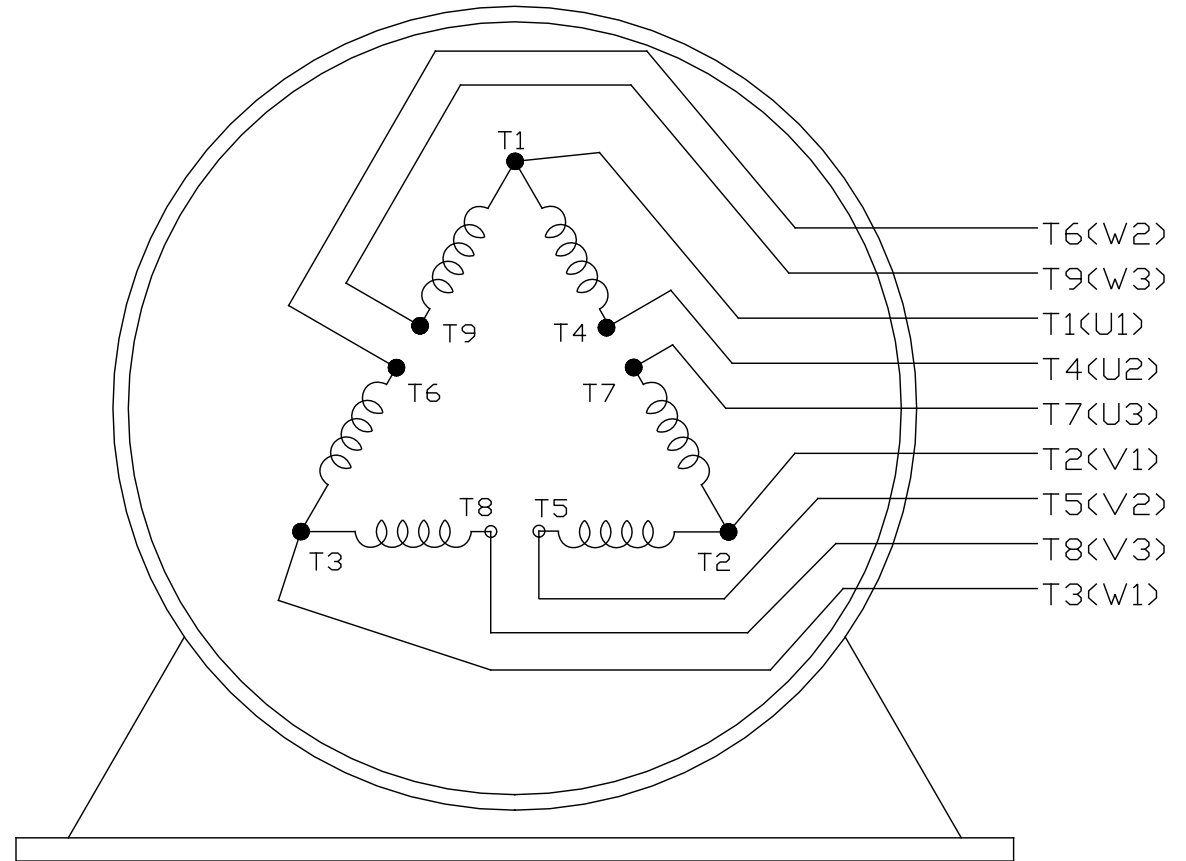
PRIMARY DIMENSIONS ARE INCH
mm DIMENSIONS IN [BRACKETS]
ARE FOR REFERENCE ONLY

| | | |
|--------------------|---|----------------------------|
| DRAWN BY VS | Regal Beloit America, Inc. | |
| DATE 12-02-2021 | DESCRIPTION OUTLINE 254/256JM FR NEMA ODP RS | |
| APPROVED BY GNK | MATERIAL | PROCESS/FINISH |
| DATE 12-02-2021 | SIZE B | DRAWING NUMBER SS620822 |
| REFERENCE | THIRD ANGLE PROJECTION | SHEET 1 OF 1 |


LOW VOLTAGE



HIGH VOLTAGE



VIEW OF TERMINAL END

| | | | | TOLERANCES UNLESS SPECIFIED | |  REGAL - BELOIT CORPORATION | DRAWN PGK 06-04-1997 | | | |
|--|--|----------------|-----|-----------------------------|--------|---|---------------------------|---------|---------------------|------|
| NO. | REVISION | BY & DATE | CHK | ANG | ± | | UNIT | CHK | ML 06-05-1997 | |
| E | CORRECTED IEC MARKINGS ECD-0111208 | WGJ 01-23-2017 | EMH | DEC. | | INCHES | | APPD | GK 06-15-1997 | |
| D | RE-DRAWN WITH REGAL LOGO ECD-0110493 | WGJ 09-30-2016 | EMH | .X | ±.1 | | | | | |
| 8 | ADDED IEC DESIGNATIONS MU95020 | TJW 4/30/2010 | MJS | .XX | ±.02 | | TITLE | | SCALE | |
| 7 | REVISED HIGH VOLTAGE L2 WAS L3 CN52600-354 | MRB 09-21-1998 | | .XXX | ±.005 | | CONNECTION DIAGRAM | | REF | |
| 6 | REDRAWN ON CADD | PGK 06-05-1997 | | .XXXX | ±.0005 | | DELTA CON. - 3Ø - 9 LEADS | | FMF | |
| | | | | | ±7'30" | | MAT'L. | | PREV | |
| | | | RFP | | | | FINISH | | | |
| THIS DRAWING IN DESIGN AND DETAIL IS OUR PROPERTY AND MUST NOT BE USED EXCEPT IN CONNECTION WITH OUR WORK ALL RIGHTS OF DESIGN AND INVENTION ARE RESERVED THIS IS AN ELECTRONICALLY GENERATED DOCUMENT - DO NOT SCALE THIS PRINT | | | | | | | CAD FILE EE7308K | SIZE | DRAWING NO. PAGE OF | REV. |
| | | | | | | | A | EE7308K | E | |



**P.O. BOX 8003
WAUSAU, WI 54401-8003
PH. 715-675-3311**

CERTIFICATION DATA SHEET

CUSTOMER:

CUSTOMER

ORDER #:

PO#:

CONN. DIAGRAM: EE7308K

MODEL #: 256TTDBD6082 AA

OUTLINE: SS620822-256

CUSTOMER PART

WINDING #: HE31606008 2

#:

MOUNTING: F1/F2 CAPABLE

TYPICAL MOTOR PERFORMANCE DATA

| HP | kW | SYNC. RPM | F.L. RPM | FRAME | ENCLOSURE | KVA CODE | DESIGN |
|----------|-----------|-----------|----------|--------|-----------|----------|--------|
| 10&7 1/2 | 7.50&5.60 | 1200 | 1182&982 | 256JMV | DP | H | B |

| PH | Hz | VOLTS | AMPS | START TYPE | DUTY | INSL | S.F. | AMB°C |
|----|-------|-----------------|---------------------|------------------|------------|------|-----------|-------|
| 3 | 60/50 | 230/460&190/380 | 25.6/12.8&24.4/12.2 | LINE OR INVERTER | CONTINUOUS | F7 | 1.15/1.15 | 40 |

| FULL LOAD EFF: | 91.7&91 | 3/4 LOAD EFF: | 91.7 | 1/2 LOAD EFF: | 90.2 | GTD. EFF | | ELEC. TYPE | |
|----------------|---------|---------------|------|---------------|------|----------|--|-------------------|--|
| FULL LOAD PF: | 80&79 | 3/4 LOAD PF: | 74.5 | 1/2 LOAD PF: | 63 | 91 | | SQ CAGE INV RATED | |

| F.L. TORQUE | LOCKED ROTOR AMPS | L.R. TORQUE | B.D. TORQUE | F.L. RISE°C |
|-------------|-------------------|----------------|-----------------|-------------|
| 44.5 LB-FT | 160 / 80 | 93 LB-FT 209 % | 113 LB-FT 254 % | 40 |

| SOUND PRESSURE @ 3 FT. | SOUND POWER | ROTOR WK^2 | MAX. WK^2 | SAFE STALL TIME | STARTS / HOUR | APPROX. MOTOR WGT |
|------------------------|-------------|-------------|-------------|-----------------|---------------|-------------------|
| 62 dBA | 72 dBA | 2.9 LB-FT^2 | 200 LB-FT^2 | 15 SEC. | 2 | 325 LBS. |

***** SUPPLEMENTAL INFORMATION *****

| DE BRACKET TYPE | ODE BRACKET TYPE | MOUNT TYPE | ORIENTATION | SEVERE DUTY | HAZARDOUS LOCATION | DRIP COVER | SCREENS | PAINT |
|-----------------|------------------|------------|--------------------------|-------------|--------------------|------------|---------|---------------|
| C-FACE | STANDARD | RIGID | HORIZONTAL OR SHAFT DOWN | FALSE | NONE | FALSE | NONE | BLUE (ENAMEL) |

| BEARINGS | | GREASE | SHAFT TYPE | SPECIAL DE | SPECIAL ODE | SHAFT MATERIAL | FRAME MATERIAL |
|----------|------|------------|------------|------------|-------------|-------------------------|----------------|
| DE | ODE | | | | | | |
| BALL | BALL | POLYREX EM | JM | NONE | NONE | 1045 HOT ROLLED (C-204) | ROLLED STEEL |
| 6309 | 6208 | | | | | | |

| THERMO-PROTECTORS | | | | THERMISTORS | CONTROL | SPACE HEATERS |
|-------------------|------------|----------|----------|-------------|---------|---------------|
| THERMOSTATS | PROTECTORS | WDG RTDs | BRG RTDs | | | |
| NONE | NOT | NONE | NONE | NONE | FALSE | NONE VOLTS |

*
N
O
T
E
S

| |
|--|
| INVERTER TORQUE: CONSTANT 2:1/VARIABLE 20:1 INV. HP SPEED RANGE: NONE |
| ENCODER: NONE NONE NONE NONE NONE PPR |
| BRAKE: NONE NONE NONE P/N NONE NONE NONE NONE FT-LB NONE V NONE Hz |

Data Sheet

Date: 12/2/2021
 Customer: _____
 Attention: _____
 Submitted by: _____



256TTDBD6082

Submittal

Data @ 460 V

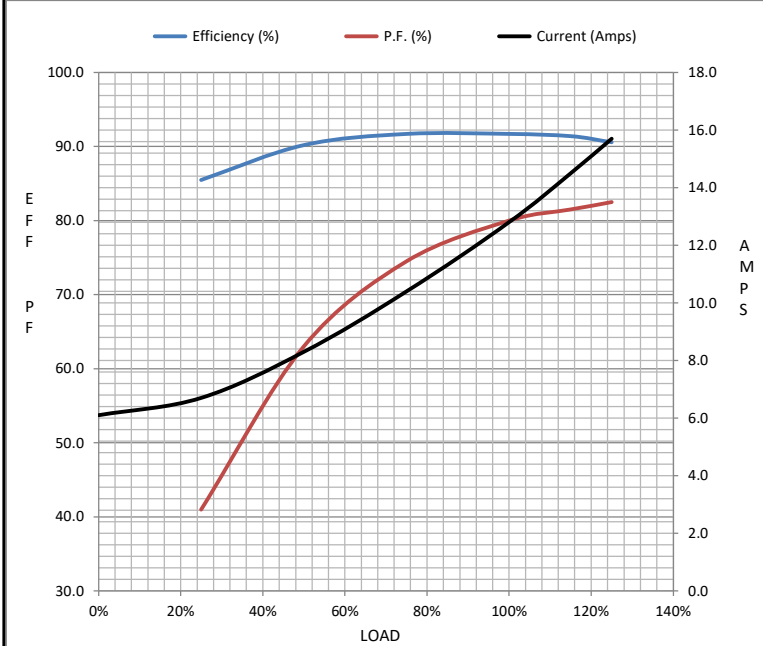
Motor Load Data

| Load | 0% | 25% | 50% | 75% | 100% | 115% | 125% | LR |
|----------------|------|------|------|------|------|-------|------|------|
| Current (Amps) | 6.1 | 6.7 | 8.3 | 10.4 | 12.8 | 14.5 | 15.7 | 80.0 |
| Torque (ft-lb) | 0.00 | 11.0 | 22.0 | 33.2 | 44.5 | 51.3 | 55.9 | 93.0 |
| RPM | 1200 | 1195 | 1192 | 1185 | 1182 | 1,178 | 1175 | 0 |
| Efficiency (%) | | 85.5 | 90.2 | 91.7 | 91.7 | 91.4 | 90.6 | |
| P.F. (%) | 6.0 | 41.0 | 63.0 | 74.5 | 80.0 | 81.5 | 82.5 | 44.0 |

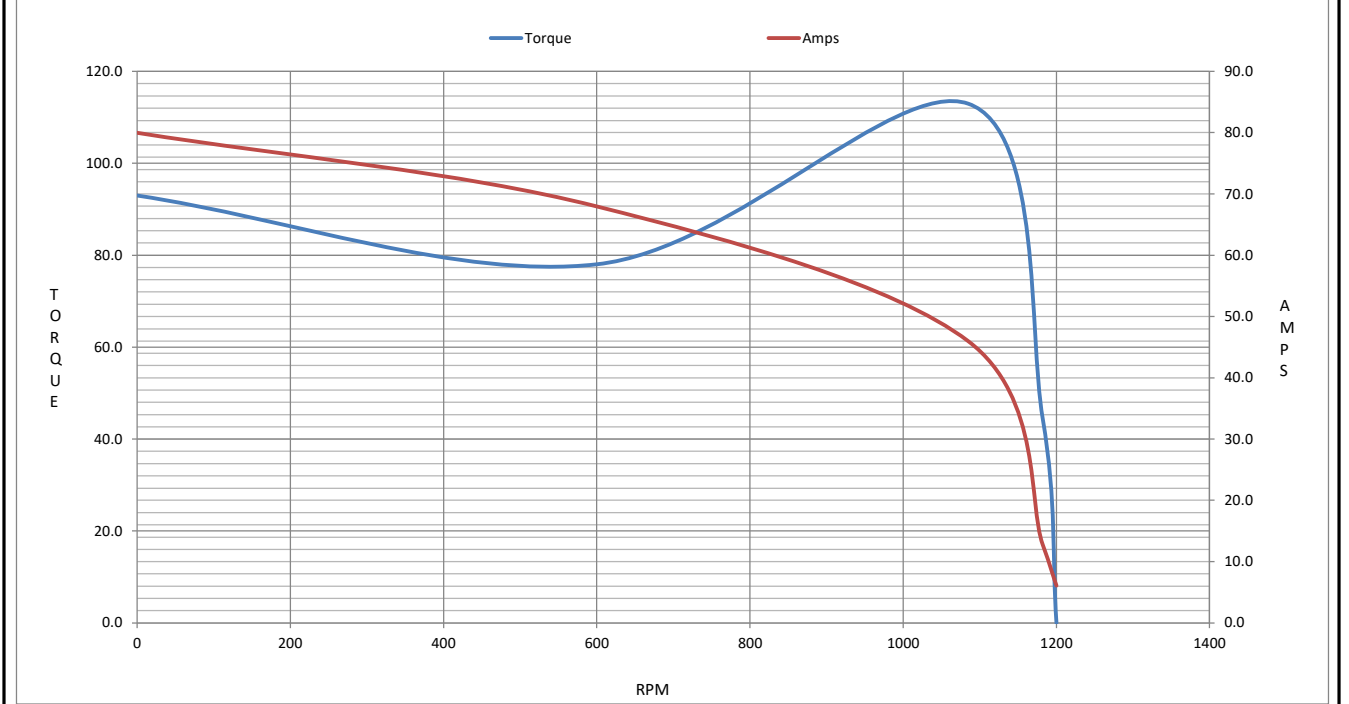
Motor Speed Data

| | LR | Pull-Up | BD | Rated | Idle |
|----------------|------|---------|------|-------|------|
| Speed (RPM) | 0 | 600 | 1085 | 1182 | 1200 |
| Current (Amps) | 80.0 | 68.0 | 46.0 | 12.8 | 6.1 |
| Torque (ft-lb) | 93.0 | 78.0 | 113 | 44.5 | 0.00 |

| Information Block | | | | |
|-----------------------------|----------------------------|--------|--------|---------|
| HP | 10.0 | | | |
| Sync. RPM | 1200 | | | |
| Frame | 256 | | | |
| Enclosure | DP | | | |
| Construction | TDB | | | |
| Voltage | 208-230/460#190/380 V | | | |
| Frequency | 60 Hz | | | |
| Design | B | | | |
| LR Code letter | H | | | |
| Service Factor | 1.15 | | | |
| Temp Rise @ FL | 40 ° C | | | |
| Duty | CONT | | | |
| Ambient | 40 ° C | | | |
| Elevation | 3,300 feet | | | |
| Rotor/Shaft wk ² | 2.90 Lb-F ² | | | |
| Ref Wdg | HA31606008 NONE | | | |
| Sound Pressure @ 1M | 62 dBA | | | |
| VFD Rating | CONSTANT 2:1/VARIABLE 20:1 | | | |
| Outline Dwg | SS620822-200 | | | |
| Conn. Diag | EE7308K | | | |
| Additional Specifications: | | | | |
| 0 | | | | |
| 0 | | | | |
| EQUIV CKT (OHMS / PHASE) | | | | |
| R1 | R2 | X1 | X2 | Xm |
| 0.6480 | 0.3410 | 1.8180 | 2.5560 | 42.4860 |



Speed - Torque Curve



EC Declaration of Conformity

The undersigned representing
the manufacturer:

Regal Beloit America
100 East Randolph St.
Wausau, WI 54401

and the authorized representative
established within the Community:

Marathon Electric UK
6F Thistleton Road Ind. Estate
Market Overton
Oakham, Rutland LE15 7PP UK

are committed to providing customers with products that comply with applicable regulations and international protocols to which they are subject, including the requirements of the European Parliament Directive on the Harmonization of the laws relating to electrical equipment designed for use within certain voltage limits (2014/35/EU).

Regal Beloit America declares that the following product(s), to which this declaration relates, are in conformity with the relevant sections of the EC standards listed below.

This statement supersedes any statements previously issued pertaining to the product(s) listed below and is subject to change without notice.

Model No : 256TTDBD6082

(Model No. may contain prefix and/or suffix characters)

Catalog No : GT0458

Rework No : N/A

Directives :

Low Voltage Directive 2014/35/EU

Harmonized Standards Used :

EN 60034-1: 2010 (IEC 60034-1: 2010)

EN 60034-5: 2001/A1:2007 (IEC 60034-5: 2000/A1:2006)

Authorized Representative:



Michael A. Logsdon
Vice President, Technology

Authorized Representative in the Community:



Julian Clark
Marketing Engineer

Created on 09/01/2022

CE 22