

PRODUCT INFORMATION PACKET

Model No: 215TTDBD6092

Catalog No: GT0514A

Close-Coupled Pump Motor, 5 HP, 3 Ph, 60 Hz, 575 V, 1200 RPM, 215JM Frame, DP



Regal and are trademarks of Regal Rexnord Corporation or one of its affiliated companies.
©2022 Regal Rexnord Corporation, All Rights Reserved. MC017097E

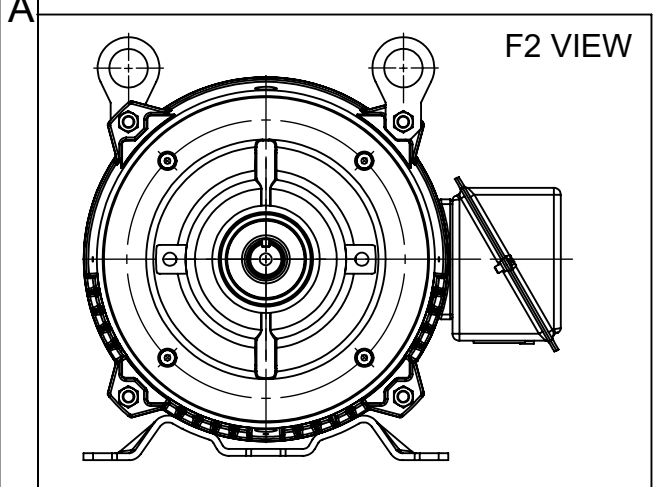
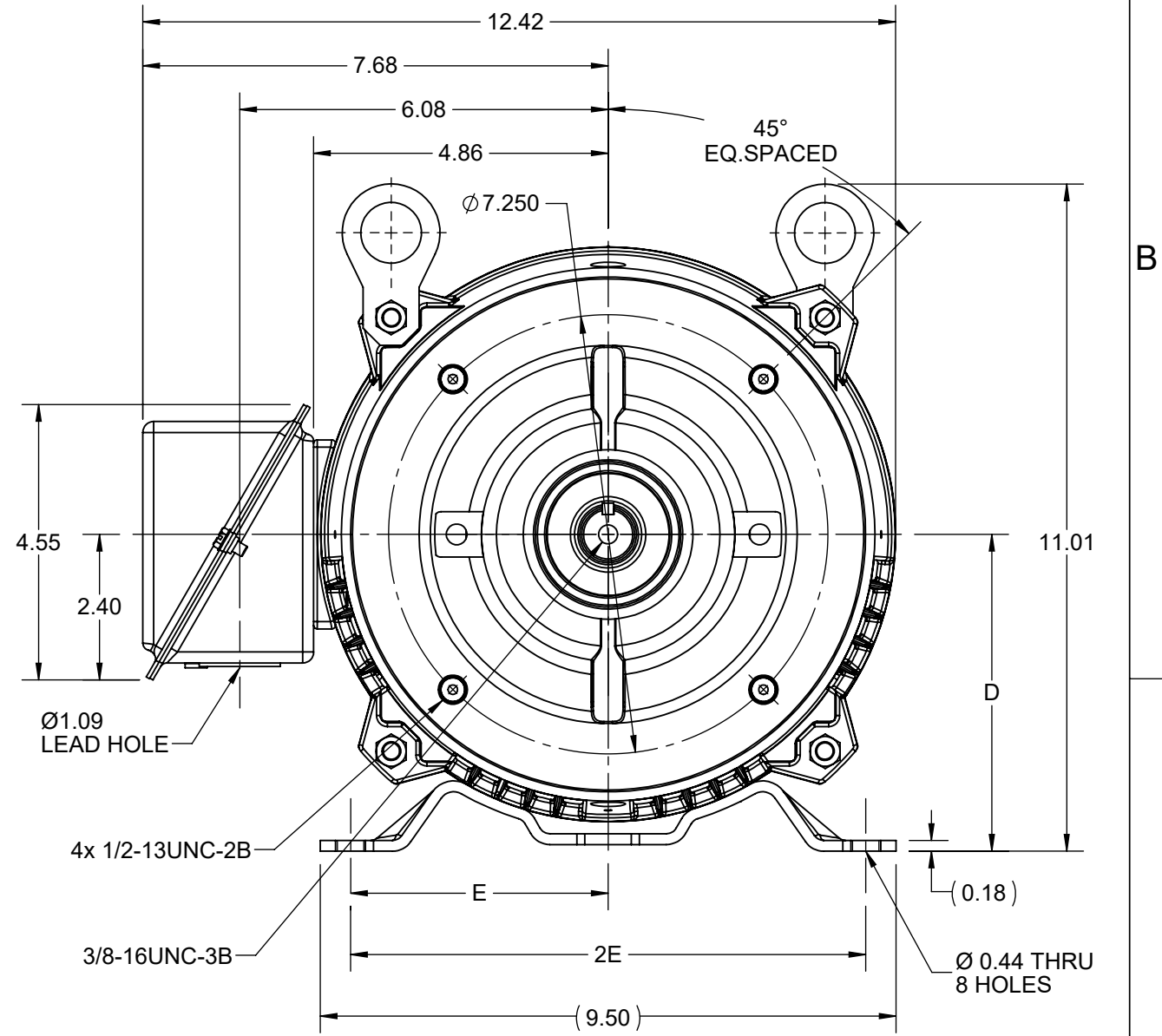
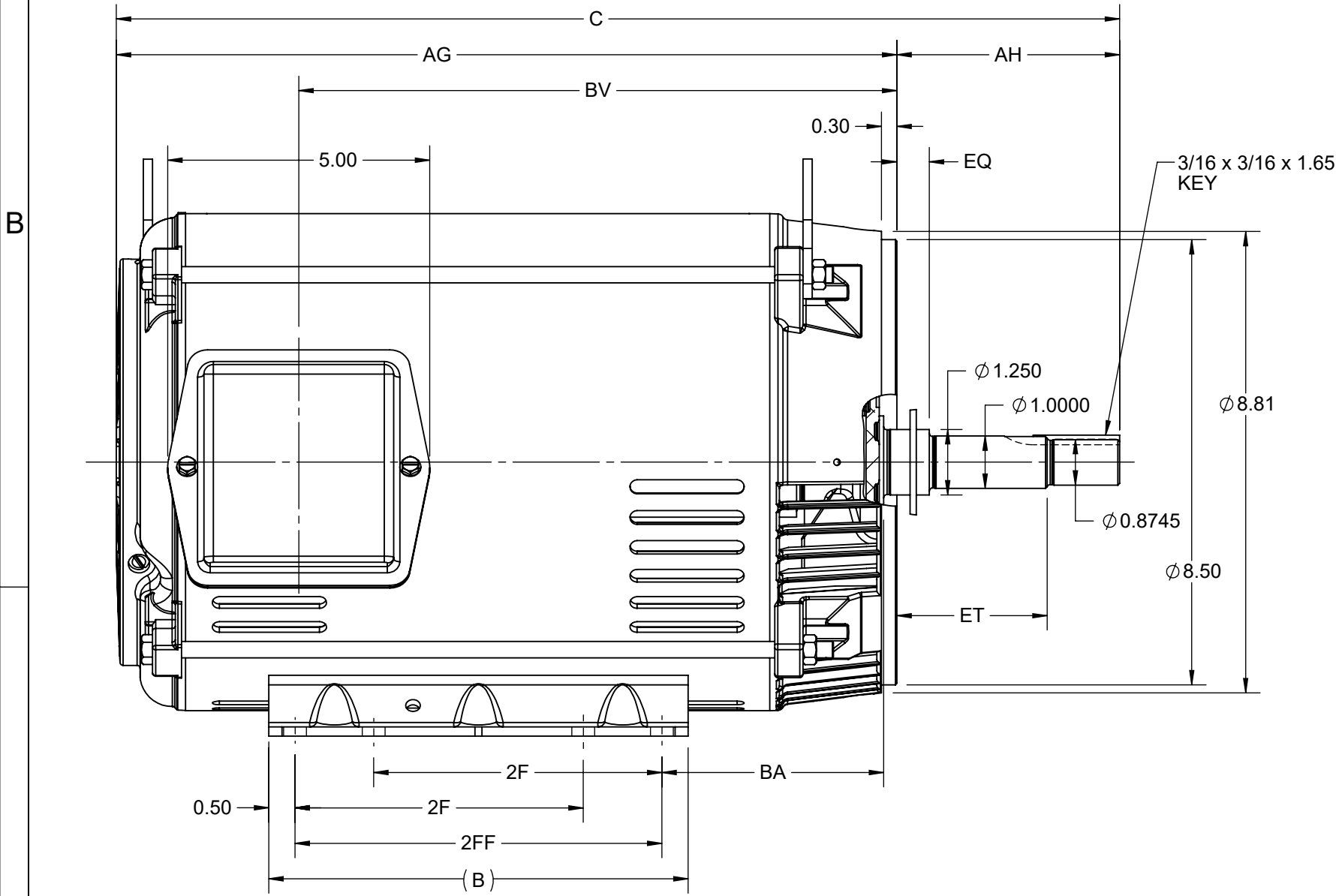
Nameplate Specifications

Output HP	5 Hp	Output KW	3.7 kW
Frequency	60 Hz	Voltage	575 V
Current	5.5 A	Speed	1180 rpm
Service Factor	1.15	Phase	3
Efficiency	89.5 %	Power Factor	76
Duty	Continuous	Insulation Class	F
Design Code	B	KVA Code	J
Frame	215JM	Enclosure	Drip Proof
Thermal Protection	No Protection	Ambient Temperature	40 °C
Drive End Bearing Size	6309	Opp Drive End Bearing Size	6206
UL	Recognized	CSA	Y
CE	Y	IP Code	22
Number of Speeds	1		

Technical Specifications

Electrical Type	Squirrel Cage Inverter Rated	Starting Method	Line Or Inverter
Poles	6	Rotation	Reversible
Resistance Main	2.186 Ohms	Mounting	Rigid Base
Motor Orientation	Horizontal	Drive End Bearing	Ball
Opp Drive End Bearing	Ball	Frame Material	Rolled Steel
Shaft Type	JM	Overall Length	19.22 in
Frame Length	11.15 in	Shaft Diameter	0.874 in
Shaft Extension	4.53 in	Assembly/Box Mounting	F1/F2 CAPABLE
Inverter Load	CONSTANT 4:1/VARIABLE 10:1		
Outline Drawing	SS620792	Connection Drawing	EE7300

4				3				2				1	
B	C	D	E	2E	2F	2FF	AG	AH	BV	BA	EQ	ET	MOUNTING
8.00	19.15	5.25	4.25	8.50	5.50	7.00	14.90	4.25	11.42	4.25	0.62	2.87	F1 OR F2



DRAWING REVISION E	REVISION BY GOPI J	REV DATE/© DATE 09/05/2022
REQUEST NUMBER CR-0008840	APPROVED BY GNK	DATE 09/05/2022
REQUEST NUMBER DESCRIPTION FRAME AND CONDUIT BOX PART # UPDATED AS PER CR		
<small>COPYRIGHT (PER REVISION DATE) REGAL BELOIT AMERICA, INC. ALL RIGHTS RESERVED. PROPRIETARY AND CONFIDENTIAL INFORMATION - THIS DOCUMENT IS THE PROPERTY OF REGAL BELOIT AMERICA, INC. ("OWNER") AND CONTAINS OWNER'S PROPRIETARY INFORMATION. ANY PERSON, CORPORATION OR OTHER FIRM RECEIVING IT IS DEEMED, BY RECEIVING IT, TO AGREE THAT IT, AND/OR ANY PART OF IT, SHALL NOT BE DISCLOSED TO ANY PERSON, CORPORATION OR OTHER ENTITY, DUPLICATED, AND/OR USED, EXCEPT AS EXPRESSLY APPROVED IN WRITING IN ADVANCE BY OWNER. THIS DOCUMENT SHALL BE RETURNED TO OWNER UPON REQUEST. IT MAY BE SUBJECT TO CERTAIN RESTRICTIONS UNDER APPLICABLE EXPORT CONTROL LAWS AND REGULATIONS.</small>		

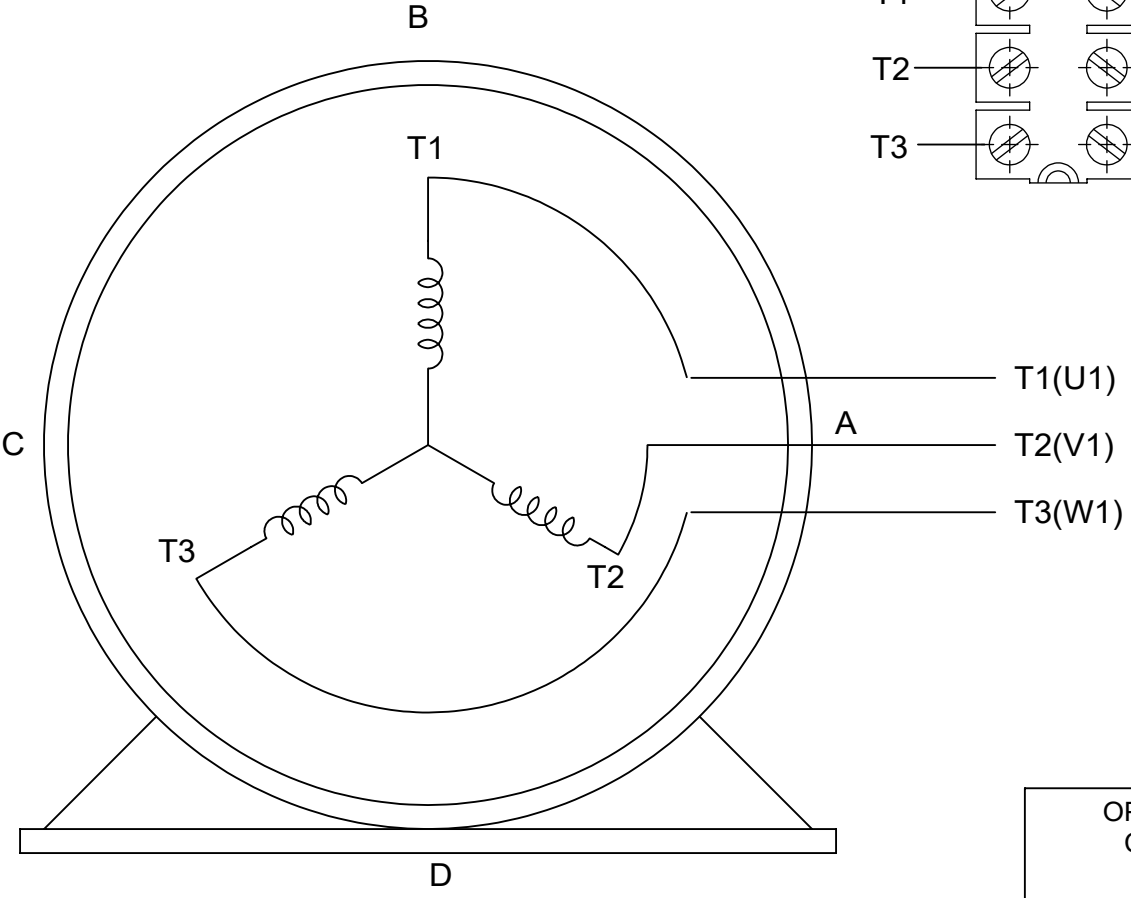
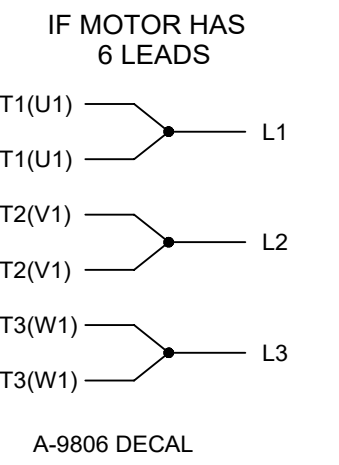
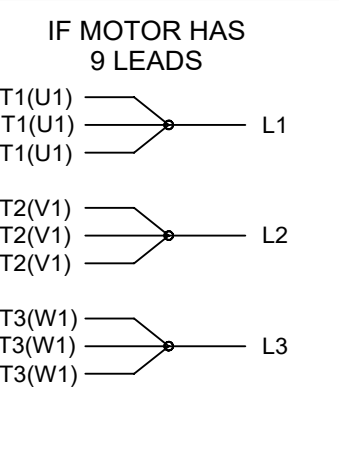
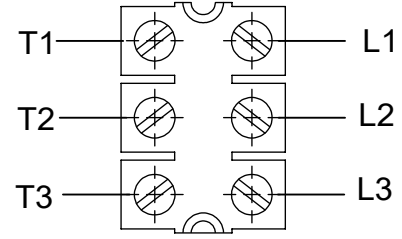
PRIMARY DIMENSIONS ARE INCH
mm DIMENSIONS IN [BRACKETS]
ARE FOR REFERENCE ONLY

DRAWN BY ZXY	 Regal Beloit America, Inc.
DATE 04/01/2017	
APPROVED BY CL	DESCRIPTION OUTLINE 213/215JM FR NEMA ODP RS
DATE 04/01/2017	MATERIAL
REFERENCE	PROCESS/FINISH
THIRD ANGLE PROJECTION	SIZE B
	DRAWING NUMBER SS620792
	SHEET 1 OF 1

THREE PHASE - SINGLE VOLTAGE
MOTOR - CONDUIT BOX @ 'A'

TERMINAL BLOCK WHEN SPECIFIED

TO REVERSE ROTATION:
INTERCHANGE ANY TWO LINE
LEAD CONNECTIONS



VIEW OF TERMINAL END

OPTIONAL CORD CONNECTION

L1	WHITE
L2	RED
L3	BLACK

DRAWING REVISION AC	REVISION BY BS	REV DATE/© DATE 26/07/2022
REQUEST NUMBER CR-0010402	APPROVED BY SN	DATE 26/07/2022
REQUEST NUMBER DESCRIPTION DRAWING UPDATED		
<small>COPYRIGHT (PER REVISION DATE) REGAL BELOIT AMERICA, INC. ALL RIGHTS RESERVED. PROPRIETARY AND CONFIDENTIAL INFORMATION - THIS DOCUMENT IS THE PROPERTY OF REGAL BELOIT AMERICA, INC. ("OWNER") AND CONTAINS OWNER'S PROPRIETARY INFORMATION. ANY PERSON, CORPORATION OR OTHER FIRM RECEIVING IT IS DEEMED, BY RECEIVING IT, TO AGREE THAT IT, AND/OR ANY PART OF IT, SHALL NOT BE DISCLOSED TO ANY PERSON, CORPORATION OR OTHER ENTITY, DUPLICATED, AND/OR USED, EXCEPT AS EXPRESSLY APPROVED IN WRITING IN ADVANCE BY OWNER. THIS DOCUMENT SHALL BE RETURNED TO OWNER UPON REQUEST. IT MAY BE SUBJECT TO CERTAIN RESTRICTIONS UNDER APPLICABLE EXPORT CONTROL LAWS AND REGULATIONS.</small>		

PRIMARY DIMENSIONS ARE INCH
mm DIMENSIONS IN [BRACKETS]
ARE FOR REFERENCE ONLY

DRAWN BY DA
DATE 03-26-1993
APPROVED BY TB
DATE 03-26-1993
REFERENCE
THIRD ANGLE PROJECTION

		Regal Beloit America, Inc.	
DESCRIPTION CONNECTION DIAGRAM EXTERNAL - SINGLE VOLTAGE - 3Ø MOTOR			
MATERIAL		PROCESS/FINISH	
SIZE A	DRAWING NUMBER EE7300		SHEET 1 OF 1



**P.O. BOX 8003
WAUSAU, WI 54401-8003
PH. 715-675-3311**

CERTIFICATION DATA SHEET

CUSTOMER:

CUSTOMER

ORDER #:

PO#:

CONN. DIAGRAM: EE7300

MODEL #: 215TTDBD6092 AA

OUTLINE: SS620792

CUSTOMER PART

WINDING #: HE31326017 3

#:

MOUNTING: F1/F2 CAPABLE

TYPICAL MOTOR PERFORMANCE DATA

HP	kW	SYNC. RPM	F.L. RPM	FRAME	ENCLOSURE	KVA CODE	DESIGN
5	3.70	1200	1181	215JMV	DP	J	B

PH	Hz	VOLTS	AMPS	START TYPE	DUTY	INSL	S.F.	AMB°C
3	60	575	5.5	LINE OR INVERTER	CONTINUOUS	F7	1.15	40

FULL LOAD EFF:	89.1	3/4 LOAD EFF:	90.1	1/2 LOAD EFF:	84.5	GTD. EFF		ELEC. TYPE	
FULL LOAD PF:	76.4	3/4 LOAD PF:	70.7	1/2 LOAD PF:	62.8	88.5	SQ CAGE INV RATED		

F.L. TORQUE	LOCKED ROTOR AMPS	L.R. TORQUE	B.D. TORQUE	F.L. RISE°C
22.3 LB-FT	38.4	37 LB-FT 166 %	59 LB-FT 265 %	30

SOUND PRESSURE @ 3 FT.	SOUND POWER	ROTOR WK^2	MAX. WK^2	SAFE STALL TIME	STARTS / HOUR	APPROX. MOTOR WGT
62 dBA	72 dBA	1.1 LB-FT^2	75 LB-FT^2	20 SEC.	2	200 LBS.

***** SUPPLEMENTAL INFORMATION *****

DE BRACKET TYPE	ODE BRACKET TYPE	MOUNT TYPE	ORIENTATION	SEVERE DUTY	HAZARDOUS LOCATION	DRIP COVER	SCREENS	PAINT
C-FACE	STANDARD	RIGID	HORIZONTAL OR SHAFT DOWN	FALSE	NONE	FALSE	NONE	BLUE (ENAMEL)

BEARINGS		GREASE	SHAFT TYPE	SPECIAL DE	SPECIAL ODE	SHAFT MATERIAL	FRAME MATERIAL
DE	ODE						
BALL	BALL	POLYREX EM	JM	NONE	NONE	1045 HOT ROLLED (C-204)	ROLLED STEEL
6307	6206						

THERMO-PROTECTORS				THERMISTORS	CONTROL	SPACE HEATERS
THERMOSTATS	PROTECTORS	WDG RTDs	BRG RTDs			
NONE	NOT	NONE	NONE	NONE	FALSE	NONE VOLTS

*
N
O
T
E
S

INVERTER TORQUE: CONSTANT 4:1/VARIABLE 20:1 INV. HP SPEED RANGE: NONE
ENCODER: NONE NONE NONE NONE NONE PPR
BRAKE: NONE NONE NONE P/N NONE NONE NONE NONE FT-LB NONE V NONE Hz

Data Sheet

Date: 12/2/2021
 Customer: _____
 Attention: _____
 Submitted by: _____



215TTDBD6092

Submittal

Data @ 575 V

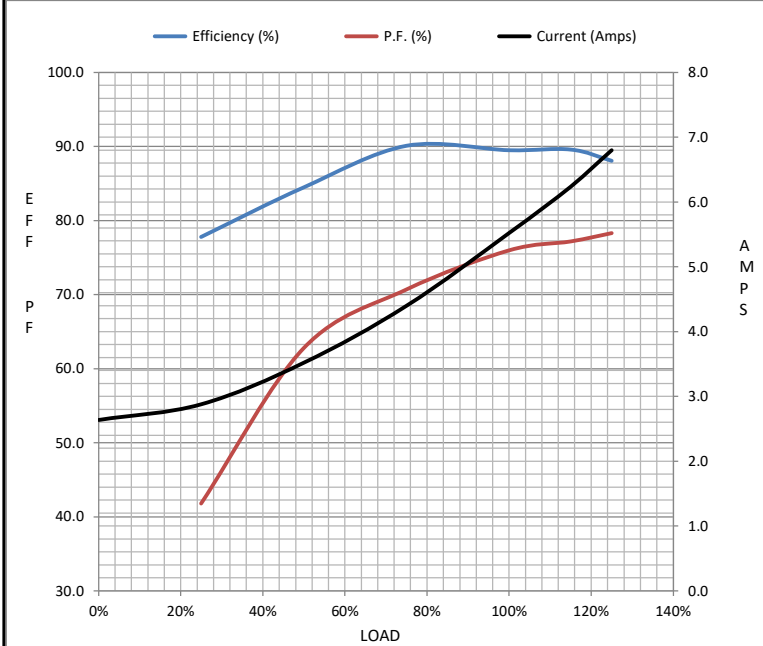
Motor Load Data

Load	0%	25%	50%	75%	100%	115%	125%	LR
Current (Amps)	2.64	2.88	3.5	4.4	5.5	6.2	6.8	38.4
Torque (ft-lb)	0.00	5.5	11.0	16.6	22.3	25.7	28.0	37.0
RPM	1200	1195	1190	1185	1180	1,178	1174	0
Efficiency (%)		77.8	84.5	90.1	89.5	89.6	88.1	
P.F. (%)	11.4	41.8	62.8	70.7	76.0	77.2	78.3	38.0

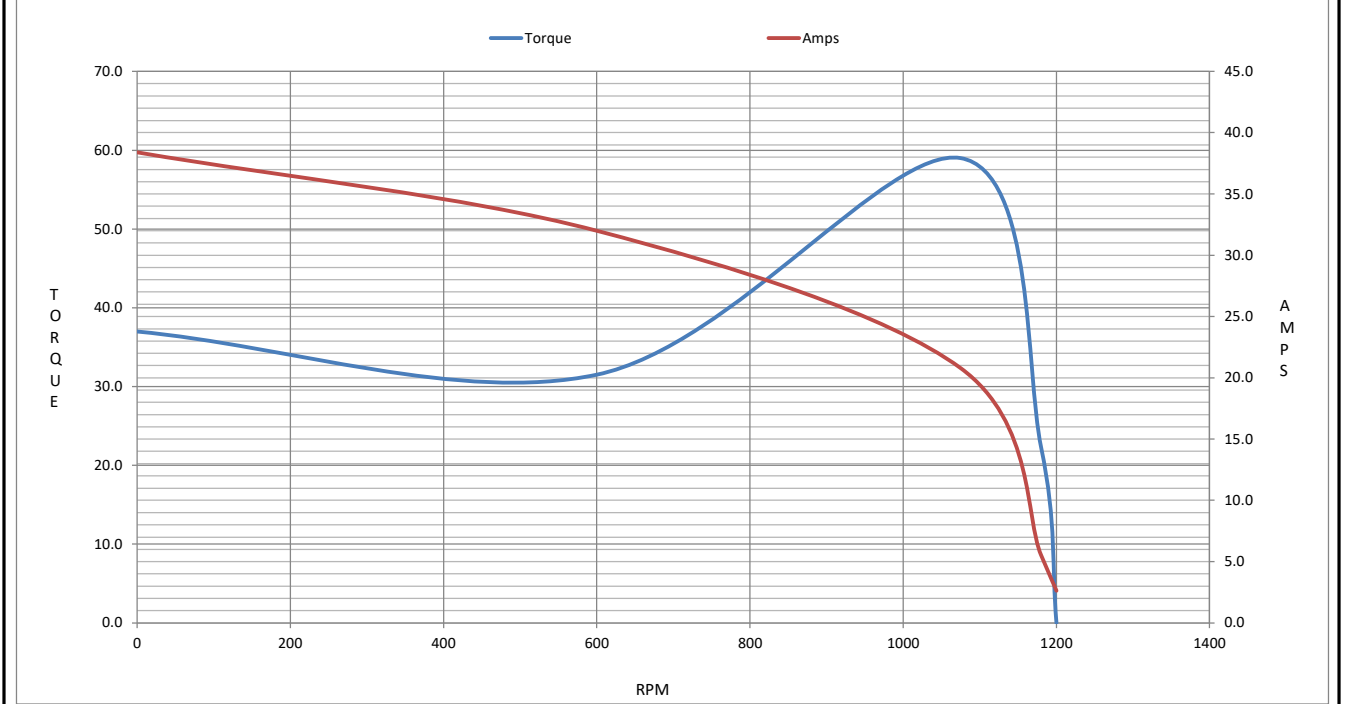
Motor Speed Data

	LR	Pull-Up	BD	Rated	Idle
Speed (RPM)	0	600	1075	1180	1200
Current (Amps)	38.4	32.0	20.8	5.5	2.64
Torque (ft-lb)	37.0	31.5	59.0	22.3	0.00

Information Block				
HP	5.0			
Sync. RPM	1200			
Frame	215			
Enclosure	DP			
Construction	TDB			
Voltage	575 V			
Frequency	60 Hz			
Design	B			
LR Code letter	J			
Service Factor	1.15			
Temp Rise @ FL	35 ° C			
Duty	CONT			
Ambient	40 ° C			
Elevation	3,300 feet			
Rotor/Shaft wk ²	1.10 Lb-F ²			
Ref Wdg	HA31326017 NONE			
Sound Pressure @ 1M	62 dBA			
VFD Rating	CONSTANT 4:1/VARIABLE 20:1			
Outline Dwg	SS620792			
Conn. Diag	EE7300			
Additional Specifications:				
0				
0				
EQUIV CKT (OHMS / PHASE)				
R1	R2	X1	X2	Xm
1.9490	1.0720	7.3000	10.4360	119.9560



Speed - Torque Curve



EC Declaration of Conformity

The undersigned representing
the manufacturer:

Regal Beloit America
100 East Randolph St.
Wausau, WI 54401

and the authorized representative
established within the Community:

Marathon Electric UK
6F Thistleton Road Ind. Estate
Market Overton
Oakham, Rutland LE15 7PP UK

are committed to providing customers with products that comply with applicable regulations and international protocols to which they are subject, including the requirements of the European Parliament Directive on the Harmonization of the laws relating to electrical equipment designed for use within certain voltage limits (2014/35/EU).

Regal Beloit America declares that the following product(s), to which this declaration relates, are in conformity with the relevant sections of the EC standards listed below.

This statement supersedes any statements previously issued pertaining to the product(s) listed below and is subject to change without notice.

Model No : 215TTDBD6092

(Model No. may contain prefix and/or suffix characters)

Catalog No : GT0514A

Rework No : N/A

Directives :

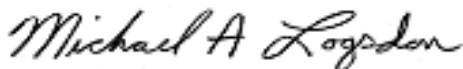
Low Voltage Directive 2014/35/EU

Harmonized Standards Used :

EN 60034-1: 2010 (IEC 60034-1: 2010)

EN 60034-5: 2001/A1:2007 (IEC 60034-5: 2000/A1:2006)

Authorized Representative:



Michael A. Logsdon
Vice President, Technology

Authorized Representative in the Community:



Julian Clark
Marketing Engineer

Created on 09/01/2022

CE 22