

PRODUCT INFORMATION PACKET

Model No: 213TTDBD6033

Catalog No: GT0516A

Close-Coupled Pump Motor, 7.50 HP, 3 Ph, 60 Hz, 575 V, 1800 RPM, 213JM Frame, DP



Regal and are trademarks of Regal Rexnord Corporation or one of its affiliated companies.
©2022 Regal Rexnord Corporation, All Rights Reserved. MC017097E

RegalRexnord

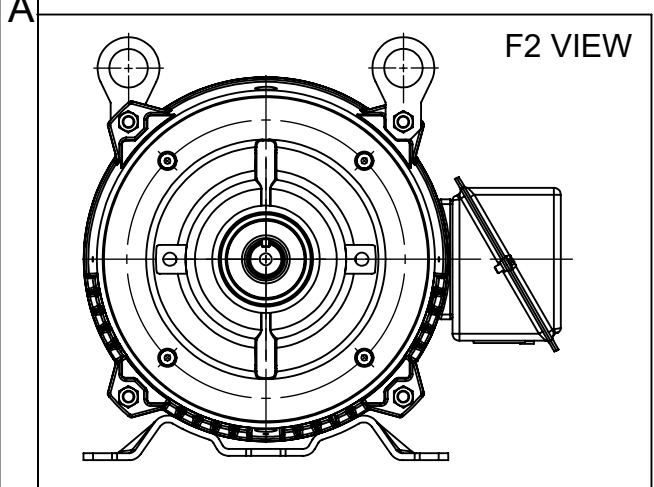
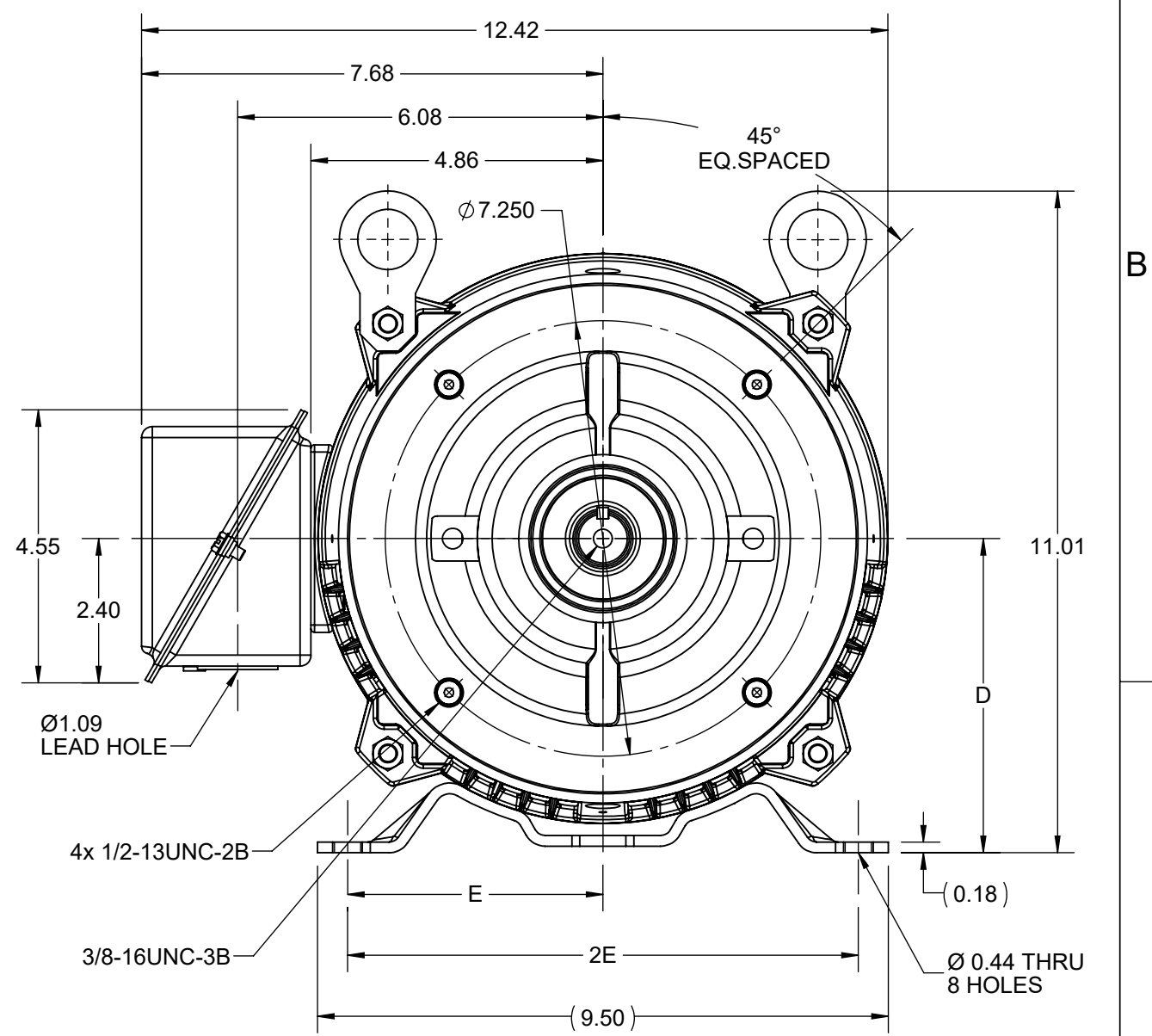
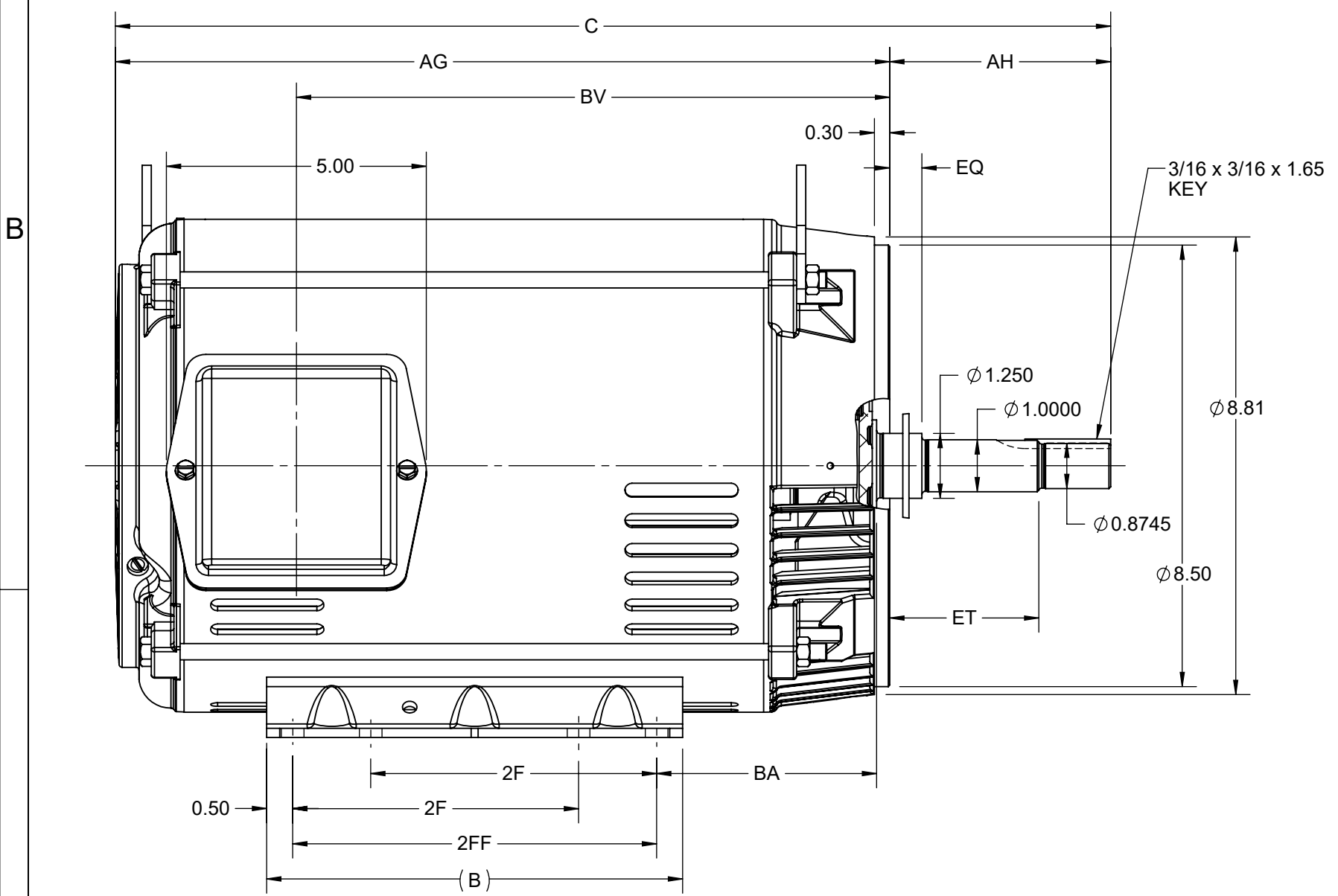
Nameplate Specifications

| | | | |
|------------------------|----------------------|----------------------------|-------------------|
| Output HP | 7.50 Hp | Output KW | 5.6 kW |
| Frequency | 60 Hz | Voltage | 575 V |
| Current | 7.9 A | Speed | 1766 rpm |
| Service Factor | 1.15 | Phase | 3 |
| Efficiency | 91 % | Power Factor | 77.3 |
| Duty | Continuous | Insulation Class | F |
| Design Code | B | KVA Code | H |
| Frame | 213JM | Enclosure | Drip Proof |
| Thermal Protection | No Protection | Ambient Temperature | 40 °C |
| Drive End Bearing Size | 6309 | Opp Drive End Bearing Size | 6206 |
| UL | Recognized | CSA | Y |
| CE | Y | IP Code | 22 |
| Number of Speeds | 1 | | |

Technical Specifications

| | | | |
|-----------------------|-------------------------------------|-----------------------|-------------------------|
| Electrical Type | Squirrel Cage Inverter Rated | Starting Method | Line Or Inverter |
| Poles | 4 | Rotation | Reversible |
| Resistance Main | 1.698 Ohms | Mounting | Rigid Base |
| Motor Orientation | Horizontal | Drive End Bearing | Ball |
| Opp Drive End Bearing | Ball | Frame Material | Rolled Steel |
| Shaft Type | JM | Overall Length | 19.22 in |
| Frame Length | 11.15 in | Shaft Diameter | 0.874 in |
| Shaft Extension | 4.25 in | Assembly/Box Mounting | F1/F2 CAPABLE |
| Inverter Load | CONSTANT 10:1/VARIABLE 10:1 | | |
| Outline Drawing | SS620792 | Connection Drawing | EE7300 |

| | | | | | | | | | | | | | |
|------|-------|------|------|------|------|------|-------|------|-------|------|------|------|----------|
| 4 | | | | 3 | | | | 2 | | | | 1 | |
| B | C | D | E | 2E | 2F | 2FF | AG | AH | BV | BA | EQ | ET | MOUNTING |
| 8.00 | 19.15 | 5.25 | 4.25 | 8.50 | 5.50 | 7.00 | 14.90 | 4.25 | 11.42 | 4.25 | 0.62 | 2.87 | F1 OR F2 |



| | | |
|-----------------------------------------------------------------------------------------------------------------------------------------------------------------------------------------------------------------------------------------------------------------------------------------------------------------------------------------------------------------------------------------------------------------------------------------------------------------------------------------------------------------------------------------------------------------------------------------------------------------------------------------------------------------------------------------------------|-----------------------|-------------------------------|
| DRAWING REVISION E | REVISION BY GOPI J | REV DATE/© DATE 09/05/2022 |
| REQUEST NUMBER CR-0008840 | APPROVED BY GNK | DATE 09/05/2022 |
| REQUEST NUMBER DESCRIPTION FRAME AND CONDUIT BOX PART # UPDATED AS PER CR | | |
| <small>COPYRIGHT (PER REVISION DATE) REGAL BELOIT AMERICA, INC. ALL RIGHTS RESERVED. PROPRIETARY AND CONFIDENTIAL INFORMATION - THIS DOCUMENT IS THE PROPERTY OF REGAL BELOIT AMERICA, INC. ("OWNER") AND CONTAINS OWNER'S PROPRIETARY INFORMATION. ANY PERSON, CORPORATION OR OTHER FIRM RECEIVING IT IS DEEMED, BY RECEIVING IT, TO AGREE THAT IT, AND/OR ANY PART OF IT, SHALL NOT BE DISCLOSED TO ANY PERSON, CORPORATION OR OTHER ENTITY, DUPLICATED, AND/OR USED, EXCEPT AS EXPRESSLY APPROVED IN WRITING IN ADVANCE BY OWNER. THIS DOCUMENT SHALL BE RETURNED TO OWNER UPON REQUEST. IT MAY BE SUBJECT TO CERTAIN RESTRICTIONS UNDER APPLICABLE EXPORT CONTROL LAWS AND REGULATIONS.</small> | | |

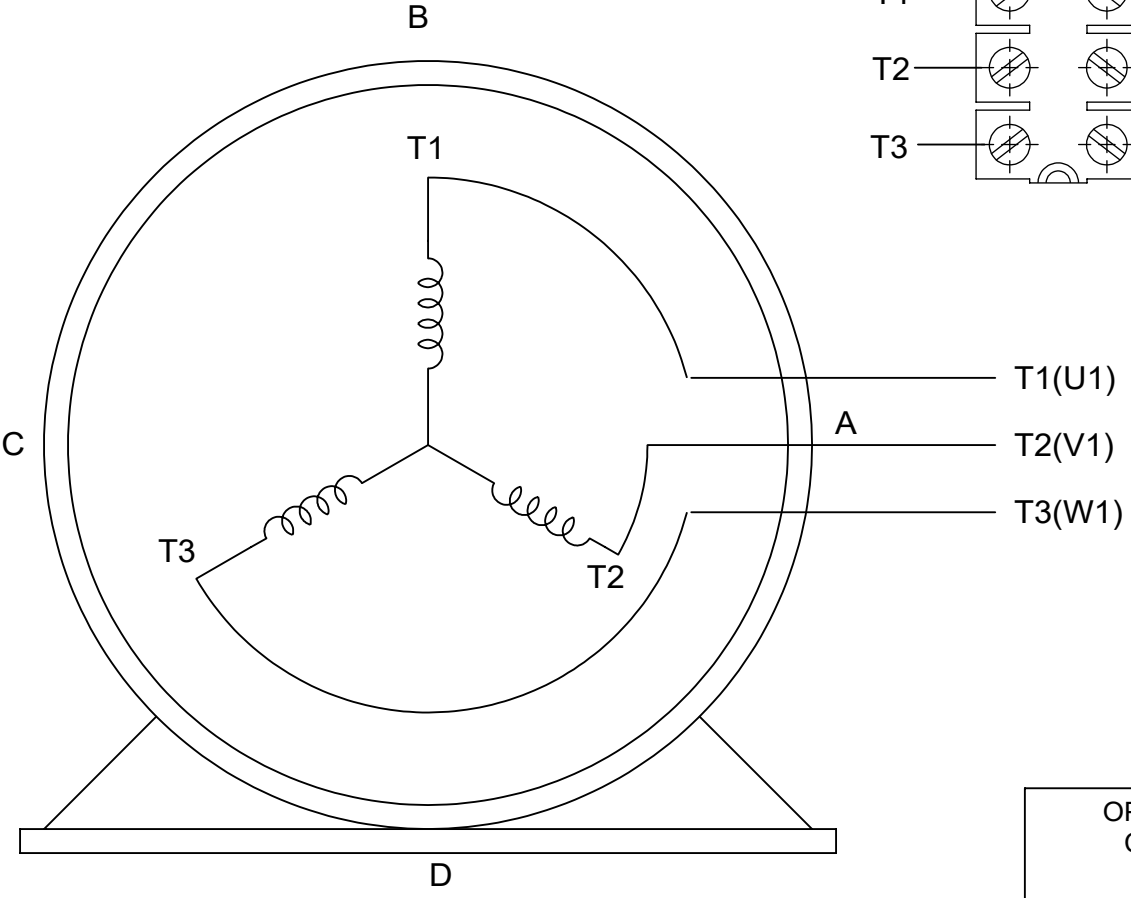
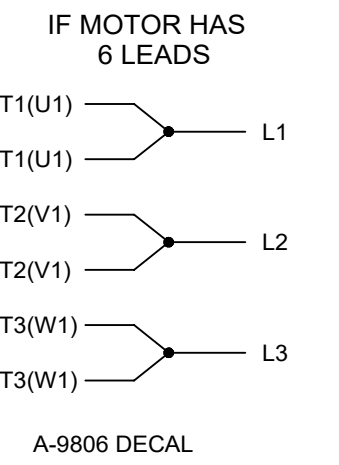
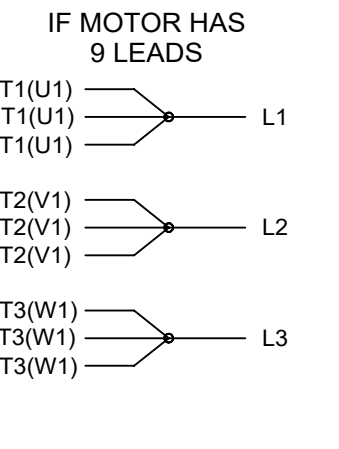
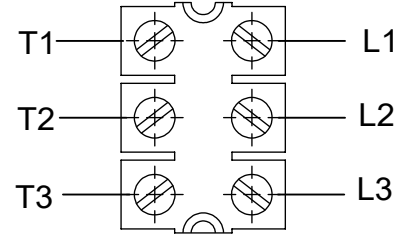
PRIMARY DIMENSIONS ARE INCH
mm DIMENSIONS IN [BRACKETS]
ARE FOR REFERENCE ONLY

| | |
|------------------------|-----------------------------------------------------------|
| DRAWN BY ZXY | Regal Beloit America, Inc. |
| DATE 04/01/2017 | |
| APPROVED BY CL | DESCRIPTION OUTLINE 213/215JM FR NEMA ODP RS |
| DATE 04/01/2017 | MATERIAL |
| REFERENCE | PROCESS/FINISH |
| THIRD ANGLE PROJECTION | SIZE B |
| | DRAWING NUMBER SS620792 |
| | SHEET 1 OF 1 |

THREE PHASE - SINGLE VOLTAGE
MOTOR - CONDUIT BOX @ 'A'

TERMINAL BLOCK WHEN SPECIFIED

TO REVERSE ROTATION:
INTERCHANGE ANY TWO LINE
LEAD CONNECTIONS



VIEW OF TERMINAL END

OPTIONAL CORD CONNECTION

| | |
|----|-------|
| L1 | WHITE |
| L2 | RED |
| L3 | BLACK |

| | | |
|-----------------------------------------------------------------------------------------------------------------------------------------------------------------------------------------------------------------------------------------------------------------------------------------------------------------------------------------------------------------------------------------------------------------------------------------------------------------------------------------------------------------------------------------------------------------------------------------------------------------------------------------------------------------------------------------------------|-------------------|-------------------------------|
| DRAWING REVISION AC | REVISION BY BS | REV DATE/© DATE 26/07/2022 |
| REQUEST NUMBER CR-0010402 | APPROVED BY SN | DATE 26/07/2022 |
| REQUEST NUMBER DESCRIPTION DRAWING UPDATED | | |
| <small>COPYRIGHT (PER REVISION DATE) REGAL BELOIT AMERICA, INC. ALL RIGHTS RESERVED. PROPRIETARY AND CONFIDENTIAL INFORMATION - THIS DOCUMENT IS THE PROPERTY OF REGAL BELOIT AMERICA, INC. ("OWNER") AND CONTAINS OWNER'S PROPRIETARY INFORMATION. ANY PERSON, CORPORATION OR OTHER FIRM RECEIVING IT IS DEEMED, BY RECEIVING IT, TO AGREE THAT IT, AND/OR ANY PART OF IT, SHALL NOT BE DISCLOSED TO ANY PERSON, CORPORATION OR OTHER ENTITY, DUPLICATED, AND/OR USED, EXCEPT AS EXPRESSLY APPROVED IN WRITING IN ADVANCE BY OWNER. THIS DOCUMENT SHALL BE RETURNED TO OWNER UPON REQUEST. IT MAY BE SUBJECT TO CERTAIN RESTRICTIONS UNDER APPLICABLE EXPORT CONTROL LAWS AND REGULATIONS.</small> | | |

PRIMARY DIMENSIONS ARE INCH
mm DIMENSIONS IN [BRACKETS]
ARE FOR REFERENCE ONLY

| |
|------------------------|
| DRAWN BY DA |
| DATE 03-26-1993 |
| APPROVED BY TB |
| DATE 03-26-1993 |
| REFERENCE |
| THIRD ANGLE PROJECTION |

| | | | |
|----------------------------------------------------------------------------------|---------------------------------|----------------------------|-----------------|
| | | Regal Beloit America, Inc. | |
| DESCRIPTION CONNECTION DIAGRAM EXTERNAL - SINGLE VOLTAGE - 3Ø MOTOR | | | |
| MATERIAL | | PROCESS/FINISH | |
| SIZE A | DRAWING NUMBER EE7300 | | SHEET 1 OF 1 |



**P.O. BOX 8003
WAUSAU, WI 54401-8003
PH. 715-675-3311**

CERTIFICATION DATA SHEET

CUSTOMER:

CUSTOMER PO#:

ORDER #:

MODEL #: 213TTDBD6033 AA

CONN. DIAGRAM: EE7300

CUSTOMER PART #:

OUTLINE: SS620792

MOUNTING: F1/F2 CAPABLE

WINDING #: HE31324018 4

TYPICAL MOTOR PERFORMANCE DATA

| HP | kW | SYNC. RPM | F.L. RPM | FRAME | ENCLOSURE | KVA CODE | DESIGN |
|-------|------|-----------|----------|-------|-----------|----------|--------|
| 7 1/2 | 5.60 | 1800 | 1766 | 213JM | DP | H | B |

| PH | Hz | VOLTS | AMPS | START TYPE | DUTY | INSL | S.F. | AMB°C |
|----|----|-------|------|------------------|------------|------|------|-------|
| 3 | 60 | 575 | 7.9 | LINE OR INVERTER | CONTINUOUS | F3 | 1.15 | 40 |

| FULL LOAD EFF: | 91 | 3/4 LOAD EFF: | 91.5 | 1/2 LOAD EFF: | 90 | GTD. EFF | | ELEC. TYPE | |
|----------------|------|---------------|------|---------------|------|----------|--|-------------------|--|
| FULL LOAD PF: | 77.3 | 3/4 LOAD PF: | 72.2 | 1/2 LOAD PF: | 60.8 | 90.2 | | SQ CAGE INV RATED | |

| F.L. TORQUE | LOCKED ROTOR AMPS | L.R. TORQUE | B.D. TORQUE | F.L. RISE°C |
|-------------|-------------------|----------------|----------------|-------------|
| 22.3 LB-FT | 48 | 44 LB-FT 197 % | 57 LB-FT 256 % | 40 |

| SOUND PRESSURE @ 3 FT. | SOUND POWER | ROTOR WK^2 | MAX. WK^2 | SAFE STALL TIME | STARTS / HOUR | APPROX. MOTOR WGT |
|------------------------|-------------|-------------|------------|-----------------|---------------|-------------------|
| 47 dBA | 57 dBA | 9.8 LB-FT^2 | 50 LB-FT^2 | 20 SEC. | 2 | 135 LBS. |

***** SUPPLEMENTAL INFORMATION *****

| DE BRACKET TYPE | ODE BRACKET TYPE | MOUNT TYPE | ORIENTATION | SEVERE DUTY | HAZARDOUS LOCATION | DRIP COVER | SCREENS | PAINT |
|-----------------|------------------|------------|-------------|-------------|--------------------|------------|---------|---------------|
| C-FACE | STANDARD | RIGID | HORIZONTAL | FALSE | NONE | FALSE | NONE | BLUE (ENAMEL) |

| BEARINGS | | GREASE | SHAFT TYPE | SPECIAL DE | SPECIAL ODE | SHAFT MATERIAL | FRAME MATERIAL |
|----------|------|------------|------------|------------|-------------|-------------------------|----------------|
| DE | ODE | | | | | | |
| BALL | BALL | POLYREX EM | JM | NONE | NONE | 1045 HOT ROLLED (C-204) | ROLLED STEEL |
| 6307 | 6206 | | | | | | |

| THERMO-PROTECTORS | | | | THERMISTORS | CONTROL | SPACE HEATERS |
|-------------------|------------|----------|----------|-------------|---------|---------------|
| THERMOSTATS | PROTECTORS | WDG RTDs | BRG RTDs | | | |
| NONE | NOT | NONE | NONE | NONE | FALSE | NONE VOLTS |

| | |
|-------------------------------------------------------------|--------------------------------------------------------------------------------------------------|
| * N O T E S * | INVERTER TORQUE: CONSTANT 2:1/VARIABLE 20:1 INV. HP SPEED RANGE: NONE |
| | ENCODER: NONE NONE NONE NONE NONE PPR |
| | BRAKE: NONE NONE NONE P/N NONE NONE NONE NONE FT-LB NONE V NONE Hz |

PREPARED BY: Anusha Muthyala
DATE: 05/28/2018 06:49:09 AM
 FORM 3531 REV.3 02/07/99
 ** Subject to change without notice.

Data Sheet

Date: 12/2/2021
 Customer: _____
 Attention: _____
 Submitted by: _____



213TTDBD6033

Submittal

Data @ 575 V

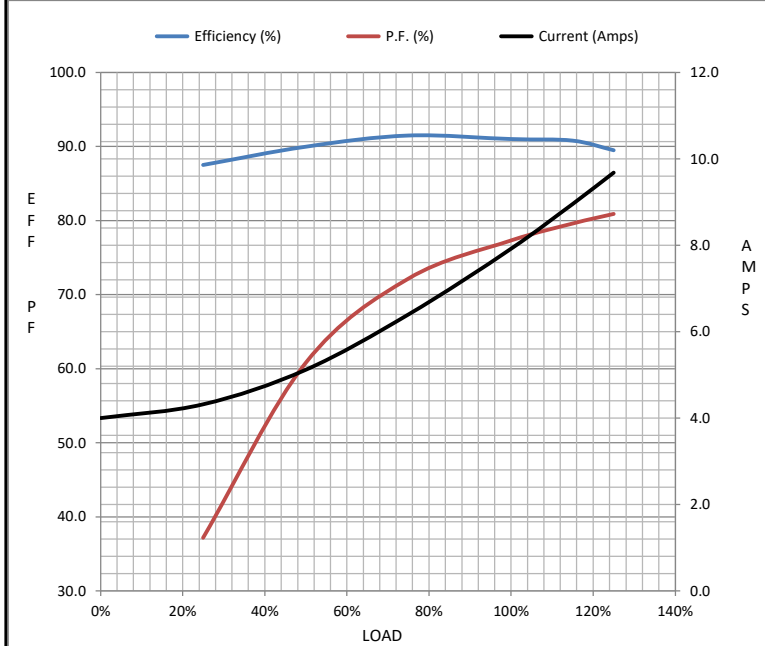
Motor Load Data

| Load | 0% | 25% | 50% | 75% | 100% | 115% | 125% | LR |
|----------------|------|------|------|------|------|-------|------|------|
| Current (Amps) | 4.0 | 4.3 | 5.1 | 6.4 | 7.9 | 9.0 | 9.7 | 48.0 |
| Torque (ft-lb) | 0.00 | 5.5 | 11.0 | 16.7 | 22.3 | 25.8 | 28.0 | 49.7 |
| RPM | 1800 | 1792 | 1785 | 1775 | 1766 | 1,760 | 1755 | 0 |
| Efficiency (%) | | 87.5 | 90.0 | 91.5 | 91.0 | 90.8 | 89.5 | |
| P.F. (%) | 11.3 | 37.2 | 60.8 | 72.2 | 77.3 | 79.6 | 80.9 | 45.0 |

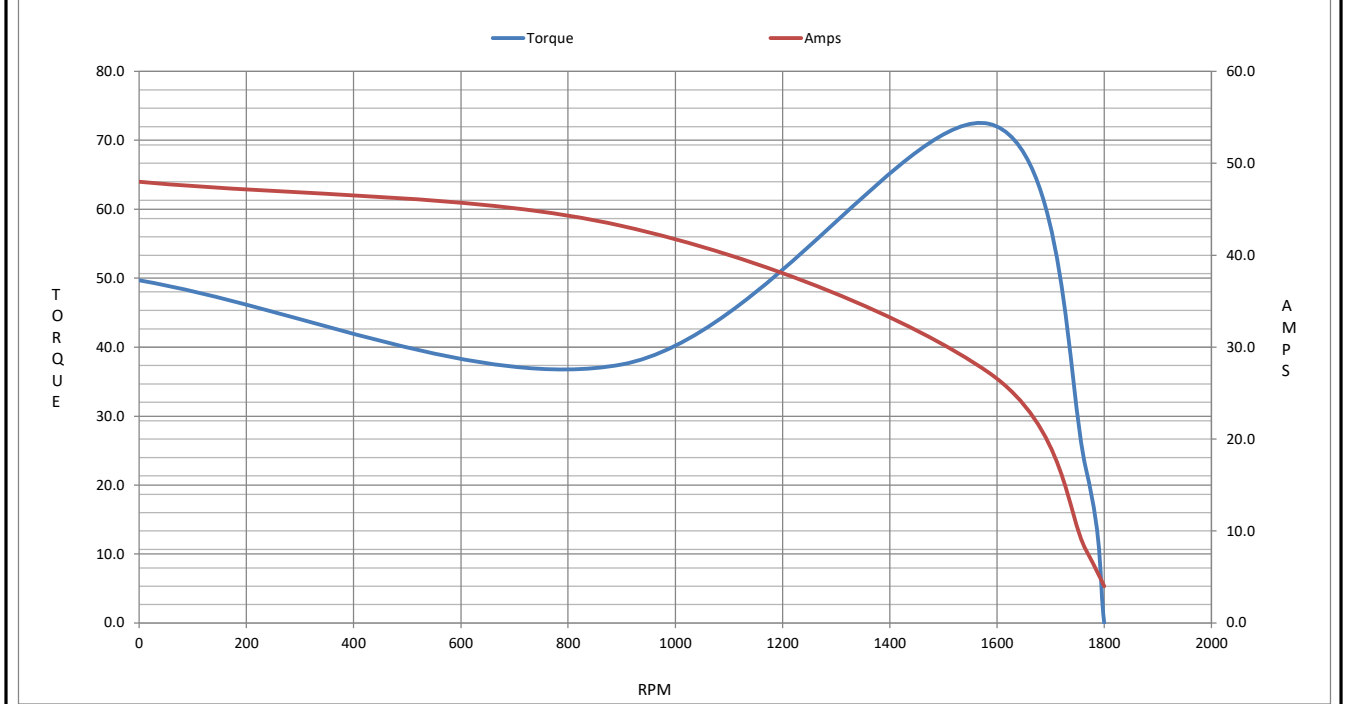
Motor Speed Data

| | LR | Pull-Up | BD | Rated | Idle |
|----------------|------|---------|------|-------|------|
| Speed (RPM) | 0 | 900 | 1585 | 1766 | 1800 |
| Current (Amps) | 48.0 | 43.2 | 27.2 | 7.9 | 4.0 |
| Torque (ft-lb) | 49.7 | 37.5 | 72.4 | 22.3 | 0.00 |

| Information Block | | | | |
|-----------------------------|----------------------------|--------|--------|---------|
| HP | 7.5 | | | |
| Sync. RPM | 1800 | | | |
| Frame | 213 | | | |
| Enclosure | DP | | | |
| Construction | TDB | | | |
| Voltage | 575 V | | | |
| Frequency | 60 Hz | | | |
| Design | B | | | |
| LR Code letter | H | | | |
| Service Factor | 1.15 | | | |
| Temp Rise @ FL | 40 ° C | | | |
| Duty | CONT | | | |
| Ambient | 40 ° C | | | |
| Elevation | 3,300 feet | | | |
| Rotor/Shaft wk ² | 9.8 Lb-F ² | | | |
| Ref Wdg | HA31324018 NONE | | | |
| Sound Pressure @ 1M | 47 dBA | | | |
| VFD Rating | CONSTANT 2:1/VARIABLE 20:1 | | | |
| Outline Dwg | SS620792 | | | |
| Conn. Diag | EE7300 | | | |
| Additional Specifications: | | | | |
| 0 | | | | |
| 0 | | | | |
| EQUIV CKT (OHMS / PHASE) | | | | |
| R1 | R2 | X1 | X2 | Xm |
| 1.5710 | 0.8680 | 4.5010 | 4.8900 | 85.2270 |



Speed - Torque Curve



EC Declaration of Conformity

The undersigned representing
the manufacturer:

Regal Beloit America
100 East Randolph St.
Wausau, WI 54401

and the authorized representative
established within the Community:

Marathon Electric UK
6F Thistleton Road Ind. Estate
Market Overton
Oakham, Rutland LE15 7PP UK

are committed to providing customers with products that comply with applicable regulations and international protocols to which they are subject, including the requirements of the European Parliament Directive on the Harmonization of the laws relating to electrical equipment designed for use within certain voltage limits (2014/35/EU).

Regal Beloit America declares that the following product(s), to which this declaration relates, are in conformity with the relevant sections of the EC standards listed below.

This statement supersedes any statements previously issued pertaining to the product(s) listed below and is subject to change without notice.

Model No : 213TTDBD6033

(Model No. may contain prefix and/or suffix characters)

Catalog No : GT0516A

Rework No : N/A

Directives :

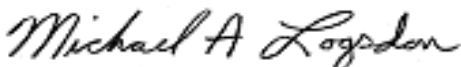
Low Voltage Directive 2014/35/EU

Harmonized Standards Used :

EN 60034-1: 2010 (IEC 60034-1: 2010)

EN 60034-5: 2001/A1:2007 (IEC 60034-5: 2000/A1:2006)

Authorized Representative:



Michael A. Logsdon
Vice President, Technology

Authorized Representative in the Community:



Julian Clark
Marketing Engineer

Created on 09/01/2022

CE 22