

PRODUCT INFORMATION PACKET

Model No: 182TTFC6001

Catalog No: GT1009

General Purpose Motor, 3 HP, 3 Ph, 60 Hz, 230/460 V, 3600 RPM, 182T Frame, TEFC



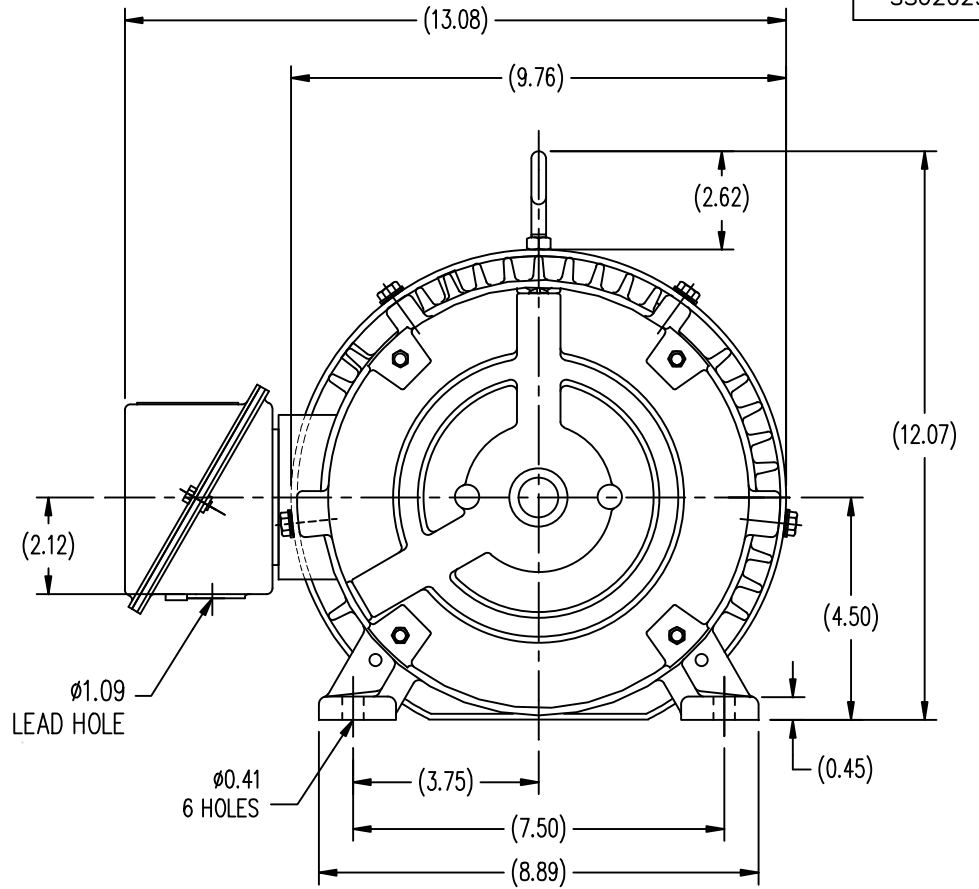
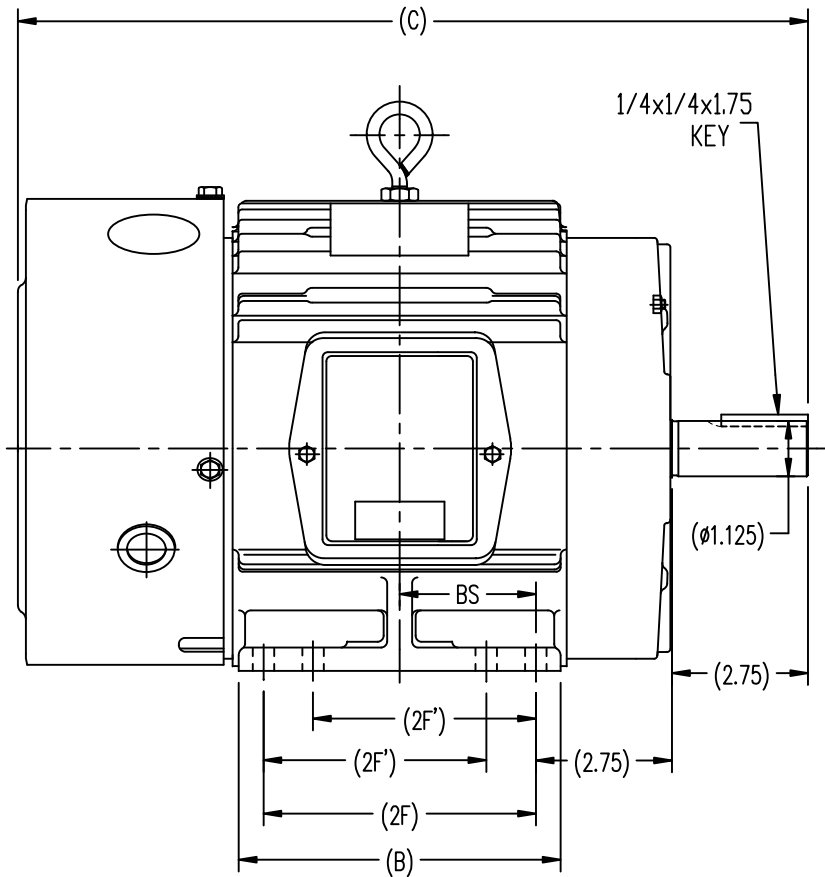
Regal and are trademarks of Regal Rexnord Corporation or one of its affiliated companies.
©2022 Regal Rexnord Corporation, All Rights Reserved. MC017097E

Nameplate Specifications

Output HP	3 Hp	Output KW	2.2 kW
Frequency	60 Hz	Voltage	230/460 V
Current	7.6/3.8 A	Speed	3532 rpm
Service Factor	1.15	Phase	3
Efficiency	86.5 %	Power Factor	86
Duty	Continuous	Insulation Class	F
Design Code	A	KVA Code	H
Frame	182T	Enclosure	Totally Enclosed Fan Cooled
Thermal Protection	No Protection	Ambient Temperature	40 °C
Drive End Bearing Size	6206	Opp Drive End Bearing Size	6205
UL	Recognized	CSA	Y
CE	Y	IP Code	43
Number of Speeds	1		

Technical Specifications

Electrical Type	Squirrel Cage Induction Run	Starting Method	Across The Line
Poles	2	Rotation	Reversible
Resistance Main	3.45 Ohms	Mounting	Rigid Base
Motor Orientation	Horizontal	Drive End Bearing	Ball
Opp Drive End Bearing	Ball	Frame Material	Cast Iron
Shaft Type	T	Overall Length	14.80 in
Shaft Diameter	1.125 in	Shaft Extension	2.75 in
Assembly/Box Mounting	F1/F2 Capable		
Connection Drawing	EE7308	Outline Drawing	SS620290-182T



182T	14.80	5.50	4.50	/	2.25
184T	15.81	6.55	5.50	4.50	2.75
FRAME	C	B	2F	2F'	BS

		TOLERANCES UNLESS SPECIFIED		REGAL-BELOIT CORPORATION		DRAWN HZJ 03-05-2010	
		DEC.	INCHES	REGAL-BELOIT CORPORATION		CHK ZYH 03-05-2010	
		.X	±.1	TITLE		APPD CL 03-05-2010	
		.XX	±.03	182/184T FR TEFC-CAST IRON		SCALE 1=2.5	
		.XXX	±.005	MAT'L		REF	
		.XXXX	±.0005	FINISH		FMF HWADA	
NO.	REVISION	BY & DATE	CHK	ANG	±1/2-	PREV	
THIS DRAWING IN DESIGN AND DETAIL IS OUR PROPERTY AND MUST NOT BE USED EXCEPT IN CONNECTION WITH OUR WORK. ALL RIGHTS OF DESIGN AND INVENTION ARE RESERVED. THIS IS AN ELECTRONICALLY GENERATED DOCUMENT - DO NOT SCALE THIS PRINT				RFP	CAD FILE	SS620290	SIZE B
				DIST		DRAWING NO.	REV.
						SS620290	

EE7308

THREE PHASE
DUAL VOLTAGE MOTOR



VIEW OF TERMINAL END

REF.
WINDING DIAGRAM

T8Y, T2Y, T2BL, T4BX, T2EC, T2G
T6BZ, T2B, T6BL, T4AV, T6B, T4B

OPTIONAL CORD
CONNECTION

L1 — WHITE
L2 — RED
L3 — BLACK

NO.	REVISION	BY & DATE	CHK	ANG	TOLERANCES UNLESS SPECIFIED		FINISH	DRAWN RM 11/20/1990				
					DEC.	INCHES						
5	CHG TO REGAL LOGO	SL 09/10/2015	AB					CHK ML 11/21/1990				
4	REVISED IEC NOTATIONS	MSG 11/15/2011	CMN	.X	±.1			APPD SAS 04/24/2003				
3	ADDED IEC NOTATIONS... (U1), (V1) ETC. MU95194	MSG 5/10/2010	MJS	.XX	±.02		TITLE CONNECTION DIAGRAM	SCALE 1=1				
2	ADDED THE OPTIONAL CORD CONNECTION MU46318	RDH 04/24/2003	DRS	.XXX	±.005		3Ø - DUAL VOLTAGE MOTOR	REF				
1	REDRAWN	RM 11/20/1990		.XXXX	±.0005		MAT'L.	FMF				
					±7'30"			PREV				
THIS DRAWING IN DESIGN AND DETAIL IS OUR PROPERTY AND MUST NOT BE USED EXCEPT IN CONNECTION WITH OUR WORK ALL RIGHTS OF DESIGN AND INVENTION ARE RESERVED THIS IS AN ELECTRONICALLY GENERATED DOCUMENT - DO NOT SCALE THIS PRINT							RFP	CAD FILE ee7308	SIZE A	DRAWING NO. EE7308	PAGE OF 5	REV. 5
							DIST WP					



Regal Beloit America, Inc.

Data Sheet

Date: 19-06-2017
 Customer: _____
 Attention: _____
 Submitted by: FAREEDA DUDEKULA



182TTC6001

Submittal

Data @ 460 V

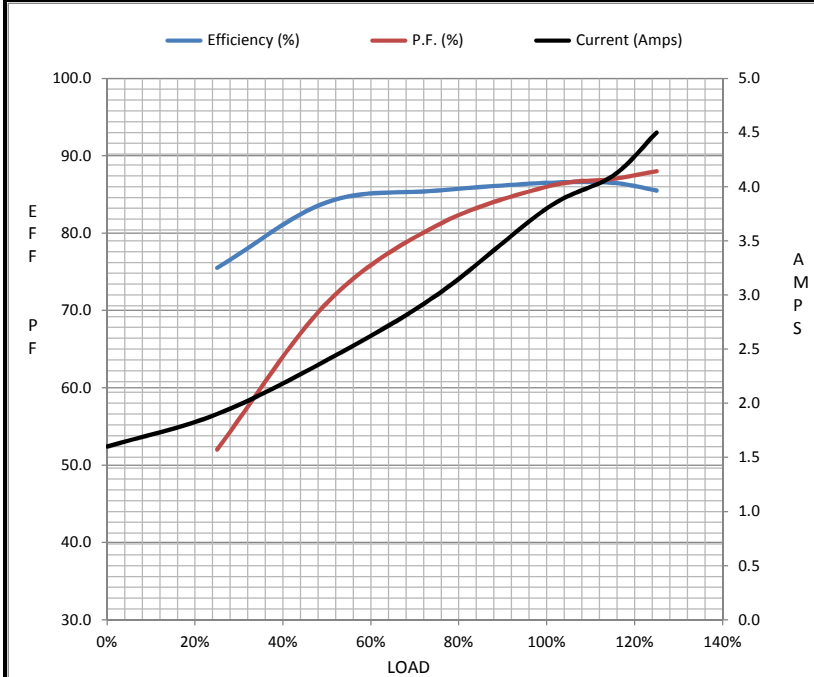
Motor Load Data

Load	0%	25%	50%	75%	100%	115%	125%	LR
Current (Amps)	1.60	1.90	2.40	3.0	3.8	4.1	4.5	25.0
Torque (ft-lb)	0.00	1.10	2.20	3.3	4.5	5.1	5.6	8.1
RPM	3600	3575	3555	3540	3532	3,520	3505	0
Efficiency (%)		75.5	84.0	85.5	86.5	86.5	85.5	
P.F. (%)	9.0	52.0	71.0	81.0	86.0	87.0	88.0	49.0

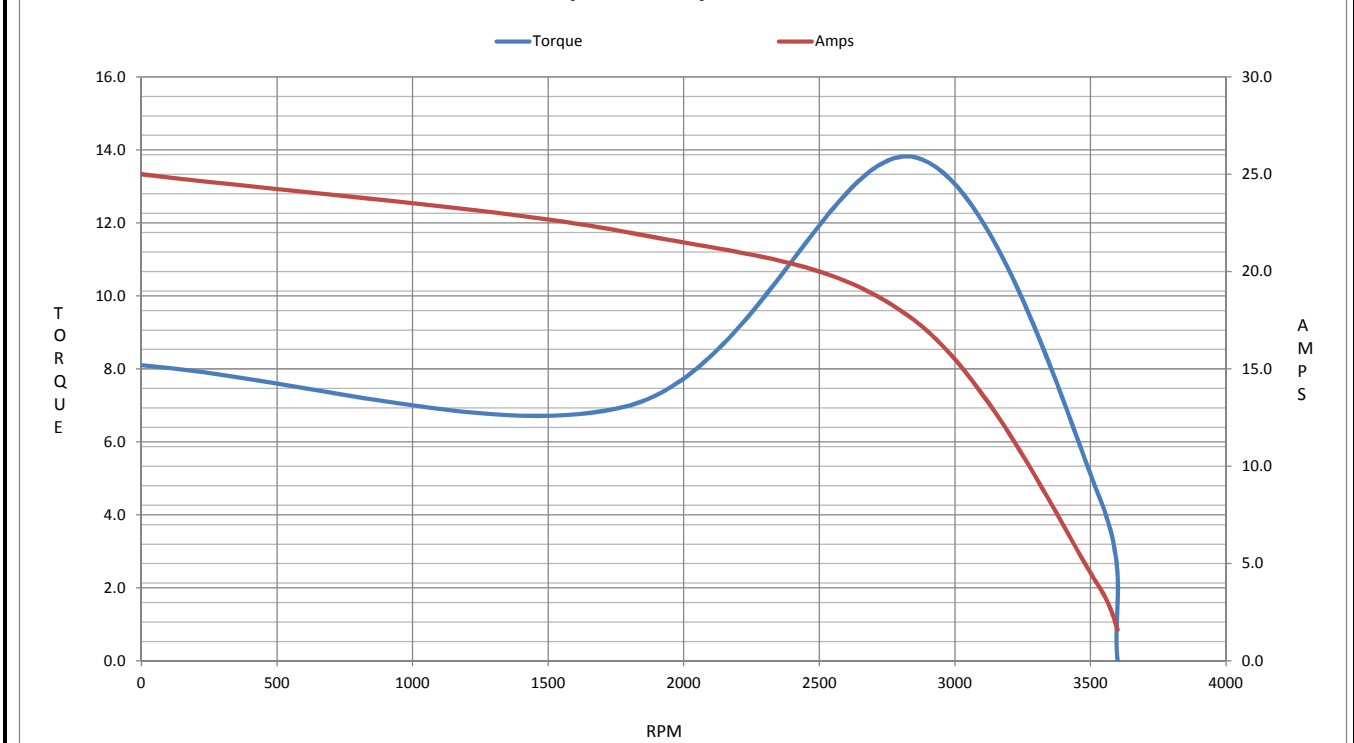
Motor Speed Data

	LR	Pull-Up	BD	Rated	Idle
Speed (RPM)	0	1800	2850	3532	3600
Current (Amps)	25.0	22.0	17.5	3.8	1.60
Torque (ft-lb)	8.1	7.0	13.8	4.5	0.00

Information Block				
HP	3.0			
Sync. RPM	3600			
Frame	182			
Enclosure	TEFC			
Construction	TFC			
Voltage	230/460#190/38(V)			
Frequency	60 Hz			
Design	B			
LR Code letter	L			
Service Factor	1.15			
Temp Rise @ FL	55 ° C			
Duty	CONT			
Ambient	40 ° C			
Elevation	1,000 feet			
Rotor/Shaft wk ²	0.20 Lb-Ft ²			
Ref Wdg	CHT18220005 NONE			
Sound Pressure @ 1M	72 dBA			
VFD Rating	NONE			
Outline Dwg	SS620290			
Conn. Diag	EE7308			
Additional Specifications:				
0				
365THFS8036				
EQUIV CKT (OHMS / PHASE)				
R1	R2	X1	X2	Xm
2.0810	1.4660	4.7300	2.1290	174.5370



Speed - Torque Curve



EC Declaration of Conformity

The undersigned representing
the manufacturer:

Regal Beloit America
100 East Randolph St.
Wausau, WI 54401

and the authorized representative
established within the Community:

Marathon Electric UK
6F Thistleton Road Ind. Estate
Market Overton
Oakham, Rutland LE15 7PP UK

are committed to providing customers with products that comply with applicable regulations and international protocols to which they are subject, including the requirements of the European Parliament Directive on the Harmonization of the laws relating to electrical equipment designed for use within certain voltage limits (2014/35/EU).

Regal Beloit America declares that the following product(s), to which this declaration relates, are in conformity with the relevant sections of the EC standards listed below.

This statement supersedes any statements previously issued pertaining to the product(s) listed below and is subject to change without notice.

Model No : 182TTFC6001

(Model No. may contain prefix and/or suffix characters)

Catalog No : GT1009

Rework No : N/A

Directives :

Low Voltage Directive 2014/35/EU

Harmonized Standards Used :

EN 60034-1: 2010 (IEC 60034-1: 2010)

EN 60034-5: 2001/A1:2007 (IEC 60034-5: 2000/A1:2006)

Authorized Representative:



Michael A. Logsdon
Vice President, Technology

Authorized Representative in the Community:



Julian Clark
Marketing Engineer

Created on 09/01/2022

CE 22