

PRODUCT INFORMATION PACKET

Model No: 256TTFC6001

Catalog No: GT1024A

General Purpose Motor, 20 HP, 3 Ph, 60 Hz, 230/460 V, 3600 RPM, 256T Frame, TEFC



Regal and are trademarks of Regal Rexnord Corporation or one of its affiliated companies.
©2022 Regal Rexnord Corporation, All Rights Reserved. MC017097E

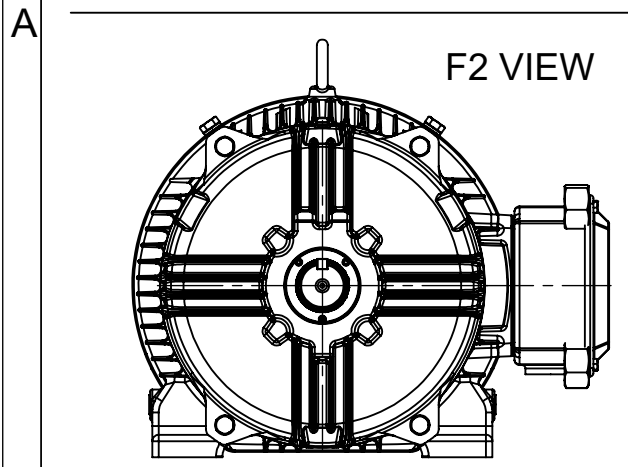
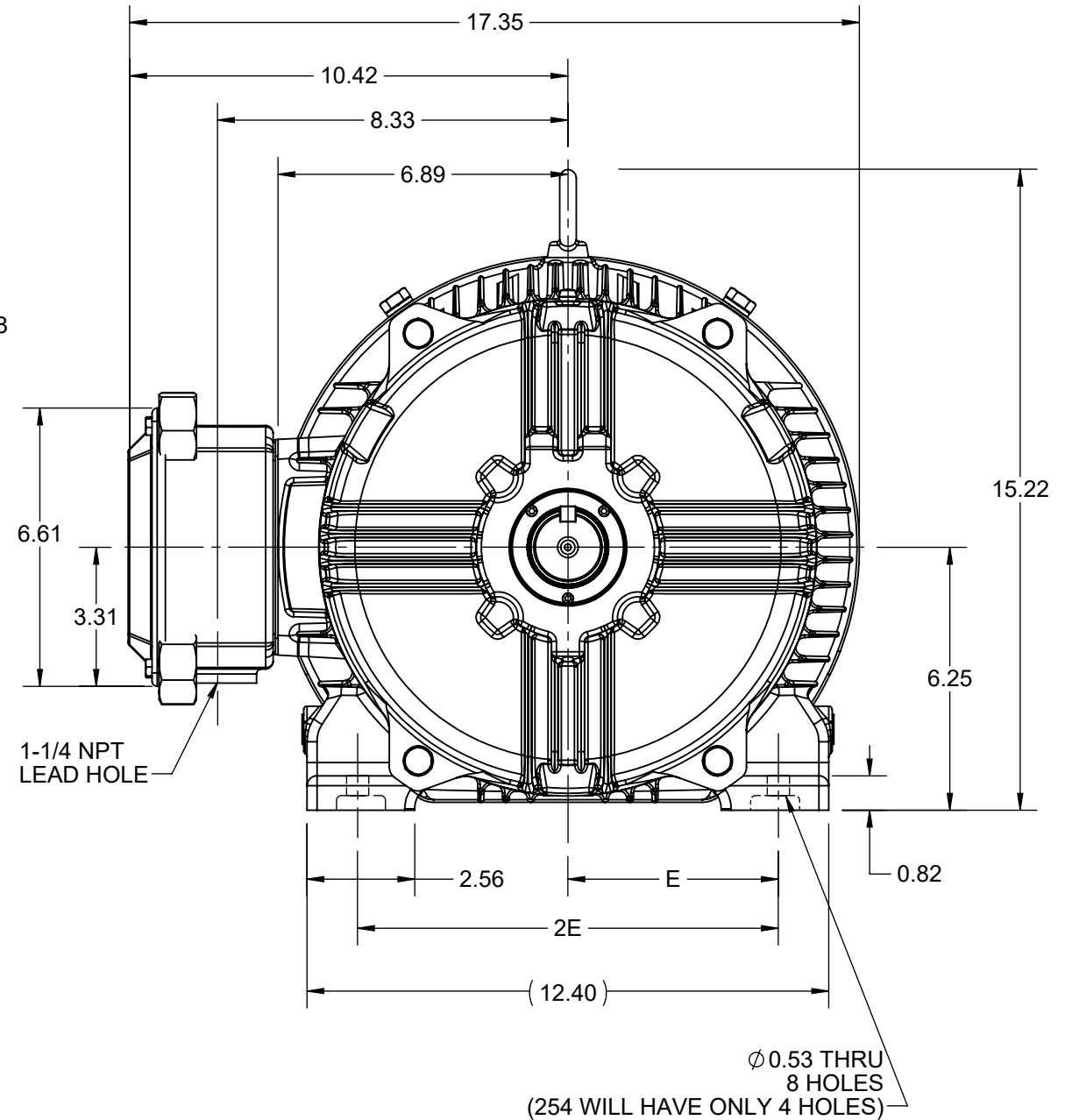
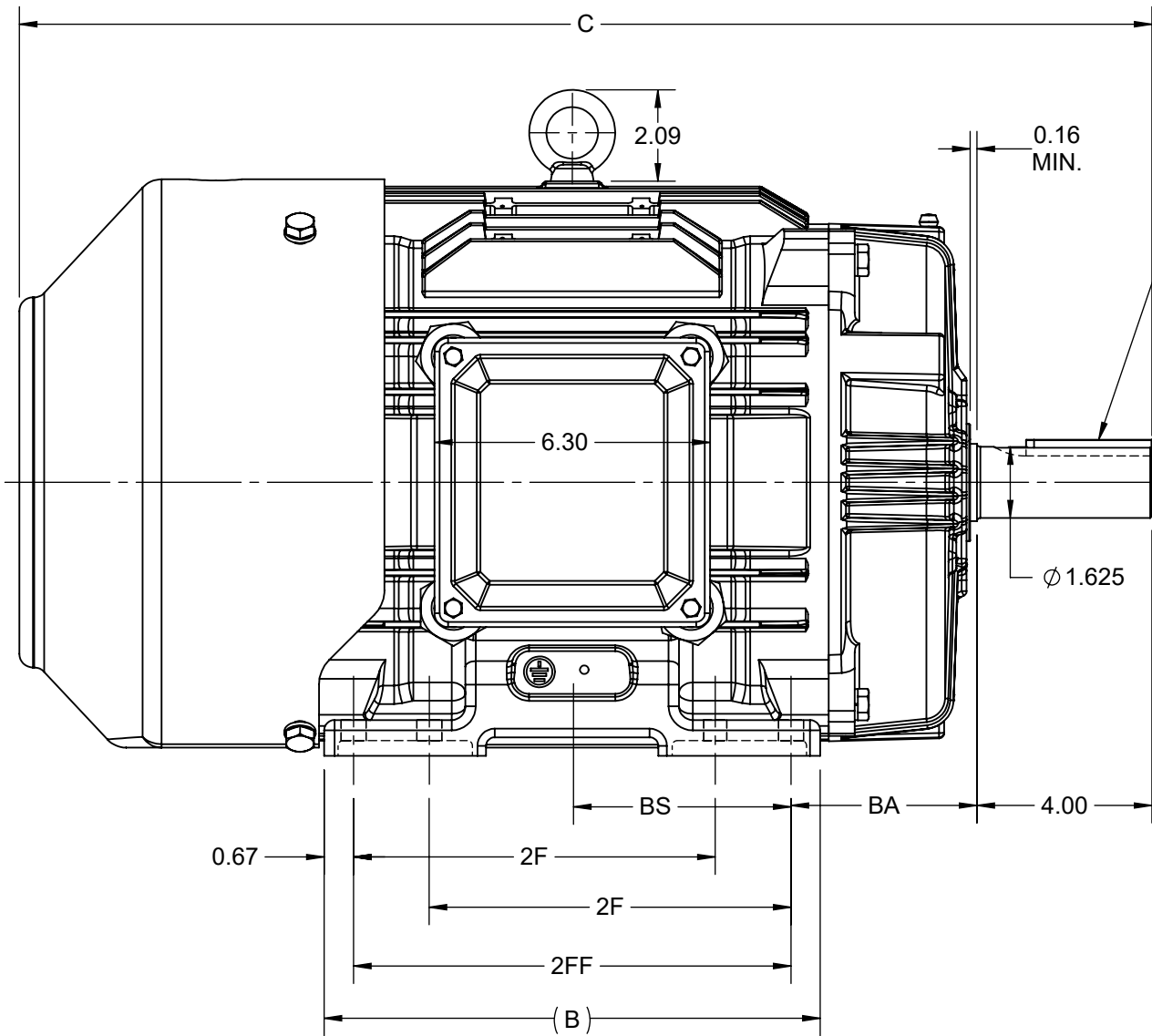
Nameplate Specifications

Output HP	20 Hp	Output KW	14.9 kW
Frequency	60 Hz	Voltage	230/460 V
Current	47.5/23.7 A	Speed	3540 rpm
Service Factor	1.15	Phase	3
Efficiency	91 %	Power Factor	87.5
Duty	Continuous	Insulation Class	F
Design Code	B	KVA Code	G
Frame	256T	Enclosure	Totally Enclosed Fan Cooled
Thermal Protection	No Protection	Ambient Temperature	40 °C
Drive End Bearing Size	6309	Opp Drive End Bearing Size	6209
UL	Listed	CSA	Y
CE	Y	IP Code	55
Hazardous Location	DIVISION 2 T2B	Number of Speeds	1

Technical Specifications

Electrical Type	Squirrel Cage Inverter Rated	Starting Method	Line Or Inverter
Poles	2	Rotation	Reversible
Resistance Main	.546 Ohms	Mounting	Rigid Base
Motor Orientation	Horizontal	Drive End Bearing	Ball
Opp Drive End Bearing	Ball	Frame Material	Cast Iron
Shaft Type	T	Overall Length	25.89 in
Shaft Diameter	1.625 in	Shaft Extension	4 in
Assembly/Box Mounting	F1/F2 CAPABLE	Inverter Load	CONSTANT 2:1/VARIABLE 10:1
Connection Drawing	EE7308K	Outline Drawing	SS620703-200

DASH NO.	4				3				MOUNTING	FRAME
	B	C	E	2E	2F	2FF	BA	BS		
100	9.60	24.15	5.00	10.00	-	8.25	4.25	4.13	F1 OR F2	254T
200	11.34	25.89			8.25	10.00				5.00



DRAWING REVISION D	REVISION BY SVP	REV DATE/© DATE 04/06/2021
ECO CR-0001991	APPROVED BY AK	DATE 04/06/2021
ECO DESCRIPTION DXF FILE RELEASED TO IDS		
<small>COPYRIGHT (PER REVISION DATE) REGAL BELOIT AMERICA, INC. ALL RIGHTS RESERVED. PROPRIETARY AND CONFIDENTIAL INFORMATION - THIS DOCUMENT IS THE PROPERTY OF REGAL BELOIT AMERICA, INC. ("OWNER") AND CONTAINS OWNER'S PROPRIETARY INFORMATION. ANY PERSON, CORPORATION OR OTHER FIRM RECEIVING IT IS DEEMED, BY RECEIVING IT, TO AGREE THAT IT, AND/OR ANY PART OF IT, SHALL NOT BE DISCLOSED TO ANY PERSON, CORPORATION OR OTHER ENTITY, DUPLICATED, AND/OR USED, EXCEPT AS EXPRESSLY APPROVED IN WRITING IN ADVANCE BY OWNER. THIS DOCUMENT SHALL BE RETURNED TO OWNER UPON REQUEST. IT MAY BE SUBJECT TO CERTAIN RESTRICTIONS UNDER APPLICABLE EXPORT CONTROL LAWS AND REGULATIONS.</small>		

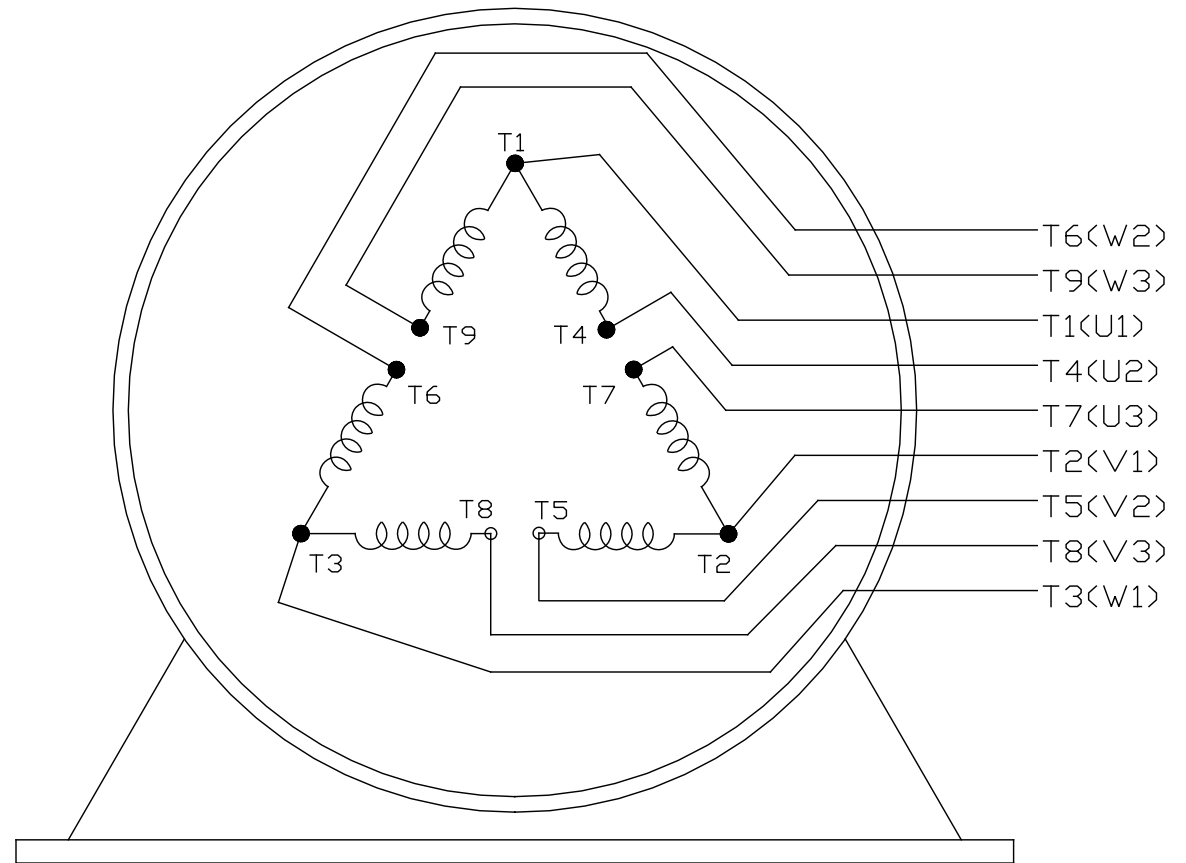
PRIMARY DIMENSIONS ARE INCH
mm DIMENSIONS IN [BRACKETS]
ARE FOR REFERENCE ONLY

DRAWN BY MR	REGAL ® Regal Beloit America, Inc.
DATE 4/5/2015	
APPROVED BY KRK	DESCRIPTION OUTLINE 254/256T FR-TEFC-CAST IRON
DATE 4/5/2015	MATERIAL PROCESS/FINISH
THIRD ANGLE PROJECTION	SIZE B
DRAWING NUMBER SS620703	SHEET 1 OF 1


LOW VOLTAGE



HIGH VOLTAGE



VIEW OF TERMINAL END

				TOLERANCES UNLESS SPECIFIED		 REGAL - BELOIT CORPORATION	DRAWN PGK 06-04-1997			
NO.	REVISION	BY & DATE	CHK	ANG	±		INCHES	CHK	ML 06-05-1997	
E	CORRECTED IEC MARKINGS ECD-0111208	WGJ 01-23-2017	EMH	DEC.						
D	RE-DRAWN WITH REGAL LOGO ECD-0110493	WGJ 09-30-2016	EMH	.X	±.1			APPD GK 06-15-1997		
8	ADDED IEC DESIGNATIONS MU95020	TJW 4/30/2010	MJS	.XX	±.02	TITLE	CONNECTION DIAGRAM			
7	REVISED HIGH VOLTAGE L2 WAS L3 CN52600-354	MRB 09-21-1998		.XXX	±.005	DELTA CON. - 3Ø - 9 LEADS		SCALE		
6	REDRAWN ON CADD	PGK 06-05-1997		.XXXX	±.0005	MAT'L.		REF		
					±7'30"	FINISH		FMF		
								PREV		
THIS DRAWING IN DESIGN AND DETAIL IS OUR PROPERTY AND MUST NOT BE USED EXCEPT IN CONNECTION WITH OUR WORK ALL RIGHTS OF DESIGN AND INVENTION ARE RESERVED THIS IS AN ELECTRONICALLY GENERATED DOCUMENT - DO NOT SCALE THIS PRINT						RFP	CAD FILE EE7308K	SIZE	DRAWING NO. PAGE OF	REV.
						DIST		A	EE7308K	E

CERTIFICATION DATA SHEET

Model#: 256TTFC6001 AA
CONN. DIAGRAM: A-EE7308K
OUTLINE: B-SS620703

WINDING#: HE31602007 NONE 2
ASSEMBLY: F1/F2 CAPABLE

TYPICAL MOTOR PERFORMANCE DATA

HP	KW	SYNC. RPM	F.L. RPM	FRAME	ENCLOSURE	KVA CODE	DESIGN
20&15	14.9&11.2	3600	3540&2945	256T	TEFC	G	B

PH	Hz	VOLTS	FL AMPS	START TYPE	DUTY	INSL	S.F	AMB°C	ELEVATION
3	60/50	230/460#190/ 380	47.5/23.7&43. 5/21.7	LINE OR INVERTER	CONTINUOU S	F7	1.15/1.15	40	3300

FULL LOAD EFF: 91&90.2	3/4 LOAD EFF: 91	1/2 LOAD EFF: 89.5	GTD. EFF	ELEC. TYPE	NO LOAD AMPS
FULL LOAD PF: 87.5&87	3/4 LOAD PF: 84	1/2 LOAD PF: 76.5	90.2	SQ CAGE INV RATED	16.2 / 8.1

F.L. TORQUE	LOCKED ROTOR AMPS	L.R. TORQUE	B.D. TORQUE	F.L. RISE°C
29.7 LB-FT	286 / 143	49 LB-FT 165	74 LB-FT 249	60

SOUND PRESSURE @ 3 FT.	SOUND POWER	ROTOR WK^2	MAX. WK^2	SAFE STALL TIME	STARTS /HOUR	APPROX. MOTOR WGT
72 dBA	82 dBA	1.35 LB-FT^2	- LB-FT^2	20 SEC.	2	435 LBS.

***** SUPPLEMENTAL INFORMATION *****

DE BRACKET TYPE	ODE BRACKET TYPE	MOUNT TYPE	ORIENTATION	SEVERE DUTY	HAZARDOUS LOCATION	DRIP COVER	SCREENS	PAINT
STANDARD	STANDARD	RIGID	HORIZONTAL	FALSE	NONE	FALSE	NONE	BLUE (ENAMEL)

BEARINGS		GREASE	SHAFT TYPE	SPECIAL DE	SPECIAL ODE	SHAFT MATERIAL	FRAME MATERIAL
DE	OPE						
BALL	BALL	POLYREX EM	T	NONE	NONE	1045 HOT ROLLED (C-204)	CAST IRON
6209	6209						

THERMO-PROTECTORS				THERMISTORS	CONTROL	SPACE /n HEATERS
THERMOSTATS	PROTECTORS	WDG RTDs	BRG RTDs			
NONE	NOT	NONE	NONE	NONE	FALSE	NONE VOLTS

If Inverter equals NONE, contact factory for further information

*
N
O
T
E
S
*

INVERTER TORQUE: VARIABLE 10:1 INV. HP SPEED RANGE: NONE
ENCODER: NONE NONE NONE NONE NONE PPR
BRAKE: NONE NONE NONE P/N NONE NONE NONE NONE FT-LB NONE V NONE Hz

DATE: 07/03/2017 03:31:04 AM
 FORM 3531 REV.3 02/07/99
 ** Subject to change without notice.

Data Sheet

256TTFC6001

Date: 8/28/2018
 Customer: _____
 Attention: _____
 Submitted by: FAREEDA DUDEKULA



Submittal

Data @ 460 V

Motor Load Data

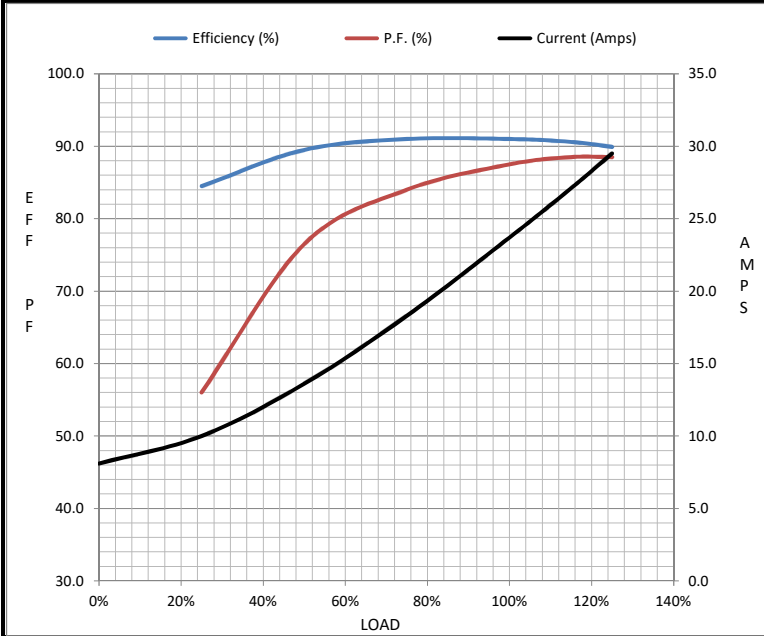
Load	0%	25%	50%	75%	100%	115%	125%	LR
Current (Amps)	8.1	10.0	13.6	18.3	23.7	27.1	29.5	143
Torque (ft-lb)	0.00	7.3	14.7	22.0	29.7	34.0	37.0	49.0
RPM	3600	3585	3570	3555	3540	3530	3522	0
Efficiency (%)		84.5	89.5	91.0	91.0	90.6	89.9	
P.F. (%)	9.0	56.0	76.5	84.0	87.5	88.5	88.5	38.0

Motor Speed Data

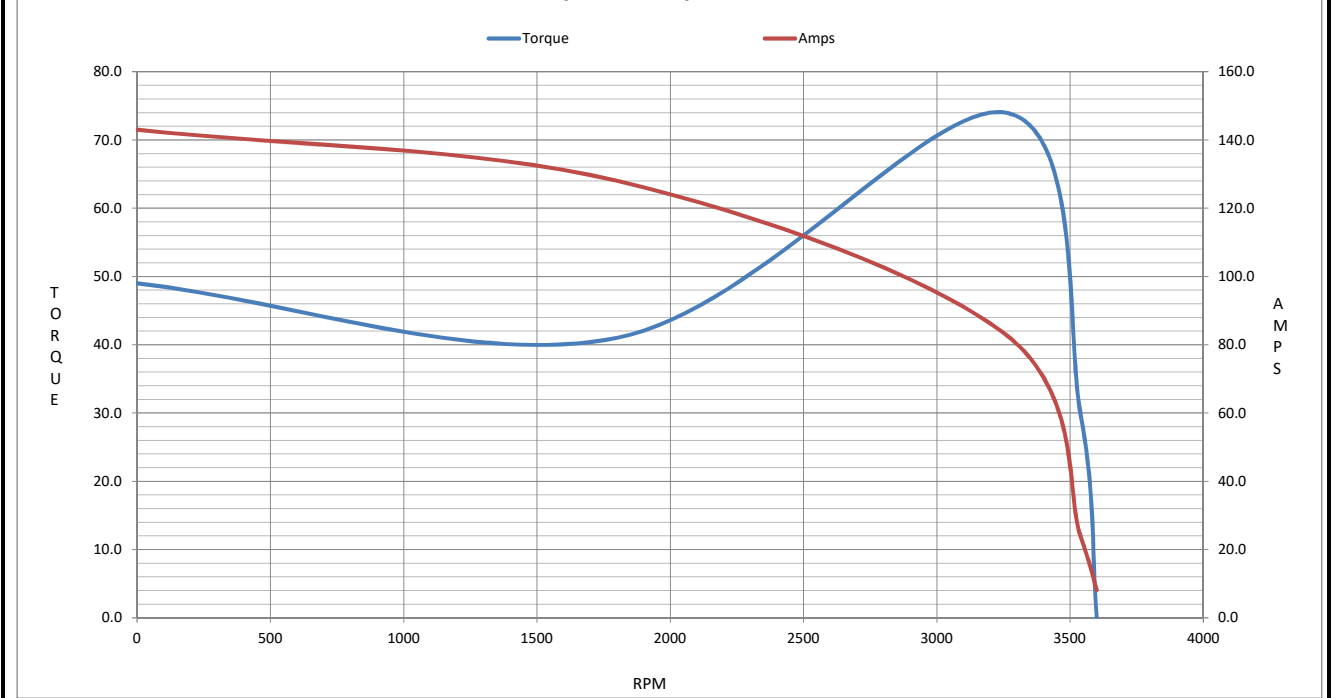
	LR	Pull-Up	BD	Rated	Idle
Speed (RPM)	0	1800	3258	3540	3600
Current (Amps)	143	128	83.0	23.7	8.1
Torque (ft-lb)	49.0	41.0	74.0	29.7	0.00

Information Block

HP	20.0			
Sync. RPM	3600			
Frame	256182TTFC6080			
Enclosure	TEFC			
Construction	TFC			
Voltage	230/460#190/380 V			
Frequency	60 Hz			
Design	B			
LR Code letter	G			
Service Factor	1.15			
Temp Rise @ FL	60 °C			
Duty	CONT			
Ambient	40 °C			
Elevation	1,000 feet			
Rotor/Shaft wk ²	1.35 Lb-Ft ²			
Ref Wdg	HE31602007 NONE			
Sound Pressure @ 1M	72 dBA			
VFD Rating	VARIABLE 10:1			
Outline Dwg	B-SS620703			
Conn. Diag	A-EE7308K			
Additional Specifications:				
0				
0				
EQUIV CKT (OHMS / PHASE)				
R1	R2	X1	X2	Xm
0.3620	0.1920	1.1220	0.9370	33.9380



Speed - Torque Curve



EC Declaration of Conformity

The undersigned representing
the manufacturer:

Regal Beloit America
100 East Randolph St.
Wausau, WI 54401

and the authorized representative
established within the Community:

Marathon Electric UK
6F Thistleton Road Ind. Estate
Market Overton
Oakham, Rutland LE15 7PP UK

are committed to providing customers with products that comply with applicable regulations and international protocols to which they are subject, including the requirements of the European Parliament Directive on the Harmonization of the laws relating to electrical equipment designed for use within certain voltage limits (2014/35/EU).

Regal Beloit America declares that the following product(s), to which this declaration relates, are in conformity with the relevant sections of the EC standards listed below.

This statement supersedes any statements previously issued pertaining to the product(s) listed below and is subject to change without notice.

Model No : 256TTFCD6001

(Model No. may contain prefix and/or suffix characters)

Catalog No : GT1024A

Rework No : N/A

Directives :

Low Voltage Directive 2014/35/EU

Harmonized Standards Used :

EN 60034-1: 2010 (IEC 60034-1: 2010)

EN 60034-5: 2001/A1:2007 (IEC 60034-5: 2000/A1:2006)

Authorized Representative:



Michael A. Logsdon
Vice President, Technology

Authorized Representative in the Community:



Julian Clark
Marketing Engineer

Created on 09/01/2022

CE 22